

VDPLDJBAR6

MINI LED PAR BATTEN – 16 X 3W

MINI LEDPAR BOVENLICHT – 16 X 3W

MINI HERSE À PAR LED – 16 X 3W

MINI JUEGO DE ILUMINACIÓN PAR LED – 16 X 3W

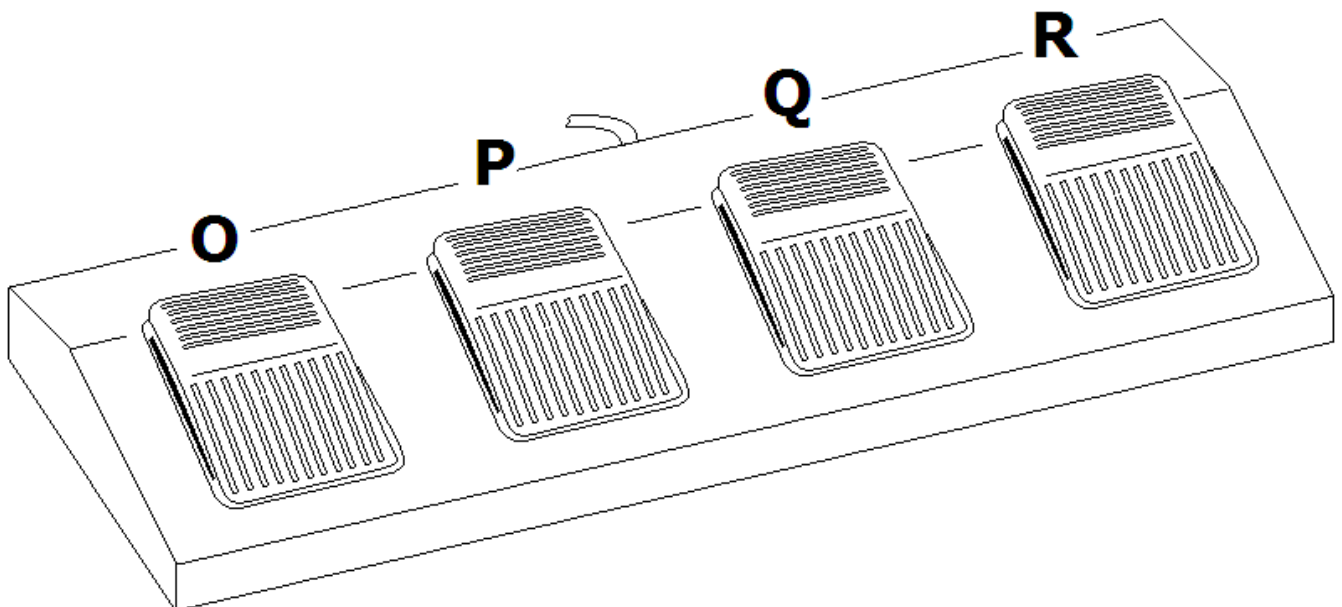
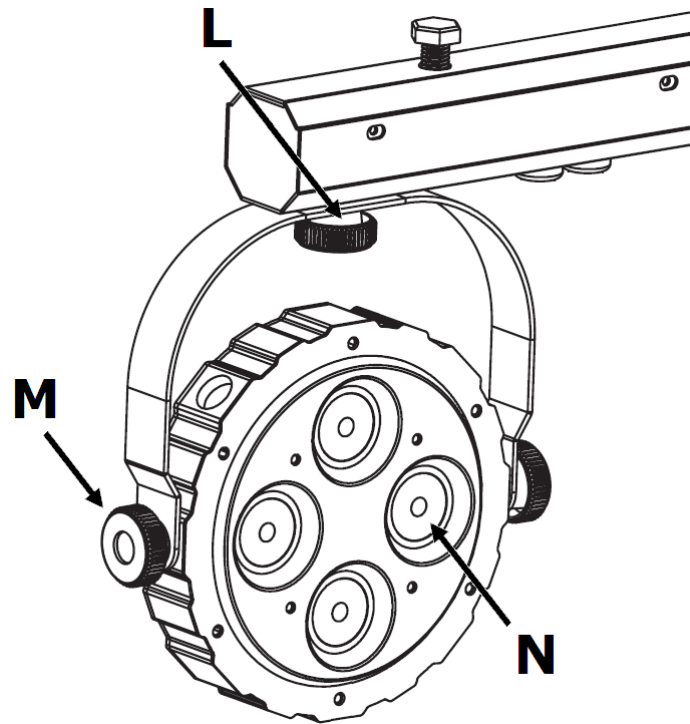
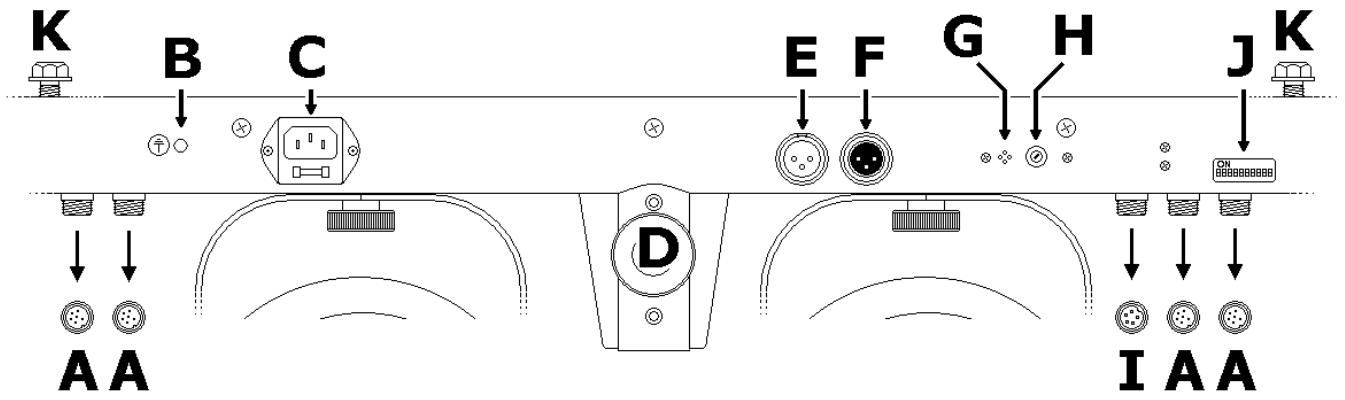
MINI-LEDPAR-LICHTEFFEKT-SET – 16 X 3W

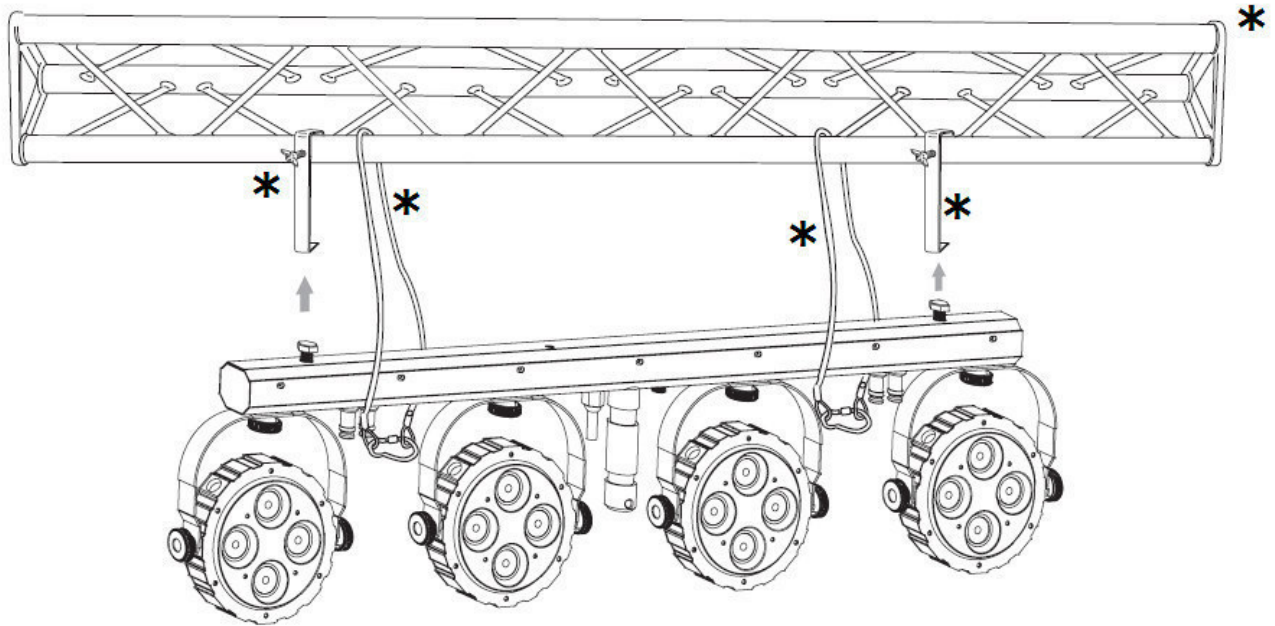
LED PAR MINI RAMPA SCENICZNA – 16 X 3W



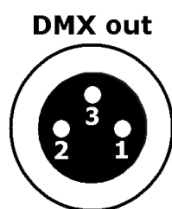
USER MANUAL	4
GEBRUIKERSHANDLEIDING	9
NOTICE D'EMPLOI	15
MANUAL DEL USUARIO	20
BEDIENUNGSANLEITUNG	25
INSTRUKCJA OBSŁUGI	31



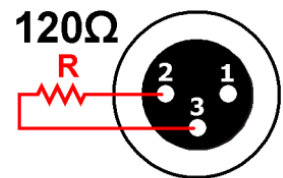




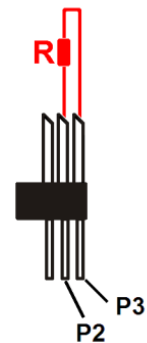
*: not inc. – niet meegelev. – non incl. – no incl. – nicht mitgeliefert – nie zał.



1 = GND
2 = SIG (-)
3 = SIG (+)



terminator
 eindweerstand
 résistance de terminaison
 terminación
 Terminierung
 terminator



How to turn the controller line from 3-pins into 5-pins (plug and socket).

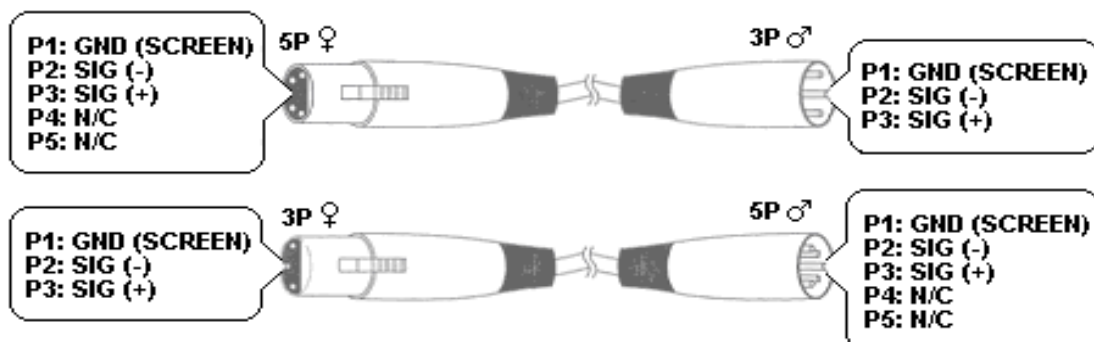
Controller line van 3-pin naar 5-pin aanpassen (stekker en contact).

Modifier la ligne du contrôleur de 3 broches en 5 broches (fiche et contact).

Modificar la línea del controlador de 3 polos y 5 polos (conector y contacto).

Die Controller-Linie von 3-Pin nach 5-Pin anzupassen (Stecker und Kontakt).

Zamiana złącza sterownika z 3 wtykami na złącze z 5 wtykami (wtyczka i gniazdo).



USER MANUAL

1. Introduction

To all residents of the European Union

Important environmental information about this product



This symbol on the device or the package indicates that disposal of the device after its lifecycle could harm the environment. Do not dispose of the unit (or batteries) as unsorted municipal waste; it should be taken to a specialized company for recycling. This device should be returned to your distributor or to a local recycling service. Respect the local environmental rules.

■ If in doubt, contact your local waste disposal authorities.

Thank you for choosing HQPower™! Please read the manual thoroughly before bringing this device into service. If the device was damaged in transit, don't install or use it and contact your dealer.

2. Safety Instructions

	Be very careful during the installation: touching live wires can cause life-threatening electroshocks.
	Always disconnect mains power when device not in use or when servicing or maintenance activities are performed. Handle the power cord by the plug only.
	Indoor use only. Keep this device away from rain, moisture, splashing and dripping liquids.
	Keep this device away from children and unauthorized users.
	Caution: device heats up during use.
	Do not stare directly at the light source , as this may cause <ul style="list-style-type: none"> • epileptic seizure in sensitive people • temporarily loss of sight (flash blindness) • permanent (irreversible) eye damage.
	There are no user-serviceable parts inside the device. Refer to an authorized dealer for service and/or spare parts.

- This device falls under protection class I. It is therefore essential that the device be earthed. Have a qualified person carry out the electric connection.
- Make sure that the available voltage does not exceed the voltage stated in the specifications of this manual.
- Do not crimp the power cord and protect it against damage. Have an authorised dealer replace it if necessary.
- Use an appropriate safety cable to fix the device (e.g. **VDLSC7** or **VDLSC8**).
- Install the **VDPLDJBAR6** at a minimal distance of 0.5 m from flammable and explosive objects or substances.
- Respect a minimum distance of 1m between the device's light output and any illuminated surface.

3. General Guidelines

Refer to the **Velleman® Service and Quality Warranty** on the last pages of this manual.

	Keep this device away from dust and extreme temperatures.
	Protect this device from shocks and abuse. Avoid brute force when operating the device.

- Familiarise yourself with the functions of the device before actually using it. Do not allow operation by unqualified people. Any damage that may occur will most probably be due to unprofessional use of the device.

- All modifications of the device are forbidden for safety reasons. Damage caused by user modifications to the device is not covered by the warranty.
- Only use the device for its intended purpose. All other uses may lead to short circuits, burns, electroshocks, lamp explosion, crash, etc. Using the device in an unauthorised way will void the warranty.
- Damage caused by disregard of certain guidelines in this manual is not covered by the warranty and the dealer will not accept responsibility for any ensuing defects or problems.
- A qualified technician should install and service this device.
- Do not switch the device on immediately after it has been exposed to changes in temperature. Protect the device against damage by leaving it switched off until it has reached room temperature.
- This device is designed for professional use on stage, in discos, theatres, etc. The **VDPLDJBAR6** should only be used indoors with an alternating current of 230 VAC/50 Hz.
- Lighting effects are not designed for permanent operation: regular operation breaks will prolong their lives.
- Keep this manual for future reference.

4. Features

- ultra-light weight: special for DJ and mobile use
- movable spots, per spot there are 4 tri-colour LEDs for a smooth colour mixing
- preprogrammed modes, with presets for colours and RGB programs
- auto mode speed adjustable, and built-in microphone for sound activation
- easy control via included foot pedal, with black-out function.

5. Overview

Refer to the illustrations on pages **2** and **3** of this manual.

A	connector for LED spot (4x)	J	DIP switch
B	earth terminal	K	mounting points
C	power socket + fuse	L	horizontal fixing knob
D	tripod securing knob	M	vertical fixing knob (2 per spot)
E	DMX input	N	LEDs (4 per spot)
F	DMX output	O	program selection pedal
G	microphone	P	sound control pedal
H	microphone sensitivity control knob	Q	freeze pedal
I	connector for footswitch	R	blackout pedal

6. Mounting instructions

6.1 Choosing a Mounting Location



The **VDPLDJBAR6** batten has been designed for indoor environments at temperatures up to 40°C. For proper operation, the unit must be operated with an unobstructed air convection to its metal housing.

Do not:

- Operate the batten in environments with an ambient temperature higher than 40°C and a relative humidity higher than 75%.
- Operate the batten in a closed environment smaller than 10 m³ unless forced air convection is provided.

6.2 Secure Mounting



Risk of injury. Overhead mounting requires extensive experience: calculating workload limits, determining the installation material to be used... Have the material and the device itself checked regularly. Do not attempt to install the device yourself if you lack these qualifications as improper installation may result in injuries.

The **VDPLDJBAR6** batten is designed to be mounted either on a tripod (not incl.) or on a truss (not incl.) using 2 truss clamps (not incl.).

Tripod:

- Carefully follow the instructions that came with your tripod.
- Make sure that the diameter of the inserted tripod tube is not less than 25 mm as otherwise secure mounting cannot be guaranteed.

- Slide the **VDPLDJBAR6** over the tripod and secure it tightly by turning the knob **[D]** clockwise.

Truss mounting:

- Have the batten installed by a qualified person, respecting EN 60598-2-17 and all other applicable norms.
- The carrying construction must be able to support 10 times the weight of the batten for 1 hour without deforming.
- Remove both bolts **[K]** from the batten and replace them by 2 truss clamps (not incl.).
Note: ALWAYS mount the batten with two clamps!
- The installation must always be secured with a secondary attachment e.g. a safety cable.
- Never stand directly below the batten when it is being mounted, removed or serviced. Have a qualified technician check the batten once a year and once before you bring it into service.
- Install the batten in a location with few passers-by that is inaccessible to unauthorised persons.
- Make sure there is no flammable material within a 0.5 m radius of the batten.
- The installation has to be approved by an expert before the device is taken into service.

4-way footswitch:

Connect the footswitch to the light fixture **[I]**.

6.3 DMX-512 connection

Refer to the illustrations on page **3** of this manual.

- When applicable, connect an XLR cable to the female 3-pin XLR output of a controller (not incl.) and the other side to the male 3-pin XLR input **[E]** of the **VDPLDJBAR6**. Multiple **VDPLDJBAR6**s can be linked through serial linking. The linking cable should be a dual core, screened cable with XLR input and output connectors.
- A DMX terminator is recommended for installations where the DMX cable has to run a long distance or is in an electrically noisy environment (e.g. discos). The terminator prevents corruption of the digital control signal by electrical noise. The DMX terminator is simply an XLR plug with a 120Ω resistor between pins 2 and 3, which is then plugged into the XLR output socket **[F]** of the last device in the chain.

6.4 Connection to the AC Power Supply



The AC socket providing power to the **VDPLDJBAR6** batten must be properly and separately earthed. Do not use any other AC cords than the one provided or any other AC cord not authorized by the manufacturer.

- Have a qualified electrician carry out the electric connection.
- Connect the batten to the mains with the power plug **[C]**. Make sure the used mains circuit is protected by a 30mA Residual Current Device (RCD). Do not connect it to a dimming pack.
- Replace a blown fuse only with an identical fuse (F2A/250V).

7. Operation

Refer to the illustrations on page **2** of this manual.

The **VDPLDJBAR6** can operate in five modes: **sound controlled, automatic mode, master/slave mode, DMX controlled mode or foot switch mode.**

Sound controlled mode

- Set DIP switch 10 to the OFF-position to enable sound controlled mode.



- Set the microphone **[G]** sensitivity with the sensitivity knob **[H]**.

Automatic mode

- Set DIP switch 9 to the ON-position and DIP switch 10 to the OFF-position to enable automatic mode.
- Set the program speed with switches 1 to 3.

Master/slave mode

- Connect multiple **VDPLDJBAR6**'s as described in **§6**.
- Set the master **VDPLDJBAR6** to sound controlled or automatic mode.
- Set DIP switch 1 and 10 on the slaves to ON to enable slave mode.

DMX controlled mode

- Set DIP switch 10 to the ON-position to enable DMX controlled mode.
- All DMX-controlled devices need a digital start address so that the correct device responds to the signals. This digital start address is the channel number from which the device starts to “listen” to the DMX controller. The same starting address can be used for a whole group of devices or an individual address can be set for every device.
- When all devices have the same address, all the units will “listen” to the control signal on one particular channel. In other words: changing the settings of one channel will affect all devices simultaneously. If you set individual addresses, each device will “listen” to a separate channel number. Changing the settings of one channel will only affect the device in question.
- In case of the 15-channel **VDPLDJBAR6**, you will have to set the start address of the first unit to 1 (CH1~15), the second unit to 16 (1 + 15) (CH16~30), the third to 31 (16 + 15) (CH31~45), and so on.
- Use the DIP switches to set the appropriate DMX address.



switch	1	2	3	4	5	6	7	8	9
value	1	2	4	8	16	32	64	128	256

- Refer to the table below for an overview of the control signals per channel.

Channel	Function	DMX-512 value	Control Programs
CH1	auto programs	000 ~ 009	off
		010 ~ 029	Program 1
		030 ~ 049	Program 2
		050 ~ 069	Program 3
		070 ~ 089	Program 4
		090 ~ 109	Program 5
		110 ~ 129	Program 6
		130 ~ 149	Program 7
		150 ~ 169	Program 8
		170 ~ 189	Program 9
		190 ~ 209	Program 10
		210 ~ 229	Program 11
		230 ~ 249	Auto mode, internal programs
250 ~ 255	sound controlled mode		
CH2	master dimmer	no function when CH1 or CH3 active	
		000 ~ 000	off
		001 ~ 255	dimming 0 ~ 100%
CH3	strobe	000 ~ 000	off
		001 ~ 255	flash from slow to fast
CH4	spot1	000 ~255	red dimming from 0 ~ 100%
CH5	spot1	000 ~255	green dimming from 0 ~ 100%
CH6	spot1	000 ~255	blue dimming from 0 ~ 100%
CH7	spot2	000 ~255	red dimming from 0 ~ 100%
CH8	spot2	000 ~255	green dimming from 0 ~ 100%
CH9	spot2	000 ~255	blue dimming from 0 ~ 100%
CH10	spot3	000 ~255	red dimming from 0 ~ 100%
CH11	spot3	000 ~255	green dimming from 0 ~ 100%
CH12	spot3	000 ~255	blue dimming from 0 ~ 100%
CH13	spot4	000 ~255	red dimming from 0 ~ 100%
CH14	spot4	000 ~255	green dimming from 0 ~ 100%
CH15	spot4	000 ~255	blue dimming from 0 ~ 100%

Foot controller

Note: the foot controller will only work when the **VDPLDJBAR6** is set to automatic or sound controlled mode.

Unplug the power cord from the **VDPLDJBAR6** and connect the foot controller to the foot controller jack **[I]**.
Reconnect the power cord.

Foot controller functions:

pedal 1 (O)	preset	Press to select a built-in program.	
		1x	white
		2x	red
		3x	green
		4x	blue
		5x	yellow
		6x	violet
		7x	cyan
		8x	colour change every second, continuous loop
9x	colour fade every 3 seconds, continuous loop		
pedal 2 (P)	sound controlled	press to enter sound controlled mode press pedal 1 to quit sound controlled mode	
pedal 3 (Q)	freeze	hold chasing programs (8 & 9)	
pedal 4 (R)	black out	Press at any time to switch off all LEDs. Press again to return to previous setting. Hold for strobe function.	

8. Cleaning and Maintenance

- All screws should be tightened and free of corrosion.
- The housing, visible parts, mounting supports and the installation location (e.g. ceiling, suspension, trussing) should not be deformed, modified or tampered with e.g. do not drill extra holes in mounting supports, do not change the location of the connections.
- Moving mechanic parts must not show any signs of wear and tear.
- The electric power supply cables must not show any damage. Have a qualified technician maintain the device.
- Disconnect the device from the mains prior to maintenance activities.
- Wipe the device regularly with a moist, lint-free cloth. Do not use alcohol or solvents.
- There are no user-serviceable parts.
- Contact your dealer for spare parts if necessary.

9. Technical Specifications

power supply	230VAC ~ 50Hz
fuse	F2A/250V
power consumption	50W
LED	16 x 3W tri-colour LEDs
beam angle	15°
dimensions	950 x 45 x 230mm
total weight	6kg

Use this device with original accessories only. Velleman nv cannot be held responsible in the event of damage or injury resulted from (incorrect) use of this device.

For more info concerning this product and the latest version of this manual, please visit our website www.hqpower.eu.

The information in this manual is subject to change without prior notice.

© COPYRIGHT NOTICE

The copyright to this manual is owned by Velleman nv. All worldwide rights reserved.

No part of this manual may be copied, reproduced, translated or reduced to any electronic medium or otherwise without the prior written consent of the copyright holder.

GEBRUIKERSHANDLEIDING

1. Inleiding

Aan alle ingezetenen van de Europese Unie

Belangrijke milieu-informatie betreffende dit product



Dit symbool op het toestel of de verpakking geeft aan dat, als het na zijn levenscyclus wordt weggeworpen, dit toestel schade kan toebrengen aan het milieu. Gooi dit toestel (en eventuele batterijen) niet bij het gewone huishoudelijke afval; het moet bij een gespecialiseerd bedrijf terechtkomen voor recycling. U moet dit toestel naar uw verdeler of naar een lokaal recyclingepunt brengen. Respecteer de plaatselijke milieuwetgeving.

Hebt u vragen, contacteer dan de plaatselijke autoriteiten betreffend de verwijdering.

Dank u voor uw aankoop! Lees deze handleiding grondig voor u het toestel in gebruik neemt. Werd het toestel beschadigd tijdens het transport, installeer het dan niet en raadpleeg uw dealer.

2. Veiligheidsinstructies

	Wees voorzichtig bij de installatie: raak geen kabels aan die onder stroom staan om dodelijke elektroshocks te vermijden.
	Trek de stekker uit het stopcontact (trek niet aan de kabel!) voordat u het toestel reinigt en als u het niet gebruikt.
	Gebruik het toestel enkel binnenshuis . Bescherm tegen regen, vochtigheid en opspattende vloeistoffen.
	Houd buiten het bereik van kinderen en onbevoegden.
	Let op: dit toestel wordt zeer warm tijdens het gebruik.
	Kijk niet rechtstreeks in de lichtbron om <ul style="list-style-type: none"> • epilepsieaanvallen bij gevoelige personen • tijdelijke blindheid (flitsblindheid) • permanente en onherroepelijke schade aan de ogen te voorkomen.
	Er zijn geen door de gebruiker vervangbare onderdelen in dit toestel. Voor onderhoud of reserveonderdelen, contacteer uw dealer.

- Dit toestel valt onder beschermingsklasse I, wat wil zeggen dat het toestel geaard moet zijn. Een geschoolde technicus moet de elektrische aansluiting verzorgen.
- De beschikbare netspanning mag niet hoger zijn dan de spanning in de specificaties achteraan de handleiding.
- De voedingskabel mag niet beschadigd zijn of ingekort worden. Laat uw dealer zo nodig een nieuwe kabel plaatsen.
- Maak het toestel vast met een geschikte veiligheidskabel (bv. **VDLSC7** of **VDLSC8**).
- Installeer het toestel op een minimumafstand van 0,5 m van ontvlambare en explosieve voorwerpen of stoffen.
- Zorg voor een minimumafstand van 1 m tussen de lichtuitgang van het toestel en het belichte oppervlak.

3. Algemene richtlijnen

Raadpleeg de **Velleman® service- en kwaliteitsgarantie** achteraan deze handleiding.

	Bescherm tegen stof en extreme temperaturen.
	Bescherm tegen schokken. Vermijd brute kracht tijdens de bediening.

- Leer eerst de functies van het toestel kennen voor u het gaat gebruiken. Ongeschoolde personen mogen dit toestel niet gebruiken. Meestal is beschadiging het gevolg van onprofessioneel gebruik.
- Om veiligheidsredenen mag u geen wijzigingen aanbrengen. Schade door wijzigingen die de gebruiker heeft aangebracht valt niet onder de garantie.
- Gebruik het toestel enkel waarvoor het gemaakt is. Andere toepassingen kunnen leiden tot kortsluitingen, brandwonden, elektrische schokken, enz. Bij onoordeelkundig gebruik vervalt de garantie.
- De garantie geldt niet voor schade door het negeren van bepaalde richtlijnen in deze handleiding en uw dealer zal de verantwoordelijkheid afwijzen voor defecten of problemen die hier rechtstreeks verband mee houden.
- Laat dit toestel installeren en onderhouden door een geschoolde technicus.
- Om beschadiging te vermijden, zet u het toestel best niet aan onmiddellijk nadat het werd blootgesteld aan temperatuurschommelingen. Wacht tot het toestel op kamertemperatuur gekomen is.
- Dit toestel is ontworpen voor professioneel gebruik op podia, in disco's, enz. U mag dit toestel enkel binnenshuis gebruiken en aansluiten op een wisselspanning van 230 VAC/50 Hz.
- Lichteffecten zijn niet ontworpen voor continue werking: regelmatige onderbrekingen doen ze langer meegaan.
- Bewaar deze handleiding voor verdere raadpleging.

4. Eigenschappen

- uiterst licht: speciaal voor dj's en mobiel gebruik
- richtbare spots, per spot zijn er 4 driekleurige LEDS voor vloeiende kleurovergangen
- voorgeprogrammeerde modi, met ingestelde kleurwaardes en RGB programma's
- snelheid automodus instelbaar, en ingebouwde microfoon voor geluidssturing
- eenvoudige bediening via meegeleverde voetpedaal, met 'black out' (alles uit) functie.

5. Omschrijving

Raadpleeg de afbeeldingen op pagina's **2** en **3** van deze handleiding.

A	aansluiting voor led spot (4x)	J	DIP- schakelaar
B	aansluiting aarding	K	montagepunten
C	aansluiting stroomkabel + zekering	L	horizontale positieknoop
D	beveiligingsknop statief	M	verticale positieknoop (2 per spot)
E	DMX ingang	N	leds (4 per spot)
F	DMX uitgang	O	voetpedaal programmaselectie
G	microfoon	P	voetpedaal muzieksturing
H	gevoeligheidsregeling microfoon	Q	voetpedaal freeze
I	aansluiting voor voetpedaal	R	black-out voetpedaal (alle leds uit)

6. Voorbereiding

6.1 Keuze van de montageplaats



De **VDPLDJBAR6** werd ontworpen voor gebruik binnenshuis aan temperaturen lager dan 40°C. Voorzie een aangepaste ventilatie en richt deze naar de metalen behuizing van de spots.

Het is niet aan te raden om:

- De spots te gebruiken in een omgeving met een omgevingstemperatuur hoger dan 40°C en een relatieve vochtigheid hoger dan 75%.
- De spots te gebruiken in een ruimte kleiner dan 10 m³ tenzij er ventilatie is voorzien.

6.2 Montage



Gevaar voor verwondingen. Een degelijke praktijkervaring is vereist voor de plaatsing van dit toestel. U moet de maximumbelasting van de draagconstructie kunnen berekenen, weten welk constructiemateriaal u kunt gebruiken en u moet het gebruikte materiaal en het toestel af en toe laten nakijken. Monteer het toestel niet zelf indien u er geen ervaring mee heeft. Een slechte montage kan leiden tot verwondingen.

Monteer de **VDPLDJBAR6** op een statief (niet meegelev.) of aan een draagstructuur (truss, niet meegelev.) met behulp van twee trussklemmen (niet meegelev.).

Statief:

- Volg nauwlettend de instructies die bij het statief werden meegeleverd.
- Zorg ervoor dat de diameter van de statiefbuis minstens 25 mm bedraagt om een goede bevestiging te garanderen.
- Plaats de **VDPLDJBAR6** op het statief en draai de beveiligingsknop **[D]** stevig aan (rechtsom).

Montage aan draagstructuur:

- Laat een geschoolde technicus dit toestel installeren conform EN 60598-2-17 en andere toepasselijke normen.
- De constructie waaraan het toestel wordt bevestigd, moet gedurende 1 uur 10 x het gewicht van dit toestel kunnen dragen zonder te vervormen.
- Verwijder beide bouten **[K]** uit de drager en vervang ze door twee trussklemmen (niet meegelev.).
Opmerking: monteer de **VDPLDJBAR6** **ALTIJD** met twee klemmen.
- Maak het toestel ook vast met een veiligheidskabel.
- Sta nooit recht onder het toestel wanneer u het monteert, verwijdert of schoonveegt. Laat het toestel controleren door een geschoolde technicus voor u het in gebruik neemt en laat het 1 x per jaar volledig nakijken.
- Installeer dit toestel op een plaats waar niemand langs moet lopen, kan neerzitten of het toestel kan aanraken.
- Verwijder alle brandbaar materiaal in een straal van 0,5 m rond het toestel.
- De installatie moet voor het eerste gebruik gekeurd worden door een expert.

4-wegs voetpedaal:

Sluit de voetpedaal aan op de draagbalk **[I]**.

6.3 DMX512-aansluiting

Raadpleeg de afbeeldingen op pagina **3** van deze handleiding.

- Indien van toepassing, sluit een XLR-kabel aan de vrouwelijke 3-pin XLR-uitgang van een controller (niet meegelev.) en de andere kant van de mannelijke 3-pin XLR-ingang **[E]** van de **VDPLDJBAR6**. U kunt verscheidene **VDPLDJBAR6**'s aan elkaar koppelen met behulp van een seriële koppeling. Gebruik daarvoor een 2-aderige afgeschermde kabel met XLR ingang- en uitgangsaansluitingen.
- Een DMX eindweerstand is aanbevolen als de DMX-kabel vrij lang is of wordt gebruikt in een omgeving met veel elektrische ruis (bv. een discotheek). De eindweerstand voorkomt corruptie van het digitale controlesignaal door elektrische ruis. De DMX eindweerstand is niets meer dan een XLR-stekker met een weerstand van 120 Ω van pin 2 naar 3. Deze XLR-stekker wordt dan aangesloten op de XLR-uitgang **[F]** van het laatste toestel in de reeks.

6.4 Aansluiting op het voedingsnet

Koppel de spot aan een afzonderlijk geaard stopcontact. Gebruik geen andere voedingskabel dan deze meegeleverd met de spot of een voedingskabel die niet door de fabrikant werd goedgekeurd.

- Een geschoolde elektricien moet het toestel aansluiten.
- Sluit het toestel via de stekker **[C]** aan op het lichtnet. Zorg dat het gebruikte voedingscircuit beveiligd is met een aardlekschakelaar van 30 mA. Sluit het niet aan op een dimmerpack.
- Vervang een opgeblazen zekering enkel door een identieke zekering (F2A/250V).

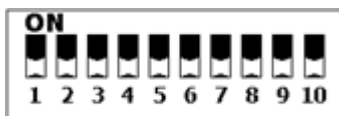
7. Gebruik

Raadpleeg de afbeeldingen op pagina **2** van deze handleiding.

De **VDPLDJBAR6** beschikt over vijf aanstuurfuncties: **muzieksturing**, **automatische sturing**, **master/slavefunctie**, **DMX-** of **voetpedaalsturing**.

Muzieksturing

1. Plaats DIP-schakelaar 10 in de OFF-stand om de muzieksturing in te schakelen.



2. Regel de gevoeligheid van de microfoon **[G]** met de instelknop **[H]**.

Automatische sturing

1. Plaats DIP-schakelaar 9 in de ON-stand en DIP-schakelaar 10 in de OFF-stand om de automatische sturing in te schakelen.
2. Stel de programmasnelheid in met DIP-schakelaars 1 tot 3.

Master/slavefunctie

1. Koppel meerdere **VDPLDJBAR6**'s zoals omschreven onder **§6**.
2. Schakel de muziek- of automatische sturing in op het mastertoestel.
3. Plaats DIP-schakelaar 1 en 10 op de slaves op ON om de slavefunctie in te schakelen.

DMX-sturing

- Plaats DIP-schakelaar 10 op ON om de DMX-sturing in te schakelen.
- Alle DMX-gestuurde toestellen hebben een digitaal startadres nodig, zodat het juiste toestel reageert op de signalen. Dit digitale startadres is het kanaalnummer van waarop het toestel 'luistert' naar het signaal van de DMX-controller. U kunt één enkel startadres gebruiken voor een groep toestellen of u kunt per toestel een nieuw startadres ingeven.
- Wanneer u een enkel startadres instelt, zullen alle toestellen 'luisteren' naar hetzelfde kanaal. Met andere woorden: wanneer u de instellingen voor 1 kanaal verandert, zullen alle toestellen er tegelijk op reageren. Wanneer u verschillende adressen instelt, dan luistert elk toestel naar een ander kanaal. Met andere woorden: wanneer u de instellingen van een kanaal verandert, zal enkel het toestel op dat kanaal reageren.
- In het geval van de 15-kanaals **VDPLDJBAR6**, zult u het startadres van het eerste toestel op 1 (CH1~15) moeten instellen, van het tweede toestel op 16 (1 + 15) (CH16~30), van het derde op 31 (16+ 15) (CH31~45), enz.
- Stel het startadres in met behulp van DIP-schakelaars 1 tot 9 (binair).



DIP-schakelaar	1	2	3	4	5	6	7	8	9
waarde	1	2	4	8	16	32	64	128	256

- Raadpleeg de tabel hieronder voor een overzicht van de signalen per kanaal.

kanaal	functie	DMX512-waarde	omschrijving
CH1	auto programs	000 ~ 009	off
		010 ~ 029	programma 1
		030 ~ 049	programma 2
		050 ~ 069	programma 3
		070 ~ 089	programma 4
		090 ~ 109	programma 5
		110 ~ 129	programma 6
		130 ~ 149	programma 7
		150 ~ 169	programma 8
		170 ~ 189	programma 9
		190 ~ 209	programma 10
		210 ~ 229	programma 11
		230 ~ 249	auto mode, interne programma's
250 ~ 255	muziekgestuurde modus		
CH2	master dimmer	Niet van toepassing als CH1 of CH3 geselecteerd zijn	
		000 ~ 000	off
		001 ~ 255	dimmen 0 ~ 100%
CH3	stroboscoop	000 ~ 000	off
		001 ~ 255	flash van traag naar snel
CH4	spot1	000 ~255	rood dimmen van 0 ~ 100%
CH5	spot1	000 ~255	groen dimmen van 0 ~ 100%
CH6	spot1	000 ~255	blauw dimmen van 0 ~ 100%
CH7	spot2	000 ~255	rood dimmen van 0 ~ 100%
CH8	spot2	000 ~255	groen dimmen van 0 ~ 100%
CH9	spot2	000 ~255	blauw dimmen van 0 ~ 100%
CH10	spot3	000 ~255	rood dimmen van 0 ~ 100%

kanaal	functie	DMX512-waarde	omschrijving
CH11	spot3	000 ~255	groen dimmen van 0 ~ 100%
CH12	spot3	000 ~255	blauw dimmen van 0 ~ 100%
CH13	spot4	000 ~255	rood dimmen van 0 ~ 100%
CH14	spot4	000 ~255	groen dimmen van 0 ~ 100%
CH15	spot4	000 ~255	blauw dimmen van 0 ~ 100%

Voetpedaal

Opmerking: Het voetpedaal functioneert enkel indien de automatische of muzieksturing geselecteerd is.

Ontkoppel de voedingsstekker en koppel het voetpedaal aan de ingang **[I]**. Steek de voedingsstekker terug in het stopcontact.

Functies:

pedaal 1 (O)	vooraf ingesteld	Duwen om een ingebouwd programma te selecteren.	
		1x	wit
		2x	rood
		3x	groen
		4x	blauw
		5x	geel
		6x	violet
		7x	cyaan
		8x	kleurverandering om de seconde, doorlopende lus
9x	kleurenovergang om de 3 seconden, doorlopende lus		
pedaal 2 (P)	muzieksturing	duwen om in muziekgestuurde modus te gaan duwen op pedaal 1 om de muziekgestuurde modus te verlaten	
pedaal 3 (Q)	functie 'freeze'	stopzetten van chaser programma's (8 & 9)	
pedaal 4 (R)	functie 'black out'	Duwen om de leds uit te schakelen. Opnieuw duwen om terug te keren naar de vorige instellingen. Ingedrukt houden voor stroboscoopeffect	

8. Reiniging en onderhoud

- Alle gebruikte schroeven moeten goed zijn aangespannen en mogen geen sporen van roest vertonen.
- De behuizing, de lenzen, de montagebeugels en de montageplaats (bv. het plafond of het gebinte) mogen niet vervormd zijn of aangepast worden (geen extra gaten in montagebeugels, aansluitingen niet verplaatsen, enz.)
- Mechanisch bewegende delen mogen geen sporen van slijtage vertonen en mogen niet onregelmatig bewegen.
- De voedingskabels mogen niet beschadigd zijn. Laat het toestel onderhouden door een geschoolde technicus.
- Ontkoppel het toestel van het lichtnet voor u aan onderhoudswerkzaamheden begint.
- Maak het toestel geregeld schoon met een vochtige, niet pluizende doek. Gebruik geen alcohol of solvent.
- De gebruiker mag geen onderdelen vervangen.
- Bestel eventuele reserveonderdelen bij uw dealer.

9. Technische specificaties

voeding	230VAC ~ 50Hz
zekering	F2A/250V
verbruik	50W
leds	16 x 3W driekleurige leds
stralingshoek	15°
afmetingen	950 x 45 x 230mm
gewicht	6kg

Gebruik dit toestel enkel met originele accessoires. Velleman nv is niet aansprakelijk voor schade of kwetsuren bij (verkeerd) gebruik van dit toestel.

Voor meer informatie over dit product en de laatste versie van deze handleiding, zie www.hqpower.eu.

De informatie in deze handleiding kan te allen tijde worden gewijzigd zonder voorafgaande kennisgeving.

© AUTEURSRECHT

Velleman nv heeft het auteursrecht voor deze handleiding. Alle wereldwijde rechten voorbehouden.

Het is niet toegestaan om deze handleiding of gedeelten ervan over te nemen, te kopiëren, te vertalen, te bewerken en op te slaan op een elektronisch medium zonder voorafgaande schriftelijke toestemming van de rechthebbende.

NOTICE D'EMPLOI

1. Introduction

Aux résidents de l'Union européenne

Des informations environnementales importantes concernant ce produit



Ce symbole sur l'appareil ou l'emballage indique que l'élimination d'un appareil en fin de vie peut polluer l'environnement. Ne pas jeter un appareil électrique ou électronique (et des piles éventuelles) parmi les déchets municipaux non sujets au tri sélectif ; une déchèterie traitera l'appareil en question. Renvoyer les équipements usagés à votre fournisseur ou à un service de recyclage local. Il convient de respecter la réglementation locale relative à la protection de l'environnement.

En cas de questions, contacter les autorités locales pour élimination.

Nous vous remercions de votre achat ! Lire la présente notice attentivement avant la mise en service de l'appareil. Si l'appareil a été endommagé pendant le transport, ne pas l'installer et consulter votre revendeur.

2. Consignes de sécurité

	Être prudent lors de l'installation : toucher un câble sous tension peut causer des électrochocs mortels.
	Débrancher l'appareil s'il n'est pas utilisé ou pour le nettoyer. Tirer la fiche pour débrancher l'appareil ; non pas le câble.
	Utiliser cet appareil uniquement à l'intérieur . Protéger de la pluie, de l'humidité et des projections d'eau.
	Garder hors de la portée des enfants et des personnes non autorisées.
	Attention : le boîtier du spot chauffe pendant l'usage.
	Ne pas regarder directement dans la source lumineuse afin d'éviter les risques <ul style="list-style-type: none"> • de crise d'épilepsie chez les personnes sujettes • d'aveuglement temporaire (aveuglement par éclair) • d'endommagement permanent et irréversible de l'œil.
	Il n'y a aucune pièce maintenable par l'utilisateur. Commander des pièces de rechange éventuelles chez votre revendeur.

- Cet appareil ressort à la classe de protection I, ce qui implique que l'appareil doit être mis à la terre. Un technicien qualifié doit établir la connexion électrique.
- La tension réseau ne peut pas dépasser la tension mentionnée dans les spécifications à la fin de cette notice.
- Le câble d'alimentation ne peut pas être replissé ou endommagé. Demander à votre revendeur de renouveler le câble d'alimentation si nécessaire.
- Fixer l'appareil à l'aide d'un câble de sécurité adéquat (p.ex. **VDLSC7** ou **VDLSC8**).
- Installer le **VDPLDJBAR6** à une distance minimale de 0,5 m de tout objet ou produit inflammable ou explosif.
- Respecter une distance minimum de 1 m entre la sortie lumière de l'appareil et la surface illuminée.

3. Directives générales

Se référer à la **garantie de service et de qualité Velleman®** en fin de notice.

	Protéger contre la poussière. Protéger contre la chaleur extrême.
	Protéger contre les chocs et le traiter avec circonspection pendant l'opération.

- Se familiariser avec le fonctionnement de l'appareil avant de l'utiliser. Ne pas permettre pas aux personnes non qualifiées d'opérer cet appareil. La plupart des dégâts sont causés par un usage non professionnel.

- Toute modification est interdite pour des raisons de sécurité. Les dommages occasionnés par des modifications par le client ne tombent pas sous la garantie.
- N'utiliser le spot qu'à sa fonction prévue. Tout autre usage peut causer des courts-circuits, des brûlures, des électrochocs, etc. Un usage impropre annule d'office la garantie.
- La garantie ne s'applique pas aux dommages survenus en négligeant certaines directives de cette notice et votre revendeur déclinera toute responsabilité pour les problèmes et les défauts qui en résultent.
- Confier l'installation et l'entretien à un personnel qualifié.
- Ne pas brancher l'appareil après exposition à des variations de température. Afin d'éviter des dommages, attendre jusqu'à ce que l'appareil ait atteint la température ambiante avant de l'utiliser.
- Cet appareil a été développé pour usage professionnel dans des discothèques, des théâtres, etc. Employer cet appareil à l'intérieur et le connecter à une source de courant CA de 230 VCA/50 Hz.
- Un effet lumineux n'est pas conçu pour une opération continue. Des pauses régulières prolongeront sa vie.
- Garder cette notice pour toute référence ultérieure.

4. Caractéristiques

- très léger : conçu spécialement pour DJ et usage mobile
- spots orientables, chaque spot est prévu de 4 LED tricolores pour une transition de couleurs aisée
- modes préprogrammés, avec des valeurs de couleurs préprogrammées et des programmes RGB
- vitesse du mode automatique ajustable , microphone incorporé pour le pilotage de la musique
- utilisation facile grâce au pédalier livré, avec fonction 'black out' (tout éteint).

5. Description

Voir illustrations page 2 et 3 de ce mode d'emploi.

A	connexion pour spot à LED (4x)	J	interrupteur DIP
B	connexion à la terre	K	points de montage
C	connexion pour câble conducteur + fusible	L	bouton de positionnement horizontal
D	bouton moleté du trépied	M	bouton de positionnement vertical (2 par spot)
E	entrée DMX	N	LED (4 par spot)
F	sortie DMX	O	pédalier sélection de programme
G	microphone	P	pédalier pour le pilotage de son
H	réglage de la sensibilité du microphone	Q	pédalier avec fonction 'freeze'
I	connexion pour pédalier	R	pédalier avec fonction 'black out'

6. Préparation

6.1 Choix d'un emplacement de montage



Les spots ont été conçus pour une utilisation dans un environnement à l'intérieur et avec des températures jusqu'à 40°C. Prévoir une ventilation suffisante dirigée vers le boîtier métallique des spots.

Ne pas :

- utiliser les spots lors d'une température ambiante supérieure à 40°C et un taux d'humidité supérieur à 75%
- utiliser les spots dans un environnement d'un volume inférieur à 10 m³ à moins de prévoir une ventilation directe vers les spots.

6.2 Montage



Risque de blessures. L'installation de cet appareil exige une solide expérience pratique : le calcul de la charge max. de la construction, les matériaux d'installation requis etc. De temps en temps, un technicien qualifié doit vérifier la construction portante et l'appareil même. Ne pas essayer d'installer cet appareil vous-même si vous n'avez pas les qualifications requises ; une installation incorrecte peut entraîner des blessures.

Monter la herse **VDPLDJBAR6** sur un trépied (pas livré) ou sur un ancrage (pas livré) à l'aide de deux colliers d'ancrage (pas livrés).

Trépied :

- Suivre soigneusement les instructions fournies avec votre trépied.
- S'assurer que le tube du trépied a un diamètre d'au moins 25 mm pour garantir une fixation solide.

- Monter la **VDPLDJBAR6** sur le trépied et serrer le bouton moleté **[D]** fermement (vers la droite).

Montage sur armature :

- Un technicien qualifié doit installer l'appareil en respectant EN 60598-2-17 et toute autre norme applicable.
- La construction portante de l'appareil doit être capable de supporter 10 x le poids de l'appareil pendant une heure, sans qu'une déformation de la construction en résulte.
- Enlever les deux écrous **[K]** de l'armature et remplacer-les par deux colliers d'ancrage (pas livrés).
Remarque : monter la **VDPLDJBAR6 TOUJOURS** avec deux colliers d'ancrage.
- Fixer les spots à l'aide d'un câble de sécurité (sécurité supplémentaire).
- Éviter de vous positionner en dessous de l'appareil pour l'enlever ou lors du montage ou du nettoyage. Un technicien qualifié doit réviser l'appareil avant la mise en service. Organiser une révision minutieuse annuelle.
- Installer l'appareil à un endroit où personne ne peut passer ou s'asseoir et où personne ne peut le toucher.
- Enlever tout matériau inflammable dans un rayon de 0,5 m autour de l'appareil.
- Un expert doit approuver l'installation avant qu'elle puisse être prise en service.

Pédalier 4-voies :

Connecter le pédalier à l'armature d'éclairage **[I]**.

6.3 Connexion DMX512

Voir illustrations page **3** de ce mode d'emploi.

- Si nécessaire, connecter un câble à fiche XLR à la sortie XLR femelle à 3 broches de votre contrôleur (non incl.) et l'autre fiche XLR mâle à 3 broches à l'entrée **[E]** de la **VDPLDJBAR6**. Il est possible de relier plusieurs **VDPLDJBAR6** à partir d'une connexion sérielle. Utiliser un câble de connexion blindé à 2 conducteurs avec des connecteurs d'entrée et de sortie XLR.
- Une résistance de terminaison DMX est à recommander si le câble DMX doit couvrir une grande distance ou s'il est utilisé dans un environnement avec beaucoup de bruit électrique (p.ex. une discothèque). La résistance de terminaison prévient la corruption du signal de contrôle numérique par le bruit électrique. La résistance de terminaison DMX n'est rien d'autre qu'une fiche XLR avec une résistance de 120 Ω de broche 2 vers broche 3. Cette fiche XLR est connectée à la sortie XLR **[F]** du dernier appareil de la série.

6.4 Connexion au réseau



Veiller à ce que la prise de courant à laquelle les spots sont connectés soit séparément mise à la terre. Ne pas utiliser un cordon d'alimentation autre que celui fourni avec les spots ou un cordon autorisé par le fabricant.

- Un électricien qualifié doit établir la connexion électrique.
- Brancher l'appareil sur le réseau électrique par la fiche d'alimentation **[C]**. Veiller à ne brancher la **VDPLDJBAR6** que sur un circuit protégé par un disjoncteur différentiel de 30 mA. Ne pas le brancher sur un bloc de puissance.
- Remplacer un fusible grillé seulement par un fusible identique (F2A/250V).

7. Emploi

Voir illustrations page **2** de ce mode d'emploi.

Le **VDPLDJBAR6** intègre cinq modes de pilotage : **pilotage par le son, pilotage automatique, mode maître/esclave, pilotage DMX** ou **avec pédalier**.

Pilotage par le son

1. Placer l'interrupteur DIP 10 en position OFF pour activer le mode de pilotage par le son.



2. Régler la sensibilité du microphone **[G]** avec le bouton de réglage **[H]**.

Pilotage automatique

1. Placer l'interrupteur DIP 9 en position ON et l'interrupteur DIP 10 en position OFF pour activer le mode de pilotage automatique.
2. Configurer la vitesse de programme avec les interrupteurs 1 à 3.

Mode maître/esclave

1. Interconnecter plusieurs **VDPLDJBAR6** comme décrit sous **§6**.
2. Activer le mode de pilotage par le son ou automatique sur l'appareil-maître.

3. Placer l'interrupteur DIP 1 et 10 sur les appareils esclaves en position ON pour activer le mode esclave.

Pilotage DMX

- Placer l'interrupteur DIP 10 en position ON pour activer le mode de pilotage DMX.
- Tous les appareils pilotés par un signal DMX demandent une adresse de départ DMX pour assurer que les appareils corrects réagissent sur les signaux de contrôle. Cette adresse de départ numérique indique le numéro de canal sur lequel l'appareil écoute le contrôleur DMX. Vous avez le choix entre une seule adresse de départ pour toute une série d'appareils ou une adresse de départ par appareil.
- Dans le cas d'une seule adresse, tous les appareils « écouteront » les mêmes signaux, sur un seul canal. Tous les appareils seront donc influencés lorsque vous changez les réglages d'un seul canal. Avec des adresses de départ individuelles, chaque appareil « écouterà » son propre canal. Par conséquent, un ajustement des réglages d'un canal n'influence que l'appareil sur ce canal.
- Pour le **VDPLDJBAR6** à 15 canaux, l'adresse de départ du premier appareil est 1 (CH1~15), du deuxième 16 (1 + 15) (CH16~30), du troisième 31 (16 + 15) (CH31~45), etc.
- Sélectionner l'adresse de départ à l'aide des interrupteurs DIP 1 à 9 (mode binaire).



interrupteur DIP	1	2	3	4	5	6	7	8	9
valeur	1	2	4	8	16	32	64	128	256

canal	fonction	valeur DMX512	description
CH1	programmes automatiques	000 ~ 009	off
		010 ~ 029	programme 1
		030 ~ 049	programme 2
		050 ~ 069	programme 3
		070 ~ 089	programme 4
		090 ~ 109	programme 5
		110 ~ 129	programme 6
		130 ~ 149	programme 7
		150 ~ 169	programme 8
		170 ~ 189	programme 9
		190 ~ 209	programme 10
		210 ~ 229	programme 11
		230 ~ 249	mode automatique, programmes internes
250 ~ 255	mode pilotage par le son		
CH2	graduateur maître	Ne s'applique pas si les canaux CH1 ou CH3 sont sélectionnés	
		000 ~ 000	off
		001 ~ 255	variation de 0 ~ 100%
CH3	stroboscope	000 ~ 000	off
		001 ~ 255	flash de lent vers rapide
CH4	spot1	000 ~255	graduateur rouge de 0 ~ 100%
CH5	spot1	000 ~255	graduateur vert de 0 ~ 100%
CH6	spot1	000 ~255	graduateur bleu de 0 ~ 100%
CH7	spot2	000 ~255	graduateur rouge de 0 ~ 100%
CH8	spot2	000 ~255	graduateur vert de 0 ~ 100%
CH9	spot2	000 ~255	graduateur bleu de 0 ~ 100%
CH10	spot3	000 ~255	graduateur rouge de 0 ~ 100%
CH11	spot3	000 ~255	graduateur vert de 0 ~ 100%
CH12	spot3	000 ~255	graduateur bleu de 0 ~ 100%
CH13	spot4	000 ~255	graduateur rouge de 0 ~ 100%
CH14	spot4	000 ~255	graduateur vert de 0 ~ 100%
CH15	spot4	000 ~255	graduateur bleu de 0 ~ 100%

Le pédalier

Remarque : Le pédalier fonctionne uniquement en modes de pilotage automatique et par le son.

Déconnecter le câble d'alimentation de la **VDPLDJBAR6** et connecter le pédalier à l'entrée **[I]**. Réinsérer la fiche d'alimentation dans la prise de courant.

Fonctions :

pédalier 1 (O)	préprogrammé	Appuyer pour sélectionner un programme intégré.	
		1x	blanc
		2x	rouge
		3x	vert
		4x	bleu
		5x	jaune
		6x	violet
		7x	cyan
		8x	variation de couleur chaque seconde, en boucle fermée
9x	transition de couleur toutes les 3 secondes, en boucle fermée		
pédalier 2 (P)	pilotage par le son	appuyer pour entrer en mode pilotage par le son appuyer sur pédalier 1 pour quitter le mode pilotage par le son	
pédalier 3 (Q)	fonction 'freeze'	arrêter programmes de poursuite (8 & 9)	
pédalier 4 (R)	fonction 'black out'	Appuyer n'importe quand pour éteindre toutes les LED. Appuyer de nouveau pour revenir à la configuration précédente. Maintenir enfoncé pour effet stroboscopique.	

8. Nettoyage et entretien

- Serrer les écrous et les vis et vérifier qu'ils ne rouillent pas.
- Le boîtier, les lentilles, les supports de montage et la construction portante ne peuvent pas être déformés, adaptés ou bricolés p.ex. pas de trous additionnels dans un support, ne pas déplacer les connexions etc.
- Les parties mécaniques mobiles ne peuvent pas être usées ou bouger de manière irrégulière.
- Les câbles d'alimentation ne peuvent pas être endommagés. Un technicien qualifié doit entretenir l'appareil.
- Débrancher l'appareil avant de le nettoyer.
- Essuyer l'appareil régulièrement avec un chiffon humide non pelucheux. Éviter l'usage d'alcool et de solvants.
- Il n'y a aucune pièce maintenable par l'utilisateur.
- Commander des pièces de rechange éventuelles chez votre revendeur.

9. Spécifications techniques

alimentation	230VCA ~ 50Hz
consommation	F2A/250V
fusible	50W
LED	16 LED tricolores de 3W
angle du faisceau	15°
dimensions	950 x 45 x 230mm
poids	6kg

N'employer cet appareil qu'avec des accessoires d'origine. SA Velleman ne sera aucunement responsable de dommages ou lésions survenus à un usage (incorrect) de cet appareil. Pour plus d'information concernant cet article et la dernière version de cette notice, visiter notre site web www.hqpower.eu. Toutes les informations présentées dans cette notice peuvent être modifiées sans notification préalable.

© DROITS D'AUTEUR

SA Velleman est l'ayant droit des droits d'auteur pour cette notice. Tous droits mondiaux réservés.

Toute reproduction, traduction, copie ou diffusion, intégrale ou partielle, du contenu de cette notice par quelque procédé ou sur tout support électronique que se soit est interdite sans l'accord préalable écrit de l'ayant droit.

MANUAL DEL USUARIO

1. Introducción

A los ciudadanos de la Unión Europea

Importantes informaciones sobre el medio ambiente concerniente a este producto



Este símbolo en este aparato o el embalaje indica que, si tira las muestras inservibles, podrían dañar el medio ambiente.

No tire este aparato (ni las pilas, si las hubiera) en la basura doméstica; debe ir a una empresa especializada en reciclaje. Devuelva este aparato a su distribuidor o a la unidad de reciclaje local.

Respete las leyes locales en relación con el medio ambiente.

Si tiene dudas, contacte con las autoridades locales para residuos.

¡Gracias por haber comprado el **VDPLDJBAR6**! Lea atentamente las instrucciones del manual antes de usarlo. Si el aparato ha sufrido algún daño en el transporte no lo instale y póngase en contacto con su distribuidor.

2. Instrucciones de seguridad

	Cuidado durante la instalación: puede sufrir una peligrosa descarga eléctrica al tocar un cable conectado a la red eléctrica.
	Desconecte siempre el aparato si no va a usarlo durante un largo período de tiempo o antes de limpiarlo. Tire siempre del enchufe para desconectar el cable de red, nunca del propio cable.
	Utilice el aparato sólo en interiores . No exponga este equipo a lluvia, humedad ni a ningún tipo de salpicadura o goteo.
	Mantenga el aparato lejos del alcance de personas no capacitadas y niños.
	¡Ojo! La caja del aparato se calienta durante su operación.
	No mire directamente a la fuente luminosa para evitar <ul style="list-style-type: none"> • un ataque epiléptico en personas sensibles • ceguera temporal (ceguera por destello) • lesiones permanentes e irreversibles del ojo.
	El usuario no habrá de efectuar el mantenimiento de ninguna pieza. Contacte con su distribuidor si necesita piezas de recambio.

- Este aparato pertenece a la clase de protección I. Por lo tanto, es esencial que el aparato esté puesto a tierra. La conexión eléctrica debe llevarse a cabo por un técnico cualificado.
- Asegúrese de que la tensión de red no sea mayor que la tensión indicada en las especificaciones.
- No aplaste el cable de alimentación y protéjalo contra posibles daños causados por algún tipo de superficie afilada. Si es necesario, pida a su distribuidor reemplazar el cable de alimentación.
- Fije el aparato con un cable de seguridad adecuado (p.ej. **VDLSC7** o **VDLSC8**).
- Instale el aparato a una distancia mínima de 0,5m de cualquier objeto o producto inflamable o explosivo.
- Respete una distancia de mín. 1 m entre la salida de luz y el área iluminada.

3. Normas generales

Véase la **Garantía de servicio y calidad Velleman** ® al final de este manual del usuario.

	No exponga este equipo a polvo. No exponga este equipo a temperaturas extremas.
	No agite el aparato. Evite usar excesiva fuerza durante el manejo y la instalación.

- Familiarícese con el funcionamiento del aparato. Sólo personas cualificadas pueden manejar este aparato. La mayoría de los daños son causados por un uso inadecuado.
- Por razones de seguridad, las modificaciones no autorizadas del aparato están prohibidas. Los daños causados por modificaciones no autorizadas, no están cubiertos por la garantía.

- Utilice sólo el **VDPLDJBAR6** para aplicaciones descritas en este manual a fin de evitar p.ej. cortocircuitos, quemaduras, descargas eléctricas, etc. Un uso desautorizado puede causar daños y anula la garantía completamente.
- Los daños causados por descuido de las instrucciones de seguridad de este manual invalidarán su garantía y su distribuidor no será responsable de ningún daño u otros problemas resultantes.
- La instalación y el mantenimiento deben ser realizados por personal especializado.
- No conecte el aparato si ha estado expuesto a grandes cambios de temperatura. Espere hasta que el aparato llegue a la temperatura ambiente.
- Este aparato ha sido diseñado para uso profesional en una discoteca, un teatro, etc. y es apto para un uso sólo en interiores. Conéctelo a una fuente de corriente CA de 230VCA / 50Hz.
- No ha sido diseñado para un uso ininterrumpido. Introduzca frecuentemente una pausa para prolongar la vida del aparato.
- Guarde este manual del usuario para cuando necesite consultarlo.

4. Características

- muy ligero: ideal para pinchadiscos y el uso móvil
- focos orientables, cada foco incluye 4 LEDs tricolores para una transición suave de colores
- modos preprogramados, los valores de los colores y los programas RGB están programados
- velocidad del modo automático programable y control por la música gracias al micrófono incorporado
- fácil de utilizar gracias al interruptor de pie (incl.), con función 'blackout' (desactivar todo).

5. Descripción

Véase las figuras en la página 2 de este manual del usuario.

A	conexión para foco con LEDs (4x)	J	interruptor DIP
B	conexión a tierra	K	puntos de montaje
C	conexión para el cable de alimentación + fusible	L	botón de fijación horizontal
D	botón de seguridad para el pie	M	botón de fijación vertical (2 por foco)
E	entrada DMX	N	LEDs (4 por foco)
F	salida DMX	O	interruptor de pie para seleccionar el programa
G	micrófono	P	interruptor de pie para el control por la música
H	botón de ajuste para la sensibilidad del micrófono	Q	interruptor de pie para la función « freeze »
I	conexión para el interruptor de pie	R	interruptor de pie para la función « blackout » (todos los LEDs están desactivados)

6. Preparación

6.1 Seleccionar un lugar de montaje



El foco ha sido diseñado para un uso en interiores y con temperaturas hasta 40°C. Prevea una ventilación suficiente dirigida hacia la caja metálica del foco.

NO:

- Utilice el foco con una temperatura ambiente superior a 40°C y una humedad superior al 75%.
- Utilice el foco en un lugar inferior a 10 m³ salvo al prever una ventilación directa hacia el foco.

6.2 Montaje



Riesgo de lesiones. La instalación de este aparato exige una sólida experiencia práctica: el cálculo de la carga máx. de la construcción, los materiales de instalación requeridos, etc. De vez en cuando, un técnico cualificado debe controlar la construcción portante y el aparato mismo. No intente instalar este aparato usted mismo si no tiene las cualificaciones requeridas; una instalación incorrecta puede causar lesiones.

Fije el **VDPLDJBAR6** con dos abrazaderas (no incl.) al pie (no incl.) o a la barra (truss, no incl.)

Pie:

- Siga cuidadosamente las instrucciones que acompañan al trípode.
- Asegúrese de que el diámetro del tubo del pie sea de min. 25mm para garantizar una fijación segura.

- Fije el **VDPLDJBAR6** al pie y atornille el botón de seguridad **[D]** firmemente (en el sentido de las agujas del reloj).

Montar la barra:

- Respete la directiva EN 60598-2-17 y toda norma nacional antes de instalar el aparato. La instalación debe ser realizada por un técnico especializado.
- El soporte donde irá el aparato, debe ser capaz de sostener 10 veces el peso de éste durante una hora, sin que se produzca una deformación de dicho soporte.
- Quite los dos tornillos **[K]** de la barra y reemplácelos por dos abrazaderas (no incl.).
Observación: monte **SIEMPRE** el **VDPLDJBAR6** con dos abrazaderas.
- Fije siempre el **VDPLDJBAR6** con un cable de seguridad (seguridad adicional).
- Evite ponerse debajo del aparato durante el montaje, la limpieza, etc. Un técnico especializado debe revisar el aparato antes de la puesta en marcha. Después, debe revisarlo una vez al año.
- Instale el aparato fuera del alcance de personas no autorizadas y en un lugar con poca gente.
- Quite todo material inflamable en un radio de 0.5m alrededor del aparato.
- Un experto debe probar la instalación antes de la puesta en marcha.

Interruptor de pie de 4 vías:

Conecte el interruptor de pie a la barra **[I]**.

6.3 Conexión DMX512

Véase las figuras en la página **3** de este manual del usuario.

- Si fuera necesario, conecte un cable con conector XLR (no incl.) a la salida XLR hembra de 3 polos del controlador y el otro conector XLR macho de 3 polos a la entrada **[E]** del **VDPLDJBAR6**. Es posible conectar varios **VDPLDJBAR6** en serie. Use un cable blindado de doble hilo conductor con conectores XLR de entrada y de salida **VDPLDJBAR6**.
- Se recomienda una terminación si el cable DMX debe cubrir una gran distancia o si se usa en un medio ambiente con mucho ruido eléctrico (ej. una discoteca). La terminación impide que el ruido eléctrico corrompa la señal de control numérico. La terminación DMX no es más que un conector XLR con una resistencia de 120Ω de polo 2 a polo 3. Este conector XLR está conectado a la salida XLR **[F]** del último aparato de la serie.

6.4 Conexión a la rojo



Asegúrese de que el enchufe al que está conectado el foco esté puesto a tierra por separado. Utilice sólo el cable de alimentación entregado con el foco o un cable autorizado por el fabricante.

- Pregunte a un electricista cómo hacer la conexión eléctrica.
- Conecte el aparato a la rojo eléctrica con la conexión de alimentación **[C]**. Asegúrese de que sólo conecte el **VDPLDJBAR6** a un circuito protegido por un disyuntor de corriente residual (RCD) de 30mA. Normalmente, no se conectan efectos luminosos a dimmer packs (reguladores).
- Reemplace un fusible fundido sólo por uno del mismo tipo (F2A/250V).

7. Uso

Véase las figuras en la página **2** de este manual del usuario.

El **VDPLDJBAR6** incorpora cinco modos de control: **control por la música, control automático, modo maestro/esclavo, control DMX** o **modo interruptor de pie**.

Control por la música

1. Ponga el interruptor DIP 10 en la posición OFF para activar el modo de control por la música.



2. Ajuste la sensibilidad del micrófono **[G]** con el botón de ajuste **[H]**.

Control automático

1. Ponga el interruptor DIP 9 en la posición ON y el interruptor DIP 10 en la posición OFF.
2. Ajuste la velocidad del programa con el interruptor de 1 a 3.

Modo maestro/esclavo

1. Interconecte varios **VDPLDJBAR6** (véase **§6**).
2. Active el modo de control por la música o el control automático en el aparato-maestro.

3. Ponga el interruptor DIP 1 y 10 de los aparatos esclavos en la posición ON para activar el modo esclavo.

Control DMX

- Ponga el interruptor DIP 10 en la posición ON para activar el modo de control DMX.
- Si se usa una señal DMX, cada aparato tiene su propia dirección inicial DMX para asegurar que los aparatos reaccionen a las señales de control correctas. Esta dirección inicial digital es el primer canal en el cual el aparato reaccionará a las señales DMX del controlador DMX. Es posible elegir entre una sola dirección inicial para toda una serie de aparatos o una dirección inicial por aparato.
- Con una sola dirección inicial para una serie de aparatos, todos los aparatos reaccionarán sincronizadamente a la misma señal. Por lo tanto, cambiar los ajustes de un solo canal afecta a los ajustes de todos los canales. Con varias direcciones iniciales, cada aparato reaccionará independientemente. Por lo tanto, cambiar los ajustes de un solo canal sólo afecta al canal en cuestión.
- En el caso del **VDPLDJBAR6** de 15 canales, la dirección inicial del primer aparato es 1 (CH1~15), del segundo aparato 16 (1 + 15) (CH16~30), del tercer aparato 31 (16 + 15) (CH31~45), etc.
- Seleccione la dirección inicial con los interruptores DIP de 1 a 9 (modo binario).



interruptor DIP	1	2	3	4	5	6	7	8	9
valor	1	2	4	8	16	32	64	128	256

Véase la siguiente lista para un resumen de las señales para cada canal.

Canal	Función	Valor DMX-512	Descripción
CH1	programas automáticos	000 ~ 009	off
		010 ~ 029	Programa 1
		030 ~ 049	Programa 2
		050 ~ 069	Programa 3
		070 ~ 089	Programa 4
		090 ~ 109	Programa 5
		110 ~ 129	Programa 6
		130 ~ 149	Programa 7
		150 ~ 169	Programa 8
		170 ~ 189	Programa 9
		190 ~ 209	Programa 10
		210 ~ 229	Programa 11
		230 ~ 249	modo automático, programas internos
250 ~ 255	modo controlado por la música		
CH2	dimmer maestro	sin función si CH1 o CH3 es activo	
		000 ~ 000	off
		001 ~ 255	off
CH3	estroboscopio	000 ~ 000	ajuste de la intensidad de luz 0 ~ 100%
		001 ~ 255	off
CH4	foco1	000 ~255	destello de lento a rápido
CH5	foco1	000 ~255	ajuste de la intensidad de luz (color rojo) 0 ~ 100%
CH6	foco1	000 ~255	ajuste de la intensidad de luz (color verde) 0 ~ 100%
CH7	foco2	000 ~255	ajuste de la intensidad de luz (color azul) 0 ~ 100%
CH8	foco2	000 ~255	ajuste de la intensidad de luz (color rojo) 0 ~ 100%
CH9	foco2	000 ~255	ajuste de la intensidad de luz (color verde) 0 ~ 100%
CH10	foco3	000 ~255	ajuste de la intensidad de luz (color azul) 0 ~ 100%
CH11	foco3	000 ~255	ajuste de la intensidad de luz (color rojo) 0 ~ 100%
CH12	foco3	000 ~255	ajuste de la intensidad de luz (color verde) 0 ~ 100%
CH13	foco4	000 ~255	ajuste de la intensidad de luz (color azul) 0 ~ 100%
CH14	foco4	000 ~255	ajuste de la intensidad de luz (color rojo) 0 ~ 100%
CH15	foco4	000 ~255	ajuste de la intensidad de luz (color verde) 0 ~ 100%

Interruptor de pie

Nota: el interruptor de pie funciona sólo en el modo de control automático y el modo de control por la música . Desconecte el cable de alimentación del **VDPLDJBAR6** y conecte el interruptor de pie a la entrada **[I]**. Vuelva a conectar el aparato a la red eléctrica.

Funciones:

interruptor de pie 1 (O)	ajustes preprogramados	Pulse para seleccionar un programa incorporado.	
		1x	blanco
		2x	rojo
		3x	verde
		4x	azul
		5x	amarillo
		6x	violeta
		7x	cian
		8x	cambio de color cada segundo, bucle infinito
9x	transición de colores cada 3 segundos, bucle infinito		
interruptor de pie 2 (P)	control por la música	pulse para entrar en el modo controlado por la música pulse interruptor de pie 1 para salir del modo controlado por la música	
interruptor de pie 3 (Q)	función « freeze »	Desactivar los programas « chase » (seguimiento) (8 & 9)	
interruptor de pie 4 (R)	función « black out»	Pulse en cualquier momento para desactivar todos los LEDs. Vuelva a pulsar para volver al ajuste anterior. Mantenga pulsado para la función estroboscópica.	

8. Limpieza y mantenimiento

- Apriete bien las tuercas y los tornillos y verifique que no hay señales de oxidación.
- No modifique la caja, los soportes y las ópticas p.ej. no taladre agujeros adicionales en un soporte o no modifique las conexiones, etc.
- Las partes móviles no pueden mostrar ningún rastro de desgaste y deben estar bien equilibradas.
- No dañe los cables de alimentación. Contacte con un técnico especializado para instalar el aparato.
- Desconecte el aparato de toda fuente antes de limpiarlo.
- Limpie el aparato regularmente con un paño húmedo. Evite el uso de alcohol y de disolventes.
- El usuario no habrá de efectuar el mantenimiento de ninguna pieza.
- Contacte con su distribuidor si necesita piezas de recambio.

9. Especificaciones

alimentación	230VAC ~ 50Hz
fusible	F2A/250V
consumo	50W
LEDs	16 LEDs tricolores de 3W
ángulo del haz	15°
dimensiones	950 x 45 x 230mm
gewicht	6kg

Utilice este aparato sólo con los accesorios originales. Velleman NV no será responsable de daños ni lesiones causados por un uso (indebido) de este aparato. Para más información sobre este producto y la versión más reciente de este manual del usuario, visite nuestra página www.hqpower.eu. Se pueden modificar las especificaciones y el contenido de este manual sin previo aviso.

© DERECHOS DE AUTOR

Velleman NV dispone de los derechos de autor para este manual del usuario. Todos los derechos mundiales reservados.

Está estrictamente prohibido reproducir, traducir, copiar, editar y guardar este manual del usuario o partes de ello *sin previo permiso escrito* del derecho habiente.

BEDIENUNGSANLEITUNG

1. Einführung

An alle Einwohner der Europäischen Union

Wichtige Umweltinformationen über dieses Produkt



Dieses Symbol auf dem Produkt oder der Verpackung zeigt an, dass die Entsorgung dieses Produktes nach seinem Lebenszyklus der Umwelt Schaden zufügen kann. Entsorgen Sie die Einheit (oder verwendeten Batterien) nicht als unsortiertes Hausmüll; die Einheit oder verwendeten Batterien müssen von einer spezialisierten Firma zwecks Recycling entsorgt werden. Diese Einheit muss an den Händler oder ein örtliches Recycling-Unternehmen retourniert werden. Respektieren Sie die örtlichen Umweltvorschriften.

Falls Zweifel bestehen, wenden Sie sich für Entsorgungsrichtlinien an Ihre örtliche Behörde.

Wir bedanken uns für den Kauf des **VDPLDJBAR6**! Lesen Sie diese Bedienungsanleitung vor Inbetriebnahme sorgfältig durch. Überprüfen Sie, ob Transportschäden vorliegen. Sollte dies der Fall sein, verwenden Sie das Gerät nicht und wenden Sie sich an Ihren Händler.

2. Sicherheitshinweise

	Seien Sie während der Installation des Gerätes sehr vorsichtig: das Berühren von unter Spannung stehenden Leitungen könnte zu lebensgefährlichen elektrischen Schlägen führen.
	Trennen Sie das Gerät bei Nichtbenutzung und vor jeder Reinigung vom Netz. Fassen Sie dazu den Netzstecker an der Grifffläche an und ziehen Sie nie an der Netzleitung.
	Verwenden Sie das Gerät nur im Innenbereich . Schützen Sie das Gerät vor Regen und Feuchte.
	Halten Sie Kinder und Unbefugte vom Gerät fern.
	Achtung: Berühren Sie das Gehäuse während des Betriebs nicht, denn das Gehäuse heizt auf.
	Blicken Sie nicht direkt in die Lichtquelle , um <ul style="list-style-type: none"> • epileptische Anfälle bei empfindlichen Menschen • zeitliche Blindheit (Blitzblindheit) • permanente und unwiderrufliche Augenschäden zu vermeiden.
	Es gibt keine zu wartenden Teile. Bestellen Sie eventuelle Ersatzteile bei Ihrem Fachhändler.

- Der Aufbau des Gerätes entspricht der Schutzklasse I. Gemäß den Vorschriften muss das Gerät geerdet sein. Der elektrische Anschluss darf nur von einer Fachkraft durchgeführt werden.
- Vergewissern Sie sich, dass die anzuschließende Netzspannung nicht höher ist als die Netzspannung beschrieben in dieser Bedienungsanleitung.
- Achten Sie darauf, dass die Netzleitung nicht gequetscht oder durch scharfe Kanten beschädigt werden kann. Bei Beschädigungen soll eine Fachkraft das Kabel ersetzen.
- Machen Sie das Gerät mit einem geeigneten Sicherheitskabel fest (z.B. **VDLSC7** oder **VDLSC8**).
- Sorgen Sie für einen Abstand von min. 0,5 m zwischen dem Gerät und entflammaren und explosiven Gegenständen oder Stoffen.
- Beachten Sie eine minimale Entfernung von 1 m zwischen der Lichtausbeute und irgendeiner beleuchteten Fläche.

3. Allgemeine Richtlinien

Siehe **Velleman® Service- und Qualitätsgarantie** am Ende dieser Bedienungsanleitung.



Schützen Sie das Gerät vor Staub. Schützen Sie das Gerät vor extremen Temperaturen.



Vermeiden Sie Erschütterungen. Vermeiden Sie rohe Gewalt während der Installation und Bedienung des Gerätes.

- Nehmen Sie das Gerät erst in Betrieb, nachdem Sie sich mit seinen Funktionen vertraut gemacht haben. Lassen Sie das Gerät nicht von Personen bedienen, die sich nicht mit dem Gerät auskennen. Meist ist die Beschädigung des Gerätes das Ergebnis von unfachmännischer Bedienung.
- Eigenmächtige Veränderungen sind aus Sicherheitsgründen verboten. Bei Schäden verursacht durch eigenmächtige Änderungen erlischt der Garantieanspruch.
- Verwenden Sie das Gerät nur für Anwendungen beschrieben in dieser Bedienungsanleitung sonst kann dies zu Schäden am Produkt führen und erlischt der Garantieanspruch. Jede andere Verwendung ist mit Gefahren wie Kurzschluss, Brandwunden, elektrischem Schlag, usw. verbunden.
- Bei Schäden, die durch Nichtbeachtung der Bedienungsanleitung verursacht werden, erlischt der Garantieanspruch. Für daraus resultierende Folgeschäden übernimmt der Hersteller keine Haftung.
- Lassen Sie dieses Gerät von einem Fachmann installieren und warten.
- Das Gerät bei Temperaturschwankungen nicht sofort einschalten. Schützen Sie das Gerät vor Beschädigung, indem Sie es ausgeschaltet lassen bis es akklimatisiert ist (Zimmertemperatur erreicht hat).
- Dieses Gerät wurde für den professionellen Einsatz auf Bühnen, in Discotheken, Theatern, usw. entworfen und eignet sich nur für die Anwendung im Innenbereich. Verwenden Sie das Gerät mit einer Wechselspannung von 230VAC / 50Hz.
- Das Gerät eignet sich nicht für permanenten Betrieb: eine regelmäßige Pause verlängert die Lebensdauer.
- Bewahren Sie diese Bedienungsanleitung für künftige Einsichtnahme auf.

4. Eigenschaften

- sehr leicht: ideal für Discjockeys und den mobilen Einsatz
- schwenk- und neigbare Scheinwerfer, jeder Scheinwerfer hat 4 dreifarbige LEDs für fließende Farbübergänge
- vorprogrammierte Modi, mit eingestellten Farbwerten und RGB-Programmen
- einstellbare Geschwindigkeit des automatischen Modus und Musiksteuerung über eingebautes Mikrofon
- einfache Bedienung über den mitgelieferten Fußschalter, mit 'Blackout'-Funktion (alles ausschalten)

5. Umschreibung

Siehe Abbildungen, Seite 2 dieser Bedienungsanleitung.

A	Anschluss für LED-Scheinwerfer (4x)	J	DIP-Schalter
B	Masse-Anschluss	K	Montagepunkte
C	Anschluss Stromkabel + Sicherung	L	horizontale Einstellknopf
D	Sicherheitsknopf Stativ	M	vertikale Einstellknopf (2 pro Scheinwerfer)
E	DMX-Eingang	N	LEDs (4 pro Scheinwerfer)
F	DMX-Ausgang	O	Fußschalter für die Programmauswahl
G	Mikrofon	P	Fußschalter für die Musiksteuerung
H	Einstellknopf für die Empfindlichkeit des Mikrofons	Q	Fußschalter für die Freeze-Funktion
I	Anschluss für den Fußschalter	R	Fußschalter für die Blackout-Funktion (alle LEDs ausgeschaltet)

6. Vorbereitung

6.1 Den Montageort auswählen



Der **VDPLDJBAR6** wurde für die Anwendung im Innenbereich bei Temperaturen niedriger als 40°C entworfen. Sorgen Sie für eine geeignete Ventilation und richten Sie diese auf das Metallgehäuse des Scheinwerfers.

Verwenden Sie den Scheinwerfer nicht:

- in einer Umgebung mit einer Umgebungstemperatur höher als 40°C und eine relative Feuchte höher als 75%.
- in einem Raum kleiner als 10 m³ wenn es keine Ventilation gibt.

6.2 Montage



Gefahr vor Verletzungen. Für die Installation des Gerätes ist eine solide **praktische Erfahrung notwendig**. Sie müssen die Höchstlast einer Tragkonstruktion berechnen können, wissen welches Baumaterial Sie verwenden können und Sie müssen das verwendete Material und das Gerät ab und zu kontrollieren lassen. Montieren Sie das Gerät nie selber wenn Sie keine Erfahrung damit haben. Eine schlechte Montage kann zu Verletzungen führen.

Befestigen Sie den **VDPLDJBAR6** am Stativ (nicht mitgeliefert) oder an der Traverse (Truss, nicht mitgeliefert) über zwei Traversenhalter (nicht mitgeliefert).

Stativ:

- Befolgen Sie sorgfältig die dem Stativ beiliegenden Anweisungen.
- Der Durchmesser des Rohres muss mindestens 25mm sein, um eine sichere Befestigung zu gewährleisten.
- Befestigen Sie den **VDPLDJBAR6** am Stativ und drehen Sie den Sicherheitsknopf **[D]** gut fest (im Uhrzeigersinn).

Befestigung an der Traverse:

- Lassen Sie das Gerät von einem Fachmann und gemäß den EN 60598-2-17 und allen anderen zutreffenden Normen installieren.
- Die Konstruktion muss während einer Stunde eine Punktlast von maximal 10 x dem Gewicht des Geräts tragen können, ohne dass Verformung verursacht wird.
- Entfernen Sie beide Bolzen **[K]** aus der Traverse und ersetzen Sie diese durch zwei Traversenhalter (nicht mitgeliefert).

Bemerkung: Montieren Sie den **VDPLDJBAR6** **IMMER** mit zwei Traversenhaltern.

- Das Gerät muss immer mit einer zweiten Befestigung z.B. mit einem Sicherheitskabel gesichert werden.
- Stehen Sie während der Montage, Entfernung oder Wartung nie direkt unter dem Gerät. Lassen Sie das Gerät jährlich und vor der Inbetriebnahme von einem Fachmann prüfen.
- Montieren Sie das Gerät an einem Ort, an dem es wenig Vorübergehende gibt und der unzugänglich ist für Unbefugte.
- Achten Sie darauf, dass sich kein entflammbares Material in einem Umkreis von 50 cm befindet.
- Die Installation muss vor Inbetriebnahme von einem Experten genehmigt werden.

4-Wege-Fußschalter:

Verbinden Sie den Fußschalter mit der Traverse **[I]**.

6.3 DMX512-Anschluss

Siehe Abbildungen, Seite **3** dieser Bedienungsanleitung.

- Wenn nötig, so verbinden Sie ein XLR-Kabel mit dem 3-Pin XLR-Ausgang der Steuerung (nicht mitgeliefert) und die andere Seite mit dem 3-Pin XLR-Eingang **[E]** des **VDPLDJBAR6**. Sie können verschiedene **VDPLDJBAR6** in Serie schalten. Verwenden Sie ein zweipoliges abgeschirmtes Kabel mit XLR Ein- und Ausgangsanschlüssen.
- Ein DMX-Abschlusswiderstand ist empfehlenswert für Installationen, bei denen das DMX-Kabel lang ist oder in einer Umgebung mit vielem elektrischem Rauschen (z.B. Discos). Der Abschlusswiderstand verhindert Störung des digitalen Steuersignals durch elektrisches Rauschen. Der DMX-Abschlusswiderstand ist nur eine XLR-Buchse mit einem 120Ω Widerstand zwischen 2 und 3, die den XLR-Ausgang **[F]** des letzten Geräts in der Kette angeschlossen wird.

6.4 Anschluss an das Netz



Verbinden Sie den Scheinwerfer mit einer separat geerdeten Steckdose. Verwenden Sie nur das mit dem Scheinwerfer mitgelieferten Netzkabel oder ein Netzkabel, das vom Hersteller genehmigt worden ist.

- Lassen Sie das Gerät von einem qualifizierten Elektriker anschließen.
- Schließen Sie das Gerät an das Hauptnetz **[C]** und nicht an einen Dimmer an. Beachten Sie, dass der verwendete Kreis mit einem mit einem Fehlerstrom-Schutzschalter (RCD) von 30 mA geschützt ist.
- Ersetzen Sie eine durchgebrannte Sicherung nur durch eine des gleichen Typs (F2A/250V).

7. Anwendung

Siehe Abbildungen, Seite **2** dieser Bedienungsanleitung.

Das Gerät verfügt über fünf Ansteuerfunktionen: **Musiksteuerung, automatische Steuerung, Master-/Slave-Funktion, DMX-Steuerung** oder **Fußschalter-Modus**.

Musiksteuerung

1. Stellen Sie DIP-Schalter 10 auf OFF um die Musiksteuerung einzuschalten.



2. Regeln Sie die Empfindlichkeit des Mikrofons **[G]** mit dem Einstellknopf **[H]**.

Automatische Steuerung

1. Stellen Sie DIP-Schalter 9 auf ON und DIP-Schalter 10 auf OFF um die automatische Steuerung einzuschalten.
2. Stellen Sie die Geschwindigkeit des Programs mit den DIP-Schaltern 1 bis 3 ein.

Master-/Slave-Funktion

1. Verbinden Sie mehrere **VDPLDJBAR6**. Siehe §6.
2. Schalten Sie die Musik- oder automatische Steuerung auf dem Mastergerät ein.
3. Stellen Sie DIP-Schalter 1 der Slave-Geräte auf ON um die Slave-Funktion einzuschalten.

DMX-Steuerung

- Stellen Sie DIP-Schalter 10 auf ON um die DMX-Steuerung einzuschalten.
- Alle DMX-gesteuerten Geräte brauchen eine digitale Startadresse, sodass das richtige Gerät auf die Signale reagieren kann. Diese digitale Startadresse ist die Kanalnummer, von der das Gerät die Befehle der DMX-Steuerung empfängt und ausführt. Sie können dieselbe Startadresse für eine ganze Gruppe von Geräten verwenden oder eine separate Startadresse für jedes Gerät eingeben.
- Wenn alle Geräte dieselbe Startadresse haben, werden sie auf einem spezifischen Kanal das Steuersignal empfangen. Mit anderen Worten, wenn Sie die Einstellungen von einem Kanal ändern, werden alle Geräte zur gleichen Zeit beeinflusst. Wenn Sie verschiedene Adressen einstellen, wird jedes Gerät auf einem anderen Kanal Signale empfangen. Wenn Sie die Einstellungen ändern, wird nur das besagte Gerät beeinflusst.
- Im Falle des 7-Kanal **VDPLDJBAR6**, werden Sie die Startadresse des ersten Gerätes auf 1 (CH1~15), der zweiten Einheit auf 16 (1 + 15) (CH16~30), der dritten Einheit auf 31 (16 + 15) (CH31~45) usw. einstellen müssen.
- Stellen Sie die Startadresse mit den DIP-Schaltern 1 bis 9 ein (binär).



DIP-Schalter	1	2	3	4	5	6	7	8	9
Wert	1	2	4	8	16	32	64	128	256

- Siehe nachfolgende Liste für eine Übersicht der Signale pro Kanal.

Kanal	Funktion	DMX-512-Wert	Beschreibung
CH1	automatische Programme	000 ~ 009	off
		010 ~ 029	Program 1
		030 ~ 049	Program 2
		050 ~ 069	Program 3
		070 ~ 089	Program 4
		090 ~ 109	Program 5
		110 ~ 129	Program 6
		130 ~ 149	Program 7
		150 ~ 169	Program 8
		170 ~ 189	Program 9
		190 ~ 209	Program 10
		210 ~ 229	Program 11
		230 ~ 249	Automatischer Modus, interne Programme
		250 ~ 255	Musikgesteuerter Modus
CH2	Master-Dimmer	ohne Funktion wenn CH1 oder CH3 aktiv ist	
		000 ~ 000	Off
		001 ~ 255	Dimmen 0 ~ 100%
CH3	Stroboskop	000 ~ 000	Off
		001 ~ 255	Blitzen von langsam auf schnell

Kanal	Funktion	DMX-512-Wert	Beschreibung
CH4	Scheinwerfer 1	000 ~255	Rot dimmen von 0 ~ 100%
CH5	Scheinwerfer 1	000 ~255	Grün dimmen von 0 ~ 100%
CH6	Scheinwerfer 1	000 ~255	Blau dimmen von 0 ~ 100%
CH7	Scheinwerfer 2	000 ~255	Rot dimmen von 0 ~ 100%
CH8	Scheinwerfer 2	000 ~255	Grün dimmen von 0 ~ 100%
CH9	Scheinwerfer 2	000 ~255	Blau dimmen von 0 ~ 100%
CH10	Scheinwerfer 3	000 ~255	Rot dimmen von 0 ~ 100%
CH11	Scheinwerfer 3	000 ~255	Grün dimmen von 0 ~ 100%
CH12	Scheinwerfer 3	000 ~255	Blau dimmen von 0 ~ 100%
CH13	Scheinwerfer 4	000 ~255	Rot dimmen von 0 ~ 100%
CH14	Scheinwerfer 4	000 ~255	Grün dimmen von 0 ~ 100%
CH15	Scheinwerfer 4	000 ~255	Blau dimmen von 0 ~ 100%

Fußschalter

Bemerkung: Der Fußschalter funktioniert nur wenn Sie den automatischen Modus oder Musiksteuerung ausgewählt haben.

Trennen Sie den Netzstecker und verbinden Sie den Fußschalter mit dem Eingang **[I]**. Verbinden Sie das Gerät wieder mit dem Netz.

Funktionen:

Fußschalter 1 (O)	vorprogrammierte Einstellungen	Drücken Sie, um ein eingebautes Programm auszuwählen.	
		1x	Weiß
		2x	Rot
		3x	Grün
		4x	Blau
		5x	Gelb
		6x	Violett
		7x	Cyan
		8x	Farbwechsel jede Sekunde, Endlosschleife
9x	Farbübergang alle 3 Sekunden, Endlosschleife		
Fußschalter 2 (P)	musikgesteuerter Modus	Drücken Sie, um in den musikgesteuerten Modus zu gelangen Drücken Sie Fußschalter 1 um den musikgesteuerten Modus zu verlassen	
Fußschalter 3 (Q)	Freeze-Funktion	Die Chase-Programme ausschalten (8 & 9)	
Fußschalter 4 (R)	Black out-Funktion	Drücken Sie egal wann, um alle LEDs auszuschalten. Drücken Sie wieder, um zur vorigen Einstellung zurückzukehren. Halten Sie gedrückt für die Stroboskop-Funktion.	

8. Reinigung und Wartung

- Alle verwendeten Schrauben müssen fest angespannt werden und dürfen keine Rostspuren zeigen.
- Das Gehäuse, die Linsen, die Montagebügel und der Montageort (z.B. Decke oder Gebinde) dürfen nicht angepasst werden, z.B. bohren Sie keine zusätzlichen Löcher in Montagebügel, verändern Sie die Anschlüsse nicht, usw.)
- Mechanische bewegende Teile dürfen keine Spuren von Verschleiß aufweisen.
- Sorgen Sie dafür, dass die Netzkabel nicht beschädigt sind. Lassen Sie das Gerät von einer Fachkraft warten.
- Trennen Sie das Gerät vom Netz ehe Sie mit den Servicearbeiten anfangen.
- Verwenden Sie zur Reinigung ein feuchtes, fusselfreies Tuch. Verwenden Sie auf keinen Fall Alkohol oder irgendwelche Lösungsmittel.
- Die Teile dürfen nicht eigenmächtig ersetzt werden.
- Bestellen Sie eventuelle Ersatzteile bei Ihrem Fachhändler.

9. Technische Daten

Stromversorgung	230VAC ~ 50Hz
Sicherung	F2A/250V
Stromverbrauch	50W
LEDs	16 dreifarbig LEDs von 3W
Abstrahlwinkel	15°
Abmessungen	950 x 45 x 230mm
Gewicht	6kg

Verwenden Sie dieses Gerät nur mit originellen Zubehörteilen. Velleman NV übernimmt keine Haftung für Schaden oder Verletzungen bei (falscher) Anwendung dieses Gerätes. Für mehr Informationen zu diesem Produkt und die neueste Version dieser Bedienungsanleitung, siehe www.hqpower.eu. Alle Änderungen ohne vorherige Ankündigung vorbehalten.

© URHEBERRECHT

Velleman NV besitzt das Urheberrecht für diese Bedienungsanleitung. Alle weltweiten Rechte vorbehalten.

Ohne vorherige schriftliche Genehmigung des Urhebers ist es nicht gestattet, diese Bedienungsanleitung ganz oder in Teilen zu reproduzieren, zu kopieren, zu übersetzen, zu bearbeiten oder zu speichern.

INSTRUKCJA OBSŁUGI

1. Wstęp

Niniejsza instrukcja przeznaczona jest dla użytkowników w krajach Unii Europejskiej

Ważne informacje dotyczące ochrony środowiska



Niniejszy symbol umieszczony na urządzeniu bądź opakowaniu oznacza, że wyrzucenie zużytego produktu może być szkodliwe dla środowiska. Nie umieszczać zużytych urządzeń (bądź baterii) w zwykłych pojemnikach na odpady. W tym celu należy skontaktować się z firmą zajmującą się recyklingiem. Urządzenie można przekazać dystrybutorowi lub lokalnej firmie zajmującej się recyklingiem. Należy przestrzegać lokalnych przepisów dotyczących ochrony środowiska.

W razie wątpliwości należy skontaktować się z lokalnymi władzami zajmującymi się utylizacją odpadów.

Dziękujemy za wybór produktu firmy HQPower™! Przed rozpoczęciem użytkowania należy dokładnie zapoznać się z instrukcją obsługi. Jeśli urządzenie zostało uszkodzone podczas transportu, nie należy montować ani używać urządzenia oraz należy skontaktować się ze sprzedawcą.

2. Instrukcje bezpieczeństwa

	Podczas instalacji należy zachować szczególną ostrożność: dotknięcie przewodów pod napięciem może prowadzić do zagrażającego życiu porażenia prądem elektrycznym.
	Kiedy urządzenie nie jest używane lub gdy przeprowadzane są prace serwisowe lub konserwacyjne należy odłączyć urządzenie od zasilania sieciowego. Kabel zasilający należy trzymać wyłącznie za wtyczkę.
	Wyłącznie do użytku wewnątrz pomieszczeń. Chronić urządzenie przed deszczem, wilgocią, rozpryskami i ściekającymi cieczami.
	Chronić urządzenie przed dziećmi i nieupoważnionymi użytkownikami.
	Uwaga: urządzenie nagrzewa się podczas pracy.
	Nie kierować wzroku bezpośrednio na źródło światła , gdyż może to wywołać: <ul style="list-style-type: none"> • atak epilepsji u osób podatnych • przejściową utratę wzroku (ślepotę olśnieniową) • trwałe (nieodwracalne) uszkodzenie oczu
	W urządzeniu nie znajdują się części, które wymagają obsługi przez użytkownika. W celu uzyskania części serwisowych i/lub zamiennych należy skontaktować się z autoryzowanym sprzedawcą.

- Urządzenie podlega klasie ochronności I, dlatego też niezbędne jest zapewnienie uziemienia. Połączenia elektryczne powinien wykonywać specjalista.
- Należy upewnić się, że napięcie nie przekracza wartości określonej w specyfikacjach niniejszej instrukcji.
- Nie zaginać kabla zasilającego i chronić go przed uszkodzeniem. W razie konieczności, wymianę kabla powinien przeprowadzać autoryzowany sprzedawca.
- Do montażu urządzenia należy stosować odpowiedni przewód zabezpieczający (np. **VDLSC7** lub **VDLSC8**).
- Zainstalować **VDPLDJBAR6** w odległości min.0,5 m od łatwopalnych i wybuchowych obiektów lub substancji.
- Należy zachować minimalną odległość o wartości 1 m między strumieniem świetlnym urządzenia, a każdą podświetlaną powierzchnią.

3. Informacje ogólne

Proszę zapoznać się z informacjami w części **Velleman® Usługi i gwarancja jakości** na końcu niniejszej instrukcji.



Chronić urządzenie przed kurzem i wysokimi temperaturami.



Chronić urządzenie przed wstrząsami i użytkować wyłącznie zgodnie z przeznaczeniem. Podczas obsługi urządzenia unikać używania siły.

- Przed rozpoczęciem pracy z urządzeniem należy zapoznać się z jego funkcjami. Zabrania się użytkowania urządzenia przez niewykwalifikowane osoby. Wszelkie możliwe uszkodzenia są zazwyczaj spowodowane nieprofesjonalną obsługą urządzenia.
- Wprowadzanie zmian w urządzeniu jest zabronione ze względów bezpieczeństwa. Należy pamiętać, że uszkodzenia spowodowane przez zmiany wprowadzone przez użytkownika nie są objęte gwarancją.
- Urządzenia należy używać jedynie zgodnie z przeznaczeniem. Jakikolwiek użytkowanie niezgodnie z przeznaczeniem może prowadzić do zwarcia, poparzeń, porażenia prądem, wybuchu lampy, wypadku itd. i spowoduje unieważnienie gwarancji.
- Gwarancja nie obejmuje uszkodzeń powstałych w wyniku nieprzestrzegania niniejszej instrukcji, a sprzedawca nie ponosi odpowiedzialności za wyniki uszkodzenia lub problemy.
- Urządzenie powinien instalować i serwisować wykwalifikowany technik.
- Nie włączać urządzenia bezpośrednio po wystąpieniu zmiany temperatury. Chronić urządzenie przed uszkodzeniem wyłączając je dopóki nie osiągnie temperatury pokojowej.
- Urządzenie jest przeznaczone do profesjonalnego zastosowania wewnątrz pomieszczeń na scenach, w dyskotekach, teatrach itp., przy zasilaniu prądem przemiennym 230 VAC/ 50 Hz.
- Efekty świetlne nie są przystosowane do ciągłej pracy: regularne przerwy w pracy wydłużą żywotność urządzenia.
- Niniejszą instrukcję należy zachować na przyszłość.

4. Właściwości

- niezwykle niska masa: urządzenie przenośne, zaprojektowane specjalnie dla DJ-ów
- ruchome reflektory, każdy reflektor został wyposażony w 4 trójkolorowe diody LED, zapewniające doskonałe efekty świetlne
- wstępnie zaprogramowane tryby pracy z ustawieniami kolorów i programów RGB
- automatyczny tryb pracy z ustawieniami szybkości oraz wbudowany mikrofon do aktywacji dźwiękiem
- łatwe sterowanie dzięki przełącznikowi podłogowemu, funkcja wygaszenia

5. Opis

Patrz rysunki na stronie **2** i **3** niniejszej instrukcji.

A	złącze do reflektorów LED (4x)	J	segmentowy przełącznik dwustanowy
B	zacisk uziomowy	K	śruby montażowe
C	gniazdko sieciowe + bezpiecznik	L	poziome pokrętło nastawcze
D	pokrętło zabezpieczające statyw	M	pionowe pokrętło nastawcze (2 na reflektor)
E	wejście DMX	N	diody LED (4 na reflektor)
F	wyjście DMX	O	przełącznik podłogowy do wyboru programów
G	mikrofon	P	przełącznik podłogowy do regulacji dźwiękiem
H	pokrętło do regulacji czułości mikrofonu	Q	przełącznik podłogowy do funkcji zatrzymania
I	gniazdko przełącznika podłogowego	R	przełącznik podłogowy do funkcji zaciemniania

6. Instrukcje montażu

6.1 Wybór miejsca montażu



Rampa sceniczna **VDPLDJBAR6** została zaprojektowana z myślą o zastosowaniach wewnętrznych, w temperaturach nieprzekraczających 40°C. W celu zapewnienia bezawaryjnej pracy podczas obsługi należy zapewnić niezakłócony dostęp powietrza do metalowej obudowy urządzenia.

Nie należy:

- używać rampy w miejscach o temperaturze otoczenia przekraczającej 40°C i o wilgotności względnej ponad 75%.
- używać rampy w zamkniętych pomieszczeniach o powierzchni poniżej 10m³, o ile nie zapewniono wymuszonego obiegu powietrza.

6.2 Bezpieczny montaż



Ryzyko obrażeń ciała. Montaż nadziemny wymaga dużego doświadczenia: obliczanie limitów obciążenia, wybór materiałów montażowych ... Urządzenie oraz materiały należy regularnie kontrolować. Bez wymaganego doświadczenia nie należy próbować samodzielnie instalować urządzenia, gdyż może to prowadzić do obrażeń ciała.

Rampa **VDPLDJBAR6** została zaprojektowana z myślą o montażu na statywie (nie załączono) lub belce kratowej (nie załączono) przy pomocy dwóch zacisków (nie załączono).

Statyw:

- Należy dokładnie przestrzegać instrukcji obsługi statywu.
- Upewnić się, że średnica włożonej rurki statywu jest nie mniejsza niż 25 mm; w przeciwnym wypadku bezpieczny montaż nie może być zapewniony.
- Przymocować urządzenie do statywu i zabezpieczyć je mocno dokręcając pokrętkę **[D]** w kierunku przeciwnym do ruchu wskazówek zegara.

Montaż na belce kratowej:

- Instalację rampy powinna przeprowadzić wykwalifikowana osoba, zgodnie z normą EN 60598-2-17 i innymi odnośnymi normami.
- Konstrukcja nośna musi utrzymać przez godzinę bez odkształcania obciążenie 10 razy większe niż masa rampy.
- Wyjąć obie śruby **[K]** z rampy i zastąpić je 2 zaciskami belki kratowej (nie załączone).
Uwaga: ZAWSZE należy mocować rampę z zastosowaniem 2 zacisków!
- Instalacja musi być zawsze zabezpieczona dodatkowym elementem, np. przewodem bezpieczeństwa.
- Podczas montażu, zdejmowania lub serwisowania nigdy nie stawać bezpośrednio pod rampą. Raz do roku oraz przed rozpoczęciem użytkowania rampę należy poddać kontroli przeprowadzanej przez wykwalifikowanego technika.
- Rampę należy zamontować w mało uczęszczanym miejscu oraz w taki sposób, aby była niedostępna dla nieupoważnionych użytkowników.
- Należy upewnić się, że w promieniu 0,5 m od urządzenia nie znajduje się materiał łatwopalny.
- Przed rozpoczęciem użytkowania urządzenia instalacja musi zostać zatwierdzona przez eksperta.

4-drożny przełącznik podłogowy:

Podłączyć przełącznik podłogowy do oprawy oświetleniowej **[I]**.

6.3 Złącze DMX-512

Patrz rysunek na stronie **3** niniejszej instrukcji.

- O ile dotyczy, podłączyć przewód XLR do wyjścia żeńskiego XLR z trzema wtykami sterownika (nie załączono), a drugi koniec kabla do wejścia XLR z trzema wtykami **[E]** urządzenia **VDPLDJBAR6**. Urządzenia **VDPLDJBAR6** mogą być połączone ze sobą za pomocą łącza szeregowego. Jako łącza należy używać kabla dwurdzeniowego ekranowanego z wejściem XLR i złączami wyjściowymi.
- Do instalacji wymagających zastosowania przewodu DMX na długich odcinkach lub instalacji w miejscach, w których występują szumy elektryczne (np. w dyskotekach), zaleca się używanie terminatora DMX. Terminator zapobiega przekłamaniu cyfrowego sygnału sterującego wywołanemu szumem elektrycznym. Terminator DMX to wtyczka XLR z opornikiem 120Ω zainstalowanym między wtykiem 2 i 3, wkładana do gniazda wyjściowego XLR **[F]** ostatniego urządzenia w szeregu.

6.4 Podłączenie do źródła zasilania prądem przemiennym (AC)



Gniazdo AC zapewniające zasilanie rampy **VDPLDJBAR6** musi być odpowiednio i oddzielnie uziemione. Nie używać przewodu AC innego niż dołączony ani żadnego innego przewodu AC, który nie jest zatwierdzony przez producenta.

- Połączenia przewodów elektrycznych powinny być wykonane przez wykwalifikowanego elektryka.
- Podłączyć wtyczkę zasilającą rampy **[C]** do zasilania sieciowego. Należy upewnić się, że stosowany obwód zasilający jest zabezpieczony wyłącznikiem różnicowoprądowym (RCD) 30mA. Nie podłączać urządzenia do dimmera.
- Stopiony bezpiecznik należy zastąpić wyłącznie identycznym bezpiecznikiem (F1A/250V).

7. Obsługa

Patrz rysunek na stronie **2** niniejszej instrukcji.

Rampa **VDPLDJBAR6** może działać w pięciu trybach: **sterowania dźwiękiem, automatycznym, uprzywilejowanym / zależnym, DMX** oraz **podłogowym**.

Tryb sterowania dźwiękiem

1. Aby uruchomić tryb regulacji dźwiękiem, ustawić segmentowy przełącznik dwustanowy 10 w pozycji OFF (wył.).



2. Wyregulować czułość mikrofonu [G] używając pokrętkła do regulacji czułości mikrofonu [H].

Tryb automatyczny

1. Aby uruchomić tryb automatyczny, ustawić segmentowy przełącznik dwustanowy 9 w pozycji ON (wł.), a segmentowy przełącznik dwustanowy 10 w pozycji OFF (wył.).
2. Ustawić prędkość programu używając przełączników 1-3.

Tryb uprzywilejowany / zależny

1. Urządzenia **VDPLDJBAR6** połączyć jak opisano w punkcie 6.
2. Ustawić uprzywilejowane urządzenie **VDPLDJBAR6** w trybie sterowania dźwiękiem lub trybie automatycznym.
3. Aby uruchomić tryb zależny, ustawić segmentowy przełącznik dwustanowy 1 i 10 w urządzeniach zależnych w pozycji ON (wł.).

Tryb DMX

- Aby uruchomić tryb DMX, ustawić segmentowy przełącznik dwustanowy 10 w pozycji ON (wł.).
- Wszystkie urządzenia sterowane za pomocą DMX wymagają zastosowania cyfrowego adresu startowego w celu poprawnego reagowania na sygnały. Cyfrowy adres startowy to numer kanału, za pomocą którego urządzenie zaczyna „słuchać” sterownika DMX. Jeden adres startowy może być stosowany dla całej grupy urządzeń lub można ustawić oddzielny adres dla każdego urządzenia.
- Jeżeli wszystkie urządzenia posiadają ten sam adres, wówczas wszystkie jednostki będą „słuchać” sygnałów sterowania za pomocą jednego określonego kanału. Innymi słowy: zmiana ustawień jednego kanału będzie miała wpływ jednocześnie na wszystkie urządzenia. Jeżeli ustawione zostaną oddzielne adresy, wówczas każde urządzenie będzie „słuchało” sygnałów za pomocą oddzielnego kanału. Zmiana ustawień jednego kanału będzie więc miała wpływ tylko na odnośne urządzenie.
- W przypadku 15-kanałowej rampy **VDPLDJBAR6**, należy ustawić adres startowy pierwszego urządzenia na 1 (CH1~15), drugiego urządzenia na 16 (1 +15) (CH16~30), trzeciego urządzenia na 31 (16 + 15) (CH31~45) itd.
- Aby ustawić odpowiedni adres DMX, użyć segmentowych przełączników dwustanowych.



przełącznik	1	2	3	4	5	6	7	8	9
wartość	1	2	4	8	16	32	64	128	256

- W celu sprawdzenia sygnałów sterowania danego kanału należy skorzystać z poniższej tabeli.

Kanał	funkcja	Wartość DMX-512	Program sterowania
CH1	programy automatyczne	000 ~ 009	wył.
		010 ~ 029	Program 1
		030 ~ 049	Program 2
		050 ~ 069	Program 3
		070 ~ 089	Program 4
		090 ~ 109	Program 5
		110 ~ 129	Program 6
		130 ~ 149	Program 7
		150 ~ 169	Program 8
		170 ~ 189	Program 9
		190 ~ 209	Program 10
		210 ~ 229	Program 11
		230 ~ 249	Tryb automatyczny, programy wewnętrzne
		250 ~ 255	Tryb sterowania dźwiękiem

Kanał	funkcja	Wartość DMX-512	Program sterowania
CH2	uprzywilejowany dimmer	funkcja wył. przy uruchomionym CH1 lub CH3	
		000 ~ 000	wył.
		001 ~ 255	sterowanie światłem 0 ~ 100%
CH3	efekt stroboskopowy	000 ~ 000	wył.
		001 ~ 255	miganie: wolno/szybko
CH4	reflektor 1	000 ~255	światło czerwone ściemniające się od 0 ~ 100%
CH5	reflektor 1	000 ~255	światło zielone ściemniające się od 0 ~ 100%
CH6	reflektor 1	000 ~255	światło niebieskie ściemniające się od 0 ~ 100%
CH7	reflektor 2	000 ~255	światło czerwone ściemniające się od 0 ~ 100%
CH8	reflektor 2	000 ~255	światło zielone ściemniające się od 0 ~ 100%
CH9	reflektor 2	000 ~255	światło niebieskie ściemniające się od 0 ~ 100%
CH10	reflektor 3	000 ~255	światło czerwone ściemniające się od 0 ~ 100%
CH11	reflektor 3	000 ~255	światło zielone ściemniające się od 0 ~ 100%
CH12	reflektor 3	000 ~255	światło niebieskie ściemniające się od 0 ~ 100%
CH13	reflektor 4	000 ~255	światło czerwone ściemniające się od 0 ~ 100%
CH14	reflektor 4	000 ~255	światło zielone ściemniające się od 0 ~ 100%
CH15	reflektor 4	000 ~255	światło niebieskie ściemniające się od 0 ~ 100%

Przełącznik podłogowy

Uwaga: Przełącznik podłogowy działa jedynie wtedy, gdy rampa **VDPLDJBAR6** pracuje w trybie automatycznym lub trybie regulacji dźwiękiem.

Odłączyć przewód zasilający od **VDPLDJBAR6** i podłączyć przełącznik podłogowy do gniazdka przełącznika podłogowego **[I]**. Ponownie podłączyć przewód zasilający.

Funkcje przełącznika podłogowego:

przełącznik 1 (O)	ustawienia zaprogramowane	Wcisnąć, aby wybrać program wbudowany	
		1x	białe
		2x	czerwone
		3x	zielone
		4x	niebieskie
		5x	żółte
		6x	fioletowe
		7x	niebiesko-zielone
		8x	zmiana koloru co sekundę; cykl ciągły
9x	zmiana koloru co 3 sekundy; cykl ciągły		
przełącznik 2 (P)	sterowanie dźwiękiem:	wcisnąć, aby włączyć tryb sterowania dźwiękiem wcisnąć przełącznik 1 , aby wyłączyć tryb sterowania dźwiękiem	
przełącznik 3 (Q)	funkcja zatrzymania	zatrzymuje programy (8 i 9)	
przełącznik 4 (R)	funkcja zaciemnienia	Wcisnąć w dowolnym momencie, aby wyłączyć wszystkie diody LED. Wcisnąć ponownie, aby powrócić do poprzednich ustawień. Przytrzymać, aby wybrać funkcję stroboskopu.	

8. Czyszczenie i konserwacja

- Należy upewnić się, że wszystkie śruby są dokręcone i bez śladów korozji.
- Obudowa, widoczne części, podpory montażowe oraz miejsce instalacji (np. sufit, podwieszenie, belka kratowa) nie powinny być odkształcone, modyfikowane oraz nie można wprowadzać w nich zmian (np. wierząc dodatkowe otwory w podporach montażowych) ani zmieniać położenia połączeń.
- Ruchome części mechaniczne nie mogą nosić śladów zużycia.
- Przewody zasilające nie mogą być uszkodzone. Montaż urządzenia powinien przeprowadzić wykwalifikowany technik.
- Przed rozpoczęciem konserwacji należy odłączyć urządzenie od zasilania sieciowego.
- Regularnie przecierać urządzenie wilgotną, niepozostawiającą śladów ściereczką. Nie stosować alkoholu ani rozpuszczalników.

- W urządzeniu nie ma części, które wymagają prac serwisowych wykonywanych przez użytkownika.
- W celu uzyskania części zamiennych należy skontaktować się ze sprzedawcą

9. Specyfikacja techniczna

zasilanie	230VAC ~ 50Hz
bezpiecznik	F2A/250V
zużycie mocy	50W
diody LED	Trójkolorowe diody LED 16x 3W
kąt padania wiązki światła	15°
wymiary	950 x 45 x 230mm
masa całkowita	6kg

Urządzenie może być używane wyłącznie z oryginalnymi akcesoriami. Firma Velleman nv nie ponosi odpowiedzialności w przypadku uszkodzeń lub obrażeń ciała powstałych w wyniku (nieprawidłowej) obsługi urządzenia.

Więcej informacji o produkcie oraz najnowsza wersja niniejszej instrukcji obsługi znajdują się na stronie www.hqpower.eu.

Informacje zawarte w niniejszej instrukcji obsługi mogą ulec zmianie bez wcześniejszego powiadomienia.

© PRAWA AUTORSKIE ZASTRZEŻONE

Firma Velleman nv. posiada prawa autorskie do niniejszej instrukcji. Wszelkie prawa zastrzeżone.

Żadna część niniejszej instrukcji nie może być kopiowana, powielana, tłumaczona lub przenoszona na nośniki elektroniczne lub modyfikowana w inny sposób bez wcześniejszej pisemnej zgody właściciela praw autorskich.

EN**Velleman® Service and Quality Warranty**

Since its foundation in 1972, Velleman® acquired extensive experience in the electronics world and currently distributes its products in over 85 countries. All our products fulfil strict quality requirements and legal stipulations in the EU. In order to ensure the quality, our products regularly go through an extra quality check, both by an internal quality department and by specialized external organisations. If, all precautionary measures notwithstanding, problems should occur, please make appeal to our warranty (see guarantee conditions).

General Warranty Conditions Concerning Consumer Products (for EU):

- All consumer products are subject to a 24-month warranty on production flaws and defective material as from the original date of purchase.
- Velleman® can decide to replace an article with an equivalent article, or to refund the retail value totally or partially when the complaint is valid and a free repair or replacement of the article is impossible, or if the expenses are out of proportion. You will be delivered a replacing article or a refund at the value of 100% of the purchase price in case of a flaw occurred in the first year after the date of purchase and delivery, or a replacing article at 50% of the purchase price or a refund at the value of 50% of the retail value in case of a flaw occurred in the second year after the date of purchase and delivery.
- **Not covered by warranty:**
 - all direct or indirect damage caused after delivery to the article (e.g. by oxidation, shocks, falls, dust, dirt, humidity...), and by the article, as well as its contents (e.g. data loss), compensation for loss of profits;
 - consumable goods, parts or accessories that are subject to an aging process during normal use, such as batteries (rechargeable, non-rechargeable, built-in or replaceable), lamps, rubber parts, drive belts... (unlimited list);
 - flaws resulting from fire, water damage, lightning, accident, natural disaster, etc....;
 - flaws caused deliberately, negligently or resulting from improper handling, negligent maintenance, abusive use or use contrary to the manufacturer's instructions;
 - damage caused by a commercial, professional or collective use of the article (the warranty validity will be reduced to six (6) months when the article is used professionally);
 - damage resulting from an inappropriate packing and shipping of the article;
 - all damage caused by modification, repair or alteration performed by a third party without written permission by Velleman®.
- Articles to be repaired must be delivered to your Velleman® dealer, solidly packed (preferably in the original packaging), and be completed with the original receipt of purchase and a clear flaw description.
- Hint: In order to save on cost and time, please reread the manual and check if the flaw is caused by obvious causes prior to presenting the article for repair. Note that returning a non-defective article can also involve handling costs.
- Repairs occurring after warranty expiration are subject to shipping costs.
- The above conditions are without prejudice to all commercial warranties.

The above enumeration is subject to modification according to the article (see article's manual).

NL**Velleman® service- en kwaliteitsgarantie**

Velleman® heeft sinds zijn oprichting in 1972 een ruime ervaring opgebouwd in de elektronica wereld en verdeelt op dit moment producten in meer dan 85 landen. Al onze producten beantwoorden aan strikte kwaliteitseisen en aan de wettelijke bepalingen geldig in de EU. Om de kwaliteit te waarborgen, ondergaan onze producten op regelmatige tijdstippen een extra kwaliteitscontrole, zowel door onze eigen kwaliteitsafdeling als door externe gespecialiseerde organisaties. Mocht er ondanks deze voorzorgen toch een probleem optreden, dan kunt u steeds een beroep doen op onze waarborg (zie waarborgvoorwaarden).

Algemene waarborgvoorwaarden consumentengoederen (voor Europese Unie):

- Op alle consumentengoederen geldt een garantieperiode van 24 maanden op productie- en materiaalfouten en dit vanaf de oorspronkelijke aankoopdatum.
- Indien de klacht gegrond is en een gratis reparatie of vervanging van een artikel onmogelijk is of indien de kosten hiervoor buiten verhouding zijn, kan Velleman® beslissen het desbetreffende artikel te vervangen door een gelijkwaardig artikel of de aankoopsom van het artikel gedeeltelijk of volledig terug te betalen. In dat geval krijgt u een vervangend product of terugbetaling ter waarde van 100% van de aankoopsom bij ontdekking van een gebrek tot één jaar na aankoop en levering, of een vervangend product tegen 50% van de kostprijs of terugbetaling van 50 % bij ontdekking na één jaar tot 2 jaar.
- **Valt niet onder waarborg:**
 - alle rechtstreekse of onrechtstreekse schade na de levering veroorzaakt aan het toestel (bv. door oxidatie, schokken, val, stof, vuil, vocht...), en door het toestel, alsook zijn inhoud (bv. verlies van data), vergoeding voor eventuele winstderving.
 - verbruiksgoederen, onderdelen of hulpstukken die onderhevig zijn aan veroudering door normaal gebruik zoals bv. batterijen (zowel oplaadbare als niet-oplaadbare, ingebouwd of vervangbaar), lampen, rubberen onderdelen, aandrijfriemen... (onbeperkte lijst).
 - defecten ten gevolge van brand, waterschade, bliksem, ongevallen, natuurrampen, enz.
 - defecten veroorzaakt door opzet, nalatigheid of door een onoordeelkundige behandeling, slecht onderhoud of abnormaal gebruik of gebruik van het toestel strijdig met de voorschriften van de fabrikant.

- schade ten gevolge van een commercieel, professioneel of collectief gebruik van het apparaat (bij professioneel gebruik wordt de garantieperiode herleid tot 6 maand).
 - schade veroorzaakt door onvoldoende bescherming bij transport van het apparaat.
 - alle schade door wijzigingen, reparaties of modificaties uitgevoerd door derden zonder toestemming van Velleman®.
 - Toestellen dienen ter reparatie aangeboden te worden bij uw Velleman®-verdelers. Het toestel dient vergezeld te zijn van het oorspronkelijke aankoopbewijs. Zorg voor een degelijke verpakking (bij voorkeur de originele verpakking) en voeg een duidelijke foutomschrijving bij.
 - Tip: alvorens het toestel voor reparatie aan te bieden, kijk nog eens na of er geen voor de hand liggende reden is waarom het toestel niet naar behoren werkt (zie handleiding). Op deze wijze kunt u kosten en tijd besparen. Denk eraan dat er ook voor niet-defecte toestellen een kost voor controle aangerekend kan worden.
 - Bij reparaties buiten de waarborgperiode zullen transportkosten aangerekend worden.
 - Elke commerciële garantie laat deze rechten onverminderd.
- Bovenstaande opsomming kan eventueel aangepast worden naargelang de aard van het product (zie handleiding van het betreffende product).**

FR**Garantie de service et de qualité Velleman®**

Depuis 1972, Velleman® a gagné une vaste expérience dans le secteur de l'électronique et est actuellement distributeur dans plus de 85 pays.

Tous nos produits répondent à des exigences de qualité rigoureuses et à des dispositions légales en vigueur dans l'UE. Afin de garantir la qualité, nous soumettons régulièrement nos produits à des contrôles de qualité supplémentaires, tant par notre propre service qualité que par un service qualité externe. Dans le cas improbable d'un défaut malgré toutes les précautions, il est possible d'invoquer notre garantie (voir les conditions de garantie).

Conditions générales concernant la garantie sur les produits grand public (pour l'UE) :

- tout produit grand public est garanti 24 mois contre tout vice de production ou de matériaux à dater du jour d'acquisition effective ;
- si la plainte est justifiée et que la réparation ou le remplacement d'un article est jugé impossible, ou lorsque les coûts s'avèrent disproportionnés, Velleman® s'autorise à remplacer ledit article par un article équivalent ou à rembourser la totalité ou une partie du prix d'achat. Le cas échéant, il vous sera consenti un article de remplacement ou le remboursement complet du prix d'achat lors d'un défaut dans un délai de 1 an après l'achat et la livraison, ou un article de remplacement moyennant 50% du prix d'achat ou le remboursement de 50% du prix d'achat lors d'un défaut après 1 à 2 ans.
- **sont par conséquent exclus :**
 - tout dommage direct ou indirect survenu à l'article après livraison (p.ex. dommage lié à l'oxydation, choc, chute, poussière, sable, impureté...) et provoqué par l'appareil, ainsi que son contenu (p.ex. perte de données) et une indemnisation éventuelle pour perte de revenus ;
 - toute pièce ou accessoire nécessitant un remplacement causé par un usage normal comme p.ex. piles (rechargeables comme non rechargeables, intégrées ou remplaçables), ampoules, pièces en caoutchouc, courroies... (liste illimitée) ;
 - tout dommage qui résulte d'un incendie, de la foudre, d'un accident, d'une catastrophe naturelle, etc. ;
 - out dommage provoqué par une négligence, volontaire ou non, une utilisation ou un entretien incorrect, ou une utilisation de l'appareil contraire aux prescriptions du fabricant ;
 - tout dommage à cause d'une utilisation commerciale, professionnelle ou collective de l'appareil (la période de garantie sera réduite à 6 mois lors d'une utilisation professionnelle) ;
 - tout dommage à l'appareil qui résulte d'une utilisation incorrecte ou différente que celle pour laquelle il a été initialement prévu comme décrit dans la notice ;
 - tout dommage engendré par un retour de l'appareil emballé dans un conditionnement non ou insuffisamment protégé.
 - toute réparation ou modification effectuée par une tierce personne sans l'autorisation explicite de SA Velleman® ; - frais de transport de et vers Velleman® si l'appareil n'est plus couvert sous la garantie.
 - toute réparation sera fournie par l'endroit de l'achat. L'appareil doit nécessairement être accompagné du bon d'achat d'origine et être dûment conditionné (de préférence dans l'emballage d'origine avec mention du défaut) ;
 - tuyau : il est conseillé de consulter la notice et de contrôler câbles, piles, etc. avant de retourner l'appareil. Un appareil retourné jugé défectueux qui s'avère en bon état de marche pourra faire l'objet d'une note de frais à charge du consommateur ;
 - une réparation effectuée en-dehors de la période de garantie fera l'objet de frais de transport ;
 - toute garantie commerciale ne porte pas atteinte aux conditions susmentionnées.

La liste susmentionnée peut être sujette à une complément selon le type de l'article et être mentionnée dans la notice d'emploi.

ES**Garantía de servicio y calidad Velleman®**

Desde su fundación en 1972 Velleman® ha adquirido una amplia experiencia como distribuidor en el sector de la electrónica en más de 85 países. Todos nuestros productos responden a normas de calidad rigurosas y disposiciones legales vigentes en la UE. Para garantizar la calidad, sometemos nuestros productos regularmente a controles de calidad adicionales, tanto a través de nuestro propio servicio de calidad como de un servicio de calidad externo. En el caso improbable de que surgieran problemas a pesar de todas las precauciones, es posible recurrir a nuestra garantía (véase las condiciones de garantía).

Condiciones generales referentes a la garantía sobre productos de venta al público (para la Unión Europea):

- Todos los productos de venta al público tienen un periodo de garantía de 24 meses contra errores de producción o errores en materiales desde la adquisición original;
- Si la queja está fundada y si la reparación o sustitución de un artículo no es posible, o si los gastos son desproporcionados, Velleman® autoriza reemplazar el artículo por un artículo equivalente o reembolsar la totalidad o una parte del precio de compra. En este caso, usted recibirá un artículo de recambio o el reembolso completo del precio de compra si encuentra algún fallo hasta un año después de la compra y entrega, o un artículo de recambio al 50% del precio de compra o el reembolso del 50% del precio de compra si encuentra un fallo después de 1 año y hasta los 2 años después de la compra y entrega.

Por consiguiente, están excluidos entre otras cosas:

- todos los daños causados directa o indirectamente al aparato (p.ej. por oxidación, choques, caída,...) y a su contenido (p.ej. pérdida de datos) después de la entrega y causados por el aparato, y cualquier indemnización por posible pérdida de ganancias;
- partes o accesorios, que estén expuestos al desgaste causado por un uso normal, como por ejemplo baterías (tanto recargables como no recargables, incorporadas o reemplazables), bombillas, partes de goma, etc. (lista ilimitada);
- defectos causados por un incendio, daños causados por el agua, rayos, accidentes, catástrofes naturales, etc.;
- defectos causados a conciencia, descuido o por malos tratos, un mantenimiento inapropiado o un uso anormal del aparato contrario a las instrucciones del fabricante;
- daños causados por un uso comercial, profesional o colectivo del aparato (el periodo de garantía se reducirá a 6 meses con uso profesional);
- daños causados por un uso incorrecto o un uso ajeno al que está previsto el producto inicialmente como está descrito en el manual del usuario;
- daños causados por una protección insuficiente al transportar el aparato.
- daños causados por reparaciones o modificaciones efectuadas por una tercera persona sin la autorización explícita de Velleman®;
- se calcula gastos de transporte de y a Velleman® si el aparato ya no está cubierto por la garantía.
- Cualquier artículo que tenga que ser reparado tendrá que ser devuelto a su distribuidor Velleman®. Devuelva el aparato con la factura de compra original y transpórtelo en un embalaje sólido (preferentemente el embalaje original). Incluya también una buena descripción del fallo;
- Consejo: Lea el manual del usuario y controle los cables, las pilas, etc. antes de devolver el aparato. Si no se encuentra un defecto en el artículo los gastos podrían correr a cargo del cliente;
- Los gastos de transporte correrán a cargo del cliente para una reparación efectuada fuera del periodo de garantía.
- Cualquier gesto comercial no disminuye estos derechos.

La lista previamente mencionada puede ser adaptada según el tipo de artículo (véase el manual del usuario del artículo en cuestión).**DE****Velleman® Service- und Qualitätsgarantie**

Seit der Gründung in 1972 hat Velleman® sehr viel Erfahrung als Verteiler in der Elektronikwelt in über 85 Ländern aufgebaut. Alle Produkte entsprechen den strengen Qualitätsforderungen und gesetzlichen Anforderungen in der EU. Um die Qualität zu gewährleisten werden unsere Produkte regelmäßig einer zusätzlichen Qualitätskontrolle unterworfen, sowohl von unserer eigenen Qualitätsabteilung als auch von externen spezialisierten Organisationen. Sollten, trotz aller Vorsichtsmaßnahmen, Probleme auftreten, nehmen Sie bitte die Garantie in Anspruch (siehe Garantiebedingungen).

Allgemeine Garantiebedingungen in Bezug auf Konsumgüter (für die Europäische Union):

- Alle Produkte haben für Material- oder Herstellungsfehler eine Garantieperiode von 24 Monaten ab Verkaufsdatum.
- Wenn die Klage berechtigt ist und falls eine kostenlose Reparatur oder ein Austausch des Gerätes unmöglich ist, oder wenn die Kosten dafür unverhältnismäßig sind, kann Velleman® sich darüber entscheiden, dieses Produkt durch ein gleiches Produkt zu ersetzen oder die Kaufsumme ganz oder teilweise zurückzahlen. In diesem Fall erhalten Sie ein Ersatzprodukt oder eine Rückzahlung im Werte von 100% der Kaufsumme im Falle eines Defektes bis zu 1 Jahr nach Kauf oder Lieferung, oder Sie bekommen ein Ersatzprodukt im Werte von 50% der Kaufsumme oder eine Rückzahlung im Werte von 50 % im Falle eines Defektes im zweiten Jahr.
- **Von der Garantie ausgeschlossen sind:**
 - alle direkten oder indirekten Schäden, die nach Lieferung am Gerät und durch das Gerät verursacht werden (z.B. Oxidation, Stöße, Fall, Staub, Schmutz, Feuchtigkeit, ...), sowie auch der Inhalt (z.B. Datenverlust), Entschädigung für eventuellen Gewinnausfall.
 - Verbrauchsgüter, Teile oder Zubehörteile, die durch normalen Gebrauch dem Verschleiß ausgesetzt sind, wie z.B. Batterien (nicht nur aufladbare, sondern auch nicht aufladbare, eingebaute oder ersetzbare), Lampen, Gummiteile, Treibriemen, usw. (unbeschränkte Liste).

- Schäden verursacht durch Brandschaden, Wasserschaden, Blitz, Unfälle, Naturkatastrophen, usw.
 - Schäden verursacht durch absichtliche, nachlässige oder unsachgemäße Anwendung, schlechte Wartung, zweckentfremdete Anwendung oder Nichtbeachtung von Benutzerhinweisen in der Bedienungsanleitung.
 - Schäden infolge einer kommerziellen, professionellen oder kollektiven Anwendung des Gerätes (bei gewerblicher Anwendung wird die Garantieperiode auf 6 Monate zurückgeführt).
 - Schäden verursacht durch eine unsachgemäße Verpackung und unsachgemäßen Transport des Gerätes.
 - alle Schäden verursacht durch unautorisierte Änderungen, Reparaturen oder Modifikationen, die von einem Dritten ohne Erlaubnis von Velleman® vorgenommen werden.
 - Im Fall einer Reparatur, wenden Sie sich an Ihren Velleman®-Verteiler. Legen Sie das Produkt ordnungsgemäß verpackt (vorzugsweise die Originalverpackung) und mit dem Original-Kaufbeleg vor. Fügen Sie eine deutliche Fehlerbeschreibung hinzu.
 - Hinweis: Um Kosten und Zeit zu sparen, lesen Sie die Bedienungsanleitung nochmals und überprüfen Sie, ob es keinen auf de Hand liegenden Grund gibt, ehe Sie das Gerät zur Reparatur zurückschicken. Stellt sich bei der Überprüfung des Gerätes heraus, dass kein Geräteschaden vorliegt, könnte dem Kunden eine Untersuchungspauschale berechnet.
 - Für Reparaturen nach Ablauf der Garantiefrist werden Transportkosten berechnet.
 - Jede kommerzielle Garantie lässt diese Rechte unberührt.
- Die oben stehende Aufzählung kann eventuell angepasst werden gemäß der Art des Produktes (siehe Bedienungsanleitung des Gerätes).**

PL**Velleman® usługi i gwarancja jakości**

Od czasu założenia w 1972, Velleman® zdobył bogate doświadczenie w dziedzinie światowej elektroniki. Obecnie firma dystrybuuje swoje produkty w ponad 85 krajach.

Wszystkie nasze produkty spełniają surowe wymagania jakościowe oraz wypełniają normy i dyrektywy obowiązujące w krajach UE. W celu zapewnienia najwyższej jakości naszych produktów, przechodzą one regularne oraz dodatkowo wyrywkowe badania kontroli jakości, zarówno naszego wewnętrznego działu jakości jak również wyspecjalizowanych firm zewnętrznych. Pomimo dołożenia wszelkich starań czasem mogą pojawić się problemy techniczne, prosimy odwołać się do gwarancji (patrz warunki gwarancji).

Ogólne Warunki dotyczące gwarancji:

- Wszystkie produkty konsumenckie podlegają 24-miesięcznej gwarancji na wady produkcyjne i materiałowe od daty zakupu.
- W przypadku, gdy usterka jest niemożliwa do usunięcia lub koszt usunięcia jest nadmiernie wysoki Velleman® może zdecydować o wymianie artykułu na nowy, wolny od wad lub zwrócić zapłaconą kwotę. Zwrot gotówki może jednak nastąpić z uwzględnieniem poniższych warunków:
 - zwrot 100% ceny zakupu w przypadku, gdy wada wystąpiła w ciągu pierwszego roku od daty zakupu i dostawy
 - wymiana wadliwego artykułu na nowy, wolny od wad z odpłatnością 50% ceny detalicznej lub zwrot 50% kwoty ceny nabycia w przypadku gdy wada wystąpiła w drugim roku od daty zakupu i dostawy.
- **Produkt nie podlega naprawie gwarancyjnej:**
 - gdy wszystkie bezpośrednio lub pośrednio szkody spowodowane są działaniem czynników środowiskowych lub losowych (np. przez utlenianie, wstrząsy, upadki, kurz, brud, ...), wilgotności;
 - gwarant nie ponosi odpowiedzialności za szkody wynikających z utraty danych;
 - produkty konsumenckie, części zamienne lub akcesoria podatne na process starzenia, wynikającego z normalnego użytkowania, np: baterie (ładowalne, nieladowalne, wbudowane lub wymienne), żarówki, paski napędowe, gumowe elementy napędowe... (nieograniczona lista);
 - usterka wynika z działania pożaru, zalania wszelkimi cieczami, uderzenia pioruna, upadku lub kłęski żywiołowej, itp.;
 - usterka wynika z zaniedbań eksploatacyjnych tj. umyślne bądź nieumyślne zaniechanie czyszczenia, konserwacji, wymiany materiałów eksploatacyjnych, niedbaństwa lub z niewłaściwego obchodzenia się lub niezgodnego użytkowania z instrukcją producenta;
 - szkody wynikające z nadmiernego użytkowania gdy nie jest do tego celu przeznaczony tj. działalność komercyjna, zawodowa lub wspólne użytkowanie przez wiele osób - okres obowiązywania gwarancji zostanie obniżony do 6 (sześć) miesięcy;
 - Szkody wynikające ze złe zabezpieczonej wysyłki produktu;
 - Wszelkie szkody spowodowane przez nieautoryzowaną naprawę, modyfikację, przeróbkę produktu przez osoby trzecie jak również bez pisemnej zgody firmy Velleman®.
 - Uszkodzony produkt musi zostać dostarczony do sprzedawcy® Velleman, solidnie zapakowany (najlepiej w oryginalnym opakowaniu), wraz z wyposażeniem z jakim produkt został sprzedany. W przypadku wysyłki towaru w opakowaniu innym niż oryginalnym ryzyko usterki produktu oraz tego skutki przechodzą na właściciela produktu. Wraz z niesprawnym produktem należy dołączyć jasny i szczegółowy opis jego usterki, wady;
 - Wskazówka: Aby zaoszczędzić na kosztach i czasie, proszę szczegółowo zapoznać się z instrukcją obsługi; czy przyczyną wady są okoliczności techniczne czy też wynikają wyłącznie z nieznanymi obsługu produktu. W przypadku wysyłki sprawnego produktu do serwisu nabywca może zostać obciążony kosztami obsługi oraz transportu.
 - W przypadku napraw pogwarancyjnych lub odpłatnych klient ponosi dodatkowo koszt wysyłki produktu do i z serwisu. wymienione wyżej warunki są bez uszczerbku dla wszystkich komercyjnych gwarancji.

Powyzsze postanowienia mogą podlegać modyfikacji w zależności od wyrobu (patrz art obsługi).