



DOUGHTY ENGINEERING LTD

Part No:

SEE SHEET

Description:

STUDIO RAIL

Weight:

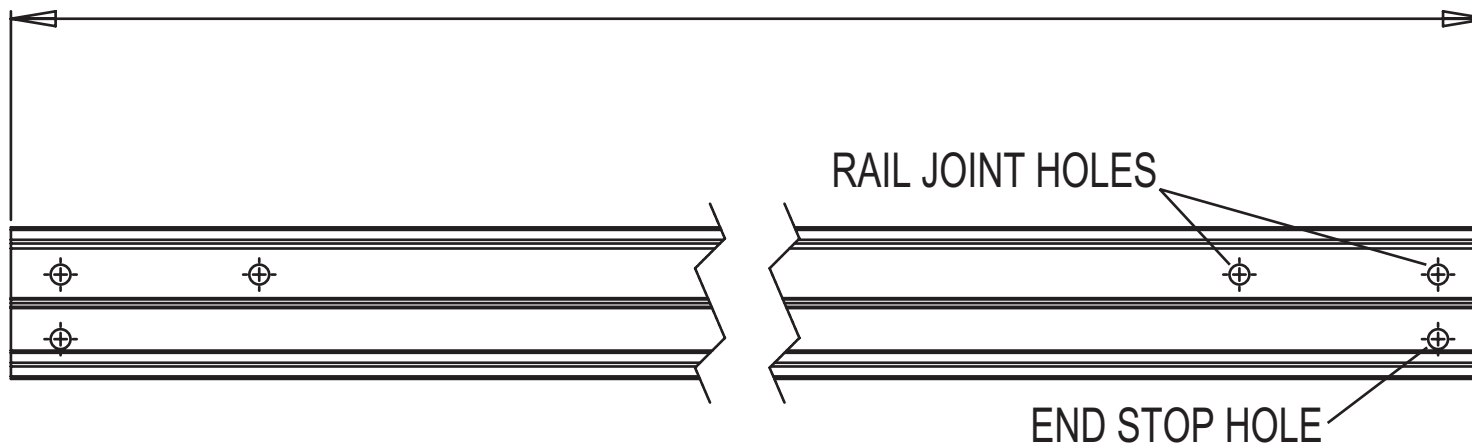
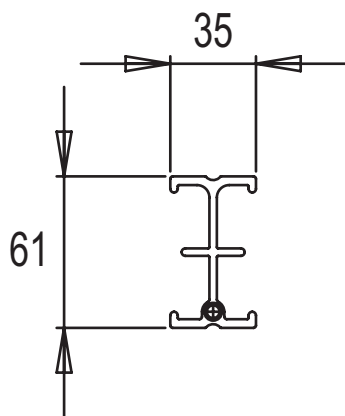
1.45 Kg/m

SWL: 100 KG

MAXIMUM RECOMMENDED DISTANCE BETWEEN SUSPENSION POINTS = 1500MM

SILVER
T84000 - 2.0M
T84005 - 3.0M
T84010 - 4.0M
T84015 - 6.0M

BLACK
T84035 - 2.0M
T84040 - 3.0M
T84045 - 4.0M
T84050 - 6.0M



↓ MAXIMUM LOAD BETWEEN 1500MM SPACED SUSPENSION POINTS = 100 KG ↓