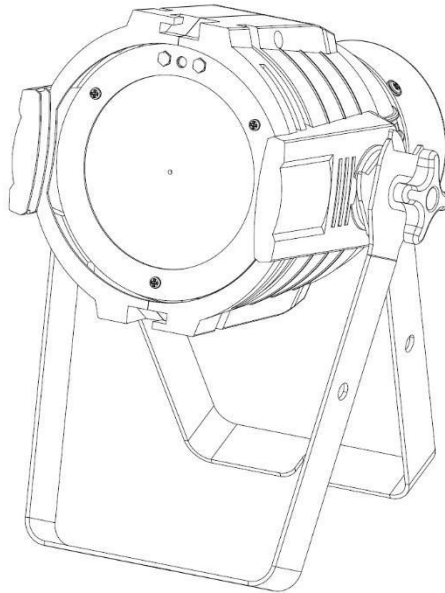


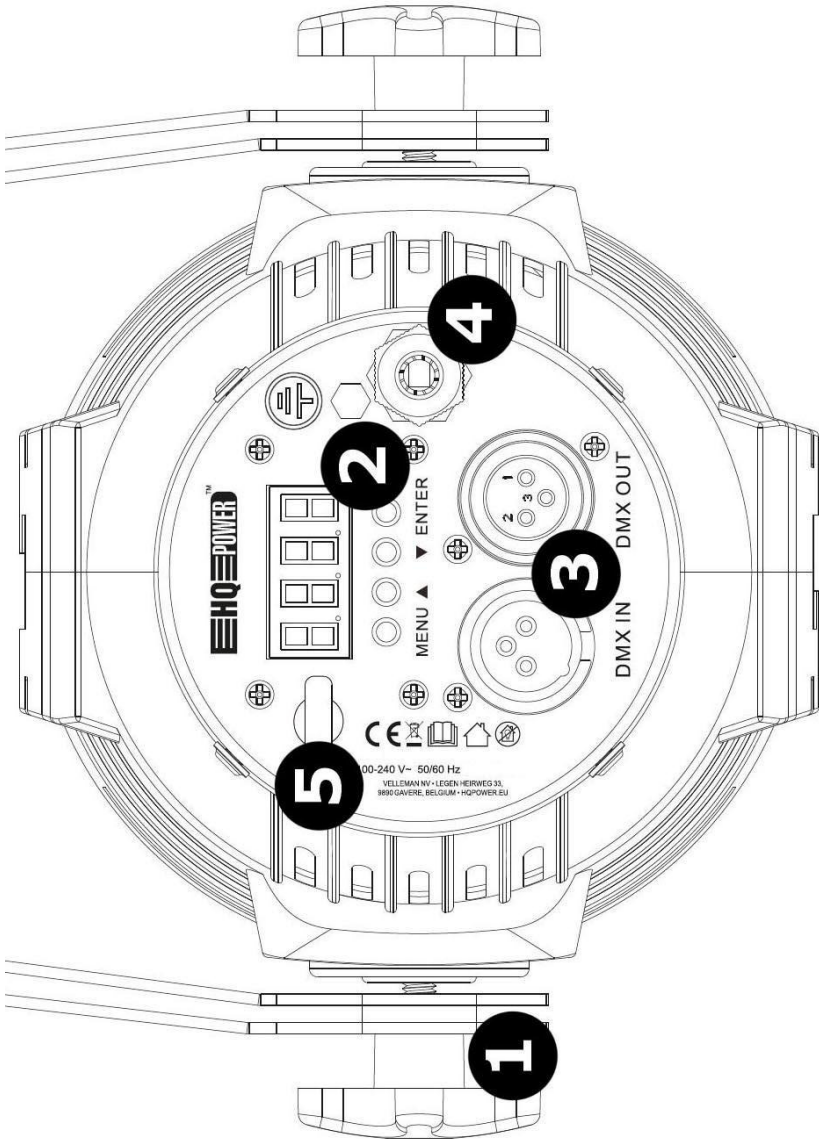
HQLP10002/HQLP10003

PAR38 - 30 W COB LED



USER MANUAL	6
HANDLEIDING	12
MODE D'EMPLOI	18
MANUAL DEL USUARIO	24
BEDIENUNGSANLEITUNG	30
INSTRUKCJA OBSŁUGI	36
MANUAL DO UTILIZADOR	42





2 CH

channel	from	to	function
1	0	255	master dimming (0-100 %)
2	0	9	no function
	10	19	red
	20	29	green
	30	39	blue
	40	49	white
	50	59	yellow
	60	69	magenta
	70	79	cyan
	80	89	dark orange
	90	99	green yellow
	100	109	salmon
	110	119	turquoise
	120	129	light green
	130	139	orange
	140	149	straw
	150	159	lavender
	160	169	light blue
	170	179	dark blue
	180	189	pink
190	199	cool white	
200	255	warm white	

3 CH

channel	from	to	function
1	0	255	red (0-100 %)
2	0	255	green (0-100 %)
3	0	255	blue (0-100 %)

4 CH

channel	from	to	function
1	0	255	red (0-100 %)
2	0	255	green (0-100 %)
3	0	255	blue (0-100 %)
4	0	255	white (0-100 %)

5 CH

channel	from	to	function
1	0	255	master dimming (0-100 %)
2	0	255	stroboscope (0-100 %)
3	0	9	no function
	10	19	red
	20	29	green
	30	39	blue
	40	49	white
	50	59	yellow
	60	69	magenta
	70	79	cyan
	80	89	dark orange
	90	99	green yellow
	100	109	salmon
	110	119	turquoise
	120	129	light green
	130	139	orange
	140	149	straw
	150	159	lavender
	160	169	light blue
	170	179	dark blue
	180	189	pink
	190	199	cool white
200	255	warm white	
4	0	9	no function
	10	39	colour blending 1
	40	69	colour change 1
	70	99	colour blending 2
	100	129	colour change 2
	130	159	sound colour blending 1
	160	189	sound colour change 1
	190	219	sound colour blending 2
220	255	sound colour change 2	
5	0	9	no function
	10	59	white 2700K
	60	109	white 3200K
	110	159	white 4300K
	160	209	white 5600K
	210	255	white 6500K

9 CH

channel	from	to	function
1	0	255	master dimming (0-100 %)
2	0	255	stroboscope (0-100 %)
3	0	255	red (0-100 %)
4	0	255	green (0-100 %)
5	0	255	blue (0-100 %)
6			white (0-100 %)
7	0	9	no function
	10	19	red
	20	29	green
	30	39	blue
	40	49	white
	50	59	yellow
	60	69	magenta
	70	79	cyan
	80	89	dark orange
	90	99	green yellow
	100	109	salmon
	110	119	turquoise
	120	129	light green
	130	139	orange
	140	149	straw
	150	159	lavender
	160	169	light blue
170	179	dark blue	
180	189	pink	
190	199	cool white	
200	255	warm white	
8	0	9	no function
	10	39	colour blending 1
	40	69	colour change 1
	70	99	colour blending 2
	100	129	colour change 2
	130	159	sound colour blending 1
	160	189	sound colour change 1
	190	219	sound colour blending 2
220	255	sound colour change 2	
9	0	9	no function
	10	59	white 2700K
	60	109	white 3200K
	110	159	white 4300K
	160	209	white 5600K
	210	255	white 6500K

USER MANUAL

1. Introduction

To all residents of the European Union

Important environmental information about this product



This symbol on the device or the package indicates that disposal of the device after its lifecycle could harm the environment. Do not dispose of the unit (or batteries) as unsorted municipal waste; it should be taken to a specialized company for recycling. This device should be returned to your distributor or to a local recycling service. Respect the local environmental rules.

If in doubt, contact your local waste disposal authorities.

Thank you for choosing HQPower™! Please read the manual thoroughly before bringing this device into service. If the device was damaged in transit, do not install or use it and contact your dealer.

2. Safety Instructions



- This device can be used by children aged from 8 years and above, and persons with reduced physical, sensory or mental capabilities or lack of experience and knowledge if they have been given supervision or instruction concerning the use of the device in a safe way and understand the hazards involved. Children shall not play with the device. Cleaning and user maintenance shall not be made by children without supervision.
- Always connect the device to a grounded circuit to avoid risk of electrocution.
- Always disconnect mains power when the device is not in use or when servicing or maintenance activities are performed. Handle the power cord by the plug only.
- If the external flexible cable or cord of this device is damaged, it shall be replaced by a special cord or cord exclusively available from the manufacturer or his service agent.
- All cords and cables should be routed so that they will not be walked on or pinched by items placed upon or against them. Pay particular attention to the point where they exit the unit.
- Remove all flammable materials close to the device before switching on.
- Do not install the device on a flammable surface (linoleum, carpet, wood, paper, cardboard, plastic, etc.).
- Protect this device from heat sources such as radiators, heat registers, stoves, or other appliances (including amplifiers) that produce heat.
- Do not remove the cover under any conditions. There are no user-serviceable parts inside. Never operate this device when its cover is removed.
- Do not operate a visibly damaged device. Do not attempt to operate this device if the power cord has been frayed or broken.
- Always mount this device in a safe and stable manner. Mount this device in an area that will allow proper ventilation. Allow about 15 cm between this device and a wall.
- This device should only be serviced by qualified service personnel.
- Do not use the luminaire with a cracked or broken protective shield. Disconnect immediately from the mains. The protective shield is not replaceable.



- Familiarise yourself with the functions of the device before actually using it.
- Keep this manual for future reference.
- Always make sure to connect the device to an alternating current matching the value stated on the device.
- Always install the device in a well-ventilated location.
- Keep this device away from dust and extreme temperatures. Make sure the ventilation openings are clear at all times. For sufficient air circulation, leave at least 2.5 cm in front of the openings.
- Never connect the device to a dimmer or rheostat.
- Never carry or move the device from the power cord or any other moving part. Always use the bracket.



- In the event of an operating problem, stop using the device immediately.
- Never try to repair the device. There are no user-serviceable parts inside the device. Refer to an authorized dealer for service and/or spare parts.
- This device is not designed for permanent operation: regular operation breaks will prolong its life.



- Indoor use only. Keep this device away from rain, moisture, splashing and dripping liquids. Never put objects filled with liquids on top of or close to the device.



- This device is not suitable for ordinary lighting in household room illumination.

3. Warranty

- Refer to the Velleman® Service and Quality Warranty on the last pages of this manual.
- All modifications of the device are forbidden for safety reasons. Damage caused by user modifications to the device is not covered by the warranty.
- Only use the device for its intended purpose. Using the device in an unauthorised way will void the warranty.
- Damage caused by disregard of certain guidelines in this manual is not covered by the warranty and the dealer will not accept responsibility for any ensuing defects or problems.
- Nor Velleman nv nor its dealers can be held responsible for any damage (extraordinary, incidental or indirect) – of any nature (financial, physical...) arising from the possession, use or failure of this product.

4. Installation

4.1 General Guidelines



- Have the device installed by a qualified person, respecting all applicable norms.
- Install the device on an even, fire-resistant, scratch-resistant, water-resistant and non-slippery surface.
- The carrying construction must be able to support 10 times the weight of the device for 1 hour without deforming.
- Make sure there is no flammable material within a 1 m radius of the device.
- Install the device in a location with few passers-by that is inaccessible to unauthorised persons.
- Install the device in a location where you can easily access the power cord.
- Install the device in a well-ventilated area.

4.2 Overhead Installation



- When hung, the device must always be secured with a secondary attachment e.g. a safety cable(not incl.).
- Never stand directly below the device when it is being mounted, removed or serviced. Have a qualified technician check the device once a year and once before you bring it into service.
- Overhead mounting requires extensive experience: calculating workload limits, determining the installation material to be used... Have the material and the device itself checked regularly. Do not attempt to install the device yourself if you lack these qualifications as improper installation may result in injuries.
- For truss mounting, use an appropriate clamp (not incl.) and fit an M10 bolt through the centre of the (folded) bracket.

4.3 Secondary Suspension



Hanger

Where a hanger is provided, the bearing parts of the hanger shall be capable of supporting ten (10) times the weight of the luminaire without permanent deformation and shall be manufactured from non-combustible materials such as steel or its equivalent.

Accessories

The design of the luminaire shall be such that removable accessories, e.g. colour frames and barn doors, when properly inserted, cannot fall out of the luminaire.

Secondary Suspension

A secondary suspension shall be provided for the luminaire, except where the luminaire is arranged for floor mounting or if it is intended for handheld use. The secondary suspension shall be designed and mounted in such a way that in the event of a failure of the primary suspension, no part of the luminaire can fall. The secondary suspension must withstand a 30 cm vertical drop for 30 times.

4.4 Connection



- Have a qualified electrician carry out the electric connection.
- Connect the device to the mains with the power plug. All devices must be powered directly off a grounded switched circuit. Do not connect to a dimmer pack.
- The installation has to be approved by an expert before the device is taken into service.

5. Overview

Refer to the illustrations on page 2 of this manual.

1	bracket
2	display + menu buttons
3	DMX input and output

4	power input
5	safety eye

6. Operation

The device can be used in the following modes:

- stand-alone mode
- master/slave
- with a DMX-512 controller.

6.1 Control Panel

Access the control panel functions using the four panel buttons located around the display.

Menu	scroll through the menu options
▲	upwards through the menu list
▼	downwards through the menu list
Enter	confirm a selection

6.2 Menu

mode	programming		description
DMX mode	Addr	9CH	d001-d512
		5CH	
		4CH	
		3CH	
		2CH	
static colours	Stat	S 01-25	static colours
auto	Auto	Au 1-4	auto programme
sound	Soun	So 1-4	sound programme
speed	SPEE	SP 1-9	speed
mic sensitivity	SEnS	SE 1-9	microphone sensitivity
colour edit	Colo	r000-255	red
		g000-255	green
		b000-255	blue
		u000-255	white
dimming	dIMM	dl 1-9	dimming brightness
silent save	SILE	on-off	sound mode silent scene
slave	SLAU	Slave	slave
IR	InFr	on-off	IR on-off

6.3 Stand-Alone Mode

The device starts running in stand-alone mode after connection to the mains. This mode allows you to use the device without controller.

6.4 Master/Slave Mode

- The master/slave mode allows for connecting several devices to a single master device in a daisy chain.
- All slave devices will then work synchronously with the master device.
- Configure all slave units before connecting the master unit to the daisy chain.

6.5 DMX Mode

The DMX mode allows you to control the device with any universal DMX controller.

- All DMX-controlled devices need a digital start address so that the correct device responds to the signals. This digital start address is the channel number from which the device starts to "listen" to the DMX controller. The same starting address can be used for a whole group of devices or an individual address can be set for every device.
- When all devices have the same address, all the units will "listen" to the control signal on one particular channel. In other words: changing the settings of one channel will affect all devices simultaneously. If you set individual addresses, each device will "listen" to a separate channel number. Changing the settings of one channel will only affect the device in question.

6.6 DMX Channel Values

Refer to page 3 of this manual.

7. IR Remote Controller

BLACK OUT

Press this button to black out the current active mode. Press again to return.

AUTO

Enables you to run the automatic programmes.

1. Press <AUTO>.
2. Press <+> or <-> to choose the different programmes.

SOUND

Enables you to run the sound-controlled programmes.

1. Press <SOUND>.
2. Press <+> or <-> to choose the different programmes.

STROBE

Press this button to activate the stroboscope. Press again to de-activate.

1. Press <STROBE>.
2. Press <+> or <-> to adjust the strobe speed.

SPEED

Enables you to adjust the speed of the automatic programmes.

1. Press <SPEED>.
2. Press <+> or <-> to choose the programme.

SENSITIVITY

Press this button to adjust the sensitivity of the sound-controlled programmes.

1. Press <SENSITIVITY>.
2. Press <+> or <-> to adjust the sound sensitivity.

DMX/%

Allows you to activate/de-activate the DMX mode.

MANUAL

Press this button to activate/de-activate the manual mode.

1. Press <MANUAL>.
2. Select your colour.
3. Press <+> or <-> to select static colours.

FADE

Press <FADE> to enable or disable the fader.

1-9

1. Press <1> to <9> to adjust the colour intensity.

8. Cleaning and Maintenance

Before starting any cleaning or maintenance activities:

1. Unplug the device's power cord from the outlet.
2. Let the device cool down.

Cleaning

- Use normal glass cleaner and a soft cloth to wipe off the outside casing.
- Always be sure to dry all parts completely before plugging the device back in.
- Cleaning frequency depends on the environment in which the unit operates (i.e. smoke, fog residue, dust, dew).
- Do not immerse the device in any liquid.

Maintenance

- All screws should be tightened and free of corrosion.
- The housing, the lenses, the mounting supports and the installation location (e.g. ceiling, suspension, trussing) should not be deformed, modified or tampered with; e.g. do not drill extra holes in mounting supports, do not change the location of the connections...
- Mechanically moving parts must not show any signs of wear and tear.
- The electric power supply cables must not show any damage. Have a qualified technician maintain the device.
- There are no user-serviceable parts, apart from the fuse and the lamp.
- Refer to an authorized dealer for service and/or spare parts.

9. Technical Specifications

power supply	100-240 V~, 50/60 Hz
power consumption	25 W, pf 0.53
colour	
HQLP10002	black
HQLP10003	white
light source	1 x 30 W COB RGBW
beam angle	25°
dimensions.....	270 x 200 x 140 mm
weight	1.6 kg

Use this device with original accessories only. Velleman nv cannot be held responsible in the event of damage or injury resulting from (incorrect) use of this device. For more info concerning this product and the latest version of this manual, please visit our website www.hqpower.eu. The information in this manual is subject to change without prior notice.

© COPYRIGHT NOTICE

The copyright to this manual is owned by Velleman nv. All worldwide rights reserved. No part of this manual may be copied, reproduced, translated or reduced to any electronic medium or otherwise without the prior written consent of the copyright holder.

HANDLEIDING

1. Inleiding

Aan alle ingezetenen van de Europese Unie

Belangrijke milieu-informatie betreffende dit product



Dit symbool op het toestel of de verpakking geeft aan dat, als het na zijn levenscyclus wordt weggeworpen, dit toestel schade kan toebrengen aan het milieu. Gooi dit toestel (en eventuele batterijen) niet bij het gewone huishoudelijke afval; het moet bij een gespecialiseerd bedrijf terechtkomen voor recyclage. U moet dit toestel naar uw verdeler of naar een lokaal recyclingpunt brengen. Respecteer de plaatselijke milieuwetgeving.

Hebt u vragen, contacteer dan de plaatselijke autoriteiten betreffende de verwijdering.

Dank u voor uw aankoop! Lees deze handleiding grondig door voor u het toestel in gebruik neemt. Werd het toestel beschadigd tijdens het transport, installeer het dan niet en raadpleeg uw dealer.

2. Veiligheidsvoorschriften



- Dit toestel is geschikt voor gebruik door kinderen vanaf 8 jaar, door personen met fysieke, zintuiglijke of verstandelijke beperkingen, of door personen met gebrek aan ervaring en kennis, op voorwaarde dat dit onder toezicht gebeurt van een persoon die verantwoordelijk is voor hun veiligheid of hun aanwijzingen heeft gegeven, hoe zij het toestel moeten gebruiken en zich bewust zijn van de risico's die het gebruik van het toestel met zich meebrengt. Kinderen mogen niet met het toestel spelen. Reiniging en onderhoud van het toestel mogen niet worden uitgevoerd door kinderen, tenzij ze onder toezicht staan.
- Sluit het toestel steeds aan op een geaard stopcontact om elektrische schokken te voorkomen.
- Trek de stekker uit het stopcontact wanneer het toestel niet in gebruik is of voordat u het toestel reinigt. Houd de voedingskabel altijd vast bij de stekker en niet bij de kabel.
- Indien de voedingskabel beschadigd is, dan moet deze door de fabrikant of diens servicedienst vervangen worden.
- Plaats de kabels zodanig dat niemand erop kan trappen of erover kan vallen of struikelen, vooral bij de stekker en het punt waar de kabel het toestel verlaat.
- Verwijder alle brandbare materialen in de nabijheid van het toestel voordat u het inschakelt.
- Plaats het toestel niet op een brandbaar oppervlak (bv. linoleum, tapijt, hout, papier, karton, plastic, enz.).
- Houd dit toestel uit de buurt van warmtebronnen zoals radiatoren, verwarmingselementen, fornuizen of andere toestellen (incl. versterkers) die warmte produceren.
- Demonteer of open dit toestel nooit. De gebruiker mag geen onderdelen vervangen. Gebruik dit toestel nooit wanneer de behuizing geopend is.
- Gebruik nooit een beschadigd toestel. Gebruik dit toestel niet indien de voedingskabel beschadigd is.
- Monteer dit toestel steeds op een veilige en stabiele manier. Monteer dit toestel in een ruimte waar voldoende ventilatie aanwezig is. Houd een afstand van ongeveer 15 cm vanaf het toestel tot de muur.
- Het onderhoud mag uitsluitend door een vakman uitgevoerd worden.
- Gebruik het toestel niet indien de beschermplaat gebarsten of gebroken is. Ontkoppel het toestel onmiddellijk. De beschermplaat is niet vervangbaar.



- Leer eerst de functies van het toestel kennen voor u het gaat gebruiken.
- Bewaar deze handleiding voor verdere raadpleging.
- Sluit het toestel aan op een geschikt stopcontact (zie label op het toestel).
- Plaats het toestel in een goed geventileerde ruimte.
- Bescherm tegen stof en extreme temperaturen. Zorg ervoor dat de ventilatieopeningen niet verstopt geraken. Voorzie een ruimte van minstens 2.5 cm tussen het toestel en elk ander object.
- Sluit het toestel nooit aan op een dimmer of reostaat.



- Verplaats of draag het toestel nooit aan de voedingskabel of andere bewegende onderdelen. Gebruik steeds de beugel.
- Als het toestel niet correct functioneert, stop onmiddellijk het gebruik van het toestel.
- Probeer nooit zelf het toestel te herstellen. Er zijn geen onderdelen in het toestel die door de gebruiker gerepareerd kunnen worden. Contacteer uw verdeler voor eventuele reserveonderdelen.
- Dit toestel is niet geschikt voor permanent gebruik: een regelmatige onderbreking verlengt de levensduur.



- Gebruik het toestel enkel binnenshuis. Bescherm het toestel tegen regen, vochtigheid en opspattende vloeistoffen. Plaats nooit objecten gevuld met vloeistof op of naast het toestel.



- Dit toestel is niet geschikt voor de verlichting van een huishoudelijke ruimte.

3. Garantie

- Raadpleeg de Velleman® service- en kwaliteitsgarantie achteraan deze handleiding.
- Om veiligheidsredenen mag u geen wijzigingen aanbrengen. Schade door wijzigingen die de gebruiker heeft aangebracht aan het toestel valt niet onder de garantie.
- Gebruik het toestel enkel waarvoor het gemaakt is. De garantie vervalt automatisch bij ongeoorloofd gebruik.
- De garantie geldt niet voor schade door het negeren van bepaalde richtlijnen in deze handleiding en uw dealer zal de verantwoordelijkheid afwijzen voor defecten of problemen die hier rechtstreeks verband mee houden.
- Noch Velleman nv noch zijn verdelers kunnen aansprakelijk gesteld worden voor schade (buitengewoon, incidenteel of onrechtstreeks) – van welke aard dan ook (financieel, fysisch...) voortvloeiend uit het bezit, gebruik of falen van dit product.

4. Montage

4.1 Algemene richtlijnen



- Laat het toestel door een vakman installeren, conform de toepasselijke normen.
- Plaats het toestel op een vlak, brandwerend, krasvrij, waterbestendig en slipvrij oppervlak.
- De draagconstructie waaraan het toestel wordt bevestigd, moet gedurende 1 uur 10 x het gewicht van dit toestel kunnen dragen zonder te vervormen.
- Verwijder alle brandbaar materiaal in een straal van 1 m rond het toestel.
- Installeer dit toestel op een plaats waar weinig mensen voorbijkomen en die niet toegankelijk is voor onbevoegden.
- Plaats het toestel zodanig dat de voedingskabel gemakkelijk bereikbaar is.
- Plaats het toestel in een goed geventileerde ruimte.

4.2 Het toestel ophangen



- Maak het toestel ook altijd vast met een tweede bevestiging (bv. een veiligheidskabel, niet meegelev.).
- Sta nooit recht onder het toestel wanneer u het monteert, verwijdert of herstelt. Laat het toestel controleren door een geschoolde technicus voor u het in gebruik neemt en laat het 1 x per jaar volledig nakijken.
- Vermijd brute kracht tijdens de bediening. u moet de maximumbelasting van de draagconstructie kunnen berekenen, weten welk constructiemateriaal u kunt gebruiken, ... Laat het materiaal en het toestel regelmatig nakijken. Monteer het toestel niet zelf indien u er geen ervaring mee heeft. Een slechte montage kan leiden tot verwondingen.
- Voor montage op een lichtbrug, gebruik een geschikte klem (niet meegelev.) en draai een M10-bout doorheen het midden van de (geplooid) beugel.

4.3 Veiligheidsophanging



Beugels

Wanneer een beugel wordt gebruikt, moeten de onderdelen van de beugel tien keer het gewicht van de lichtarmatuur kunnen dragen zonder permanente vervorming en moeten deze vervaardigd zijn uit niet-brandbaar materiaal zoals staal of gelijkwaardig materiaal.

Accessoires

Het ontwerp van de lichtarmatuur moet zodanig zijn dat verwijderbare accessoires, zoals kleurfilters en barndoors, wanneer correct gemonteerd, niet uit de behuizing kunnen vallen, ongeacht de positie van de lichtarmatuur.

Veiligheidsophanging

Lichtarmaturen moeten voorzien zijn van een veiligheidsophanging, tenzij ze bestemd zijn voor vloermontage. Deze veiligheidsophanging moet zodanig zijn ontworpen en gemonteerd dat er geen enkel onderdeel van de lichtarmatuur kan vallen, zelfs als de hoofdophanging breekt. De veiligheidsophanging moet 30 keer een val van 30 cm kunnen doorstaan zonder te breken.

4.4 Aansluiting



- De elektrische aansluiting mag alleen door een vakman uitgevoerd worden.
- Steek de stekker in het stopcontact. Alle toestellen moeten via een geaard stopcontact gevoed worden. Niet aansluiten op een dimmerpack.
- De installatie moet voor het eerste gebruik gekeurd worden door een expert.

5. Omschrijving

Raadpleeg de afbeeldingen op pagina 2 van deze handleiding.

1	montagebeugel
2	display + menuknoppen
3	DMX-in-en uitgang

4	voedingsingang
5	veiligheidsoog

6. Gebruik

Het toestel kan in verschillende modi gebruikt worden:

- autonome modus (standalone)
- master/slave-modus
- met een DMX-512-controller.

6.1 Controlepaneel

Bedien het controlepaneel met de vier knoppen onderaan de display.

Menu	door de opties scrollen
▲	naar boven in het menu scrollen
▼	naar onder in het menu scrollen
Enter	een optie bevestigen

6.2 Menu

modus		programmeren		omschrijving
DMX mode	Addr	9CH	d001-d512	
		5CH		
		4CH		
		3CH		
		2CH		
statische kleuren	Stat	S 01-25	statische kleuren	
auto	Auto	Au 1-4	automatisch programma	
sound	Soun	So 1-4	muziekgestuurd programma	
speed	SPEE	SP 1-9	snelheid	
mic sensitivity	SEnS	SE 1-9	microfoongevoeligheid	
colour edit	Colo	r000-255	rood	
		g000-255	groen	
		b000-255	blauw	
		u000-255	wit	
dimming	dIMM	dl 1-9	helderheid dimmer	
silent save	SILE	aan-uit	muziekgestuurde modus aan/uit	
slave	SLAU	Slave	slave	
IR	InFr	aan-uit	IR aan/uit	

6.3 Autonome modus (standalone)

Het toestel start op in autonome modus, nadat u het gekoppeld hebt aan het lichtnet. In deze modus kunt u het toestel zonder controller gebruiken.

6.4 Master/slave-modus

- In master/slave-modus kunt u meerdere toestellen aansluiten op één mastertoestel in een reeks.
- Alle slavetoestellen zullen vervolgens synchroon functioneren met het mastertoestel.
- Configureer alle slavetoestellen vooraleer u het mastertoestel aansluit op de reeks.

6.5 DMX-modus

In de DMX-modus kunt u het toestel aansturen via een universele DMX-controller.

- Alle DMX-gestuurde toestellen hebben een digitaal startadres nodig zodat het juiste toestel reageert op de signalen. Dit digitale startadres is het kanaalnummer van waarop het toestel luistert naar het signaal van de DMX-controller. U kunt één enkel startadres gebruiken voor een groep toestellen of u kunt per toestel een nieuw startadres ingeven.
- Wanneer u een enkel startadres instelt, zullen alle toestellen 'luisteren' naar hetzelfde kanaal. Met andere woorden: Wanneer u de instellingen voor 1 kanaal verandert, zullen alle toestellen er tegelijk op reageren. Wanneer u verschillende adressen instelt, dan luistert elk toestel naar een ander kanaal. Wanneer u de instellingen van een kanaal verandert, zal enkel het toestel op dat kanaal reageren.

6.6 DMX-waarden per kanaal

Zie pagina 3 van deze handleiding.

7. IR-afstandsbediening

BLACK OUT

Druk om de huidige actieve modus uit te schakelen. Druk nogmaals om terug te keren.

AUTO

Druk om de automatische programma's uit te voeren.

1. Druk op <AUTO>.
2. Druk op <+> of <-> om tussen de verschillende programma's te schakelen.

SOUND

Druk om de muziekgestuurde programma's uit te voeren.

1. Druk op <SOUND>.
2. Druk op <+> of <-> om tussen de verschillende programma's te schakelen.

STROBE

Druk om de stroboscoop in te schakelen. Druk nogmaals om uit te schakelen.

1. Druk op <STROBE>.
2. Druk op <+> of <-> om de stroboscoopsnelheid in te stellen.

SNELHEID

Druk om de snelheid van de automatische programma's in te stellen.

1. Druk op <SNELHEID>.
2. Druk op <+> of <-> om het programma te kiezen.

SENSITIVITY

Druk op de gevoeligheid van de muziekgestuurde programma's in te stellen.

1. Druk op <SENSITIVITY>.
2. Druk op <+> of <-> om de muziekgevoeligheid in te stellen.

DMX/%

Druk op de DMX-modus te activeren/deactiveren.

MANUAL

Druk om de manuele modus te activeren/deactiveren.

1. Druk op <MANUAL>.
2. Selecteer de gewenste kleur.
3. Druk op <+> of <-> om statische kleuren te selecteren.

FADE

Druk op <FADE> om de fader te activeren/deactiveren.

1-9

1. Druk op <1> tot <9> om de kleurintensiteit in te stellen.

8. Reiniging en onderhoud

Voor het reinigen of onderhoud:

1. Ontkoppel het toestel van het lichtnet.
2. Laat het toestel afkoelen.

Reiniging

- Gebruik een glasreiniger en een zachte doek om de behuizing te reinigen.
- Zorg ervoor dat alle onderdelen volledig droog zijn voordat u het toestel opnieuw aansluit.
- De frequentie van de reiniging hangt van de omgeving af (bv. rook, stof, vocht).
- Dompel het toestel nooit onder in een vloeistof.

Onderhoud

- Alle schroeven moeten goed zijn aangespannen en mogen geen sporen van roest vertonen.
- De behuizing, de lenzen, de montagebeugels en de montageplaats (bijvoorbeeld plafond, ophanging of gebinte) mogen niet vervormd of aangepast worden (bv. geen extra gaten in montagebeugels boren, de aansluitingen niet verplaatsen ...).
- Mechanisch bewegende delen mogen geen sporen van slijtage vertonen.
- De voedingskabels mogen niet beschadigd zijn. Laat het toestel onderhouden door een geschoolde technicus.
- Er zijn geen door de gebruiker vervangbare onderdelen in dit toestel, behalve de zekering en de lamp.
- Contacteer uw verdeler voor eventuele reserveonderdelen.

9. Technische specificaties

voeding	100-240 V~, 50/60 Hz
verbruik	25 W, pf 0.53
kleur	
HQLP10002	zwart
HQLP10003	wit
led	1 x 30 W RGBW COB-led
stralingshoek	25°
afmetingen	270 x 200 x 140 mm
gewicht	1.6 kg

Gebruik dit toestel enkel met originele accessoires. Velleman nv is niet aansprakelijk voor schade of kwetsuren bij (verkeerd) gebruik van dit toestel. Voor meer informatie over dit product en de laatste versie van deze handleiding, zie www.hqpower.eu. De informatie in deze handleiding kan te allen tijde worden gewijzigd zonder voorafgaande kennisgeving.

© AUTEURSRECHT

Velleman nv heeft het auteursrecht voor deze handleiding. Alle wereldwijde rechten voorbehouden. Het is niet toegestaan om deze handleiding of gedeelten ervan over te nemen, te kopiëren, te vertalen, te bewerken en op te slaan op een elektronisch medium zonder voorafgaande schriftelijke toestemming van de rechthebbende.

MODE D'EMPLOI

1. Introduction

Aux résidents de l'Union européenne

Informations environnementales importantes concernant ce produit



Ce symbole sur l'appareil ou l'emballage indique que l'élimination d'un appareil en fin de vie peut polluer l'environnement. Ne pas jeter un appareil électrique ou électronique (et des piles éventuelles) parmi les déchets municipaux non sujets au tri sélectif ; une déchetterie traitera l'appareil en question. Renvoyer l'appareil à votre fournisseur ou à un service de recyclage local. Respecter la réglementation locale relative à la protection de l'environnement.

En cas de questions, contacter les autorités locales pour élimination.

Nous vous remercions de votre achat! Lire attentivement le présent mode d'emploi avant la mise en service de l'appareil. Si l'appareil a été endommagé pendant le transport, ne pas l'installer et consulter votre revendeur.

2. Consignes de sécurité



- Cet appareil peut être utilisé par des enfants âgés de 8 ans et plus et des personnes manquant d'expérience et de connaissances ou dont les capacités physiques, sensorielles ou mentales sont réduites, si elles ont été formées et encadrées quant à l'utilisation de l'appareil d'une manière sûre et connaissent les risques encourus. Ne pas laisser les enfants jouer avec l'appareil. Le nettoyage et l'entretien ne doivent pas être effectués par des enfants sans surveillance.
- Toujours brancher l'appareil sur une prise avec mise à la terre pour éviter tout risque d'électrocution.
- Toujours déconnecter l'appareil lorsque l'appareil n'est pas utilisé ou avant de le nettoyer. Tirer sur la fiche pour débrancher l'appareil ; non pas sur le câble.
- Si le câble d'alimentation est endommagé, demander au fabricant ou à son agent de service de le remplacer.
- Disposer les câbles de telle manière que personne ne puisse marcher ou trébucher dessus, particulièrement au niveau des fiches, des prises de courant et de la sortie de l'appareil.
- Enlever tout matériau inflammable à proximité de l'appareil avant la mise en service.
- Ne pas installer l'appareil sur une surface inflammable (p. ex. linoléum, moquette, bois, papier, carton, plastique, etc.).
- Protéger l'appareil des sources de chaleur telles que les radiateurs, climatiseurs, poêles ou toutes autres unités (y compris les amplificateurs) produisant de la chaleur.
- Ne jamais démonter ni ouvrir le boîtier. L'appareil ne contient aucune pièce réparable par l'utilisateur. Ne jamais utiliser l'appareil si le boîtier est ouvert.
- Ne pas utiliser l'appareil s'il est visiblement endommagé. Ne pas utiliser l'appareil si le câble d'alimentation est endommagé.
- Toujours monter l'appareil de manière sûre et stable. Monter l'appareil dans un endroit offrant une ventilation appropriée. Laisser une distance d'environ 15 cm entre l'appareil et le mur.
- L'entretien doit uniquement être effectué par un technicien qualifié.
- Ne pas utiliser l'appareil si la plaque de protection est fissurée ou cassée. Déconnecter immédiatement l'appareil du réseau électrique. La plaque de protection n'est pas remplaçable.



- Se familiariser avec le fonctionnement de l'appareil avant de l'utiliser.
- Garder ce mode d'emploi pour toute référence ultérieure.
- Toujours brancher l'appareil sur une prise appropriée (voir étiquette sur l'appareil).
- Toujours installer l'appareil dans un endroit bien ventilé.
- Protéger contre la poussière et les températures extrêmes. Veiller à ce que les fentes de ventilation ne soient pas bloquées. Laisser une distance minimale de 2.5 cm entre l'appareil et tout autre objet pour assurer une ventilation suffisante. Ne jamais connecter l'appareil à un variateur ou un rhéostat.



- Ne jamais lever ou déplacer l'appareil en tirant sur le câble d'alimentation ou toute autre partie mobile. Toujours utiliser le support.
- En cas de problème de fonctionnement, arrêter immédiatement d'utiliser l'appareil.
- Ne jamais tenter de réparer l'appareil soi-même. Il n'y a aucune pièce réparable par l'utilisateur dans l'appareil. Commander des pièces de rechange éventuelles chez votre revendeur.
- Cet appareil ne convient pas à un fonctionnement continu : des pauses régulières prolongeront la durée de vie.



- Utiliser à l'intérieur uniquement. Protéger l'appareil de la pluie, de l'humidité, d'éclaboussures et des projections d'eau. Ne jamais placer d'objets contenant du liquide sur ou près de l'appareil.



- Cet appareil ne convient pas à l'éclairage d'une pièce d'un ménage.

3. Garantie

- Se référer à la garantie de service et de qualité Velleman® en fin de ce mode d'emploi.
- Toute modification est interdite pour des raisons de sécurité. Les dommages occasionnés par des modifications par le client ne tombent pas sous la garantie.
- N'utiliser l'appareil qu'à sa fonction prévue. Un usage impropre annule d'office la garantie.
- La garantie ne se s'applique pas aux dommages survenus en négligeant certaines directives de ce mode d'emploi et votre revendeur déclinera toute responsabilité pour les problèmes et les défauts qui en résultent.
- Ni Velleman ni ses distributeurs ne peuvent être tenus responsables des dommages exceptionnels, imprévus ou indirects, quelles que soient la nature (financière, corporelle, etc.), causés par la possession, l'utilisation ou le dysfonctionnement de ce produit.

4. Installation

4.1 Directives générales



- L'appareil doit être installé par un technicien qualifié et conformément aux normes en vigueur.
- Installer l'appareil sur une surface stable, ignifuge, résistante aux rayures, résistante à l'eau et antidérapante.
- La construction portante de l'appareil doit être capable de supporter 10 fois le poids de l'appareil pendant une heure, sans qu'une déformation de la construction en résulte.
- Enlever tout matériau inflammable dans un rayon de 1 m autour de l'appareil.
- Installer l'appareil à un endroit où il n'y a pas beaucoup de passage et inaccessible à des personnes non autorisées.
- Installer l'appareil afin de pouvoir accéder facilement au câble d'alimentation.
- Installer l'appareil dans un endroit bien ventilé.

4.2 Suspendre l'appareil



- Toujours fixer l'appareil avec un câble de sécurité (sécurité additionnelle, non incl.).
- Éviter de se positionner en dessous de l'appareil pour l'enlever ou lors du montage ou du nettoyage. Un technicien qualifié doit réviser l'appareil avant la mise en service et ensuite une fois par an.
- L'installation de cet appareil exige une solide expérience pratique : le calcul de la charge max. de la construction, les matériaux d'installation requis,... Un technicien qualifié doit vérifier régulièrement la construction portante et l'appareil même. Ne pas essayer d'installer cet appareil si vous n'avez pas les qualifications requises; une installation incorrecte peut entraîner des blessures.
- Pour un montage en suspension, utiliser un crochet de suspension approprié (non incl.) et passer un boulon M10 à travers le support (plié).

4.3 Suspension auxiliaire



Fourches (étriers)

Lorsqu'une fourche est fournie avec le luminaire, les éléments de la fourche doivent pouvoir supporter dix fois le poids du luminaire sans déformation permanente et doivent être fabriqués en matière non combustible, telle que l'acier ou une matière équivalente.

Accessoires

La conception du luminaire doit être telle que les accessoires amovibles, comme par exemple les filtres colorés et les visières, ne puissent, s'ils sont correctement montés, tomber du luminaire dans n'importe quelle position de celui-ci, indépendamment de la position d'utilisation normale du luminaire.

Suspension auxiliaire

Les luminaires doivent être munis d'un dispositif de suspension auxiliaire, sauf s'ils sont destinés à être montés sur le sol. Cette suspension auxiliaire doit être conçue et montée de telle manière qu'aucune partie du luminaire ne puisse tomber même en cas de rupture de la suspension principale. Aucune rupture de la suspension auxiliaire ne doit se produire après 30 chutes de 30 cm.

4.4 Connexion



- La connexion électrique doit être effectuée par un technicien qualifié.
- Brancher l'appareil sur une prise électrique appropriée. Tout appareil doit être branché sur une prise de courant avec mise à la terre. Ne pas connecter à un variateur de lumière.
- Un expert doit approuver l'installation avant qu'elle puisse être mise en service.

5. Description

Se référer aux illustrations en page 2 de ce mode d'emploi.

1	support
2	afficheur + boutons de menu
3	entrée et sortie DMX

4	entrée d'alimentation
5	œillet de sécurité

6. Emploi

Il y a plusieurs modes de fonctionnement:

- Mode autonome
- maître/esclave
- avec un contrôleur DMX 512.

6.1 Panneau de contrôle

Accéder aux fonctions en utilisant les quatre touches au bas de l'afficheur.

Menu	accéder au menu
▲	naviguer vers le haut dans le menu
▼	naviguer vers le bas dans le menu
Enter	confirmer et sauvegarder une option

6.2 Menu

mode		programmer	description
DMX mode	Addr	9CH	d001-d512
		5CH	
		4CH	
		3CH	
		2CH	
couleurs statiques	Stat	S 01-25	couleurs statiques
auto	Auto	Au 1-4	programme automatique
son	Soun	So 1-4	programme contrôlé par la musique
speed	SPEE	SP 1-9	speed
mic sensitivity	SEnS	SE 1-9	sensibilité du microphone
colour edit	Colo	r000-255	rouge
		g000-255	vert
		b000-255	bleu
		u000-255	blanc
régler l'intensité lumineuse	dIMM	dl 1-9	luminosité du variateur
silent save	SILE	on-off	mode contrôlé par la musique activé/désactivé
slave	SLAU	Slave	slave
IR	InFr	on-off	IR activé/désactivé

6.3 Mode autonome

L'appareil se met en marche en mode autonome après la connexion au réseau. Ce mode vous permet d'utiliser l'appareil sans contrôleur.

6.4 Mode maître/d'esclave

- Le mode maître/esclave vous permet de connecter plusieurs appareils à un appareil de maître en série.
- Tous les appareils esclave fonctionneront en synchronisation avec l'appareil maître.
- Configurer tous les d'appareils esclave avant de connecter l'appareil maître à la série.

6.5 Mode DMX

Le mode DMX vous permet de piloter l'appareil avec n'importe quel contrôleur DMX universel.

- Tous les appareils pilotés par un signal DMX demandent une adresse de départ DMX pour assurer que les appareils corrects réagissent sur les signaux de contrôle. Cette adresse de départ numérique indique le numéro de canal sur lequel l'appareil "écoute" le contrôleur DMX. Il est possible de choisir entre une seule adresse de départ pour toute une série d'appareils ou une adresse de départ par appareil.
- Dans le cas d'une seule adresse, tous les appareils "écouteront" les mêmes signaux, sur un seul canal. En d'autres termes : tous les appareils seront donc influencés en changeant les réglages d'un seul canal. Avec des adresses de départ individuelles, chaque appareil "écouterà" son propre canal. Par conséquent, ajuster les réglages d'un seul canal n'influence que l'appareil sur ce canal.

6.6 Valeurs DMX par canal

Se référer à la page 3 de ce mode d'emploi.

7. Télécommande IR

BLACK OUT

Appuyer pour désactiver le mode actuel. Appuyer à nouveau pour retourner.

AUTO

Appuyer pour exécuter les programmes automatiques.

- Appuyer sur <AUTO>.
- Appuyer sur <+> ou <-> pour basculer entre les différents programmes.

SOUND

Appuyer pour exécuter les programmes pilotés par la musique.

1. Appuyer sur <SOUND>.
2. Appuyer sur <+> ou <-> pour basculer entre les différents programmes.

STROBE

Appuyer pour activer le stroboscope. Appuyer à nouveau pour désactiver.

1. Appuyer sur <STROBE>.
2. Appuyer sur <+> ou <-> pour ajuster la vitesse stroboscopique.

vitesse

Appuyer pour ajuster la vitesse des programmes automatiques.

1. Appuyer sur <SPEED>.
2. Appuyer sur <+> ou <-> pour choisir le programme.

SENSITIVITY

Appuyer pour ajuster la sensibilité des programmes pilotés par la musique.

1. Appuyer sur <SENSITIVITY>.
2. Appuyer sur <+> ou <-> pour ajuster la sensibilité sonore.

DMX/%

Appuyer pour activer/désactiver le mode DMX.

MANUEL

Appuyer pour activer/désactiver le mode manuel.

1. Appuyer sur <MANUAL>.
2. Sélectionner la couleur souhaitée.
3. Appuyer sur <+> ou <-> pour sélectionner des couleurs statiques.

FADE

Appuyer sur <FADE> pour activer/désactiver le fader.

1-9

1. Appuyer sur <1> à <9> pour ajuster l'intensité de couleur.

8. Nettoyage et entretien

Avant tout nettoyage ou entretien :

1. Débrancher le câble d'alimentation.
2. Laisser refroidir l'appareil.

Nettoyage

- Utiliser un nettoyant à vitres normal et un chiffon doux pour nettoyer le boîtier.
- S'assurer que toutes les pièces sont sèches avant de reconnecter l'appareil.
- La fréquence de nettoyage dépend de l'environnement d'installation (p. ex. fumée, résidus de brouillard, poussière, condensation).
- Ne jamais immerger l'appareil dans un liquide.

Entretien

- Serrer les vis et vérifier qu'elles ne rouillent pas.
- Ne pas déformer, modifier ou altérer le boîtier, les lentilles, les supports de montage et l'emplacement d'installation (par exemple des plafonds, constructions portantes) par exemple ne pas percer des trous additionnels dans un support, ne pas modifier l'emplacement des connexions ...
- Les parties mécaniques mobiles ne peuvent pas être usées.
- Les câbles d'alimentation ne peuvent pas être endommagés. L'entretien doit être effectué par un technicien qualifié.
- Il n'y a aucune pièce réparable par l'utilisateur sauf le fusible et la lampe.
- Commander des pièces de rechange éventuelles chez votre revendeur.

9. Spécifications techniques

alimentation	100-240 V~, 50/60 Hz
consommation	25 W, pf 0.53
couleur	
HQLP10002	noir
HQLP10003	blanc
LED	1 x 30 W COB RGBW
angle de rayonnement	25°
dimensions.....	270 x 200 x 140 mm
poids	1.6 kg

N'employer cet appareil qu'avec des accessoires d'origine. Velleman SA ne peut, dans la mesure conforme au droit applicable être tenue responsable des dommages ou lésions (directs ou indirects) pouvant résulter de l'utilisation de cet appareil. Pour plus d'information concernant cet article et la dernière version de cette notice, visiter notre site web www.hqpower.eu. Les spécifications et le contenu de ce mode d'emploi peuvent être modifiés sans notification préalable.

© DROITS D'AUTEUR

Velleman SA est l'ayant droit des droits d'auteur de ce mode d'emploi. Tous droits mondiaux réservés. Toute reproduction, traduction, copie ou diffusion, intégrale ou partielle, du contenu de ce mode d'emploi par quelque procédé ou sur tout support électronique que ce soit est interdite sans l'accord préalable écrit de l'ayant droit.

MANUAL DEL USUARIO

1. Introducción

A los ciudadanos de la Unión Europea

Importantes informaciones sobre el medio ambiente concerniente a este producto



Este símbolo en este aparato o el embalaje indica que, si tira las muestras inservibles, podrían dañar el medio ambiente. No tire este aparato (ni las pilas, si las hubiera) en la basura doméstica; debe ir a una empresa especializada en reciclaje. Devuelva este aparato a su distribuidor o a la unidad de reciclaje local. Respete las leyes locales en relación con el medio ambiente.

Si tiene dudas, contacte con las autoridades locales para residuos.

¡Gracias por elegir HQPower™! Lea atentamente las instrucciones del manual antes de usar el aparato. Si ha sufrido algún daño en el transporte no lo instale y póngase en contacto con su distribuidor.

2. Instrucciones de seguridad



- Este aparato no es apto para niños menores de 8 años ni para personas con capacidades físicas, sensoriales o mentales reducidas ni para personas con una falta de experiencia y conocimientos del producto, salvo si están bajo la vigilancia de una persona que pueda garantizar la seguridad. Asegúrese de que los niños no jueguen con este dispositivo. Nunca deje que los niños limpien o manipulen el aparato sin supervisión.
- Conecte siempre el aparato a un circuito con toma de tierra para evitar el riesgo una descarga eléctrica.
- Desconecte el aparato siempre que no esté en uso o antes de limpiarlo o mantenerlo. Tire siempre del enchufe para desconectar el cable de red, nunca del propio cable.
- Si el cable flexible está dañado, pida a un distribuidor o centro de servicio técnico autorizado reemplazarlo.
- Instale los cables de tal manera que nadie pueda pisarlos ni puedan quedar atrapados por objetos situados encima o contra ellos. Sobre todo, preste atención al punto dónde salen del aparato.
- Asegúrese de que no hay materiales inflamables cerca del aparato antes de activarlo.
- No instale el aparato en una superficie inflamable (linóleo, alfombra, madera, papel, cartón, plástico, etc.).
- No instale el aparato cerca de fuentes de calor (p.ej. radiadores, calentadores, hornos u otros aparatos (incluso amplificadores) que generen calor.
- Nunca quite la carcasa. El usuario no habrá de efectuar el mantenimiento de ninguna pieza. Nunca maneje el aparato sin la carcasa.
- Nunca maneje el aparato si está dañado. No intente hacer funcionar el aparato si el cable de alimentación está dañado.
- Instale siempre el aparato en un lugar seguro y estable. Instale siempre el aparato en un lugar con suficiente ventilación. Deje un espacio de 15 cm entre el aparato y la pared.
- El mantenimiento sólo puede efectuarlo
- No utilice el aparato si la placa de protección está rota o agrietada. Desconéctelo inmediatamente de la red eléctrica. No se puede reemplazar la placa de protección.



- Familiarícese con el funcionamiento del aparato antes de utilizarlo.
- Guarde este manual del usuario para cuando necesite consultarlo.
- Conecte el aparato siempre a una toma eléctrica adecuada (consulte la etiqueta del aparato).
- Instale el aparato en un lugar bien aireado.
- No exponga este equipo a polvo ni temperaturas extremas. Asegúrese de que los orificios de ventilación no estén bloqueados. Deje una distancia de mín. 2,5 cm entre el aparato y cualquier otro objeto para asegurar una ventilación suficiente.



- Nunca conecte el aparato a un dimmer o un reóstato.
- Nunca transporte el aparato agarrando por el cable de alimentación o por cualquier parte móvil. Utilice siempre el soporte.
- En caso de un problema de funcionamiento, desactive el aparato inmediatamente.
- Nunca intente reparar el aparato. El usuario no habrá de efectuar el mantenimiento de ninguna pieza. Contacte con su distribuidor si necesita piezas de recambio.
- El aparato no está diseñado para un funcionamiento permanente: desactívelo regularmente para prolongar su duración de vida.



- Utilice el aparato sólo en interiores. No exponga este equipo a lluvia, humedad ni a ningún tipo de salpicadura o goteo. Nunca ponga un objeto con líquido en el aparato.



- El tipo de bombilla utilizado en este aparato no es apto para la iluminación de una habitación.

3. Garantía

- Véase la Garantía de servicio y calidad Velleman® al final de este manual del usuario.
- Por razones de seguridad, las modificaciones no autorizadas del aparato están prohibidas. Los daños causados por modificaciones no autorizadas, no están cubiertos por la garantía.
- Utilice sólo el aparato para las aplicaciones descritas en este manual Su uso incorrecto anula la garantía completamente.
- Los daños causados por descuido de las instrucciones de seguridad de este manual invalidarán su garantía y su distribuidor no será responsable de ningún daño u otros problemas resultantes.
- Ni Velleman nv ni sus distribuidores serán responsables de los daños extraordinarios, ocasionales o indirectos, sea cual sea la índole (financiera, física, etc.), causados por la posesión, el uso o el fallo de este producto.

4. Instalación

4.1 Normas generales



- Deje que un técnico cualificado que respete todas las normas aplicables instale el aparato.
- Instale el aparato en una superficie ignífuga, antideslizante y resistente a los arañazos y al agua.
- El soporte donde irá el aparato, debe ser capaz de sostener 10 veces el peso de éste durante una hora, sin que se produzca una deformación de dicho soporte.
- Quite todo material inflamable en un radio de 1 m alrededor del aparato.
- Instale el aparato fuera del alcance de personas no autorizadas y en un lugar con poca gente.
- Instale el aparato de forma que el cable de alimentación sea fácilmente accesible.
- Instale el aparato en un lugar bien aireado.

4.2 Instalación en el techo



- Fije siempre el aparato con un cable de seguridad (seguridad adicional, no incl.).
- Evite ponerse debajo del aparato durante el montaje, la limpieza, etc. Un técnico especializado debe revisar el aparato antes de la puesta en marcha. Después, debe revisarlo una vez al año.
- La instalación de este aparato exige una sólida experiencia práctica: debe poder calcular la carga máx. del soporte, debe conocer los materiales necesarios para la instalación, etc. De vez en cuando, una verificación de la estructura y del aparato mismo debe ser llevada a cabo por un técnico especializado. No intente instalar este aparato si no tiene las cualificaciones requeridas; una instalación incorrecta puede causar lesiones.
- Para el montaje en un truss, utilice la abrazadera adecuada (no incl.) y pase un tornillo M10 por el centro del soporte (plegado).

4.3 Suspensión secundaria



Soporte de montaje

Si la luminaria incluye un soporte de montaje, asegúrese de que los elementos de soporte puedan soportar diez veces el peso de la luminaria sin causar una deformación permanente y que estén fabricados en un material no combustible (p.ej. el acero u otro material equivalente).

Accesorios

Asegúrese de que los accesorios desmontables de la luminaria (p.ej. filtros de color y viseras) estén correctamente colocados y bien fijados.

Fijación adicional

Las luminarias deben estar equipadas con un sistema de fijación adicional salvo si se fueran a instalar en el suelo. Esta fijación adicional debe estar concebida y montada de tal manera que ninguna parte de la luminaria pueda caerse incluso si fallara la fijación principal. La fijación secundaria debe poder resistir 30 veces una caída de 30 cm sin romperse.

4.4 La conexión



- La conexión eléctrica debe llevarla a cabo un técnico cualificado.
- Enchufe el aparato a una toma eléctrica adecuada. Todos los aparatos deben estar conectados a un circuito a tierra. No conecte el aparato a un dimmer pack (regulador).
- Un experto debe probar la instalación antes de la puesta en marcha.

5. Descripción

Véase las figuras en la página 2 de este manual del usuario.

1	soporte de montaje
2	pantalla + botones de menú
3	entrada y salida DMX

4	entrada de alimentación
5	ojete

6. Funcionamiento

Hay varios modos de funcionamiento:

- modo autónomo (stand-alone)
- modo maestro/esclavo
- con un controlador DMX-512.

6.1 Panel de control

Acceda a las funciones utilizando las cuatro teclas de la pantalla.

Menú	desplazarse en el menú
▲	desplazarse hacia arriba en el menú
▼	desplazarse hacia abajo en el menú
Enter	confirmar una selección

6.2 Menú

Modo	Programa	descripción	
modo DMX	Addr	9CH	d001-d512
		5CH	
		4CH	
		3CH	
		2CH	
colores estáticos	Stat	S 01-25	colores estáticos
auto	Auto	Au 1-4	programa automático
música	Soun	So 1-4	programa controlado por la música
velocidad	SPEE	SP 1-9	velocidad
mic sensitivity	SEnS	SE 1-9	sensibilidad del micrófono
colour edit	Colo	r000-255	rojo
		g000-255	verde
		b000-255	azul
		u000-255	blanco
dimming	dIMM	dl 1-9	regular la intensidad de luz
silent save	SILE	on-off	modo controlado por la música activado/desactivado
slave	SLAU	Slave	esclavo
IR	InFr	on-off	IR activado-desactivado

6.3 Modo autónomo (stand-alone)

El aparato se inicia en el modo autónomo (stand-alone) después de haberlo activado. Este modo le permite utilizar el aparato sin controlador.

6.4 Modo maestro/esclavo

- El modo maestro/esclavo le permite conectar varios aparatos en serie a un solo aparato maestro.
- Cada aparato esclavo funcionará de manera sincrónica con el aparato maestro.
- Configure todos los aparatos esclavos antes de conectar el aparato maestro a la cadena.

6.5 Modo DMX

El modo DMX permite controlar el aparato con cualquier controlador DMX universal.

- Si se usa una señal DMX, cada aparato tiene su propia dirección inicial DMX para asegurar que los aparatos reaccionen a las señales de control correctas. Esta dirección inicial digital es el primer canal en el cual el aparato reaccionará a las señales DMX del controlador DMX. Es posible elegir entre una sola dirección inicial para toda una serie de aparatos o una dirección inicial por aparato.
- Con una sola dirección inicial para una serie de aparatos, todos los aparatos reaccionarán sincronizadamente a la misma señal. Por lo tanto: cambiar los ajustes de un solo canal afecta a los ajustes de todos los canales. Con varias direcciones iniciales, cada aparato reaccionará independientemente. Por lo tanto, cambiar los ajustes de un solo canal sólo afecta al canal en cuestión.

6.6 Valores DMX detallados por canal

Consulte la página 3 de este manual del usuario.

7. Mando a distancia IR

BLACK OUT

Pulse este botón para desactivar el modo actual. Vuelva a pulsar para volver.

AUTO

Pulse este botón para iniciar los programas automáticos.

1. Pulse <AUTO>.
2. Pulse <+> o <-> para seleccionar entre los diferentes programas.

SOUND

Pulse este botón para iniciar los programas controlados por la música.

1. Pulse <SOUND>.
2. Pulse <+> o <-> para seleccionar entre los diferentes programas.

STROBE

Pulse este botón para activar el estroboscopio. Vuelva a pulsar para desactivarlo.

1. Pulse <STROBE>.
2. Pulse <+> o <-> para ajustar la velocidad del estroboscopio.

SPEED

Pulse este botón para ajustar la velocidad de los programas automáticos.

1. Pulse <SPEED>.
2. Pulse <+> o <-> para seleccionar el programa.

SENSIBILIDAD

Pulse este botón para ajustar la sensibilidad de los programas controlados por la música.

1. Pulse <SENSITIVITY>.
2. Pulse <+> o <-> para ajustar la sensibilidad a la música.

DMX/%

Pulse este botón para activar/desactivar el modo DMX.

MANUAL

Pulse este botón para activar/desactivar el modo manual.

1. Pulse <MANUAL>.
2. Seleccione el color.
3. Pulse <+> o <-> para seleccionar los colores estáticos.

FADE

Pulse <FADE> para activar o desactivar el fader.

1-9

1. Pulse <1> a <9> para ajustar la intensidad del color.

8. Limpieza y mantenimiento

Antes de iniciar cualquier actividad de limpieza o mantenimiento:

1. Desconecte el aparato de la red eléctrica.
2. Deje que el aparato se enfríe.

Limpieza

- Utilice limpiacristales y un paño suave para limpiar la caja.
- Asegúrese siempre de que todas las partes están secas antes de volver a enchufar el aparato a la red eléctrica.
- La frecuencia de la limpieza depende del ambiente, en que se utilice el aparato (p.ej. humo, el uso de máquinas de humo, polvo, etc.)
- No sumerja el aparato en un líquido.

Mantenimiento

- Apriete bien las tuercas y los tornillos y verifique que no hay señales de oxidación.
- No modifique la caja, los soportes y las ópticas p.ej. no taladre agujeros adicionales en un soporte o no modifique las conexiones, etc.
- Las partes móviles no pueden mostrar ningún rastro de desgaste y deben estar bien equilibradas.
- No dañe los cables de alimentación. Contacte con un técnico especializado para instalar el aparato. El mantenimiento debe ser realizado por un técnico cualificado.
- El usuario no habrá de efectuar el mantenimiento de ninguna pieza salvo la lámpara.
- Contacte con su distribuidor si necesita piezas de recambio.

9. Especificaciones

alimentación.....	100-240 V~, 50/60 Hz
consumo.....	25 W, pf 0.53
color	
HQLP10002	negro
HQLP10003	blanco
fuelle de luz	1 x LED COB RGBW de 30 W
ángulo del haz.....	25°
dimensiones.....	270 x 200 x 140 mm
peso.....	1.6 kg

Utilice este aparato sólo con los accesorios originales. Velleman NV no será responsable de daños ni lesiones causados por un uso (indebido) de este aparato. Para más información sobre este producto y la versión más reciente de este manual del usuario, visite nuestra página www.hqpower.eu. Se pueden modificar las especificaciones y el contenido de este manual sin previo aviso.

© DERECHOS DE AUTOR

Velleman NV dispone de los derechos de autor para este manual del usuario. Todos los derechos mundiales reservados. Está estrictamente prohibido reproducir, traducir, copiar, editar y guardar este manual del usuario o partes de ello sin el consentimiento previo por escrito del propietario del copyright.

BEDIENUNGSANLEITUNG

1. Einführung

An alle Einwohner der Europäischen Union

Wichtige Umweltinformationen über dieses Produkt



Dieses Symbol auf dem Produkt oder der Verpackung zeigt an, dass die Entsorgung dieses Produktes nach seinem Lebenszyklus der Umwelt Schaden zufügen kann. Entsorgen Sie die Einheit (oder verwendeten Batterien) nicht als unsortierter Hausmüll; die Einheit oder verwendeten Batterien müssen von einer spezialisierten Firma zwecks Recycling entsorgt werden. Diese Einheit muss an den Händler oder ein örtliches Recycling-Unternehmen retourniert werden. Respektieren Sie die örtlichen Umweltvorschriften.

Falls Zweifel bestehen, wenden Sie sich für Entsorgungsrichtlinien an Ihre örtliche Behörde.

Vielen Dank, dass Sie sich für HQPower™ entschieden haben! Lesen Sie diese Bedienungsanleitung vor Inbetriebnahme sorgfältig durch. Überprüfen Sie, ob Transportschäden vorliegen. Sollte dies der Fall sein, verwenden Sie das Gerät nicht und wenden Sie sich an Ihren Händler.

2. Sicherheitshinweise



- Dieses Gerät kann von Kindern ab 8 Jahren und darüber sowie von Personen mit verringerten physischen, sensorischen oder mentalen Fähigkeiten oder Mangel an Erfahrung und Wissen benutzt werden, wenn sie beaufsichtigt oder bezüglich des sicheren Gebrauchs des Gerätes unterwiesen wurden und die daraus resultierenden Gefahren verstehen. Kinder sollten nicht mit dem Gerät spielen. Beachten Sie, dass Kinder das Gerät nicht reinigen oder bedienen.
- Betreiben Sie das Gerät ausschließlich an einen geerdeten Stromkreis, um das Risiko eines Stromschlags zu vermeiden
- Trennen Sie das Gerät bei Nichtbenutzung und vor jeder Reinigung vom Netz. Fassen Sie dazu den Netzstecker an der Grifffläche an und ziehen Sie nie an der Netzleitung.
- Ist das Netzkabel beschädigt, so muss es durch den Hersteller oder seinen Kundendienst ausgetauscht werden.
- Verlegen Sie alle Kabel so, dass nicht darauf getreten werden kann und, dass diese nicht eingeklemmt werden. Stellen Sie keine Gegenstände auf Stromkabeln ab. Achten Sie besonders auf die Verbindungsstellen zwischen Kabeln und dem Gerät.
- Das Gerät sollte von entflammaren Materialien entfernt sein.
- Installieren Sie das Gerät nicht auf einer entflammaren Oberfläche (Linoleum, Teppich, Holz, Papier, Karton, Kunststoff usw.).
- Stellen Sie das Gerät nicht in der Nähe von Hitzequellen auf wie z.B. Radiatoren, Heizkörpern, Öfen oder anderen Geräten, die Hitze erzeugen (auch Verstärkern).
- Öffnen Sie niemals das Gehäuse. Es gibt keine zu wartenden Teile. Betreiben Sie niemals das Gerät ohne das Gehäuse.
- Betreiben Sie niemals ein beschädigtes Gerät. Betreiben Sie niemals das Gerät, wenn das Netzkabel beschädigt ist.
- Installieren Sie das Gerät immer an einem sicheren, stabilen Ort. Stellen Sie das Gerät immer an einem gut belüfteten Ort auf. Lassen Sie 15 cm Abstand zwischen dem Gerät und der Wand.
- Alle Wartungsarbeiten dürfen ausschließlich von qualifizierten Fachkräften durchgeführt werden.
- Verwenden Sie das Gerät nicht wenn die Schutzkappe gebrochen oder gesprungen ist. Trennen Sie das Gerät sofort vom Netz. Das Schutzglas ist nicht austauschbar.



- Nehmen Sie das Gerät erst in Betrieb, nachdem Sie sich mit seinen Funktionen vertraut gemacht haben.
- Bewahren Sie diese Bedienungsanleitung für künftige Einsichtnahme auf.
- Schließen Sie das Gerät an die geeignete Steckdose an (Siehe Etikett auf dem Gerät).
- Stellen Sie das Gerät in einem gut gelüfteten Raum auf.
- Schützen Sie das Gerät vor Staub und vor extremen Temperaturen. Beachten Sie, dass die Lüftungsschlitze nicht blockiert werden. Beachten Sie eine minimale Entfernung von 2,5 cm zwischen dem Gerät und jedem anderen Gegenstand.
- Verbinden Sie das Gerät niemals mit einem Dimmerpack oder Rheostat.
- Halten oder tragen Sie das Gerät niemals am Netzkabel oder an einem bewegenden Teil. Benutzen Sie immer die Halterung.
- Schalten Sie das Gerät bei Problemen sofort aus.
- Versuchen Sie niemals, um das Gerät zu reparieren. Es gibt keine zu wartenden Teile. Bestellen Sie eventuelle Ersatzteile bei Ihrem Fachhändler.
- Das Gerät eignet sich nicht für einen permanenten Gebrauch: Schalten Sie es regelmäßig aus, um die Lebensdauer zu verlängern.



- Verwenden Sie das Gerät nur im Innenbereich. Schützen Sie das Gerät vor Regen und Feuchte. Setzen Sie das Gerät keiner Flüssigkeit wie z.B. Tropf- oder Spritzwasser, aus. Stellen Sie keine mit Flüssigkeit befüllten Gegenstände auf das Gerät.



- Das Gerät eignet sich nicht zur Raumbelichtung.

3. Garantie

- Siehe Velleman® Service- und Qualitätsgarantie am Ende dieser Bedienungsanleitung.
- Eigenmächtige Veränderungen sind aus Sicherheitsgründen verboten. Bei Schäden verursacht durch eigenmächtige Änderungen erlischt der Garantieanspruch.
- Verwenden Sie das Gerät nur für Anwendungen beschrieben in dieser Bedienungsanleitung. Bei falscher Anwendung dieses Gerätes erlischt der Garantieanspruch.
- Bei Schäden, die durch Nichtbeachtung der Bedienungsanleitung verursacht werden, erlischt der Garantieanspruch. Für daraus resultierende Folgeschäden übernimmt der Hersteller keine Haftung.
- Weder Velleman nv noch die Händler können für außergewöhnliche, zufällige oder indirekte Schäden irgendwelcher Art (finanziell, physisch, usw.), die durch Besitz, Gebrauch oder Defekt verursacht werden, haftbar gemacht werden.

4. Installation

4.1 Allgemeine Richtlinien



- Lassen Sie das Gerät von einem Fachmann und gemäß allen zutreffenden Normen installieren.
- Installieren Sie das Gerät auf einer ebenen, feuer-, kratz-, wasser- und rutschfesten Oberflächen.
- Die Konstruktion muss während einer Stunde eine Punktlast von maximal 10 x dem Gewicht des Gerätes tragen können, ohne dass Verformung verursacht wird.
- Entfernen Sie alle entflammabaren Materialien in einem Abstand von 1 m.
- Montieren Sie das Gerät an einem Ort, wo niemand es berühren kann und wo wenige Leute vorübergehen.
- Installieren Sie das Gerät so, dass Sie das Stromkabel einfach erreichen können.
- Stellen Sie das Gerät in einem gut gelüfteten Raum auf.

4.2 Überkopfmontage



- Das Gerät muss immer mit einer zweiten Befestigung (z.B. Sicherheitsfangseil, nicht mitgeliefert) gesichert werden.
- Stehen Sie während der Montage, Entfernung oder Wartung nie direkt unter dem Gerät. Lassen Sie das Gerät jährlich und vor der Inbetriebnahme von einem Fachmann prüfen.
- Eine gründliche praktische Erfahrung ist für die Installation des Gerätes notwendig: Sie müssen die max. Belastung der Tragkonstruktion berechnen können, wissen welches Konstruktionsmaterial Sie verwenden dürfen. Außerdem müssen Sie das verwendete Material und das Gerät regelmäßig nachsehen lassen. Montieren Sie das Gerät nie selber wenn Sie damit keine Erfahrung haben. Eine schlechte Montage kann Verletzungen verursachen.
- Für Truss-Montage, verwenden Sie die geeignete Klemme (nicht mitgeliefert) und stecken Sie einen M10-Bolzen durch die Mitte der (gefalteten) Halterung.

4.3 Zweite Aufhängevorrichtung



Montagebügel

Die Aufhängung des Gerätes muss das Zehnfache des Eigengewichts tragen können, ohne dass dadurch eine dauerhafte Verformung entsteht und muss aus nicht-brennbarem Material (z.B. Stahl oder gleichwertigem Material) hergestellt sein.

Zubehör

Stellen Sie sicher, dass die austauschbaren Teile (z.B Farbfilter und Torblenden) korrekt montiert sind und nicht aus dem Gehäuse fallen können.

Zweite Aufhängevorrichtung

Vergewissern Sie sich, dass die Leuchten über eine zweite Aufhängung verfügen, außer wenn diese für Bodenmontage bestimmt sind. Die zweite Aufhängung muss so angebracht sein, dass keine Teile des Geräts herunterfallen können, falls die Hauptaufhängung nachgibt. Die Aufhängevorrichtung muss 30-mal einem Fall von 30 cm widerstehen können, ohne zu brechen.

4.4 Anschluss



- Der elektrische Anschluss darf nur von einer Fachkraft durchgeführt werden.
- Stecken Sie den Stecker in die Steckdose. Beachten Sie, dass alle Geräte über eine geerdete Steckdose und nicht über einen Regelwiderstand oder Dimmkreis versorgt werden, Schließen Sie das Gerät nicht an einen Dimmer an.
- Die Installation muss vor Inbetriebnahme von einem Experten genehmigt werden.

5. Beschreibung

Siehe Abbildungen, Seite 2 dieser Bedienungsanleitung.

1	Montagebügel
2	Display + Menütasten
3	DMX Ein- und Ausgang

4	Netzeingang
5	Öse

6. Anwendung

Nachfolgende Betriebsmodi können ausgewählt werden:

- Autonomer Modus (Stand-Alone)
- Master/Slave-Modus
- mit einem DMX-512-Controller.

6.1 Bedienfeld

Bedienen Sie das Bedienfeld mit den vier Tasten im Display.

Menü	durch die Optionen im Menü scrollen
▲	nach oben im Menü scrollen
▼	nach unten im Menü scrollen
Enter	eine Option bestätigen

6.2 Menü

Modus	Programm	Beschreibung	
DMX-Modus	Addr	9CH	d001-d512
		5CH	
		4CH	
		3CH	
		2CH	
statische Farben	Stat	S 01-25	statische Farben
auto	Auto	Au 1-4	automatisches Programm
Musik	Soun	So 1-4	musikgesteuertes Programm
Geschwindigkeit	SPEE	SP 1-9	Geschwindigkeit
mic sensitivity	SEnS	SE 1-9	Empfindlichkeit des Mikrofons
colour edit	Colo	r000-255	rot
		g000-255	grün
		b000-255	blau
		u000-255	weiß
dimming	dIMM	dl 1-9	dimmen
silent save	SILE	on-off	musikgesteuerter Modus ein-/ausschalten
slave	SLAU	Slave	Sklave
IR	InFr	on-off	IR ein/aus

6.3 Stand-Alone-Modus

Das Gerät startet im Stand-Alone-Modus, nachdem Sie es mit dem Netz verbunden haben. In diesem Modus können Sie das Gerät ohne Controller verwenden.

6.4 Master/Slave-Modus

- Im Master/Slave-Modus können Sie verschiedene Geräte mit einem einzigen Master-Gerät in Serie verbinden.
- Alle Slave-Geräte funktionieren dann synchron mit dem Master-Gerät.
- Konfigurieren Sie alle Slave-Geräte bevor Sie das Master-Gerät an die Kette anschließen.

6.5 DMX-Modus

Im DMX-Modus können Sie das Gerät mit einem DMX-Controller steuern.

- Alle DMX-gesteuerten Geräte brauchen eine digitale Startadresse, sodass das richtige Gerät auf die Signale reagieren kann. Diese digitale Startadresse ist die Kanalnummer, von der das Gerät die Befehle der DMX-Steuerung empfängt und ausführt. Sie können dieselbe Startadresse für eine ganze Gruppe von Geräten verwenden oder eine separate Startadresse für jedes Gerät eingeben.
- Wenn alle Geräte dieselbe Startadresse haben, werden sie auf einem spezifischen Kanal das Steuersignal empfangen. Mit anderen Worten: Wenn Sie die Einstellungen von einem Kanal ändern, werden alle Geräte zur gleichen Zeit beeinflusst. Wenn Sie verschiedene Adressen einstellen, wird jedes Gerät auf einem anderen Kanal Signale empfangen. Wenn Sie die Einstellungen ändern, wird nur das besagte Gerät beeinflusst.

6.6 DMX-Werte pro Kanal

Siehe Seite 3 dieser Bedienungsanleitung.

7. IR-Fernbedienung

BLACK OUT

Drücken Sie diese Taste, um den aktuellen Modus auszuschalten. Drücken Sie wieder, um zurückzukehren.

AUTO

Drücken Sie diese Taste, um die automatischen Programme zu starten.

1. Drücken Sie <AUTO>.
2. Drücken Sie auf <+> oder <->, um zwischen den verschiedenen Programmen zu schalten.

TÖNE

Drücken Sie diese Taste, um die musikgesteuerten Programme zu starten.

1. Drücken Sie <SOUND>.
2. Drücken Sie auf <+> oder <->, um zwischen den verschiedenen Programmen zu schalten.

STROBE

Drücken Sie diese Taste, um das Stroboskop einzuschalten. Drücken Sie wieder, um das Stroboskop auszuschalten.

1. Drücken Sie <STROBE>.
2. Drücken Sie auf <+> oder <->, um die Stroboskop-Geschwindigkeit einzustellen.

SPEED

Drücken Sie diese Taste, um die Geschwindigkeit der automatischen Programme einzustellen.

1. Drücken Sie <SPEED>.
2. Drücken Sie auf <+> oder <->, um das Programm auszuwählen.

Empfindlichkeit

Drücken Sie diese Taste, um die Empfindlichkeit der musikgesteuerten Programme einzustellen.

1. Drücken Sie <SENSITIVITY>.
2. Drücken Sie auf <+> oder <->, um die Musikempfindlichkeit einzustellen.

DMX/%

Drücken Sie diese Taste, um den DMX-Modus ein- bzw. auszuschalten.

MANUELL

Drücken Sie diese Taste, um den manuellen Modus ein- bzw. auszuschalten.

1. Drücken Sie <MANUAL>.
2. Wählen Sie die Farbe.
3. Drücken Sie auf <+> oder <->, um die statische Farben auszuwählen.

FADE

Drücken Sie auf <FADE>, um den Fader ein- bzw. auszuschalten.

1-9

1. Drücken Sie <1> bis <9>, um die Farbintensität einzustellen.

8. Reinigung und Wartung

Vor dem Reinigen oder Warten:

1. Trennen Sie das Gerät vom Netz.
2. Lassen Sie das Gerät abkühlen.

Reinigung

- Verwenden Sie einen Glasreiniger und ein sanftes Tuch, um das Gehäuse zu reinigen.
- Beachten Sie, dass alle Teile trocken sind, bevor Sie das Gerät wieder mit dem Netz verbinden.
- Die Häufigkeit der Reinigung hängt von der Umgebung ab, in der das Gerät betrieben wird (z.B. Rauch, Einsatz von Nebelmaschine, Staub usw.)
- Tauchen Sie das Gerät nie in eine Flüssigkeit ein.

Wartung

- Alle verwendeten Schrauben müssen fest angespannt werden und dürfen keine Rostspuren zeigen.
- Das Gehäuse, die Linsen, die Montagebügel und der Montageort (z.B. Decke oder Gebinde) dürfen nicht angepasst werden, z.B. bohren Sie keine zusätzlichen Löcher in Montagebügeln, verändern Sie die Anschlüsse nicht usw.
- Mechanisch bewegende Teile dürfen keine Spuren von Abnutzung aufweisen.
- Sorgen Sie dafür, dass die Netzkabel nicht beschädigt sind. Lassen Sie das Gerät von einer Fachkraft warten.
- Außer der Lampe gibt es keine zu wartenden Teile.
- Bestellen Sie eventuelle Ersatzteile bei Ihrem Fachhändler.

9. Technische Daten

Stromversorgung	100-240 V~, 50/60 Hz
Stromverbrauch.....	25 W, pf 0.53
Farbe	
HQLP10002	schwarz
HQLP10003	weiß
Lichtquelle	1 x 30 W COB RGBW
Abstrahlwinkel	25°
Abmessungen.....	270 x 200 x 140 mm
Gewicht	1.6 kg

Verwenden Sie dieses Gerät nur mit originellen Zubehörteilen. Velleman NV übernimmt keine Haftung für Schaden oder Verletzungen bei (falscher) Anwendung dieses Gerätes. Für mehr Informationen zu diesem Produkt und die neueste Version dieser Bedienungsanleitung, siehe www.hqpower.eu. Alle Änderungen ohne vorherige Ankündigung vorbehalten.

© URHEBERRECHT

Velleman NV besitzt das Urheberrecht für diese Bedienungsanleitung. Alle weltweiten Rechte vorbehalten. Ohne vorherige schriftliche Genehmigung des Urhebers ist es nicht gestattet, diese Bedienungsanleitung ganz oder in Teilen zu reproduzieren, zu kopieren, zu übersetzen, zu bearbeiten oder zu speichern.

INSTRUKCJA OBSŁUGI

1. Wstęp

Przeznaczona dla mieszkańców Unii Europejskiej.

Ważne informacje dotyczące środowiska.



Niniejszy symbol umieszczony na urządzeniu bądź opakowaniu wskazuje, że utylizacja produktu może być szkodliwa dla środowiska. Nie należy wyrzucać urządzenia (lub baterii) do zbiorczego pojemnika na odpady komunalne, należy je przekazać specjalistycznej firmie zajmującej się recyklingiem. Niniejsze urządzenie należy zwrócić dystrybutorowi lub lokalnej firmie świadczącej usługi recyklingu. Przestrzegać lokalnych zasad dotyczących środowiska

W razie wątpliwości należy skontaktować się z lokalnym organem odpowiedzialnym za utylizację odpadów.

Dziękujemy za wybór produktu HQPower™! Prosimy o dokładne zapoznanie się z instrukcją obsługi przed użyciem urządzenia. Nie montować ani nie używać urządzenia, jeśli zostało uszkodzone podczas transportu - należy skontaktować się ze sprzedawcą.

2. Wskazówki bezpieczeństwa



- Z niniejszego urządzenia mogą korzystać dzieci powyżej 8 roku życia i osoby o ograniczonych zdolnościach fizycznych, zmysłowych bądź umysłowych, jak również osoby nieposiadające doświadczenia lub znajomości urządzenia, jeśli znajdują się one pod nadzorem innych osób lub jeśli zostały pouczone na temat bezpiecznego sposobu użycia urządzenia oraz zdają sobie sprawę ze związanych z nim zagrożeń. Dzieci nie mogą używać urządzenia do zabawy. Prace związane z czyszczeniem i konserwacją nie mogą być wykonywane przez dzieci pozostawione bez nadzoru.
- Urządzenie należy każdorazowo podłączać do uzziemionego obwodu, aby uniknąć ryzyka śmiertelnego porażenia prądem elektrycznym.
- Jeżeli urządzenie nie jest użytkowane, a także podczas serwisowania i konserwacji, należy odłączać zasilanie sieciowe. Przewód zasilający należy trzymać wyłącznie za wtyczkę.
- Jeśli zewnętrzny, elastyczny kabel lub przewód urządzenia jest uszkodzony, należy go zastąpić specjalnym przewodem, lub przewodem udostępnianym wyłącznie przez producenta lub jego agenta serwisowego.
- Wszystkie przewody i kable należy poprowadzić tak, aby uniknąć ich zdeptania lub przytraśnięcia innymi przedmiotami. Szczególną uwagę należy zwrócić na miejsce, w którym wychodzą z urządzenia.
- Przed włączeniem urządzenia należy usunąć wszystkie znajdujące się w pobliżu łatwopalne materiały.
- Nie montować urządzenia na łatwopalnej powierzchni (linoleum, wykładzina, drewno, papier, tektura, plastik, itp.).
- Urządzenie należy chronić przed źródłami ciepła, takimi jak grzejniki, nawiewy ciepłego powietrza, piece lub inne urządzenia (np. wzmacniacze), które wytwarzają ciepło.
- Pod żadnym pozorem nie zdejmować pokrywy. W urządzeniu nie ma części, które mogą być serwisowane przez użytkownika. Nie używać urządzenia, gdy pokrywa jest usunięta.
- Nie używać urządzenia uszkodzonego w widoczny sposób. Nie podejmować próby użytkowania urządzenia, jeśli przewód zasilający jest postrzępiony lub pęknięty.
- W każdym przypadku urządzenie należy montować w bezpieczny i stabilny sposób. Urządzenie należy montować w obszarach o odpowiedniej wentylacji. Pozostawić odstęp ok. 15 cm między urządzeniem a ścianą.
- Urządzenie może być serwisowane wyłącznie przez wykwalifikowany personel serwisowy.
- Nie stosować oprawy oświetleniowej z popękana lub połamana osłoną ochronną. Natychmiast odłączyć zasilanie elektryczne. Osłona ochronna nie może być wymieniana.



- Przed rozpoczęciem pracy z urządzeniem należy zapoznać się z jego funkcjami.
- Zachować niniejszą instrukcję na przyszłość.
- Każdorazowo należy upewnić się, że urządzenie podłączane jest do źródła prądu zmiennego, odpowiadającego wartości podanej na urządzeniu.
- Urządzenie należy zawsze montować w miejscu o dobrej wentylacji.
- Chronić urządzenie przed pyłem i zbyt wysoką temperaturą. Otwory wentylacyjne nie mogą być zablokowane. Aby zapewnić odpowiednią cyrkulację powietrza, należy pozostawić przynajmniej 2,5 cm wolnej przestrzeni przed otworami.
- Nie podłączać urządzenia do ściemniacza lub rezystora nastawnego.
- Nigdy nie przenosić ani nie przesuwając urządzenia, trzymając za kabel zasilający lub ruchome części. Należy zawsze używać uchwytu.
- W przypadku jakichkolwiek problemów należy niezwłocznie zaprzestać użytkowania urządzenia.
- Nigdy nie podejmować prób naprawy urządzenia. W urządzeniu nie występują części, które mogą być serwisowane przez użytkownika. W sprawie serwisowania i/lub części zamiennych należy zwrócić się do autoryzowanego sprzedawcy.
- Niniejsze urządzenie nie jest przeznaczone do stałej eksploatacji: regularne przerwy w eksploatacji wydłużą żywotność urządzenia.



- Wyłącznie do użytku wewnątrz pomieszczeń. Chronić urządzenie przed deszczem, wilgocią, rozpryskami i ściekającymi cieczami. Nigdy nie stawiać przedmiotów wypełnionych cieczą na urządzeniu.



- Niniejsze urządzenie nie nadaje się do oświetlenia pomieszczeń domowych.

3. Gwarancja

- Proszę zapoznać się z informacjami w części Usługi i gwarancja jakości Velleman® na końcu niniejszej instrukcji.
- Wprowadzanie zmian w urządzeniu jest zabronione ze względów bezpieczeństwa. Uszkodzenia spowodowane zmianami wprowadzonymi przez użytkownika nie podlegają gwarancji.
- Stosować urządzenie wyłącznie zgodnie z przeznaczeniem. Używanie urządzenia w niedozwolony sposób spowoduje unieważnienie gwarancji.
- Gwarancja nie obejmuje uszkodzeń spowodowanych nieprzestrzeganiem niniejszej instrukcji, a sprzedawca nie ponosi odpowiedzialności za wynikłe uszkodzenia lub problemy.
- Firma Velleman ani jej dystrybutorzy nie ponoszą odpowiedzialności za jakiegokolwiek szkody (nadzwyczajne, przypadkowe lub pośrednie) dowolnej natury (finansowe, fizyczne...), wynikające z posiadania, użytkowania lub awarii niniejszego produktu.

4. Montaż

4.1 Informacje ogólne



- Urządzenie powinna zamontować wykwalifikowana osoba, zgodnie z odnośnymi normami.
- Zamontować urządzenie na równej, ogniotrwałej, odpornej na zdrapania i działanie wody oraz antypoślizgowej powierzchni.
- Konstrukcja nośna musi utrzymać przez godzinę bez odształcania obciążenie 10 razy większe niż ciężar urządzenia.
- Należy upewnić się, że w promieniu 1 m od urządzenia nie znajduje się materiał łatwopalny.
- Należy zamontować urządzenie w mało uczęszczanym miejscu, oraz w taki sposób, aby było niedostępne dla nieupoważnionych użytkowników.
- Zamontować urządzenie w miejscu, w którym kabel zasilania jest łatwo dostępny.
- Zamontować urządzenie w dobrze wentylowanym miejscu.

4.2 Montaż na wysokości



- W przypadku zawieszenia, urządzenie musi być zawsze zabezpieczone dodatkowym elementem, np. liną bezpieczeństwa (brak w zestawie).
- Podczas montażu, zdejmowania lub serwisowania nigdy nie stawać bezpośrednio pod urządzeniem. Raz do roku oraz przed przekazaniem do serwisu urządzenie powinien sprawdzić wykwalifikowany technik.
- Montaż na wysokości wymaga doświadczenia: konieczne jest obliczenie wartości granicznych obciążenia oraz wybór materiału do montażu. Należy regularnie kontrolować materiał i urządzenie. Nie próbować samodzielnie montować urządzenia w przypadku braku powyższych kwalifikacji, gdyż nieprawidłowy montaż może spowodować obrażenia ciała.
- Przy montażu na kratownicy należy stosować odpowiednie zaciski (brak w zestawie) i zamocować śrubę M10 do środka (zagiętego) wspornika.

4.3 Pomocniczy element zabezpieczający



Wieszak

Jeśli zestaw obejmuje wieszak, części nośne wieszaka powinny przenosić ciężar dziesięć (10) razy większy niż oprawa, nie powodując trwałego odkształcenia. Ponadto powinny być wykonane z niepalnych materiałów, np. stali lub analogicznego materiału.

Aksesoria

Konstrukcja oprawy powinna uniemożliwiać wypadanie wymiennego wyposażenia, np. kolorowych ramek i drzwiczek, o ile jest ono prawidłowo zamocowane.

Pomocniczy element zabezpieczający

Oprawa powinna być wyposażona w pomocniczy element zabezpieczający, za wyjątkiem opraw przeznaczonych do montażu podłogowego lub wersji przenośnych. Pomocniczy element zabezpieczający należy zaprojektować i zamontować tak, aby żadna część urządzenia nie spadła, jeżeli zawiedzie podstawowy element zabezpieczający. Pomocniczy element zabezpieczający musi wytrzymać 30-krotny zrzut pionowy z wys. 30 cm.

4.4 Podłączanie



- Połączenia przewodów elektrycznych powinny być wykonane przez wykwalifikowanego elektryka.
- Podłączyć wtyczkę zasilającą urządzenia do zasilania sieciowego. Wszystkie urządzenia muszą być zasilane bezpośrednio z uziemionego zasilacza sieciowego. Nie podłączać do ściemniacza.
- Przed rozpoczęciem użytkowania urządzenia instalacja musi zostać zatwierdzona przez eksperta.

5. Przegląd

Patrz rysunki na stronie 2 niniejszej instrukcji.

1	uchwyt
2	wyświetlacz + przyciski menu
3	wejście + wyjście DMX

4	wejście zasilania
5	mocowanie zabezpieczające

6. Obsługa

Urządzenie można stosować w następujących trybach:

- Stand-Alone (tryb niezależny)
- Master/Slave (nadrzędny/podrzędny)
- ze sterownikiem DMX-512.

6.1 Panel sterowania

Funkcje panelu sterowania są dostępne przy użyciu czterech przycisków umieszczonych wokół wyświetlacza.

Menu	przewijanie opcji menu
▲	przejdź w górę na liście menu
▼	przejdź w dół na liście menu
Enter	potwierdzenie wyboru

6.2 Menu

tryb	programowanie	opis	
tryb DMX	Addr	9CH	d001-d512
		5CH	
		4CH	
		3CH	
		2CH	
static colours	Stat	S 01-25	kolory statyczne
auto	Auto	Au 1-4	program automatyczny
sound	Soun	So 1-4	program sterowany dźwiękiem
speed	SPEE	SP 1-9	prędkość
mic sensitivity	SEnS	SE 1-9	czułość mikrofonu
colour edit	CoLo	r000-255	czerwony
		g000-255	zielony
		b000-255	niebieski
		u000-255	biały
dimming	dIMM	dl 1-9	regulacja jasności (ściemnianie)
silent save	SILE	on-off	aktywacja/dezaktywacja trybu dźwiękowego
slave	SLAU	Slave	slave
IR	InFr	on-off	wł/wył podczerwieni

6.3 Tryb Stand-Alone

Po podłączeniu do sieci urządzenie zaczyna pracować w trybie Stand-Alone. Tryb ten pozwala na użytkowanie urządzenia bez sterownika.

6.4 Tryb Master/Slave

- Tryb Master/Slave umożliwia łańcuchowe podłączenie kilku urządzeń do pojedynczego urządzenia Master.
- Wszystkie urządzenia Slave będą pracować synchronicznie z urządzeniem Master.
- Przed podłączeniem urządzenia Master do układu łańcuchowego należy skonfigurować wszystkie urządzenia Slave.

6.5 Tryb DMX

Tryb DMX pozwala na sterowanie urządzeniem za pośrednictwem uniwersalnego sterownika DMX.

- Wszystkie urządzenia sterowane przez DMX wymagają cyfrowego adresu startowego, aby na sygnały odpowiadało właściwe urządzenie. Cyfrowy adres startowy to numer kanału, za którego pośrednictwem urządzenie „słucha” sterownika DMX. Jeden adres startowy może być stosowany dla całej grupy urządzeń lub można ustawić oddzielny adres dla każdego urządzenia.
- Jeżeli wszystkie urządzenia posiadają ten sam adres, wówczas wszystkie jednostki będą „słuchać” sygnałów sterowania za pośrednictwem jednego określonego kanału. Innymi słowy: zmiana ustawień jednego kanału będzie miała wpływ jednocześnie na wszystkie urządzenia. W przypadku ustawienia indywidualnych adresów, każde urządzenie będzie „słuchać” oddzielnego kanału. Zmiana ustawień jednego kanału będzie zatem wpływać tylko na odnośne urządzenie.

6.6 Wartości kanałów DMX

Patrz strona 3 niniejszej instrukcji.

7. Pilot zdalnego sterowania IR

BLACK OUT

Nacisnąć ten przycisk, aby zaciemnić aktualnie aktywny tryb. Nacisnąć ponownie, aby powrócić.

AUTO

Umożliwia uruchomienie programów automatycznych

1. Nacisnąć <AUTO>.
2. Nacisnąć <+> lub <->, aby wybierać różne programy.

SOUND

Umożliwia uruchomienie programów sterowanych dźwiękiem.

1. Nacisnąć <SOUND>.
2. Nacisnąć <+> lub <->, aby wybierać różne programy.

STROBE

Nacisnąć ten przycisk, aby aktywować stroboskop. Nacisnąć ponownie, aby dezaktywować.

1. Nacisnąć <STROBE>.
2. Nacisnąć <+> lub <->, aby wyregulować prędkość stroboskopu.

SPEED

Umożliwia regulację prędkości programów automatycznych.

1. Nacisnąć <SPEED>.
2. Nacisnąć <+> lub <->, aby wybrać program.

SENSITIVITY

Nacisnąć ten przycisk, aby wyregulować czułość programów sterowanych dźwiękiem.

1. Nacisnąć <SENSITIVITY>.
2. Nacisnąć <+> lub <->, aby wyregulować czułość dźwięku.

DMX/%

Umożliwia aktywację/dezaktywację trybu DMX.

MANUAL

Nacisnąć ten przycisk, aby aktywować/dezaktywować tryb ręczny.

1. Nacisnąć <MANUAL>.
2. Wybrać własny kolor.
3. Nacisnąć <+> lub <->, aby wybrać kolory statyczne.

FADE

Nacisnąć <1>, aby włączyć lub wyłączyć laser.

1-9

1. Nacisnąć <1> do <9>, aby wyregulować natężenie koloru.

8. Czyszczenie i konserwacja

Przed rozpoczęciem jakichkolwiek prac związanych z czyszczeniem lub konserwacją:

1. Odłączyć przewód zasilający urządzenia od gniazdka.
2. Pozostawić urządzenie do schłodzenia.

Czyszczenie

- Do wytarcia zewnętrznej obudowy użyć normalnego środka do czyszczenia szkła i miękkiej szmatki.
- Przed ponownym podłączeniem urządzenia należy sprawdzić, czy wszystkie jego części są całkowicie suche.
- Częstotliwość czyszczenia zależy od warunków środowiskowych, w których urządzenie jest eksploatowane (tj. dym, mgła, pył, rosa).
- Nie zanurzać urządzenia w cieczach.

Konserwacja

- Wszystkie śruby powinny być dokręcone i bez śladów korozji.
- Obudowa, soczewki, wsporniki montażowe oraz miejsce instalacji (np. sufit, podwieszenie, belka kratowa) nie powinny być odkształcone, zmieniane lub poddawane modyfikacjom np. poprzez wiercenie dodatkowych otworów we wspornikach montażowych, zmianę lokalizacji połączeń...
- Ruchome części mechaniczne nie mogą nosić śladów zużycia.
- Kable zasilające nie mogą być narażone na uszkodzenia. Konserwację urządzenia powinien przeprowadzić wykwalifikowany technik.
- W urządzeniu nie ma części podlegających konserwacji przez użytkownika, za wyjątkiem bezpiecznika i lampy.
- W sprawie serwisowania i/lub części zamiennych należy zwrócić się do autoryzowanego sprzedawcy.

9. Specyfikacja techniczna

zasilanie	100-240 V~, 50/60 Hz
pobór mocy	25 W, pf 0.53
kolor	
HQLP10002	czarny
HQLP10003	biały
źródło światła	1 x 30 W COB RGBW
kąt padania wiązki światła	25°
wymiary	270 x 200 x 140 mm
waga	1,6 kg

Należy używać wyłącznie oryginalnych akcesoriów. Firma Velleman nv nie ponosi odpowiedzialności za uszkodzenia lub urazy wynikające z (niewłaściwego) korzystania z niniejszego urządzenia. Aby uzyskać więcej informacji dotyczących tego produktu i najnowsza wersja tej instrukcji, odwiedź naszą stronę internetową www.hqpower.eu. Informacje zawarte w niniejszej instrukcji obsługi mogą ulec zmianie bez wcześniejszego powiadomienia.

© INFORMACJA O PRAWACH AUTORSKICH

Właścicielem praw autorskich do niniejszej instrukcji jest firma Velleman nv. Wszelkie prawa są zastrzeżone na całym świecie. Żadna część niniejszej instrukcji nie może być kopiowana, powielana, tłumaczona ani przenoszona na jakikolwiek nośnik elektroniczny (lub w inny sposób) bez wcześniejszej pisemnej zgody właściciela praw autorskich.

MANUAL DO UTILIZADOR

1. Introdução

Aos cidadãos da União Europeia

Importantes informações sobre o meio ambiente no que respeita a este produto



Este símbolo no aparelho ou na embalagem indica que, enquanto desperdícios, poderão causar danos no meio ambiente. Não coloque a unidade (ou as pilhas) no depósito de lixo municipal; deve dirigir-se a uma empresa especializada em reciclagem. Devolva o aparelho ao seu distribuidor ou ao posto de reciclagem local. Respeite a legislação local relativa ao meio ambiente.

Em caso de dúvidas, contacte com as autoridades locais para os resíduos.

Agradecemos o facto de ter escolhido a HQPower™! Leia atentamente as instruções do manual antes de usar o aparelho. Caso o aparelho tenha sofrido algum dano durante o transporte não o instale e entre em contacto com o seu distribuidor.

2. Instruções de segurança



- Este aparelho pode ser usado por crianças com idade igual ou superior a 8 anos e pessoas com capacidades físicas, mentais e sensoriais reduzidas, ou com falta de experiência e conhecimentos acerca do aparelho, desde que sejam supervisionadas e informadas acerca da utilização do aparelho e possíveis acidentes. As crianças não devem brincar com o aparelho. A limpeza e manutenção não devem ser feitas por crianças sem a devida supervisão.
- Ligue sempre o aparelho a um circuito com ligação terra a fim de evitar eletrocussão.
- Desligue sempre o aparelho da tomada elétrica se este não vai ser utilizado ou antes de quaisquer operações de manutenção. Segure sempre na ficha para desligar o cabo da rede, nunca no próprio cabo.
- Caso o cabo flexível exterior ou o cabo de alimentação estejam danificados, terão de ser substituídos por um cabo especial, disponível apenas junto do fabricante ou de um agente oficial.
- Todos os cabos devem ser colocados de forma a que não possam ser pisados ou pressionados por objetos colocados sobre ou contra os mesmos. Preste especial atenção ao ponto em que estes saem para fora da unidade.
- Retire todos os materiais inflamáveis da proximidade do aparelho antes de o ligar.
- Não instale o dispositivo numa superfície inflamável (linóleo, tapetes, madeira, papel, papelão, plástico, etc.).
- Proteja o dispositivo de fontes de calor, como radiadores, registadores de temperatura, fogões ou quaisquer outros aparelhos (incluindo amplificadores) que produzam calor.
- Não remova a tampa sob quaisquer condições. Não existem peças no interior que possam ser reparada pelo utilizador. Nunca coloque o aparelho a funcionar se a tampa não estiver no devido lugar.
- Não utilize um aparelho que esteja visivelmente danificado. Não tente colocar este dispositivo a funcionar se o cabo de alimentação estiver danificado.
- Instale sempre o aparelho de uma forma segura e estável. Instale o aparelho num local onde exista ventilação adequada. Deixe uma distância de 15 cm entre o aparelho e a parede.
- Este aparelho só deve ser reparado por pessoal devidamente qualificado.
- Não utilize a lâmpada se a placa protetora estiver partida ou estalada. Desligue imediatamente da corrente elétrica. A placa de proteção não pode ser substituída.



- Familiarize-se com o funcionamento do aparelho antes de o utilizar.
- Guarde este manual para posterior consulta.
- Certifique-se sempre de que liga o dispositivo a uma corrente alterna que corresponda ao valor indicado no dispositivo.
- Instale sempre o aparelho num local com boa ventilação.
- Não exponha o equipamento ao pó nem a temperaturas extremas. Certifique-se sempre que os orifícios de ventilação não se encontram bloqueados. Para garantir circulação de ar suficiente, deixe pelo menos 2.5 cm de espaço em frente às aberturas de ventilação.
- Nunca ligue o dispositivo a um regulador ou a um reostato.
- Nunca transporte ou mova o aparelho segurando pelo cabo de alimentação ou por qualquer outra peça móvel. Utilize sempre o suporte.
- Na eventualidade de um problema de funcionamento, desligue o aparelho imediatamente.
- Nunca tente reparar o aparelho. O utilizador não terá de fazer a manutenção das peças. Contacte um agente autorizado para assistência e/ou peças de substituição.
- Este aparelho não foi concebido para funcionar de modo contínuo: períodos de intervalo durante o funcionamento irão prolongar a sua duração.



- Usar apenas no interior. Proteger o aparelho contra a chuva e humidade ou qualquer tipo de salpicos ou gotas. Nunca coloque recipientes com líquidos em cima do aparelho.



- Este aparelho não está indicado para a iluminação comum do espaço doméstico

3. Garantia

- Consulte a Garantia de Serviço e Qualidade Velleman® na parte final deste manual do utilizador.
- Por razões de segurança, estão proibidas quaisquer modificações do aparelho desde que não autorizadas. Os danos causados por modificações não autorizadas do aparelho não estão cobertos pela garantia.
- Utilize o aparelho apenas para as aplicações descritas neste manual. Uma utilização incorreta anula a garantia completamente.
- Danos causados pelo não cumprimento das normas de segurança referidas neste manual anulam a garantia e o seu distribuidor não será responsável por quaisquer danos ou outros problemas daí resultantes.
- Nem Velleman NV nem os seus distribuidores podem ser responsabilizados por quaisquer danos (extraordinário, incidental ou indireto) - de qualquer natureza decorrentes (financeira, física...) a partir da posse, uso ou falha do produto.

4. Instalação

4.1 Normas gerais



- O dispositivo deve instalado por uma pessoa qualificada, respeitando todas as normas aplicáveis.
- Instale o dispositivo numa superfície uniforme, resistente ao fogo, resistente a riscos, à prova de água e não escorregadia.
- A estrutura de transporte tem de ser capaz de suportar 10 vezes o peso do dispositivo durante 1 hora sem se deformar.
- Certifique-se de que não existem materiais inflamáveis num raio de 1 m em torno do aparelho.
- Instale o dispositivo num local que não seja de grande passagem e inacessível a pessoas não autorizadas.
- Instale o aparelho num local em que possa facilmente aceder ao cabo de alimentação.
- Instale o aparelho numa área bem ventilada.

4.2 Instalação Suspensa



- Quando pendurado, o dispositivo deve sempre ser seguro por um acessório adicional, por exemplo, um cabo de segurança (não incl.).
- Evite estar debaixo do projector durante a montagem, limpeza, etc. Um técnico especializado deverá inspeccionar o aparelho antes de ser colocado em funcionamento. Depois, deverá ser inspeccionado uma vez por ano.
- A montagem suspensa requer uma vasta experiência. deve saber conseguir calcular a carga máx. do suporte, conhecer os materiais necessários à instalação, etc. De vez em quando, deve ser feita uma verificação da estrutura e do próprio dispositivo por um técnico especializado. Não tente instalar o aparelho sozinho caso não tenha as qualificações necessárias pois isso poderá causar acidentes graves.
- Para a montagem da treliça, usar um grampo adequado (não incl.) e coloque um parafuso M10 através do centro do suporte (dobrado).

4.3 Suspensão Secundária



Gancho

Sempre que é fornecido um gancho, as peças de suporte do gancho devem ser capazes de suportar dez (10) vezes o peso da luminária sem deformação permanente, e serão fabricadas a partir de materiais não combustíveis, tais como o aço ou equivalente.

Acessórios

A luminária foi concebida de forma a que os acessórios amovíveis, por ex. molduras coloridas e outros, quando colocados corretamente, não possam cair/sair da luminária.

Suspensão Secundária

Uma suspensão secundária para a luminária terá de ser fornecida, excepto quando a luminária se destinar a ser montada no chão, ou caso se destine a uma utilização portátil. A suspensão secundária devem ser concebida e montada de tal forma que, em caso de falha da suspensão primária, nenhuma parte da luminária pode cair. A suspensão secundária deve suportar uma queda vertical de 30 centímetros por 30 vezes.

4.4 Ligação



- Recorra a um electricista qualificado para fazer a ligação eléctrica.
- Ligue o dispositivo à rede eléctrica através da ficha de alimentação. Todos os dispositivos devem ser alimentados diretamente através de um circuito comutado com ligação à terra. Não conecte a um regulador (dimmer).
- A instalação deve ser verificada por um perito antes de o aparelho ser colocado em funcionamento.

5. Descrição

Veja as imagens na página 2 deste manual.

1	suporte
2	visor + botões de menu
3	entrada e saída DMX

4	entrada da alimentação
5	olho de segurança

6. Utilização

O aparelho pode ser usado nos seguintes modos:

- modo autónomo
- mestre/escravo
- com um controlador DMX-512.

6.1 Painel de Controlo

Aceda às funções do painel de controlo usando os quatro botões do painel que se situam à volta do visor.

Menu	desloque-se através das opções do menu
▲	subir na lista de menus
▼	descer na lista de menus
Confirmar (Enter)	confirmar uma seleção

6.2 Menu

modo	programação	descrição	
Modo DMX	Addr	9CH	d001-d512
		5CH	
		4CH	
		3CH	
		2CH	
static colours	Stat	S 01-25	cores estáticas
auto	Auto	Au 1-4	programa automático
sound	Soun	So 1-4	programa de som
speed	SPEE	SP 1-9	velocidade
mic sensitivity	SEnS	SE 1-9	sensibilidade do microfone
editar cores	Colo	r000-255	vermelho
		g000-255	verde
		b000-255	azul
		u000-255	branco
dimming	dIMM	dl 1-9	regulação do brilho
silent save	SILE	on-off	modo som cenário silencioso
slave	SLAU	Slave	escravo
IR	InFr	on-off	ligar-desligar IV

6.3 Modo Autónomo

O aparelho começa a funcionar no modo autónomo assim que à ligado à corrente. Este modo permite ao utilizador usar o aparelho sem controlador.

6.4 Modo Principal/Secundário

- O modo principal/secundário permite ligar vários dispositivos a uma unidade principal em sistema de cadeia.
- Todos os dispositivos secundários irão funcionar em sintonia com o dispositivo principal.
- Configure todas as unidades secundárias antes de ligar a unidade principal à cadeia.

6.5 Modo DMX

O modo DMX permite-lhe controlar o dispositivo através de um qualquer controlador DMX universal.

- Todos os dispositivos controlados por DMX precisam de um endereço de partida digital para que o dispositivo correto responda aos sinais. Este endereço de partida digital é o número do canal a partir do qual o dispositivo começa a "ouvir" o controlador de DMX. Um mesmo endereço de partida digital pode ser usado por um grupo inteiro de dispositivos ou pode ser atribuído um endereço a cada um dos dispositivos.
- Quando todos os dispositivos partilham o mesmo endereço, todas as unidades irão "ouvir" o sinal de controlo num determinado canal. Por outras palavras: alterar as definições de um canal irá afetar todos os dispositivos em simultâneo. Caso opte por endereços individuais, cada dispositivo irá "ouvir" um número de canal em separado. Alterar as configurações de um canal irá afetar apenas o canal em questão.

6.6 Valores do Canal DMX

Consulte a página 3 deste manual.

7. Controlador Remoto IV

BLACK OUT

Pressione este botão para interromper o modo de ativo. Pressione novamente para retomar.

AUTO

Permite-lhe utilizar os programas automáticos.

1. Pressione <AUTO>.
2. Pressione <+> ou <-> para escolher entre os diferentes programas.

SOUND

Permite-lhe utilizar os programas controlador por som.

1. Pressione <SOUND>.
2. Pressione <+> ou <-> para escolher entre os diferentes programas.

STROBE

Pressione este botão para ativar o estroboscópio. Pressione novamente para desativar.

1. Pressione <STROBE>.
2. Pressione <+> ou <-> para regular a velocidade do estroboscópio.

SPEED

Permite-lhe regular a velocidade dos programas automáticos.

1. Pressione <SPEED>.
2. Pressione <+> ou <-> para escolher o programa.

SENSITIVITY

Pressione este botão para ajustar a sensibilidade dos programas controlados por som.

1. Pressione <SENSITIVITY>.
2. Pressione <+> ou <-> para ajustar a sensibilidade do som.

DMX/%

Permite-lhe ativar/desativar o modo DMX.

Manual

Pressione este botão para ativar/desativar o modo manual.

1. Pressione <MANUAL>.
2. Selecione a sua cor.
3. Pressione <+> ou <-> para selecionar as cores estáticas.

FADE

Pressione <FADE> para ativar ou desativar o regulador.

1-9

1. Pressione <1> a <9> para ajustar a intensidade da cor.

8. Limpeza e manutenção

Antes de qualquer operação de limpeza ou manutenção:

1. Desligue o cabo de alimentação da corrente elétrica.
2. Deixe o aparelho arrefecer.

Limpeza

- Use um limpa-vidros vulgar e um pano macio para limpar o exterior do aparelho.
- Certifique-se de que seca muito bem todas as peças antes de voltar a colocar o aparelho em funcionamento.
- A frequência da limpeza depende do ambiente no qual a unidade está a funcionar (por ex, fumo, resíduos de nevoeiro, poeira, orvalho).
- Não mergulhe o aparelho em qualquer tipo de líquido.

Manutenção

- Todos os parafusos devem estar bem apertados e não apresentar sinais de corrosão.
- A caixa, as lentes, os suportes de montagem e o local de instalação (por exemplo, teto, suspensão, amarras) não devem apresentar-se deformados, modificados ou adulterados; ou seja, não faça furos adicionais nos suportes de montagem, não altere a localização das ligações...
- As peças mecânicas móveis não devem apresentar qualquer sinal de desgaste.
- Não danifique os cabos de alimentação. Contacte um técnico especializado para instalar o aparelho.
- Não existem peças cuja manutenção seja feita pelo utilizador, excepto o fusível e a lâmpada.
- Contacte um agente autorizado para assistência e/ou peças de substituição.

9. Especificações

alimentação	100-240 V~, 50/60 Hz
consumo	25 W, pf 0.53
cor	
HQLP10002	preto
HQLP10003	branco
fonte de luz	1 x 30 W COB RGBW
ângulo do feixe de luz.....	25°
dimensões	270 x 200 x 140 mm
peso	1.6 kg

Utilize este aparelho apenas com acessórios originais. A Velleman NV não será responsável por quaisquer danos ou lesões causados pelo uso (indevido) do aparelho. Para mais informação sobre este produto e para aceder à versão mais recente deste manual do utilizador, visite a nossa página www.hqpower.eu. Podem alterar-se as especificações e o conteúdo deste manual sem aviso prévio.

© DIREITOS DE AUTOR

A Velleman NV detém os direitos de autor deste manual do utilizador. Todos os direitos mundiais reservados. É estritamente proibido reproduzir, traduzir, copiar, editar e gravar este manual do utilizador ou partes deste sem prévia autorização escrita por parte da detentora dos direitos.

Velleman® Service and Quality Warranty

Since its foundation in 1972, Velleman® acquired extensive experience in the electronics world and currently distributes its products in over 85 countries.

All our products fulfil strict quality requirements and legal stipulations in the EU. In order to ensure the quality, our products regularly go through an extra quality check, both by an internal quality department and by specialized external organisations. If, all precautionary measures notwithstanding, problems should occur, please make appeal to our warranty (see guarantee conditions).

General Warranty Conditions Concerning Consumer Products (for EU):

• All consumer products are subject to a 24-month warranty on production flaws and defective material as from the original date of purchase.

• Velleman® can decide to replace an article with an equivalent article, or to refund the retail value totally or partially when the complaint is valid and a free repair or replacement of the article is impossible, or if the expenses are out of proportion.

You will be delivered a replacing article or a refund at the value of 100% of the purchase price in case of a flaw occurred in the first year after the date of purchase and delivery, or a replacing article at 50% of the purchase price or a refund at the value of 50% of the retail value in case of a flaw occurred in the second year after the date of purchase and delivery.

• Not covered by warranty:

- all direct or indirect damage caused after delivery to the article (e.g. by oxidation, shocks, falls, dust, dirt, humidity...), and by the article, as well as its contents (e.g. data loss), compensation for loss of profits;

- consumable goods, parts or accessories that are subject to an aging process during normal use, such as batteries (rechargeable, non-rechargeable, built-in or replaceable), lamps, rubber parts, drive belts... (unlimited list);

- flaws resulting from fire, water damage, lightning, accident, natural disaster, etc....;

- flaws caused deliberately, negligently or resulting from improper handling, negligent maintenance, abusive use or use contrary to the manufacturer's instructions;

- damage caused by a commercial, professional or collective use of the article (the warranty validity will be reduced to six (6) months when the article is used professionally);

- damage resulting from an inappropriate packing and shipping of the article;

- all damage caused by modification, repair or alteration performed by a third party without written permission by Velleman®.

• Articles to be repaired must be delivered to your Velleman® dealer, solidly packed (preferably in the original packaging), and be completed with the original receipt of purchase and a clear flaw description.

• Hint: In order to save on cost and time, please reread the manual and check if the flaw is caused by obvious causes prior to presenting the article for repair. Note that returning a non-defective article can also involve handling costs.

• Repairs occurring after warranty expiration are subject to shipping costs.

• The above conditions are without prejudice to all commercial warranties.

The above enumeration is subject to modification according to the article (see article's manual).

Velleman® service- en kwaliteitsgarantie

Velleman® heeft sinds zijn oprichting in 1972 een ruime ervaring opgebouwd in de elektronica-wereld en verdeelt op dit moment producten in meer dan 85 landen. Al onze producten beantwoorden aan strikte kwaliteitseisen en aan de wettelijke bepalingen geldig in de EU. Om de kwaliteit te waarborgen, ondergaan onze producten op regelmatige tijdstippen een extra kwaliteitscontrole, zowel door onze eigen kwaliteitsafdeling als door externe gespecialiseerde organisaties. Mocht er ondanks deze voorzorgen toch een probleem optreden, dan kunt u steeds een beroep doen op onze waarborg (zie waarborgvoorwaarden).

Algemene waarborgvoorwaarden consumentengoederen (voor Europese Unie):

• Op alle consumentengoederen geldt een garantieperiode van 24 maanden op productie- en materiaalfouten en dit vanaf de oorspronkelijke aankoopdatum.

• Indien de klacht gegrond is en een gratis reparatie of vervanging van een artikel onmogelijk is of indien de kosten hiervoor buiten verhouding zijn, kan Velleman® beslissen het desbetreffende artikel te vervangen door een gelijkwaardig artikel of de aankoopsom van het artikel gedeeltelijk of volledig terug te betalen. In dat geval krijgt u een vervangend product of terugbetaling ter waarde van 100% van de aankoopsom bij ontdekking van een gebrek tot één jaar na aankoop en

levering, of een vervangend product tegen 50% van de kostprijs of terugbetaling van 50 % bij ontdekking na één jaar tot 2 jaar.

• Valt niet onder waarborg:

- alle rechtstreekse of onrechtstreekse schade na de levering veroorzaakt aan het toestel (bv. door oxidatie, schokken, val, stof, vuil, vocht...), en door het toestel, alsook zijn inhoud (bv. verlies van data), verderging voor eventuele winstderving.

- verbruiksgoederen, onderdelen of hulpstukken die onderhevig zijn aan veroudering door normaal gebruik zoals bv. batterijen (zowel oplaadbare als niet-oplaadbare, ingebouwd of vervangbaar), lampen, rubberen onderdelen, aandrijfriemen... (onbeperkte lijst).

- defecten ten gevolge van brand, waterschade, bliksem, ongevallen, natuurrampen, enz.

- defecten veroorzaakt door opzet, nalatigheid of door een onoordkundige behandeling, slecht onderhoud of abnormaal gebruik of gebruik van het toestel strijdig met de voorschriften van de fabrikant.

- schade ten gevolge van een commercieel, professioneel of collectief gebruik van het apparaat (bij professioneel gebruik wordt de garantieperiode herdeld tot 6 maanden).

- schade veroorzaakt door onvoldoende bescherming bij transport van het apparaat.

- alle schade door wijzigingen, reparaties of modificaties uitgevoerd door derden zonder toestemming van Velleman®.

• Toestellen dienen ter reparatie aangeboden te worden bij uw Velleman®-verdelers. Het toestel dient verzegeld te zijn van het oorspronkelijke aankoopbewijs. Zorg voor een degelijke verpakking (bij voorkeur de originele verpakking) en voeg een duidelijke foutomschrijving bij.

• Tip: alvorens het toestel voor reparatie aan te bieden, kijk nog eens na of er geen voor de hand liggende reden is waarom het toestel niet naar behoren werkt (zie handleiding). Op deze wijze kunt u kosten en tijd besparen. Denk eraan dat er ook voor niet-defecte toestellen een kost voor controle aangerekend kan worden.

• Bij reparaties buiten de waarborgperiode zullen transportkosten aangerekend worden.

• Elke commerciële garantie laat deze rechten onverminderd.

Bovenstaande opsomming kan eventueel aangepast worden naargelang de aard van het product (zie handleiding van het betreffende product).

Garantie de service et de qualité Velleman®

Depuis 1972, Velleman® a gagné une vaste expérience dans le secteur de l'électronique et est actuellement distributeur dans plus de 85 pays.

Tous nos produits répondent à des exigences de qualité rigoureuses et à des dispositions légales en vigueur dans l'UE. Afin de garantir la qualité, nous soumettons régulièrement nos produits à des contrôles de qualité supplémentaires, tant par notre propre service qualité que par un service qualité externe. Dans le cas improbable d'un défaut malgré toutes les précautions, il est possible d'invoquer notre garantie (voir les conditions de garantie).

Conditions générales concernant la garantie sur les produits grand public (pour l'UE) :

• tout produit grand public est garanti 24 mois contre tout vice de production ou de matériaux à dater du jour d'acquisition effective ;

• si la plainte est justifiée et que la réparation ou le remplacement d'un article est jugé impossible, ou lorsque les coûts s'avèrent disproportionnés, Velleman® s'autorise à remplacer ledit article par un article équivalent ou à rembourser la totalité ou une partie du prix d'achat.

Le cas échéant, il vous sera consenti un article de remplacement ou le remboursement complet du prix d'achat lors d'un défaut dans un délai de 1 an après l'achat et la livraison, ou un article de remplacement moyennant 50% du prix d'achat ou le remboursement de 50% du prix d'achat lors d'un défaut après 1 à 2 ans.

• sont par conséquent exclus :

- tout dommage direct ou indirect survenu à l'article après livraison (p.ex. dommage lié à l'oxydation, choc, chute, poussière, sable, impureté...) et provoqué par l'appareil, ainsi que son contenu (p.ex. perte de données) et une indemnisation éventuelle pour perte de revenus ;

- toute pièce ou accessoire nécessitant un remplacement causé par un usage normal comme p.ex. piles (rechargeables comme non rechargeables, intégrées ou remplaçables), ampoules, pièces en caoutchouc, courroies... (liste illimitée) ;

- tout dommage qui résulte d'un incendie, de la foudre, d'un accident, d'une catastrophe naturelle, etc. ;

- out dommage provoqué par une négligence, volontaire ou non, une utilisation ou un entretien incorrect, ou une utilisation de l'appareil contraire aux prescriptions du fabricant ;

- tout dommage à cause d'une utilisation commerciale, professionnelle ou collective de l'appareil (la période de garantie sera réduite à 6 mois lors d'une utilisation professionnelle);

- tout dommage à l'appareil qui résulte d'une utilisation incorrecte ou différente que celle pour laquelle il a été initialement prévu comme décrit dans la notice;

- tout dommage engendré par un retour de l'appareil emballé dans un conditionnement non ou insuffisamment protégé.

- toute réparation ou modification effectuée par une tierce personne sans l'autorisation explicite de SA Velleman®; - frais de transport de et vers Velleman® si l'appareil n'est plus couvert sous la garantie.

• toute réparation sera fournie par l'endroit de l'achat. L'appareil doit nécessairement être accompagné du bon d'achat d'origine et être dûment conditionné (de préférence dans l'emballage d'origine avec mention du défaut);

• tuyau : il est conseillé de consulter la notice et de contrôler câbles, piles, etc. avant de retourner l'appareil. Un appareil retourné jugé défectueux qui s'avère en bon état de marche pourra faire l'objet d'une note de frais à charge du consommateur;

• une réparation effectuée en-dehors de la période de garantie fera l'objet de frais de transport;

• toute garantie commerciale ne porte pas atteinte aux conditions susmentionnées.

La liste susmentionnée peut être sujette à une complémentation selon le type de l'article et être mentionnée dans la notice d'emploi.

ES

Garantía de servicio y calidad Velleman®

Desde su fundación en 1972 Velleman® ha adquirido una amplia experiencia como distribuidor en el sector de la electrónica en más de 85 países. Todos nuestros productos responden a normas de calidad rigurosas y disposiciones legales vigentes en la UE. Para garantizar la calidad, sometemos nuestros productos regularmente a controles de calidad adicionales, tanto a través de nuestro propio servicio de calidad como de un servicio de calidad externo. En el caso improbable de que surgirían problemas a pesar de todas las precauciones, es posible recurrir a nuestra garantía (véase las condiciones de garantía).

Condiciones generales referentes a la garantía sobre productos de venta al público (para la Unión Europea):

• Todos los productos de venta al público tienen un período de garantía de 24 meses contra errores de producción o errores en materiales desde la adquisición original;

• Si la queja está fundada y si la reparación o sustitución de un artículo no es posible, o si los gastos son desproporcionados, Velleman® autoriza reemplazar el artículo por un artículo equivalente o reembolsar la totalidad o una parte del precio de compra. En este caso, usted recibirá un artículo de recambio o el reembolso completo del precio de compra si encuentra algún fallo hasta un año después de la compra y entrega, o un artículo de recambio al 50% del precio de compra o el reembolso del 50% del precio de compra si encuentra un fallo después de 1 año y hasta los 2 años después de la compra y entrega.

Por consiguiente, están excluidos entre otras cosas:

- todos los daños causados directa o indirectamente al aparato (p.ej. por oxidación, choques, caída,...) y a su contenido (p.ej. pérdida de datos) después de la entrega y causados por el aparato, y cualquier indemnización por posible pérdida de ganancias;

- partes o accesorios, que estén expuestos al desgaste causado por un uso normal, como por ejemplo baterías (tanto recargables como no recargables, incorporadas o reemplazables), bombillas, partes de goma, etc. (lista ilimitada);

- defectos causados por un incendio, daños causados por el agua, rayos, accidentes, catástrofes naturales, etc.;

- defectos causados a conciencia, descuido o por malos tratos, un mantenimiento inapropiado o un uso anormal del aparato contrario a las instrucciones del fabricante;

- daños causados por un uso comercial, profesional o colectivo del aparato (el período de garantía se reducirá a 6 meses con uso profesional);

- daños causados por un uso incorrecto o un uso ajeno al que está previsto el producto inicialmente como está descrito en el manual del usuario;

- daños causados por una protección insuficiente al transportar el aparato.

- daños causados por reparaciones o modificaciones efectuadas por una tercera persona sin la autorización explícita de Velleman®;

- se calcula gastos de transporte de y a Velleman® si el aparato ya no está cubierto por la garantía.

• Cualquier artículo que tenga que ser reparado tendrá que ser devuelto a su distribuidor Velleman®. Devuelva el aparato con la factura de compra original y transfórtele en un embalaje sólido (preferentemente el embalaje original). Incluya también una buena descripción del fallo;

• Consejo: Lea el manual del usuario y controle los cables, las pilas, etc. antes de devolver el aparato. Si no se encuentra un defecto en el artículo los gastos podrían correr a cargo del cliente;

• Los gastos de transporte correrán a carga del cliente para una reparación efectuada fuera del período de garantía.

• Cualquier gesto comercial no disminuye estos derechos.

La lista previamente mencionada puede ser adaptada según el tipo de artículo (véase el manual del usuario del artículo en cuestión).

DE

Velleman® Service- und Qualitätsgarantie

Seit der Gründung in 1972 hat Velleman® sehr viel Erfahrung als Verteiler in der Elektronikwelt in über 85 Ländern aufgebaut.

Alle Produkte entsprechen den strengen Qualitätsforderungen und gesetzlichen Anforderungen in der EU. Um die Qualität zu gewährleisten werden unsere Produkte regelmäßig einer zusätzlichen Qualitätskontrolle unterworfen, sowohl von unserer eigenen Qualitätsabteilung als auch von externen spezialisierten Organisationen. Sollten, trotz aller Vorsichtsmaßnahmen, Probleme auftreten, nehmen Sie bitte die Garantie in Anspruch (siehe Garantiebedingungen).

Allgemeine Garantiebedingungen in Bezug auf Konsumgüter (für die Europäische Union):

• Alle Produkte haben für Material- oder Herstellungsfehler eine Garantieperiode von 24 Monaten ab Verkaufsdatum.

• Wenn die Klage berechtigt ist und falls eine kostenlose Reparatur oder ein Austausch des Gerätes unmöglich ist, oder wenn die Kosten dafür unverhältnismäßig sind, kann Velleman® sich darüber entscheiden, dieses Produkt durch ein gleiches Produkt zu ersetzen oder die Kaufsumme ganz oder teilweise zurückzuzahlen. In diesem Fall erhalten Sie ein Ersatzprodukt oder eine Rückzahlung im Werte von 100% der Kaufsumme im Falle eines Defektes bis zu 1 Jahr nach Kauf oder Lieferung, oder Sie bekommen ein Ersatzprodukt im Werte von 50% der Kaufsumme oder eine Rückzahlung im Werte von 50% im Falle eines Defektes im zweiten Jahr.

• Von der Garantie ausgeschlossen sind:

- alle direkten oder indirekten Schäden, die nach Lieferung am Gerät und durch das Gerät verursacht werden (z.B. Oxidation, Stöße, Fall, Staub, Schmutz, Feuchtigkeit, ...), sowie auch der Inhalt (z.B. Datenverlust), Entschädigung für eventuellen Gewinnausfall.

- Verbrauchsgüter, Teile oder Zubehörfteile, die durch normalen Gebrauch dem Verschleiß ausgesetzt sind, wie z.B. Batterien (nicht nur aufladbare, sondern auch nicht aufladbare, eingebaute oder ersetzbare), Lampen, Gummiteile, Treibriemen, usw. (unbeschränkte Liste).

- Schäden verursacht durch Brandschaden, Wasserschaden, Blitz, Unfälle, Naturkatastrophen, usw.

- Schäden verursacht durch absichtliche, nachlässige oder unsachgemäße Anwendung, schlechte Wartung, zweckentfremdete Anwendung oder Nichtbeachtung von Benutzerhinweisen in der Bedienungsanleitung.

- Schäden infolge einer kommerziellen, professionellen oder kollektiven Anwendung des Gerätes (bei gewerblicher Anwendung wird die Garantieperiode auf 6 Monate zurückgeführt).

- Schäden verursacht durch eine unsachgemäße Verpackung und unsachgemäßen Transport des Gerätes.

- alle Schäden verursacht durch unautorisierte Änderungen, Reparaturen oder Modifikationen, die von einem Dritten ohne Erlaubnis von Velleman® vorgenommen werden.

• Im Fall einer Reparatur, wenden Sie sich an Ihren Velleman®-Verteiler. Legen Sie das Produkt ordnungsgemäß verpackt (vorzugsweise die Originalverpackung) und mit dem Original-Kaufbeleg vor. Fügen Sie eine deutliche Fehlerbeschreibung hinzu.

• Hinweis: Um Kosten und Zeit zu sparen, lesen Sie die Bedienungsanleitung nochmals und überprüfen Sie, ob es keinen auf der Hand liegenden Grund gibt, ehe Sie das Gerät zur Reparatur zurückschicken. Stell sich bei der Überprüfung des Gerätes heraus, dass kein Geräteschaden vorliegt, könnte dem Kunden eine Untersuchungspauschale berechnet.

• Für Reparaturen nach Ablauf der Garantiefrist werden Transportkosten berechnet.

• Jede kommerzielle Garantie lässt diese Rechte unberührt.

Die oben stehende Aufzählung kann eventuell angepasst werden gemäß der Art des Produktes (siehe Bedienungsanleitung des Gerätes).

PL**Velleman® usługi i gwarancja jakości**

Od czasu założenia w 1972, Velleman® zdobył bogate doświadczenie w dziedzinie światowej elektroniki. Obecnie firma dystrybuuje swoje produkty w ponad 85 krajach.

Wszystkie nasze produkty spełniają surowe wymagania jakościowe oraz wypełniają normy i dyrektywy obowiązujące w krajach UE. W celu zapewnienia najwyższej jakości naszych produktów, przechodzą one regularne oraz dodatkowe wyrwykomy badania kontroli jakości, zarówno naszego wewnętrznego działu jakości jak również wyspecjalizowanych firm zewnętrznych. Pomimo dołożenia wszelkich starań czasem mogą pojawić się problemy techniczne, prosimy odwołać się do gwarancji (patrz warunki gwarancji).

Ogólne Warunki dotyczące gwarancji:

- Wszystkie produkty konsumenckie podlegają 24-miesięcznej gwarancji na wady produkcyjne i materiałowe od daty zakupu.
- W przypadku, gdy usterka jest niemożliwa do usunięcia lub koszt usunięcia jest nadmiernie wysoki Velleman® może zdecydować o wymianie artykułu na nowy, wolny od wad lub zwroć zapłaconą kwotę. Zwrot gotówki może jednak nastąpić z uwzględnieniem poniższych warunków:
- zwrot 100% ceny zakupu w przypadku, gdy wada wystąpiła w ciągu pierwszego roku od daty zakupu i dostawy
- wymiana wadliwego artykułu na nowy, wolny od wad z odpłatnością 50% ceny detalicznej lub zwrot 50% kwoty ceny nabycia w przypadku gdy wada wystąpiła w drugim roku od daty zakupu i dostawy.

• Produkt nie podlega naprawie gwarancyjnej:

- gdy wszystkie bezpośrednie lub pośrednie szkody spowodowane są działaniem czynników środowiskowych lub losowych (np. przez utlenianie, wstrząsy, upadki, kurz, brud, ...), wilgotności;
- gwarant nie ponosi odpowiedzialności za szkody wynikających z utraty danych;

- produkty konsumenckie, części zamienne lub akcesoria podatne na proces starzenia, wynikającego z normalnego użytkowania, np.: baterie (ładowalne, nieladowalne, wbudowane lub wymienne), żarówki, paski napędowe, gumowe elementy napędowe... (nieograniczona lista);
- usterka wynika z działania pożaru, zalania wszelkimi cieczami, uderzenia pioruna, upadku lub kłęski żywiołowej, itp.;

- usterka wynika z zaniedbań eksploatacyjnych tj. umyślne bądź nieumyślne zaniechanie czyszczenia, konserwacji, wymiany materiałów eksploatacyjnych, niedbalstwa lub z niewłaściwego obchodzenia się lub niezgodnego użytkowania z instrukcją producenta;
- szkody wynikające z nadmiernego użytkowania gdy nie jest do tego celu przeznaczony tj. działalność komercyjna, zawodowa lub wspólne użytkowanie przez wiele osób - okres obowiązywania gwarancji zostanie obniżony do 6 (sześć) miesięcy;

- Szkody wynikające ze złe zabezpieczonej wysyłki produktu;
- Wszelkie szkody spowodowane przez nieautoryzowaną naprawę, modyfikację, przeróbkę produktu przez osoby trzecie jak również bez pisemnej zgody firmy Velleman®.
- Uszkodzony produkt musi zostać dostarczony do sprzedawcy® Velleman, solidnie zapakowany (najlepiej w oryginalnym opakowaniu), wraz z wyposażeniem z jakim produkt został sprzedany. W przypadku wysyłki towaru w opakowaniu innym niż oryginalnym ryzyko usterki produktu oraz tego skutki przechodzą na właściciela produktu. Wraz z niesprawnym produktem należy dołączyć jasny i szczegółowy opis jego usterki, wady;

- Wskazówka: Aby zaoszczędzić na kosztach i czasie, proszę szczegółowo zapoznać się z instrukcją obsługi; czy przyczyną wady są okoliczności techniczne czy też wynikają wyłącznie z nieznajomości obsługi produktu. W przypadku wysyłki sprawnego produktu do serwisu nabywca może zostać obciążony kosztami obsługi oraz transportu.
- W przypadku napraw pogwarancyjnych lub odpłatnych klient ponosi dodatkowo koszt wysyłki produktu do i z serwisu.

wymienione wyżej warunki są bez uszczerbku dla wszystkich komercyjnych gwarancji.

Powyższe postanowienia mogą podlegać modyfikacji w zależności od wyrobu (patrz art obsługi).

PT**Garantia de serviço e de qualidade Velleman®**

Desde a sua fundação em 1972 Velleman® tem adquirido uma ampla experiência no sector da electrónica com uma distribuição em mais de 85 países.

Todos os nossos produtos respondem a exigências rigorosas e a disposições legais em vigor na UE. Para garantir a qualidade, submetemos regularmente os nossos produtos a controlos de qualidade suplementares, com o nosso próprio serviço qualidade como um serviço de qualidade externo. No caso improvável de um defeito mesmo com as

nossas precauções, é possível invocar a nossa garantia. (ver as condições de garantia).

Condições gerais com respeito a garantia sobre os produtos grande público (para a UE):

- qualquer produto grande público é garantido 24 mês contra qualquer vício de produção ou materiais a partir da data de aquisição efectiva;
- no caso da reclamação ser justificada e que a reparação ou substituição de um artigo é impossível, ou quando os custo são desproporcionados, Velleman® autoriza-se a substituir o dito artigo por um artigo equivalente ou a devolver a totalidade ou parte do preço de compra. Em outro caso, será consentido um artigo de substituição ou devolução completa do preço de compra no caso de um defeito no prazo de 1 ano depois da data de compra e entrega, ou um artigo de substituição pagando o valor de 50% do preço de compra ou devolução de 50% do preço de compra para defeitos depois de 1 a 2 anos.

• estão por consequência excluídos:

- todos os danos directos ou indirectos depois da entrega do artigo (p.ex. danos ligados a oxidação, choques, quedas, poeiras, areias, impurezas...) e provocado pelo aparelho, como o seu conteúdo (p.ex. perca de dados) e uma indemnização eventual por perca de receitas;
- consumíveis, peças ou acessórios sujeitos a desgaste causado por um uso normal, como p.ex. pilhas (recarregáveis, não recarregáveis, incorporadas ou substituíveis), lâmpadas, peças em borracha correias... (lista ilimitada);

- todos os danos que resultem de um incêndio, raios, de um acidente, de uma catastrophe natural, etc.;

- danos provocados por negligencia, voluntária ou não, uma utilização ou manutenção incorrecta, ou uma utilização do aparelho contrária as prescrições do fabricante;

- todos os danos por causa de uma utilização comercial, profissional ou colectiva do aparelho (o período de garantia será reduzido a 6 meses para uma utilização profissional);

- todos os danos no aparelho resultando de uma utilização incorrecta ou diferente daquela inicialmente prevista e descrita no manual de utilização;
- todos os danos depois de uma devolução não embalada ou mal protegida ao nível do acondicionamento.

- todas as reparações ou modificações efectuadas por terceiros sem a autorização de SA Velleman®;

- despesas de transporte de e para Velleman® se o aparelho não estiver coberto pela garantia.

- qualquer reparação será fornecida pelo local de compra. O aparelho será obrigatoriamente acompanhado do talão ou factura de origem e bem acondicionado (de preferência dentro da embalagem de origem com indicação do defeito ou avaria);

- dica: aconselha-mos a consulta do manual e controlar cabos, pilhas, etc. antes de devolver o aparelho. Um aparelho devolvido que estiver em bom estado será cobrado despesas a cargo do consumidor;

- uma reparação efectuada fora da garantia, será cobrado despesas de transporte;

- qualquer garantia comercial não prevalece as condições aqui mencionadas.

A lista pode ser sujeita a um complemento conforme o tipo de artigo e estar mencionada no manual de utilização.

Made in PRC**Imported by Velleman nv****Legen Heirweg 33, 9890 Gavere, Belgium****www.velleman.eu**