

APPROVAL SHEET

To Messers : _____

Model No. : MAGNETIC CONTACT

Part No. : HAA28

Date : _____

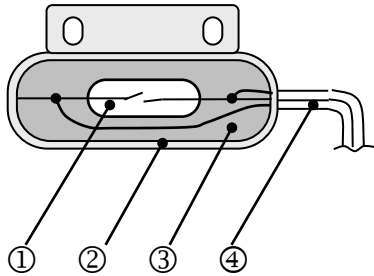
Maker _____

| Authorized Signature | | | |
|----------------------|--|-------------|-------------|
| CUSTOM APPROVED | | APPROVED BY | PREPARED BY |
| | | | |

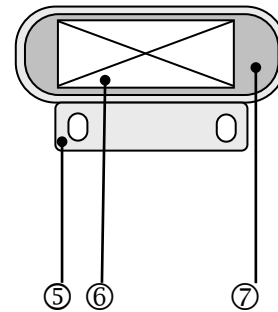
This sheet is made up of structure, specification and dimension .

1. Structure

Switch



Magnet



| No. | Model | Parts | |
|-----|-----------------|------------------------|--|
| 1 | Reed Switch | HYR1532 | |
| 2 | Plastic Case | ABS Resin PA-709 | |
| 3 | Plastic molding | Epoxy Resin EP108FR | |
| 4 | Wire | AWG#24 1007 VW-1 | |
| 5 | Plastic Case | ABS Resin PA-709 | |
| 6 | Magnet | Anisotropic ferrite | |
| 7 | Plastic Molding | Epoxy Resin EP108FR | |

2. Specification

Switch

| | | |
|--------|----------------------------|--|
| 2-1-1 | Loop type | : closed loop |
| 2-1-2 | Reed Switch Contact Form | : FORM A N.C. |
| 2-1-3 | Switching voltage (max.) | : 100v AC / DC |
| 2-1-4 | Switching current (max.) | : 100 mA |
| 2-1-5 | Contact capacity (max.) | : 5 watt |
| 2-1-6 | Initial contact resistance | : 0.2 Ohm max. |
| 2-1-7 | Carry current (max.) | : 100 mA |
| 2-1-8 | Breakdown voltage | : 150 VDC |
| 2-1-9 | Insulation resistance | : 100 Mohm min. |
| 2-1-10 | Switch cycle | : 5×10^7 cycle at 12. V 50 mA |

Magnet

| | | |
|-------|----------------------------------|-----------------------|
| 2-2-1 | Material | : Anisotropic ferrite |
| 2-2-2 | Residual flux density (Br) | : 3300 -3600 Gauss |
| 2-2-3 | Maximun energy product (BH) max. | : 2.5 -3.5 MG.Oe |
| 2-2-4 | Curie temperature (Tc) | : 450°C |

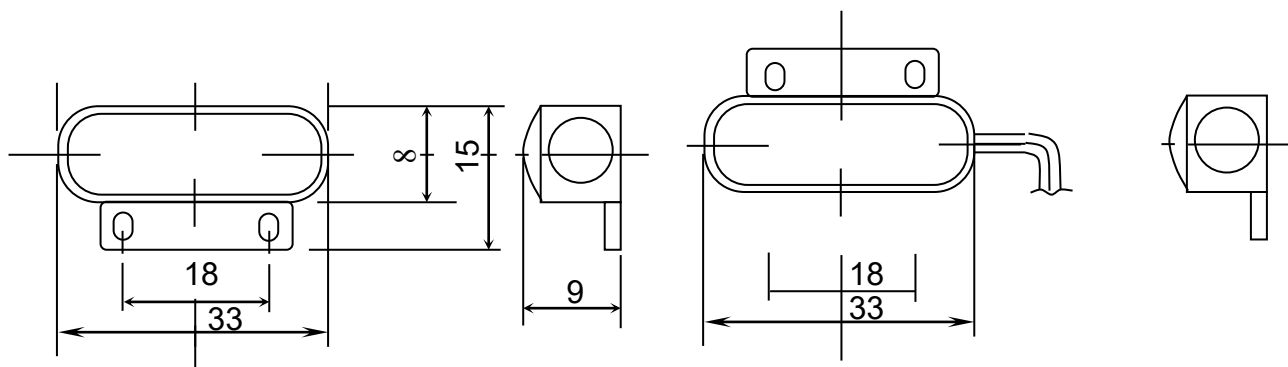
Gap

| | | |
|-------|-----------|-------------|
| 2-3-1 | Sense gap | : 20mm min. |
|-------|-----------|-------------|

Physical characteristic

| | | |
|-------|--------------|--|
| 2-4-1 | Temperature | : -20°C— +60°C |
| 2-4-2 | Vibration | : 20 G (10— 55 Hz) |
| 2-4-3 | Shock | : 30 G (11 msec) |
| 2-4-4 | Heat shock | : -25°C—+65°C (30min) (30min) 100 cycle |
| 2-4-5 | Package drop | : Drop height 80 cm |
| 2-4-6 | Humidity | : 80°C 95% RH 72 hrs |

3. Dimension



Unit: mm