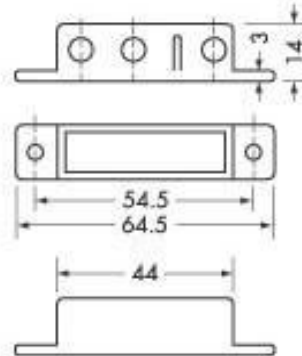


REED SWITCH

DIMENSIONS :



ELECTRICAL CHARACTERISTICS

Reed Switch Contact Form	SPDT (N.C+N.O)
Loop type	SPDT Loop
Operating distance	1.5 cm
Size	64.5 x 14 mm
Color	White
Switching Voltage (max.)	30 DC/AC
Switching Current (max.)	0.2 A
Contact Capacity (max.)	3 VA
Carry Current (max.)	0.5 A
Insulation Resistance (min.)	1000 MΩ
Features	<ul style="list-style-type: none"> ● quick response, light weight ● stable switching ● long-life lifetime (resistive loads): 1.000.000 (12 VDC, 100 mA)
Uses	Anti-theft with window and door switch

velleman®