

UPA Power Supplies/Transformers

www.boschsecurity.com



BOSCH
Invented for life



- ▶ Provides efficient, constant power for CCD and MegaPixel cameras, keyboards and other low power usage products
- ▶ Models are exceptionally energy efficient
- ▶ Meet or exceed International Energy Efficiency Level IV requirements
- ▶ 24 VAC and 12 VDC secondary output models
- ▶ Screw terminals for ease of installation on some models

The Bosch UPA Series of Power Supplies is designed specifically for the continual use demands of professional surveillance products. While UPA models are used primarily with security cameras, their small size and high energy efficiency rating also make them ideal for powering a wide range of other low power security products, including many Allegiant® system accessories and control devices.

The UPA 60 Hz models are designed specifically to meet the strict efficiency standards and laws being adopted in the United States. These efficient power supplies meet or exceed the International Energy Efficiency Level IV requirements.

Certifications and Approvals

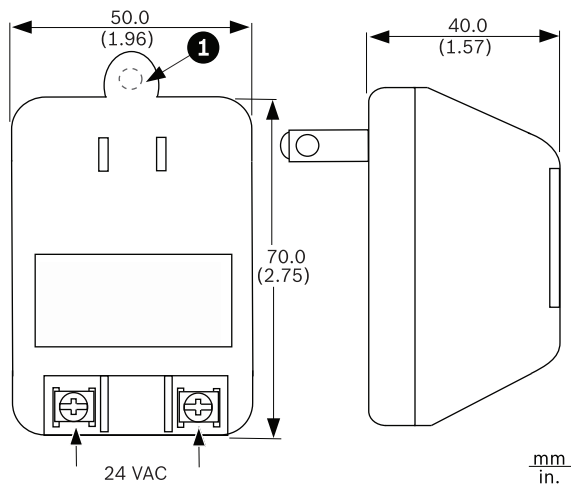
| | |
|-------------------------------------|--|
| Electromagnetic Compatibility (EMC) | Complies with FCC Part 15, ICES-003, and CE regulations |
| Product Safety | Complies with CE regulations, UL, CSA, EN, and IEC standards |
| Energy Efficiency | Meets Energy Efficiency Level IV |

Technical Specifications

| Model No. | Rated Input | Rated Output |
|-------------|-------------|--------------|
| UPA-2410-60 | 120 VAC, | 24 VAC, |

| | | |
|--------------|-----------------------|------------------------|
| | 60 Hz | 60 Hz, 10 VA |
| UPA-2430-60 | 120 VAC, 60 Hz | 24 VAC, 1.25 A, 30 VA |
| UPA-12300-60 | 120 VAC, 60 Hz | 12 VDC, 300 mA |
| TC1382 | 24 VAC, 50/60 Hz | 24 VAC, 50/60 Hz, 7 VA |
| UPA-2420-50 | 220-240 V, 50 Hz | 24 V, 20 VA |
| UPA-2450-60 | 120 VAC, 60 Hz | 24 VAC, 60 Hz, 50 VA |
| UPA-2450-50 | 230 VAC, 50 Hz | 24 VAC, 50 VA |
| UPA-1220-60 | 100-240 VAC, 50/60 Hz | 12 VDC, 1A, regulated |
| UPA-1220-50 | 100-240 VAC, 50/60 Hz | 12 VDC, 1A, regulated |
| UPA-1509-60 | 120 VAC, 60 Hz | 15 VDC, 600 mA |
| UPA-1509-50 | 220-240 VAC, 50/60 Hz | 15 VDC, 600 mA |

UPA-2410-60



UPA-2410-60 Power Supply

1 Legacy mounting tab

Electrical

| | |
|--------------|----------------------|
| Rated Input | 120 VAC, 60 Hz |
| Rated Output | 24 VAC, 60 Hz, 10 VA |

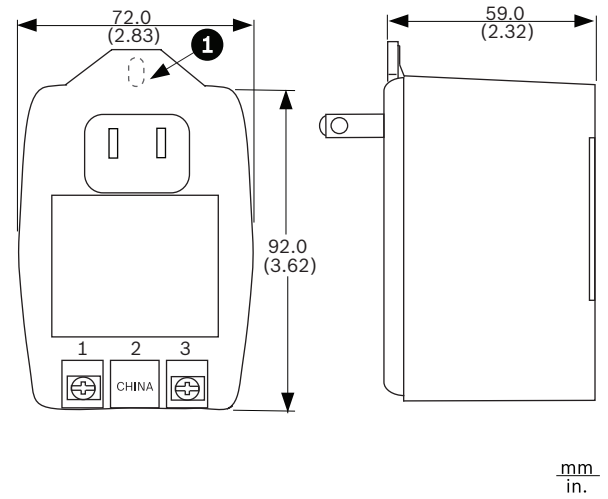
Mechanical

| | |
|------------------------|--|
| Input Connectors | 2-prong, North American standard (non-polarized) |
| Output Connectors | Two (2) screw terminals |
| Construction/Finish | Black plastic case |
| Dimensions (W x D x H) | 50 x 40 x 70 mm (1.96 x 1.57 x 2.75 in.) |
| Weight | 0.25 kg (0.56 lb) |
| Recommended Use | 24 VAC compact CCD cameras |

Environmental

| | |
|-----------------------|--------------------------------|
| Operating Temperature | -10°C to 40°C (14°F to 104°F) |
| Storage Temperature | -30°C to 75°C (-22°F to 167°F) |
| Humidity | 30% to 85% relative |

UPA-2430-60



UPA-2430-60 Power Supply

1 Legacy mounting tab

Electrical

| | |
|--------------|-----------------------|
| Rated Input | 120 VAC, 60 Hz |
| Rated Output | 24 VAC, 1.25 A, 30 VA |

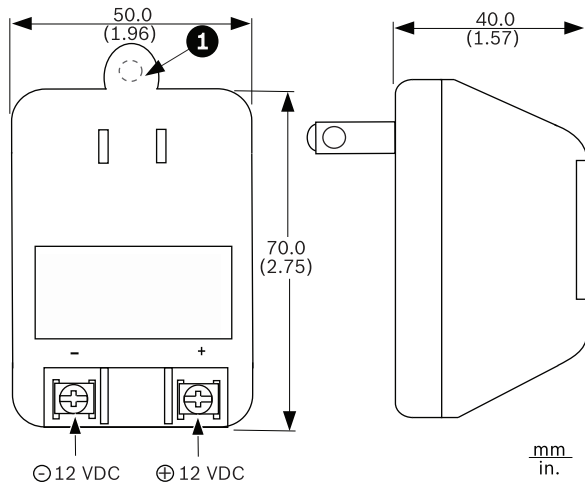
Mechanical

| | |
|------------------------|--|
| Input Connectors | 2-prong, North American standard (non-polarized) |
| Output Connectors | Two (2) screw terminals |
| Construction/Finish | Black plastic case |
| Dimensions (W x D x H) | 66.5 x 56.5 x 91.5 mm (2.62 x 2.22 x 3.60 in.) |
| Weight | 0.58 kg (1.28 lb) |
| Recommended Use | Medium power box cameras |

Environmental

| | |
|-----------------------|--------------------------------|
| Operating Temperature | -10°C to 40°C (14°F to 104°F) |
| Storage Temperature | -30°C to 80°C (-22°F to 176°F) |
| Humidity | 30% to 85% relative |

UPA-12300-60



UPA-12300-60 Power Supply

1 Legacy mounting tab

Electrical

| | |
|--------------|----------------|
| Rated Input | 120 VAC, 60 Hz |
| Rated Output | 12 VDC, 300 mA |

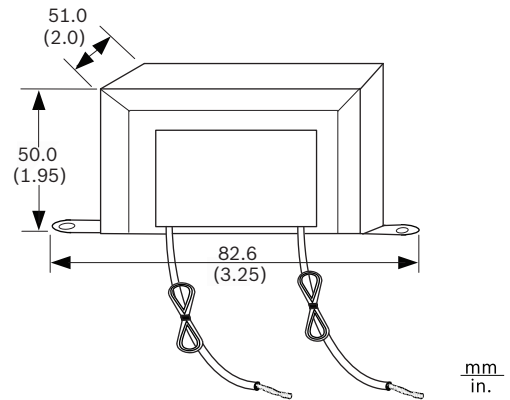
Mechanical

| | |
|------------------------|--|
| Input Connectors | 2-prong, North American standard (non-polarized) |
| Output Connectors | Two (2) screw terminals |
| Construction/Finish | Black plastic case |
| Dimensions (W x D x H) | 50 x 40 x 70 mm (1.96 x 1.57 x 2.75 in.) |
| Weight | 0.20 kg (0.44 lb) |
| Recommended Use | Bosch Flexidome camera series (low power models only – no heater, no IP) |

Environmental

| | |
|-----------------------|--------------------------------|
| Operating Temperature | -10°C to 40°C (14°F to 104°F) |
| Storage Temperature | -30°C to 75°C (-22°F to 167°F) |
| Humidity | 30% to 85% relative |

TC1382 Isolation Transformer



TC1382 Isolation Transformer

Electrical

| | |
|--------------|------------------------|
| Rated Input | 24 VAC, 50/60 Hz |
| Rated Output | 24 VAC, 50/60 Hz, 7 VA |

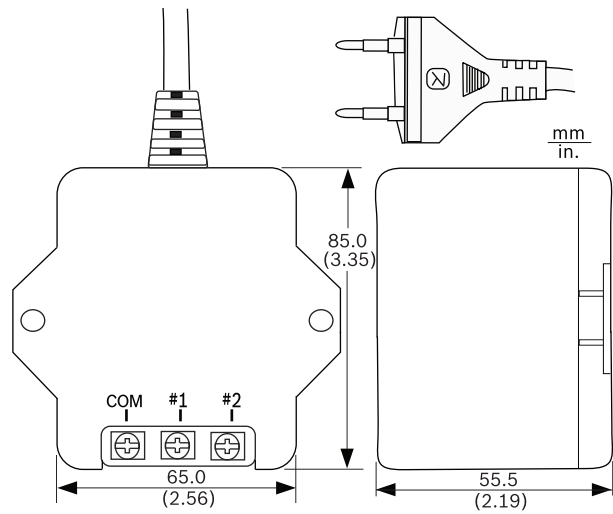
Mechanical

| | |
|------------------------|---|
| Input Connectors | Black wire leads, 203 mm (8 in.) |
| Output Connectors | Brown wire leads, 203 mm (8 in.) |
| Construction/Finish | Uncased |
| Dimensions (W x D x H) | 82.6 x 51 x 50 mm (3.25 x 2 x 1.95 in.) |
| Weight | 0.45 kg (1 lb) |
| Recommended Use | 24 VAC isolation of low powered box cameras |

Environmental

| | |
|-----------------------|--------------------------------|
| Operating Temperature | -10°C to 40°C (14°F to 104°F) |
| Storage Temperature | -30°C to 80°C (-22°F to 176°F) |
| Humidity | 30% to 85% relative |

UPA-2420-50



UPA-2420-50 Power Supply

Electrical

| | |
|--------------|------------------|
| Rated Input | 220-240 V, 50 Hz |
| Rated Output | 24 V, 20 VA |

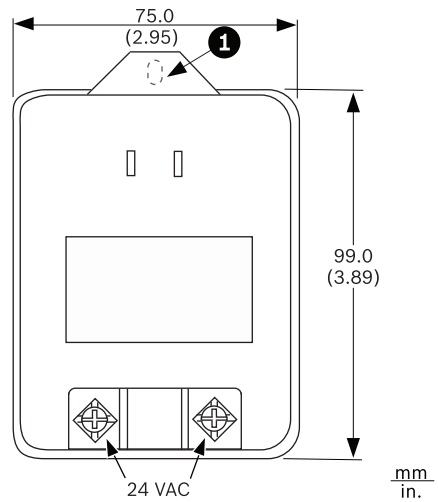
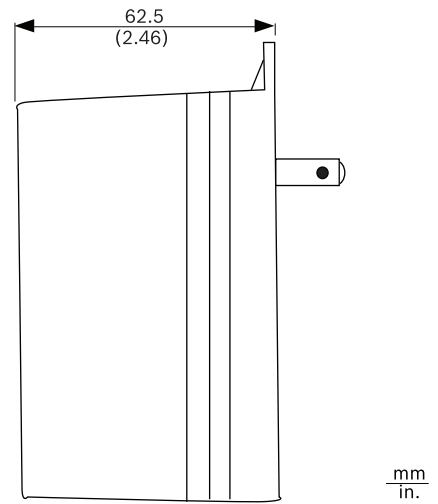
Mechanical

| | |
|------------------------|--|
| Input Connectors | 2-prong, European Europlug standard (4 mm / 19 mm) |
| Output Connectors | Three (3) screw terminals |
| Construction/Finish | Black plastic case |
| Dimensions (W x D x H) | 65.0 x 55.5 x 85.0 mm (2.56 x 2.19 x 3.35 in.) |
| Weight | 0.78 kg (1.72 lb) |
| Recommended Use | Medium power box cameras |

Environmental

| | |
|-----------------------|--------------------------------|
| Operating Temperature | -10°C to 40°C (14°F to 104°F) |
| Storage Temperature | -30°C to 80°C (-22°F to 176°F) |
| Humidity | 30% to 85% relative |

UPA-2450-60



UPA-2450-60 Power Supply

- 1 Legacy mounting tab

Electrical

| | |
|--------------|----------------|
| Rated Input | 120 VAC, 60 Hz |
| Rated Output | 24 VAC, 50 VA |

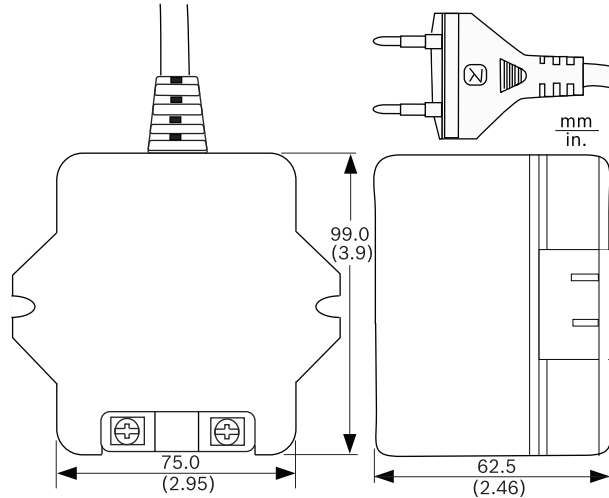
Mechanical

| | |
|------------------------|--|
| Input Connectors | 2-prong, North American standard (non-polarized) |
| Output Connectors | Two (2) screw terminals |
| Construction/Finish | Black plastic case |
| Dimensions (W x D x H) | 75.0 x 62.5 x 99.0 mm (2.95 x 2.46 x 3.89 in.) |
| Weight | 0.84 kg (1.86 lb) |
| Recommended Use | Bosch KBE Series pre-package cameras |

Environmental

| | |
|-----------------------|-----------------------------------|
| Operating Temperature | -10°C to 40°C (14°F to 104°F) |
| Storage Temperature | -30°C to 80°C (-22°F to 176°F) |
| Humidity | 30% to 85% relative |

UPA-2450-50



UPA-2450-50 Power Supply

Electrical

| | |
|--------------|----------------|
| Rated Input | 230 VAC, 50 Hz |
| Rated Output | 24 VAC, 50 VA |

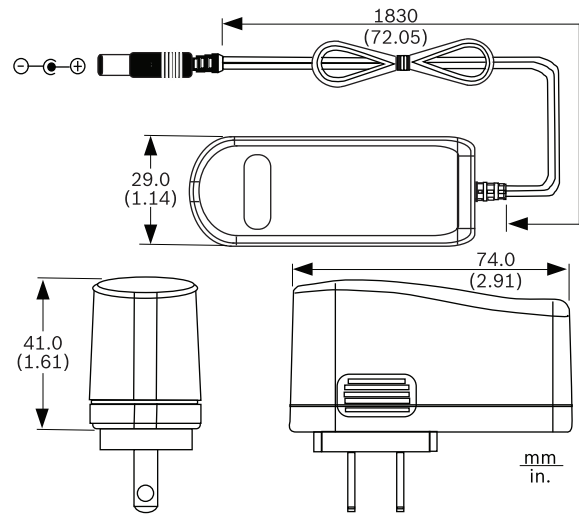
Mechanical

| | |
|------------------------|--|
| Input Connectors | 2-prong, European Europlug standard (4 mm / 19 mm) |
| Output Connectors | Two (2) screw terminals |
| Construction/Finish | Black plastic case |
| Dimensions (W x D x H) | 75 x 62.5 x 99.0 mm (2.95 x 2.46 x 3.9 in.) |
| Weight | 1.16 kg (2.56 lb) |
| Recommended Use | Bosch KBE Series pre-package camera |

Environmental

| | |
|-----------------------|-----------------------------------|
| Operating Temperature | -10°C to 40°C (14°F to 104°F) |
| Storage Temperature | -30°C to 75°C (-22°F to 167°F) |
| Humidity | 30% to 85% relative |

UPA-1220-60



UPA-1220-60 Power Supply

Electrical

| | |
|--------------|--------------------------|
| Rated Input | 100-240 VAC, 50/60 Hz |
| Rated Output | 12 VDC, 1.0 A, regulated |

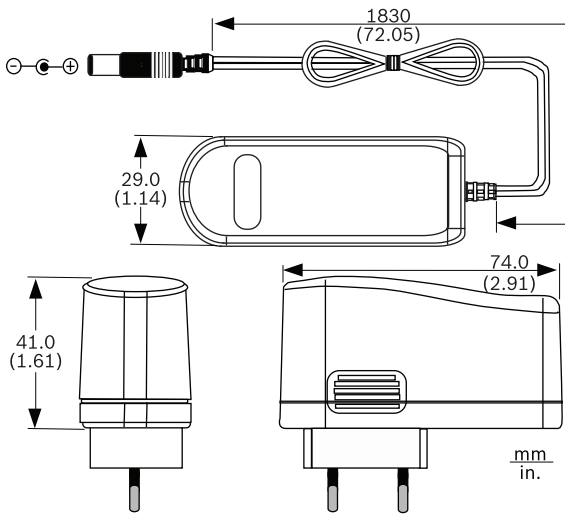
Mechanical

| | |
|------------------------|--|
| Input Connectors | 2-prong, North American standard (non-polarized) |
| Output Connectors | 2.1 x 5.5 x 10.0 mm plug (0.8 x 0.22 x 0.4 in.) |
| Construction/Finish | Black plastic case |
| Dimensions (W x D x H) | 74.0 x 29.0 x 41.0 mm (2.91 x 1.14 x 1.61 in.) |
| Weight | 0.12 kg (0.26 lb) |
| Recommended Use | Bosch megapixel cameras |

Environmental

| | |
|-----------------------|-----------------------------------|
| Operating Temperature | -10°C to 40°C (14°F to 104°F) |
| Storage Temperature | -30°C to 80°C (-22°F to 176°F) |
| Humidity | 30% to 85% relative |

UPA-1220-50



UPA-1220-50 Power Supply

Electrical

| | |
|--------------|--------------------------|
| Rated Input | 100-240 VAC, 50/60 Hz |
| Rated Output | 12 VDC, 1.0 A, regulated |

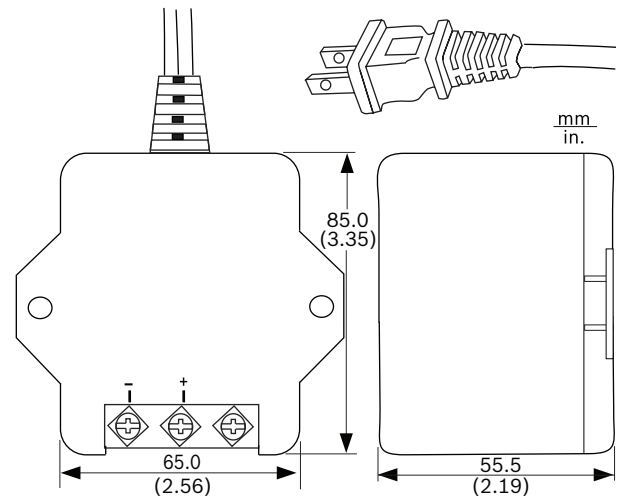
Mechanical

| | |
|------------------------|--|
| Input Connectors | 2-prong, European Europlug standard (4 mm / 19 mm) |
| Output Connectors | 2.1 x 5.5 x 10.0 mm plug (0.8 x 0.22 x 0.4 in.) |
| Construction/Finish | Black plastic case |
| Dimensions (W x D x H) | 74.0 x 29.0 x 41.0 mm (2.91 x 1.14 x 1.61 in.) |
| Weight | 0.12 kg (0.26 lb) |
| Recommended Use | Bosch megapixel cameras |

Environmental

| | |
|-----------------------|--------------------------------|
| Operating Temperature | -10°C to 40°C (14°F to 104°F) |
| Storage Temperature | -30°C to 80°C (-22°F to 176°F) |
| Humidity | 30% to 85% relative |

UPA-1509-60



UPA-1509-60 Power Supply

Electrical

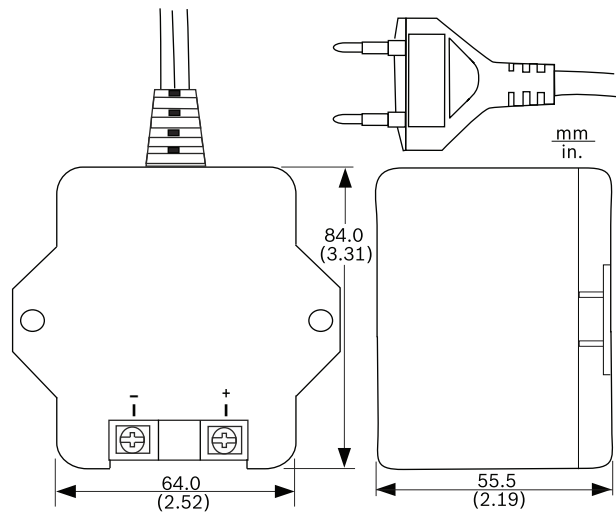
| | |
|--------------|----------------|
| Rated Input | 120 VAC, 60 Hz |
| Rated Output | 15 VDC, 600 mA |

Mechanical

| | |
|------------------------|--|
| Input Connectors | 2-prong, North American standard (non-polarized) |
| Output Connectors | Three (3) screw terminals |
| Construction/Finish | Black plastic case |
| Dimensions (W x D x H) | 64.7 x 53.8 x 84.7 mm (2.55 x 2.12 x 3.33 in.) |
| Weight | 0.66 kg (1.46 lb) |
| Recommended Use | Bosch IntuiKey Series keyboards, LTC 8786 Series converters, LTC 8782 Series translators, LTC 8557 Series extension kits |

Environmental

| | |
|-----------------------|--------------------------------|
| Operating Temperature | -10°C to 40°C (14°F to 104°F) |
| Storage Temperature | -30°C to 70°C (-22°F to 158°F) |
| Humidity | 35% to 85% relative |

UPA-1509-50

UPA-1509-50 Power Supply

Electrical

| | |
|--------------|-----------------------|
| Rated Input | 220-240 VAC, 50/60 Hz |
| Rated Output | 15 VDC, 600 mA |

Mechanical

| | |
|------------------------|--|
| Input Connectors | 2-prong, European Europlug standard (4 mm / 19 mm) |
| Output Connectors | Two (2) screw terminals |
| Construction/Finish | Black plastic case |
| Dimensions (W x D x H) | 64.7 x 53.8 x 84.7 mm (2.55 x 2.12 x 3.33 in.) |
| Weight | 0.66 kg (1.46 lb) |
| Recommended Use | Bosch IntuiKey Series keyboards, LTC 8786 Series converters, LTC 8782 Series translators, LTC 8557 Series extension kits |

Environmental

| | |
|-----------------------|--------------------------------|
| Operating Temperature | -10°C to 40°C (14°F to 104°F) |
| Storage Temperature | -30°C to 80°C (-22°F to 176°F) |
| Humidity | 30% to 85% relative |

Ordering Information**UPA-2410-60 Power Supply**

120 VAC, 60 Hz, 24 VAC, 10 VA Out
Order number **UPA-2410-60**

UPA-12300-60 Power Supply

120 VAC, 60 Hz, 12 VDC, 300 mA Out
Order number **UPA-12300-60**

UPA-2450-60 Power Supply, 120 V, 60 Hz

Indoor, 120 VAC, 60 Hz In; 24 VAC, 50 VA Out
Order number **UPA-2450-60**

UPA-1220-60 Power Supply

120 VAC, 60 Hz, 12 VDC, 1 A Out, regulated
Order number **UPA-1220-60**

UPA-1220-50 Power Supply

220 VAC, 50 Hz, 12 VDC, 1 A Out, regulated
Order number **UPA-1220-50**

UPA-2430-60 Power Supply

120 VAC, 60 Hz, 24 VAC, 30 VA Out
Order number **UPA-2430-60**

UPA-1509-50 Power Supply

220 VAC, 50 Hz, 15 VDC, 9 VA Out
Order number **UPA-1509-50**

UPA-1509-60 Power Supply

120 VAC, 60 Hz, 15 VDC, 9 VA Out
Order number **UPA-1509-60**

UPA-2450-50 Power Supply, 220 V, 50 Hz

Indoor, 220 VAC, 50 Hz In; 24 VAC, 50 VA Out
Order number **UPA-2450-50**

UPA-2420-50 Power Supply

220 VAC, 50 Hz, 24 VAC, 20 VA Out
Order number **UPA-2420-50**

UPA-1509-10 Power Supply

24VAC, 50/60Hz, 15VDC, 9VA Out
Order number **UPA-1509-10**

TC1382 Isolation Transformer

24 VAC, 7 VA
Order number **TC1382**

Represented by:

Americas:

Bosch Security Systems, Inc.
130 Perinton Parkway
Fairport, New York, 14450, USA
Phone: +1 800 289 0096
Fax: +1 585 223 9180
security.sales@us.bosch.com
www.boschsecurity.us

Europe, Middle East, Africa:

Bosch Security Systems B.V.
P.O. Box 80002
5617 BA Eindhoven, The Netherlands
Phone: + 31 40 2577 284
Fax: +31 40 2577 330
emea.securitysystems@bosch.com
www.boschsecurity.com

Asia-Pacific:

Robert Bosch (SEA) Pte Ltd, Security
Systems
11 Bishan Street 21
Singapore 573943
Phone: +65 6571 2808
Fax: +65 6571 2699
apr.securitysystems@bosch.com
www.boschsecurity.asia

China:

Bosch (Shanghai) Security Systems Ltd.
201 Building, No. 333 Fuquan Road
North IBP
Changning District, Shanghai
200335 China
Phone +86 21 22181111
Fax: +86 21 22182398
www.boschsecurity.com.cn

America Latina:

Robert Bosch Ltda Security Systems Division
Via Anhanguera, Km 98
CEP 13065-900
Campinas, Sao Paulo, Brazil
Phone: +55 19 2103 2860
Fax: +55 19 2103 2862
al.securitysystems@bosch.com
www.boschsecurity.com