

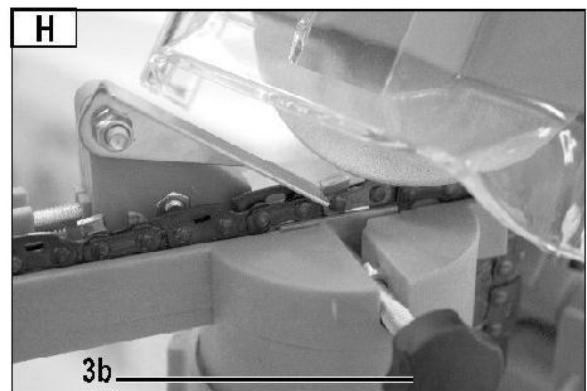
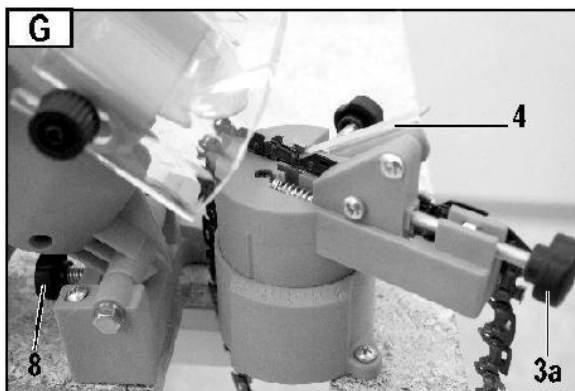
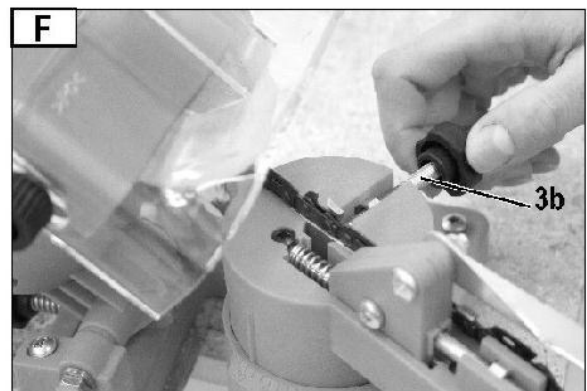
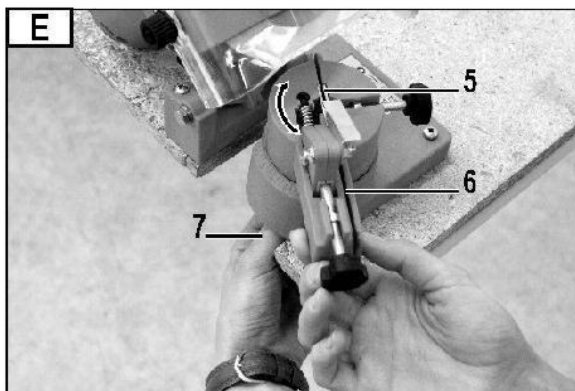
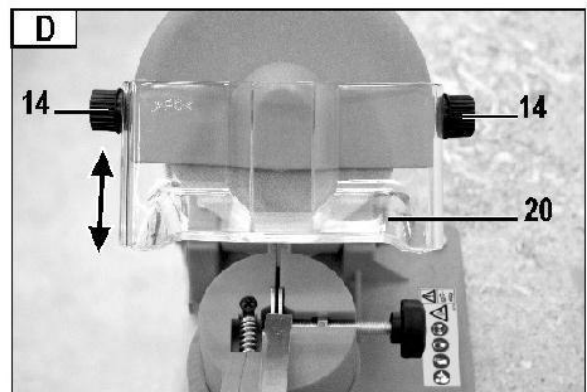
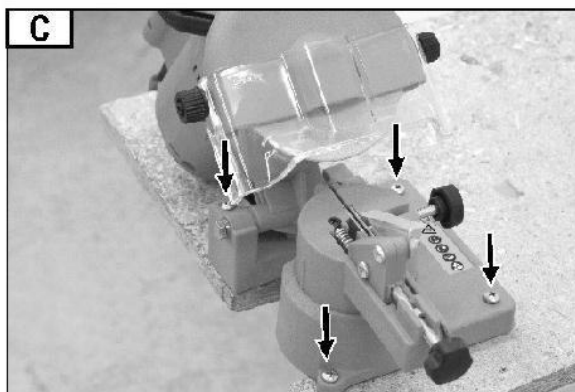
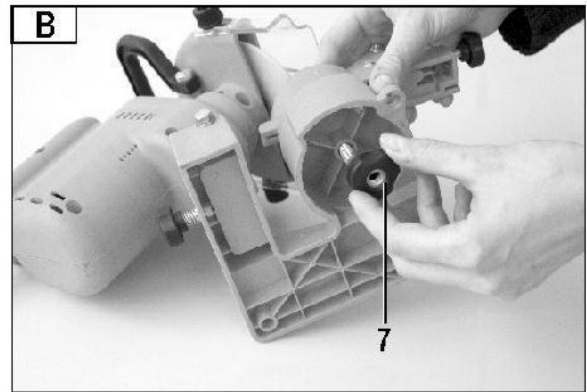
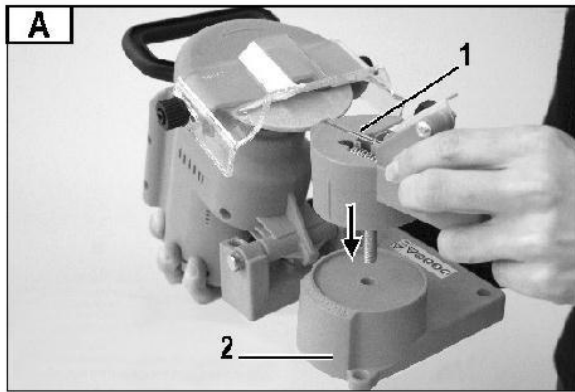
VL6000

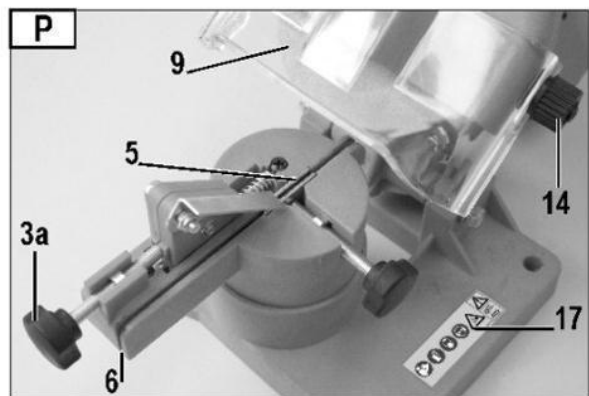
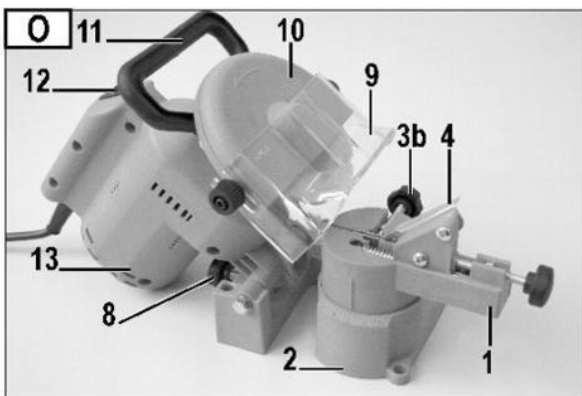
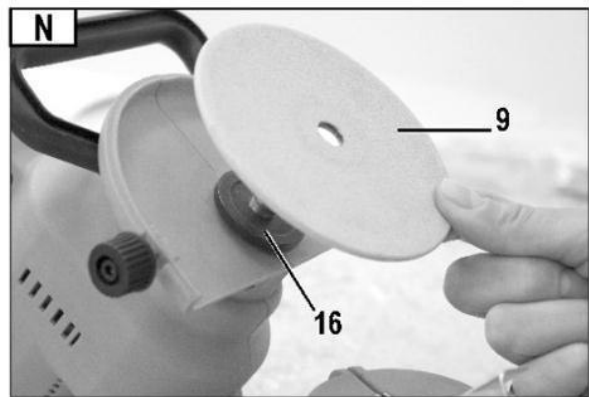
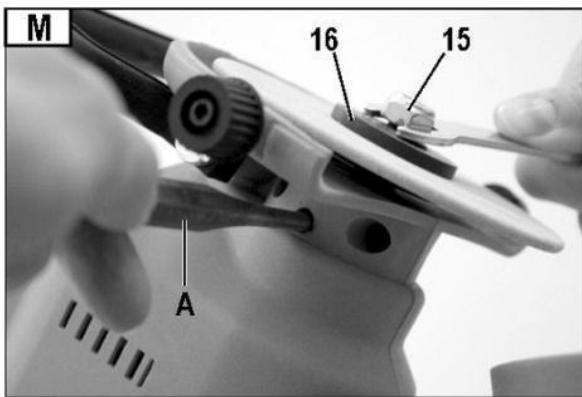
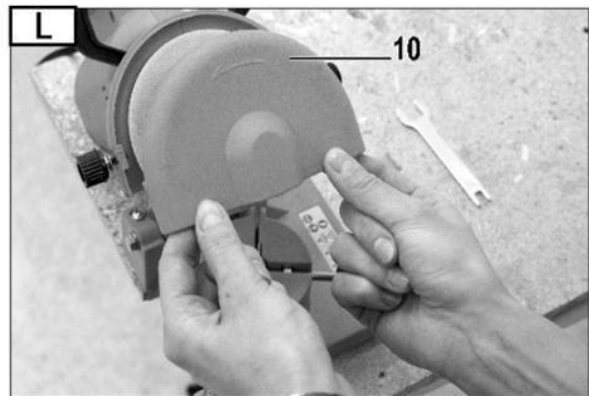
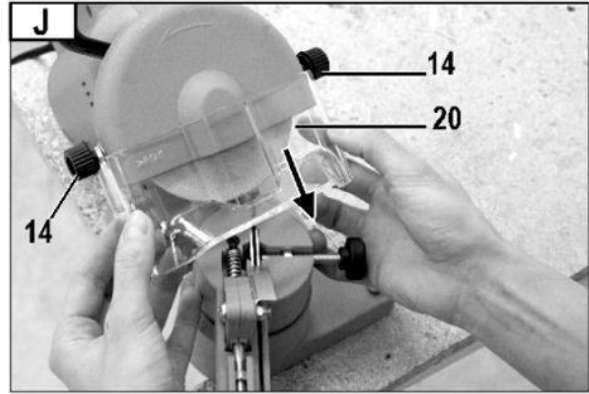
EN	CHAINSAW SHARPENER - 220 W
NL	KETTINGSLIJPER - 220 W
FR	AFFÛTEUR DE CHAÎNE - 220 W
ES	AFILADOR DE CADENAS - 220 W
DE	SÄGEKETTENSCHÄRFGERÄT - 220 W
PT	AFIADOR DE SERRAS - 220 W



USER MANUAL	4
GEBRUIKERSHANDLEIDING	12
MODE D'EMPLOI	20
MANUAL DEL USUARIO	28
BEDIENUNGSANLEITUNG	36
MANUAL DO UTILIZADOR	44







USER MANUAL

1. Introduction

To all residents of the European Union

Important environmental information about this product



This symbol on the device or the package indicates that disposal of the device after its lifecycle could harm the environment. Do not dispose of the unit (or batteries) as unsorted municipal waste; it should be taken to a specialized company for recycling. This device should be returned to your distributor or to a local recycling service. Respect the local environmental rules.

■ If in doubt, contact your local waste disposal authorities.

Thank you for choosing Toolland. Please read the manual thoroughly before bringing this device into service. If the device was damaged in transit, do not install or use it and contact your dealer.

2. Proper Use

- The chain sharpener is only intended to be used in the DIY and craft area. In the standard version with mounted wheel (100 x 3.2 x 10 mm, 63 m/s), the chain sharpener is only intended to sharpen chains used in hobby applications (6.35 mm (1/4"), 9.52 mm (3/8") hobby and 8.255 (0.325") chains). An optional grinding wheel (100 x 4.5 x 10 mm) is available for professional cutting chains.
- The device may not be used to sharpen other objects. Otherwise, there is a risk of injury.
- Only use grinding wheels suitable for the machine.
- Only chains may be worked that can be put down and guided securely.
- The intended usage also includes compliance with the operating, servicing and repair conditions prescribed by the manufacturer and following the safety instructions.
- The relevant accident prevention regulations for the operation as well as the other generally acknowledged occupational medicine and safety rules must be complied with.
- Any other use other as described in this manual is deemed inappropriate. The manufacturer is not liable for any type of damage resulting from this: the user bears the sole risk.
- Arbitrary modifications of the chain sharpener void the liability of the manufacturer for damages of all kinds resulting from them.
- Only persons familiar with the chain sharpener and instructed about possible risks are allowed to prepare, operate and service this device. Repair work may only be performed by an authorized service agency.
- The machine may not be used in a potentially explosive environment or be exposed to rain.

3. Residual Risks

Residual risks can exist even if the relevant safety regulations are complied with due to the design determined by the intended purpose.

Residual risks can be minimised if the safety information and the intended usage, as well as the whole of the operating instructions are observed.

Observing these instructions and taking proper care will reduce the risk of personal injury or damage of the equipment.

- Risk of injury to fingers and hands by touching the running grinding wheel.
- Risk of injury to fingers and hands by touching the grinding wheel in areas not covered.
- Risk of injury by flying sparks.
- Inhalation of grinding dust.
- Danger resulting from electric current if improper connecting wires are used.
- Touching live parts of opened electrical components.
- Impairment of hearing when working on the machine for longer periods of time without ear protection.

In addition, in spite of all the precautionary measures taken, non-obvious residual risks can still exist.

4. Safety Instructions



Chain sharpeners can be dangerous when used improperly. The use of electrical tools requires the observation of basic safety precautions to eliminate risk of fire, electrical shock and personal injuries.



Before commissioning this product, read and keep to the following advice. Also, observe the preventive regulations of your professional association and the safety provisions applicable in the respective country in order to protect yourself and others from possible injury.



Pass the safety instructions on to all persons who work with the machine.



Keep these safety instructions in a safe place.

- Make yourself familiar with the equipment before using it by reading and understanding the operating instructions.
- Do not use the machine for unsuitable purposes.
- Mount the machine on a non-skid and level ground.
- Avoid abnormal posture. Ensure that you have stand in a secure standing position and maintain your balance at all times.
- Be attentive and be careful what you do. Behave sensibly when working. Do not use the device when you are tired or under influence of drugs or alcohol. One moment of carelessness when using the device can result in injuries.
- Wear suitable work clothes.
 - Do not wear loose-fitting clothes or jewellery, which can be caught in moving parts.
 - Wear gloves and slip-proof shoes.
 - Wear a hairnet if you have long hair.
- Wear protective clothing such as
 - safety goggles,
 - ear protection,
 - a dust mask.
- Keep your workplace in an orderly condition. Untidiness can result in accidents.
- Take environmental influences into consideration:
 - Do not use the device in a moist or wet environment.
 - Do not expose the chain sharpener to rain.
 - Do only work with sufficient visibility conditions. Provide for good illumination.
- Never leave an operational device unattended.
- Persons under the age of 18 must not operate the device.
- Do not allow other persons, especially children, to touch the device or cable. Keep them away from your working area.
- Do not overload the device. You work better and safer in the given performance range.
- Only operate the device with complete and correctly attached safety equipment and do not alter anything on the device that could impair the safety.
- Do not use any grinding wheels, which do not comply with the indicated characteristics of this instruction manual.
- The use of other tools and other accessories may present a risk of injury to you.
- Worn and defective grinding wheels (cracks, imbalance, chipping, etc.) must be replaced immediately.
- Ensure a firm seat of the grinding wheel.
- Switch the device off and remove the mains plug from the socket when
 - carrying out repair works,
 - maintaining and cleaning the device,
 - eliminating failures such as freeing a blocked grinding wheel,
 - storing the device,
 - leaving the chain sharpener, even for short-term interruptions.
- Caution: the grinding wheel runs after! Do not brake the grinding wheel by hand or using lateral pressure.
- Maintain your chain sharpener with care:
 - Keep the device free of oil and grease.
 - Follow the maintenance instructions and the instructions for tool exchange.
- Check the machine for possible damage:
 - Before continuing to use the machine, the protective devices must be inspected to ensure that they work perfectly and within their intended function.
 - Check whether the movable parts function perfectly and do not stick or whether the parts are damaged. All parts must be properly mounted and all conditions met to ensure the flawless operation of the chain sharpener.

- Unless otherwise indicated in the operating instructions, damaged safety devices and parts must be properly repaired or replaced by an unauthorised workshop (or by the manufacturer).
- Damaged or illegible safety warning labels should be replaced immediately.
- Do not allow any tool key be plugged in. before switching on, always check that wrenches and adjusting tools are removed.
- Store unused equipment in a dry, locked place out of the reach of children.

5. Electrical Safety

- Design of the connection cable according to IEC 60245 (H 07 RN-F) with a core-profile section of at least 1.5 mm³ for cable lengths up to 25 m.
- Long and thin connection lines result in a potential drop. The motor does not reach any longer its maximal power; the function of the devices is reduced.
- Plugs and coupler outlets on connection cables must be made of rubber, non-rigid PVC or other thermoplastic material of the same mechanical stability or to be covered with this material.
- The connector of the connection cable must be splash-proof.
- When running the connection line observe that it does not interfere, is not squeezed, bended and the plug connection does not get wet.
- Wind off the cable completely when using a cable drum.
- Do not use the cable for purposes for which it is not meant. Protect the cable against heat, oil and sharp edges. Do not use the cable to pull the plug from the socket.
- Protect yourself against electric shocks. Avoid touching earthed parts with your body (e.g. pipes, heating apparatus, cookers, fridges, etc.).
- Regularly check the extension cables and replace them if they are damaged.
- Do not use any defective connection cables.
- Do not set up any provisional electrical connections.
- Never bypass protective devices or deactivate them.



The electrical connection or repairs to electrical parts of the machine must be carried out by a certified electrician. Local regulations – especially regarding protective measures – must be observed.



Repairs to other parts of the machine must be carried out by the manufacturer.



Only use original spare parts, accessories and special accessory parts. Accidents can arise for the user through the use of other spare parts. Velleman nv is not liable for damage or injury resulting from such action.

6. Preparing for Commissioning



To achieve perfect function of the machine, follow the notes given in these instructions.

You must still do the following:

- Mount the rotary table.
- Set up the device securely.

6.1 Assembling the Rotary Table

1. **A** Place the rotary table (1) onto the supporting table (2).
2. **B** Thread the mounting nut (7) on the locking screw.

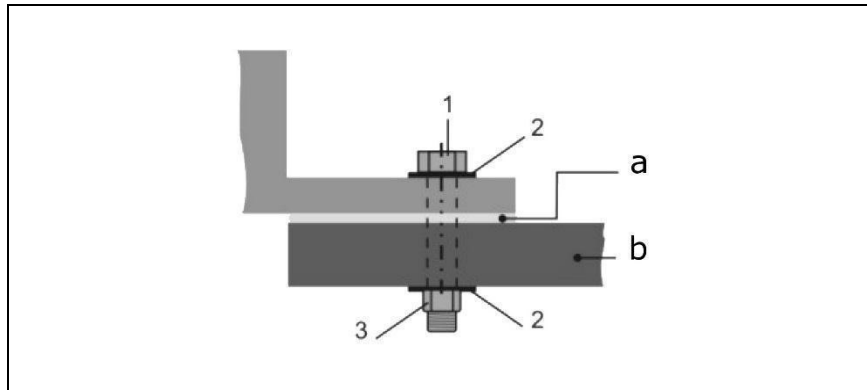
6.2 Mounting the Chain Sharpener on a Workbench

C For secure handling, the device must be mounted along the edge of a workbench or table (a). Use all three fixing points if possible. But make sure that the recess for the saw chain remains free and the locking nut remains accessible.

Hint: We recommend the additional placement of a rubber pad (b) to reduce noise and vibration (not included).

The small parts required for mounting are not included. Use the following for this purpose:

Position	Description
1	hexagonal screw M8
2	washer Ø 8 mm
3	hexagon nut M8, self-locking



Place the device at a location that meets the following conditions:

- Secured against slipping
- Free of vibrations
- Even
- Clean and dry
- Free of tripping hazards
- Adequate light

7. Commissioning

7.1 Mains Connection

Compare the voltage listed on the device type plate with the mains voltage and connect the chain sharpener to the corresponding and properly grounded socket.



Alternating current motor: Use a shockproof plug, mains voltage 230 V with residual current circuit breaker and 10 A inert fuses.

Use a connection cable or extension cable respectively with a cross section of at least 1.5 mm³.

7.2 Switching On



Do not use any device where the switch cannot be switched on and off. Damaged switches must be repaired or replaced immediately.



Press the on-off switch to I.

7.3 Switching Off



Press the on-off switch to O.

8. Working Instructions

8.1 Before Commencing Work

- Workplace tidied?
- Has the chain sharpener been permanently mounted on a workbench?
- You may not start to operate the machine until you have read these operating instructions, observed all the instructions given and installed the machine as described.

8.2 Working with the Chain Sharpener



The protective cover (20) must cover the grinding wheel as much as possible. For this, loosen the two screw caps (14) and adjust the protective cover appropriately.



Always keep your hands at a safe distance to the rotating grinding wheel.

- Use the factory-installed grinding wheel only to sharpen chains used in hobby applications.
- Do not use any damaged grinding wheels or such that have changed their shape.
- Start working only after the grinding wheel has reached its maximum speed.
- Only chains may be worked that can be put down and guided securely.

9. Working with the Chain Sharpener

9.1 Sharpening Chains

Before making any settings to the device:



- Switch off the device
- Wait for the shutdown of the grinding wheel
- Pull out the main plug

9.2 Grinding All Cutting Links

To grind the cutting edge of a cutting link, proceed as follows:

1. Setting the grinding angle: Loosen the locking nut (7) to turn the rotary plate approximately 30° and retighten the locking nut.



The cutting edges of the cutting links are normally ground at an angle between 30° and 35°.

2. Loosen the mounting screw (3b) and place the cutting chain in the guide rail (6) between the guide plates (5).
3. Fold the chain stop (4) down and pull the chain toward the back until the cutting link to rest against the stop.
4. Pull the grinding head (13) against the cutting link for exact alignment. Set the distance with the help of the mounting screw (3a) so that the grinding wheel touches the cutting link. In addition, adjust the grinding depth with the setting screw (8).
5. Tighten the mounting screw (3b) until the chain is fixed in place.
6. Carefully grind the cutting edge of the cutting link.



To avoid damages to the chain, grind as briefly as possible and do not remove more material than necessary.

7. Grind every second cutting edge by performing steps 5 and 6.

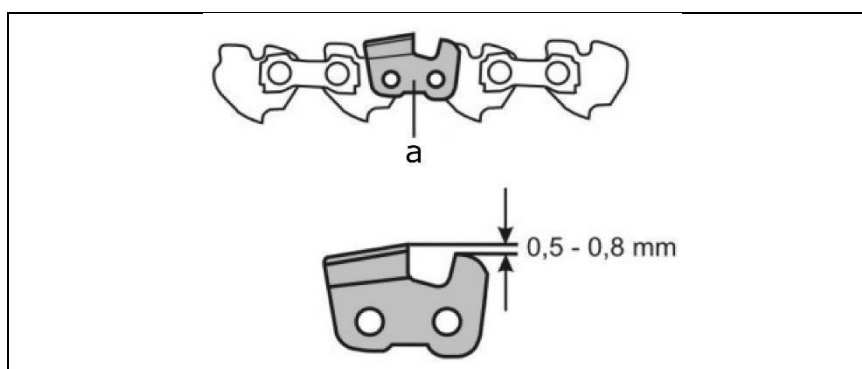


Mark the first cutting link with a chalk mark or the like. This will help you avoid grinding cutting links twice.

8. Turn the rotary table to 30° of the other side and grind the remaining cutting edges as described above.

9.3 Setting the Depth Limit Distance

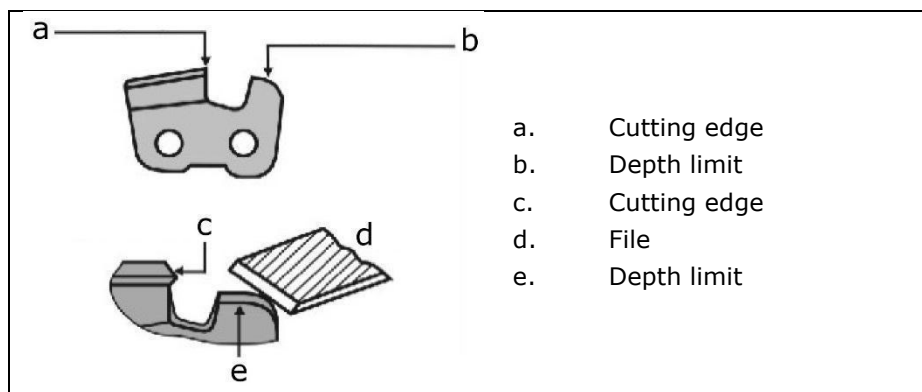
Once all cutting edges of the cutting links (a) have been sharpened, your chain will be sharp but may possible not cut. For this reason, a depth limit distance must always be observed (= the distance between depth limit and cutting edge). This is usually 0.5 to 0.8 mm.





A depth limit distance that is too great represents a risk of kickback. For this purpose you must check the distance according to the specifications of your chain and file it off with a file if necessary.

Be sure to chamfer the leading edge of your depth limiter. The original shape of the cutting link must be preserved.



- a. Cutting edge
- b. Depth limit
- c. Cutting edge
- d. File
- e. Depth limit

10. Overview

Refer to illustrations **O** and **P** on pages 2 and 3 of this manual.

1	Rotary table, complete
2	Supporting table
3	Mounting screw (with spring)
4	Chain stop
5	Guide plate
6	Guide rail
7	Locking nut
8	Setting screw (for grinding depth)
9	Grinding wheel (100 x 3.2 x 10 mm)
10	cover

11	Handle
12	On-off switch
13	Grinding head
14	Screw cap
15	Nut M8, self-locking
16	Flange
17	Safety label
18	1 pair of carbon brushes
19	Protective cover
20	nut

11. Maintenance and Care



Before each maintenance and cleaning work:

- Switch off the device
- Wait for the shutdown of the grinding wheel
- Pull out the main plug

11.1 Replacing the Grinding Wheel



- Do not use any damaged grinding wheels or such that have changed their shape.
- Do not use any grinding wheels which do not comply with the indicated characteristics of this instruction manual.

1. **J** Loosen the screw caps (14) and remove the protective cover (20).
2. **K**, **L** Loosen the nut (21) on both sides of the cover (10). Remove the cover.
3. To lock the grinding wheel, insert a screw driver or mandrel (Ø 4 mm) in the hole provided.
4. Loosen the nut (15).



Right-handed thread.

5. **M**, **N** Remove the nut, the front flange (16), the grinding wheel (9) and the rear flange (16).
6. Clean the flanges.
7. Reassembly is done in the opposite sequence.



For maintaining and cleaning, removed security devices must unconditionally be mounted properly and proved again. Use only original parts. Other parts can result in unexpected damages and injuries.

Note the following to keep your chain sharpener functioning:



- Clean and oil all moving parts regularly (except for the drive system).
- Remove dust and dirt with a cloth or brush.
- Clean the vent slots after each use.
- Clean the machine only dry.
- Do not use solvents for the synthetic parts (petrol, alcohol, etc.) as these can damage the synthetic parts.
- Never use any grease! Use environmentally-acceptable spray oil.

11.2 Storage



Pull out the main plug.

- Store unused equipment in a dry, locked place out of the reach of children.
- Thoroughly clean the device before extended storage.

12. Possible Faults



Before each fault clearance:

- Switch off the device
- Wait for the shutdown of the grinding wheel
- Pull out the main plug

Fault	Possible cause	Remedy
Chain sharpener does not operate	<ul style="list-style-type: none"> • No power • Extension cable defective • Main plug, motor switch defective 	<ul style="list-style-type: none"> • Check power supply, power socket and fuse protection • Check extension cable, exchange defective cable immediately • Have motor or switch checked by an approved electrician or replaced by original spare parts
Chain sharpener grinds with interruptions	<ul style="list-style-type: none"> • Extension cable defective • Internal fault • On-off switch defective 	<ul style="list-style-type: none"> • Check extension cable, exchange defective cable immediately • Please contact your official dealer • Please contact your official dealer
Grinding wheel becomes hot	<ul style="list-style-type: none"> • Grinding wheel is dull or defective 	<ul style="list-style-type: none"> • Replace the grinding wheel
Motor is humming, grinding wheel stops	<ul style="list-style-type: none"> • Grinding wheel is blocked 	<ul style="list-style-type: none"> • Remove object
Unusual vibrations	<ul style="list-style-type: none"> • Grinding wheel is defective 	<ul style="list-style-type: none"> • Replace grinding wheel

13. General Guidelines

Refer to the **Velleman® Service and Quality Warranty** on the last pages of this manual.

14. Features

- 5 cutting angles
- stone 100 x 10 x 4.5 mm (included)
- options (not included):
 - spare stone 100 x 10 x 3.2 mm (order n° **EHBE777**)
 - spare stone 100 x 10 x 4.5 mm (order n° **EHBE999**)

15. Technical Specifications

power supply	230 VAC, 50 Hz
power consumption	220 W
motor	7500 rpm

Use this device with original accessories only. Velleman nv cannot be held responsible in the event of damage or injury resulting from (incorrect) use of this device. For more info concerning this product and the latest version of this manual, please visit our website www.toolland.eu. The information in this manual is subject to change without prior notice.

© COPYRIGHT NOTICE

The copyright to this manual is owned by Velleman nv. All worldwide rights reserved. No part of this manual may be copied, reproduced, translated or reduced to any electronic medium or otherwise without the prior written consent of the copyright holder.

GEBRUIKERSHANDLEIDING

1. Inleiding

Aan alle ingezetenen van de Europese Unie

Belangrijke milieu-informatie betreffende dit product



Dit symbool op het toestel of de verpakking geeft aan dat, als het na zijn levenscyclus wordt weggeworpen, dit toestel schade kan toebrengen aan het milieu. Gooi dit toestel (en eventuele batterijen) niet bij het gewone huishoudelijke afval; het moet bij een gespecialiseerd bedrijf terechtkomen voor recyclage. U moet dit toestel naar uw dealer of naar een lokaal recyclagepunt brengen. Respecteer de plaatselijke milieuwetgeving.

Hebt u vragen, contacteer dan de plaatselijke autoriteiten betreffende de verwijdering.

Dank u voor uw aankoop. Lees deze handleiding grondig voor u het toestel in gebruik neemt. Werd het toestel beschadigd tijdens het transport, installeer het dan niet en raadpleeg uw dealer.

2. Beoogd gebruik

- De kettingslijper is uitsluitend bestemd voor DIY-toepassingen en handwerk. Gebruik de standaard ingebouwde slijpschijf (100 x 3.2 x 10 mm, 63 m/s) enkel voor het slijpen van hobbyzaagkettingen (6.35 mm (1/4"), 9,52 mm (3/8") hobby- en 8.255 mm (0.325") zaagkettingen). Optioneel is er een slijpschijf (100 x 4.5 x 10 mm) voor professionele zaagkettingen.
- Het toestel mag niet worden gebruikt voor het slijpen van andere voorwerpen. Anders bestaat er verwondingsgevaar.
- Gebruik enkel slijpschijven die geschikt zijn voor de machine.
- Er mogen alleen zaagkettingen worden bewerkt die veilig aangebracht en gevoerd kunnen worden.
- Tot het beoogde gebruik behoren ook het opvolgen van de gebruiks-, onderhouds- en reparatievoorschriften van de fabrikant en het naleven van de veiligheidsinstructies.
- Men moet zich tevens houden aan de algemeen geldende veiligheid- en gezondheidsvoorschriften en de aanvullende voorschriften van het bedrijf.
- Elk gebruik anders dan beschreven in deze handleiding geldt als niet-doelmatig. De fabrikant is niet aansprakelijk voor hieruit voortvloeiende schade. Het risico hiervoor ligt uitsluitend bij de gebruiker.
- Eigenmachtige wijzigingen aan de kettingslijper sluiten elke aansprakelijkheid van de fabrikant uit voor daaruit voortvloeiende schade uit.
- De kettingslijper mag enkel worden voorbereid, gebruikt en onderhouden door personen die vertrouwd zijn met het werktuig en de gevaren kennen. Reparaties mogen alleen door een erkende servicedienst worden uitgevoerd.
- Gebruik de machine niet in de nabijheid van brandbare vloeistoffen of gasen of in een vochtige omgeving.

3. Restrisico's

Ook als de geldende veiligheidsvoorschriften worden nageleefd, kunnen nog steeds risico's overblijven.

De restrisico's kunnen geminimaliseerd worden als de veiligheids- en gebruiksvoorschriften nauwkeurig in acht genomen worden.

Het naleven van deze instructies en voorzichtigheid verminderen het risico op letsels en beschadiging van het toestel.

- Verwondingsgevaar voor vingers en handen door het aanraken van de draaiende slijpschijf.
- Verwondingsgevaar voor vingers en handen door het aanraken van de slijpschijf aan niet afgedekte delen.
- Verwondingsgevaar door vonkenregen.
- Inademen van slijpstof.
- Gevaar door stroom door het niet correct aansluiten van de aansluitkabels.
- Het aanraken van componenten die onder spanning staan.
- Vermindering van het gehoor bij langdurig werken zonder gehoorbescherming.

Verder kunnen er ondanks alle genomen maatregelen niet zichtbare restrisico's bestaan.

4. Veiligheidsinstructies



Bij ondeskundig gebruik kunnen kettingslijpers gevaarlijk zijn. Bij het gebruik van elektrische werktuigen moeten de veiligheidsmaatregelen worden nageleefd om brandgevaar, elektrische schokken en letsels te voorkomen.



Lees de onderstaande instructies zorgvuldig door voordat u het toestel gebruikt om uzelf en anderen tegen eventuele letsels te beschermen of om schade aan het toestel te voorkomen.



Geef de veiligheidsinstructies door aan alle personen die met de machine werken.



Bewaar deze op een veilige plaats.

- Lees de gebruikshandleiding door en zorg ervoor dat u ze begrijpt, voor u het toestel in gebruik neemt.
- Gebruik de machine niet voor andere doeleinden.
- Monteer de machine op een slipvrij en effen oppervlak.
- Vermijd een abnormale lichaamshouding. Zorg voor een stabiele en gebalanceerde houding.
- Wees oplettend en let op wat u doet. Ga verstandig te werk. Gebruik het toestel niet, wanneer u moe bent of onder de invloed van drugs of alcohol bent. Een moment van onoplettendheid bij het gebruik van het toestel kan ernstige verwondingen veroorzaken.
- Draag geschikte werkkledij.
 - Draag geen wijde kledij of juwelen, deze kunnen verstrikt raken in de bewegende onderdelen.
 - Draag veiligheidshandschoenen en schoenen met antislipzool.
 - Draag een haarnet bij lang haar.
- Draag persoonlijke beschermingsmiddelen
 - veiligheidsbril,
 - gehoorbeschermer,
 - een stofmasker.
- Zorg ervoor dat uw werkomgeving op orde is. Wanorde kan ongevallen veroorzaken.
- Let op de omgevingsinvloeden:
 - Gebruik de machine niet in een vochtige of natte omgeving.
 - Stel de kettingslijper niet aan regen bloot.
 - Werk enkel bij voldoende zicht. Zorg voor voldoende omgevingslicht.
- Laat een ingeschakeld toestel nooit onbeheerd achter.
- Personen jonger dan 18 jaar mogen het toestel niet bedienen.
- Laat andere personen, in het bijzonder kinderen, het toestel of de kabel nooit aanraken. Houd ze weg van de werkplaats.
- Overbelast het toestel niet. U werkt beter en veiliger binnen het aangegeven vermogensbereik.
- Gebruik het toestel alleen wanneer de veiligheidsuitrusting correct is aangebracht. Verander niets aan de machine wat de veiligheid in gevaar kan brengen.
- Gebruik geen slijpschijven die niet aan de vermelde gegevens in deze handleiding beantwoorden.
- Het gebruik van andere werktuigen en andere toebehoren kan een verwondingsgevaar voor u betekenen.
- Versleten en defecte slijpschijven (scheuren, onbalans, afsplinteringen, enz.) moeten onmiddellijk vervangen worden.
- Let op een vaste bevestiging van de slijpschijf.
- Schakel de machine uit en trek stekker uit het stopcontact bij:
 - reparaties,
 - onderhoud en reiniging van het toestel,
 - verhelpen van storingen (bijv. het vrijmaken van een geblokkeerde slijpschijf),
 - opslag,
 - verlaten van de kettingslijper (ook bij korte onderbrekingen).
- Opgelet: de slijpschijf draait na! Rem de slijpschijf niet met de hand of door zijdelingse druk.
- Onderhoud de kettingslijper zorgvuldig:
 - Houd het toestel vrij van olie en vet.
 - Neem de onderhoudsvoorschriften en de instructies voor de werktuigwissel in acht.
- Onderzoek de machine op eventuele beschadigingen:
 - Controleer zorgvuldig voor u het gereedschap verder gebruikt of de beveiligingen in orde zijn en naar behoren functioneren.
 - Controleer of de werking van bewegende onderdelen in orde is, of ze niet klemmen, en of er onderdelen beschadigd zijn. Alle onderdelen moeten correct zijn gemonteerd en aan alle voorwaarden voldoen voor een juiste werking van de kettingslijper.

- Beschadigde beveiligingen en onderdelen moeten op deskundige wijze door een servicewerkplaats worden gerepareerd of vervangen, tenzij anders vermeld in de handleiding.
- Beschadigde of onleesbare veiligheidslabels moeten onmiddellijk vervangen worden.
- Laat geen sleutels steken. Controleer vóór het inschakelen altijd of de sleutels en instelgereedschappen verwijderd zijn.
- Bewaar ongebruikte toestellen op een droge, afgesloten plaats buiten het bereik van kinderen.

5. Elektrische veiligheid

- De aansluitkabel moet conform zijn volgens IEC 60245 (H 07 RN-F), met een doorsnede van minstens 1.5 mm² bij een lengte tot 25 m.
- Langere aansluitkabels veroorzaken een spanningsval. De motor bereikt zijn maximum vermogen niet meer; de functie van de toestellen is gereduceerd.
- Stekkers en aansluitdozen aan aansluitkabels moeten uit rubber, zacht pvc of een ander thermoplastisch materiaal van dezelfde mechanische vastheid zijn of met dit materiaal zijn gecoat.
- De connector van de aansluitkabel moet tegen spatwater beschermd zijn.
- Bij het verleggen van de aansluitkabel, zorg ervoor dat deze niet stoort, gekneusd, geknikt is en dat de steekverbinding niet nat wordt.
- Wikkel de kabel helemaal af bij het gebruik van een kabeltrommel.
- Gebruik de kabel niet voor andere doeleinden. Bescherm de kabel tegen hitte, olie en scherpe randen. Trek de stekker niet bij de kabel uit het stopcontact.
- Bescherm u tegen elektrische schokken. Vermijd het aanraken van gearde delen (bv. pijpen, radiatoren, haarden, koelkasten, enz.).
- Controleer de verlengkabels regelmatig en vervang deze als ze beschadigd zijn.
- Gebruik geen defecte kabels.
- Maak geen geknutselde elektrische aansluitingen.
- Veiligheidsvoorzieningen nooit overbruggen of uitschakelen.



Elektrische aansluitingen of reparaties mogen alleen door een erkend bedrijf of een erkende reparatiewerkplaats uitgevoerd worden. De plaatselijke voorschriften - vooral veiligheidsmaatregelen - moeten opgevolgd worden.



Reparaties aan andere delen van de machine mogen enkel door de fabrikant uitgevoerd worden.



Gebruik enkel originele onderdelen en toebehoren. Bij het gebruik van niet originele onderdelen kunnen risico's voor de gebruiker ontstaan. Velleman nv kan niet aansprakelijk gesteld worden voor ongevallen die hierdoor ontstaan.

6. Voorbereiding voor ingebruikname



Om de machine correct te laten functioneren, moet u de volgende instructies naleven.

Ga als volgt te werk:

- Monteer het draaibord.
- Bevestig het toestel op een veilige manier.

6.1 Het draaibord monteren

1. **A** Plaats het draaibord (1) op de oplegtafel (2).
2. **B** Schroef de bevestigingsmoer (7) op de borgmoer.

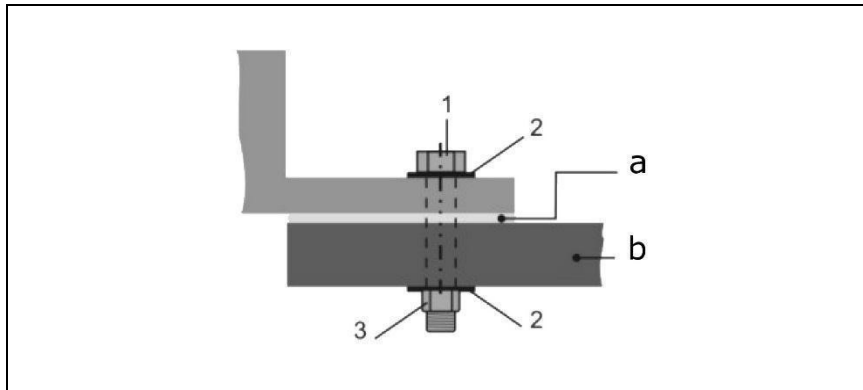
6.2 De kettingslijper op een werkbank monteren

C Voor een veilig gebruik moet het toestel bevestigd worden aan een hoek van een werkbank of een tafel (a). Indien mogelijk, gebruik de 3 bevestigingspunten. Maar zorg ervoor dat de uitsparing voor de zaagketting en de borgmoer toegankelijk is.

Tip: Plaats een extra rubberen plaatje (b) om het lawaai en de trillingen te verminderen (niet meegeleverd).

De kleine onderdelen die nodig zijn voor de montage, zijn niet meegeleverd. Gebruik:

Positie	Beschrijving
1	zeskantschroef M8
2	dichtingsring Ø 8 mm
3	zeskantmoer M8, zelfborgend



Plaats het toestel op een plaats die aan de volgende voorwaarden voldoet:

- Slipvrij
- Trillingvrij
- Vlak
- Proper en droog
- Vrij van gevaar
- Voldoende omgevingslicht

7. Ingebruikname

7.1 Netaansluiting

Vergelijk de spanning op het toestel met de netspanning en sluit de kettingslijper aan op een geaard stopcontact.



Wisselstroommotor: Gebruik een schokbestendige stekker met een netspanning van 230 V, een aardlekschakelaar en zekeringen van 10 A.

Gebruik een aansluit- of verlengkabel met een aderdoorsnede van minstens 1.5 mm³.

7.2 Inschakelen



Gebruik geen toestel dat niet kan worden in- en uitgeschakeld. Beschadigde schakelaars moeten onmiddellijk hersteld of vervangen worden.



Zet de aan/uit-schakelaar op "I".

7.3 Uitschakelen



Zet de aan/uit-schakelaar op "O".

8. Werkinstructies

8.1 Contoleer het volgende voor u het toestel gebruikt:

- Is de werkplek opgeruimd?
- Is de kettingslijper vast gemonteerd op een werkbank?
- U mag de machine niet gebruiken voordat u de handleiding hebt gelezen, alle voorschriften hebt nageleefd en de machine is gemonteerd zoals beschreven.

8.2 Werken met de kettingslijper



D De beschermkap (20) moet de slijpschijf zoveel mogelijk afdekken. Draai hiervoor de 2 schroefdoppen (14) los en stel de beschermkap overeenkomstig af.



Houd uw handen steeds op een veilige afstand van de draaiende slijpschijf.

- Gebruik de standaard ingebouwde slijpschijf enkel voor het slijpen van hobbyzaagkettingen.
- Gebruik geen beschadigde of vervormde slijpschijven.
- Begin pas, wanneer de slijpschijf het maximaal toerental heeft bereikt.
- Er mogen alleen zaagkettingen worden bewerkt die veilig aangebracht en gevoerd kunnen worden.

9. Werken met de kettingslijper

9.1 Kettingen slijpen

Voor het instellen van het toestel:



- Het toestel uitschakelen
- Wachten tot de slijpschijf tot stilstand is gekomen
- Trekker uit het stopcontact trekken

9.2 Slijpen van alle snijleden

Om het lemmet van de snijleden te slijpen, ga als volgt te werk:

1. Stel de slijphoek in: Draai de borgmoer (7) los om het draaibord ongeveer 30° te draaien en draai de borgmoer opnieuw vast.



De lemmets van de snijleden worden in een in een hoek van 30°-35° geslepen.

2. **E** Draai de bevestigingsschroef (3b) los en plaats de zaagketting in de geleidingsrail (6) tussen de geleidingsplaten (5).
3. **F** Klap de kettingaanslag (4) omlaag en trek de zaagketting zo ver naar achteren tot het te slijpen snijlid aan de aanslag aansluit.
4. **G** Trek de slijpkop (13) tegen het snijlid voor een exacte uitlijning. Stel de afstand in met de bevestigingsschroef (3a) zodat de slijpschijf het snijlid raakt. Regel ook de slijpdiepte met de stelschroef (8).
5. Draai de bevestigingsschroef (3b) aan tot de ketting is bevestigd.
6. Slijp voorzichtig het lemmet van het snijlid.



Om beschadigingen aan de zaagketting te voorkomen, slijp zo kort mogelijk en verwijder niet meer materiaal dan nodig.

7. Slijp iedere tweede lemmet door de stappen 5 en 6 te herhalen.

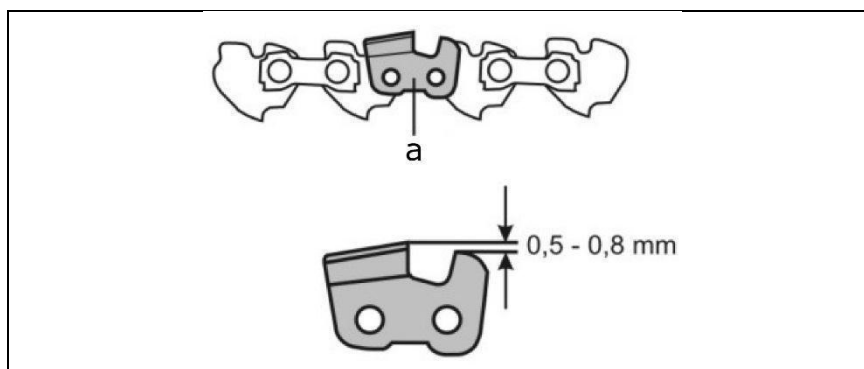


Markeer het eerste snijlid (bv. krijtstreep). Zo voorkomt u dat u snijleden dubbel slijpt.

8. **I** Draai het draaibord op 30° van de andere kant en slijp de overige lemmets zoals beschreven hierboven.

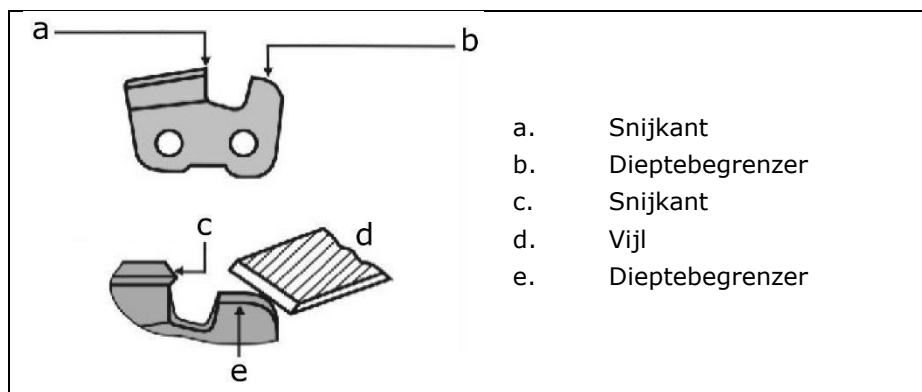
9.3 De afstand van de dieptebegrenzer instellen

Eenmaal de lemmets van de snijleden geslepen zijn, is uw zaagketting scherp, maar snijdt misschien niet. Daarom moet ook steeds een dieptebegrenzerafstand gebruikt worden (= afstand tussen dieptebegrenzer en snijkant). Deze bedraagt 0.5 tot 0.8 mm.





Een te grote dieptebegrenzerafstand verhoogt het gevaar van terugslag. Controleer daarom de afstand volgens de specificaties van de ketting. Indien nodig, met een vijl afvilen. Let erop dat u de voorkant van de dieptebegrenzer afrondt. De oorspronkelijke vorm van het snijlid moet behouden blijven.



- a. Snijkant
- b. Dieptebegrenzer
- c. Snijkant
- d. Vijl
- e. Dieptebegrenzer

10. Omschrijving

Raadpleeg de afbeeldingen **O** en **P** op pagina 2 en 3 van deze handleiding.

1	Draaibord, compleet
2	Oplegtafel
3	Bevestigingsschroef (met veer)
4	Kettingaanslag
5	Geleidingsplaat
6	Geleidingsrail
7	Borgmoer
8	Stelschroef (voor slijpdiepte)
9	Slijpschijf (100 x 3.2 x 10 mm)
10	Deksel

11	Handgreep
12	Aan/uit-schakelaar
13	Slijpkop
14	Schroefdop
15	Moer M8, zelfborgend
16	Flens
17	Veiligheidslabel
18	1 paar koolborstels
19	Beschermkap
20	Moer

11. Onderhoud en reiniging

Voor elk onderhoud en reiniging:



- Het toestel uitschakelen
- Wachten tot de slijpschijf tot stilstand is gekomen
- De stekker uit het stopcontact trekken

11.1 De slijpschijf vervangen



- Gebruik geen beschadigde of vervormde slijpschijven.
- Gebruik geen slijpschijven die niet aan de vermelde gegevens in deze handleiding beantwoorden.

1. **J** Draai de schroefdoppen (14) los en verwijder de beschermkap (20).
2. **K**, **L** Draai de moer (21) aan weerszijden van het deksel (10) los. Verwijder het deksel.
3. Om de slijpschijf te vergrendelen, plaats een schroevendraaier of spil (\varnothing 4 mm) in de opening.
4. Draai de moer (15) los.



Rechtse schroefdraad.

5. **M**, **N** Verwijder de moer, de voorste flens (16), de slijpschijf (9) en de achterste flens (16).
6. Reinig de flenzen.
7. De montage gebeurt in omgekeerde volgorde.



De voor onderhoud en reiniging verwijderde veiligheidsvoorzieningen moeten opnieuw correct aangebracht en gecontroleerd worden. Gebruik alleen originele onderdelen. Andere onderdelen kunnen leiden tot onverwachte schade en verwondingen.

Houd rekening met het volgende voor een correcte werking van de kettingslijper:



- Reinig en smeer alle bewegende onderdelen regelmatig in met olie (behalve het aandrijvingsysteem).
- Verwijder stof en vuil met een doek of kwast.
- Reinig de ventilatieopeningen na ieder gebruik.
- De machine alleen droog reinigen.
- Gebruik voor kunststofdelen geen oplosmiddelen (benzine, alcohol, enz.), deze kunnen de kunststofdelen beschadigen.
- Nooit vet gebruiken! Gebruik milieuvriendelijke olie.

11.2 Opslag



Trek de stekker uit het stopcontact.

- Bewaar ongebruikte toestellen op een droge, afgesloten plaats buiten het bereik van kinderen.
- Reinig het toestel grondig voor een langdurige opslag.

12. Storingen



Voor het verhelpen van iedere storing:

- Het toestel uitschakelen
- Wachten tot de slijpschijf tot stilstand is gekomen
- De stekker uit het stopcontact trekken

Storing	Mogelijke oorzaak	Oplossing
Kettingslijper functioneert niet	<ul style="list-style-type: none"> • Geen stroom • Verlengkabel defect • Netstekker, motor of schakelaar defect 	<ul style="list-style-type: none"> • Voeding, stopcontact en zekering controleren • Verlengkabel controleren, defecte kabel onmiddellijk vervangen • Motor of schakelaar door een servicewerkplaats laten repareren of met originele onderdelen laten vervangen
Kettingslijper slijpt met onderbrekingen	<ul style="list-style-type: none"> • Verlengkabel defect • Interne storing • Aan/uit-schakelaar defect 	<ul style="list-style-type: none"> • Verlengkabel controleren, defecte kabel onmiddellijk vervangen • Gelieve uw dealer te contacteren • Gelieve uw dealer te contacteren
Slijpschijf wordt heet	<ul style="list-style-type: none"> • Slijpschijf is stomp of defect 	<ul style="list-style-type: none"> • Slijpschijf vervangen
Motor bromt, slijpschijf stopt	<ul style="list-style-type: none"> • Slijpschijf blokkeert 	<ul style="list-style-type: none"> • Voorwerp verwijderen
Ongewone trillingen	<ul style="list-style-type: none"> • Slijpschijf is defect 	<ul style="list-style-type: none"> • Slijpschijf vervangen

13. Algemene richtlijnen

Raadpleeg de **Velleman® service- en kwaliteitsgarantie** achteraan deze handleiding.

14. Eigenschappen

- 5 snijhoeken
- steen 100 x 10 x 4.5 mm (meegeleverd)
- optioneel (niet meegeleverd):
 - reservesteen 100 x 10 x 3.2 mm (artikelcode **EHBE777**)
 - reservesteen 100 x 10 x 4.5 mm (artikelcode **EHBE999**)

15. Technische specificaties

voeding	230 VAC, 50 Hz
verbruik	220 W
motor	7500 rpm

Gebruik dit toestel enkel met originele accessoires. Velleman nv is niet aansprakelijk voor schade of kwetsuren bij (verkeerd) gebruik van dit toestel. Voor meer informatie over dit product en de laatste versie van deze handleiding, zie www.toolland.eu. De informatie in deze handleiding kan te allen tijde worden gewijzigd zonder voorafgaande kennisgeving.

© AUTEURSRECHT

Velleman nv heeft het auteursrecht voor deze handleiding. Alle wereldwijde rechten voorbehouden. Het is niet toegestaan om deze handleiding of gedeelten ervan over te nemen, te kopiëren, te vertalen, te bewerken en op te slaan op een elektronisch medium zonder voorafgaande schriftelijke toestemming van de rechthebbende.

MODE D'EMPLOI

1. Introduction

Aux résidents de l'Union européenne

Informations environnementales importantes concernant ce produit



Ce symbole sur l'appareil ou l'emballage indique que l'élimination d'un appareil en fin de vie peut polluer l'environnement. Ne pas jeter un appareil électrique ou électronique (et des piles éventuelles) parmi les déchets municipaux non sujets au tri sélectif ; une déchetterie traitera l'appareil en question. Renvoyer l'appareil à votre fournisseur ou à un service de recyclage local. Il convient de respecter la réglementation locale relative à la protection de l'environnement.

En cas de questions, contacter les autorités locales pour élimination.

Nous vous remercions de votre achat. Lire attentivement le présent mode d'emploi avant la mise en service de l'appareil. Si l'appareil a été endommagé pendant le transport, ne pas l'installer et consulter votre revendeur.

2. Utilisation conforme

- L'affûteuse de chaîne est destinée uniquement aux applications de bricolage et d'artisanat. La meule d'affûtage montée en usine (100 x 3.2 x 10 mm, 63 m/s) est destinée uniquement pour affûter les chaînes de tronçonneuses de bricolage (6.35 mm (1/4"), 9.52 mm (3/8") et les chaînes de tronçonneuses 8.255 mm (0.325")). Une meule d'affûtage optionnelle (100 x 4.5 x 10 mm) est disponible pour les chaînes de tronçonneuses professionnelles.
- Ne pas utiliser l'appareil pour affûter d'autres objets. Dans le cas contraire, cela risque de provoquer des blessures.
- Utiliser uniquement les meules d'affûtage adaptées à la machine.
- N'affûter que les chaînes dont le positionnement et le guidage peuvent se faire sans danger.
- Un usage prévu implique également l'observation des instructions de service, de maintenance et de réparation du fabricant et le respect des consignes de sécurité.
- Les consignes de sécurité et de prévention d'accidents applicables ainsi que la réglementation en matière de médecine et de sécurité au travail doivent être observées.
- Toute autre utilisation est considérée comme non conforme. Le fabricant décline toute responsabilité pour les dommages causés par une utilisation non-adéquate : le risque incombe exclusivement à l'utilisateur.
- Le fabricant décline toute responsabilité en cas de dommages causés par une modification non conforme de l'affûteuse de chaîne.
- L'affûteuse de chaîne doit être ajustée, utilisée et entretenue uniquement par des personnes familiarisées avec la machine et les risques éventuels. Les réparations doivent être effectuées uniquement par un centre de services agréé.
- Ne pas utiliser la machine dans un environnement explosif et ne pas l'exposer à la pluie.

3. Risques résiduels

Même un emploi conforme à l'usage prévu et le respect des consignes de sécurité applicables ne sauraient exclure tous les risques résiduels générés par la construction et l'emploi de la machine.

Les risques résiduels sont minimisés en respectant les consignes de sécurité et les instructions de service.

Le respect de ces instructions et la prudence réduisent les risques de blessures et d'endommagements.

- Risque de blessures au niveau des doigts et des mains en cas de contact avec la meule d'affûtage en rotation.
- Risque de blessures au niveau des doigts et des mains en cas de contact avec les zones non protégées de la meule d'affûtage.
- Risque de blessures dues aux étincelles projetées.
- Inhalation de la poussière d'affûtage.
- Risque dû au courant en cas d'utilisation de câbles de raccordement non conformes.
- Contact avec des pièces sous tension de composants électriques ouverts.
- Endommagement de l'ouïe en cas d'un usage prolongé sans protection acoustique.

Il se pourrait donc que des risques résiduels non apparents persistent, bien que toutes les mesures de protection aient été prises.

4. Consignes de sécurité



Les affûteuses de chaînes peuvent s'avérer dangereuses. Les dispositions de sécurité relatives à l'utilisation d'outils électriques doivent être respectées impérativement afin d'éviter tout risque d'incendie, de décharge électrique et de blessures corporelles.



Avant toute mise en service, lire et respecter les indications suivantes. Observer les règlements de prévention d'accidents de travail, particulièrement les règlements de sécurité en vigueur dans les pays respectifs afin d'éviter tout risque d'accident possible.



Remettre les consignes de sécurité à toute personne travaillant avec la machine.



Conserver ces consignes de sécurité avec soin.

- Avant l'utilisation, lire et comprendre le mode d'emploi pour se familiariser avec l'appareil.
- Ne pas utiliser l'appareil à des fins non appropriées.
- Monter la machine sur une surface plane et antidérapante.
- Eviter les postures anormales. Prendre une position sûre et préserver l'équilibre à tout moment.
- Être attentif et veiller à ce que vous faites. Travailler de façon raisonnable. Ne pas utiliser l'appareil si vous êtes fatigué ou sous l'emprise de drogues ou d'alcool. Un moment d'inattention pendant l'utilisation de l'appareil peut provoquer de graves blessures.
- Porter des vêtements de protection appropriés.
 - Ne pas porter d'habits larges ou de bijoux que la machine pourrait entraîner.
 - Porter des gants de protection et des chaussures antidérapantes.
 - Mettre un filet pour les cheveux s'ils sont longs.
- Porter des vêtements de protection personnels
 - lunettes de protection,
 - protection acoustique,
 - masque respiratoire.
- Veiller à maintenir la zone de travail en ordre. Le désordre peut causer des accidents.
- Prendre les conditions environnantes en considération :
 - Ne pas utiliser la machine dans un environnement humide.
 - Ne pas exposer l'affûteuse de chaîne à la pluie.
 - Ne travailler qu'avec une vue suffisante. Veiller au bon éclairage de la zone de travail.
- Ne jamais laisser la machine sans surveillance.
- Les personnes de moins de 18 ans ne peuvent pas utiliser l'appareil.
- Ne pas laisser toute autre personne, particulièrement les enfants toucher l'appareil ou le câble. Tenir loin de la zone de travail.
- Ne pas surcharger l'appareil. L'appareil fonctionnera mieux et plus sûr dans la plage indiquée.
- Veiller au montage complet et correct des équipements de sécurité pendant l'usage et ne pas apporter des modifications à la machine qui pourraient nuire à la sécurité.
- Ne pas utiliser de meules d'affûtage qui ne correspondent pas aux caractéristiques indiquées dans ce mode d'emploi.
- L'utilisation d'autres appareils et d'autres accessoires peut impliquer un risque de blessure.
- Les meules d'affûtage usées et défectueuses (fissures, balourd, morcellement, etc.) doivent être remplacées immédiatement.
- Veiller à ce que la meule d'affûtage soit fixée de manière stable.
- Débrancher et déconnecter l'appareil du réseau en cas de
 - travaux de réparation,
 - travaux de maintenance et de nettoyage,
 - dépannage (p. ex. le déblocage d'une meule d'affûtage bloquée),
 - stockage,
 - abandon de l'affûteuse de chaîne (même en cas d'interruptions de courte durée)
- Attention : la meule d'affûtage continue de fonctionner ! Ne pas freiner la meule d'affûtage à la main ou en effectuant une pression latérale.
- Entretien l'affûteuse de chaîne avec soin :
 - Ne pas huiler ni graisser l'appareil.
 - Respecter les instructions d'entretien et les indications relatives au remplacement d'outils.

- Contrôler les endommagements éventuels.
 - Contrôler le fonctionnement correct et conforme à l'usage prévu des dispositifs de sécurité avant de poursuivre l'utilisation de la machine.
 - Vérifier le fonctionnement correct des pièces mobiles et s'assurer qu'elles ne sont ni coincées ni partiellement endommagées. Les pièces doivent être montées correctement et les conditions doivent être remplies afin de garantir le fonctionnement correct de l'affûteuse de chaîne.
 - Sauf indication contraire, les dispositifs de protection et les composants endommagés doivent être réparés ou remplacés correctement par un atelier spécialisé (ou par le fabricant).
 - Les autocollants de sécurité endommagés ou illisibles doivent être remplacés.
- Ne pas laisser branchée aucune clé de l'appareil. Avant la mise en service, toujours vérifier que les clés et les autres outils de réglage sont enlevés de la machine.
- Conserver les outillages non utilisés dans un endroit sec, verrouillé et hors de la portée des enfants.

5. Sécurité électrique

- Exécution du câble de raccordement conforme IEC 60245 (H 07 RN-F) avec une section d'au moins 1.5 mm³ pour les câbles d'une longueur jusqu'à 25 m.
- Les câbles longs et minces provoquent une chute de tension. Le moteur n'atteint plus sa puissance maximum ; réduisant ainsi le fonctionnement de l'équipement.
- Les fiches et prises de rallonge doivent être en caoutchouc, PVC souple ou autre matière thermoplastique d'une résistance mécanique identique, ou revêtues de ce matériau.
- Le connecteur du câble de raccordement doit être résistant aux éclaboussures.
- Pour la pose du câble de raccordement, veiller à ce qu'il ne gêne pas, qu'il ne soit pas écrasé ni plié, et que le connecteur ne soit pas en contact avec de l'eau.
- En cas d'utilisation d'un tambour, dérouler le câble complètement.
- Ne pas utiliser le câble à d'autres fins que celles prévues. Protéger le câble contre la chaleur, l'huile et les arêtes vives. Ne pas tirer sur le câble pour retirer la fiche de la prise au secteur.
- Se protéger contre les risques d'électrocutions. Éviter le contact avec des éléments connectés à la terre (p.ex. tuyaux, radiateurs, fours, réfrigérateurs.).
- Vérifier régulièrement les câbles de raccordement et remplacer s'ils sont endommagés.
- Ne jamais utiliser de câbles de raccordement défectueux.
- Ne jamais utiliser de connexions électriques provisoires ou rafistolées.
- Ne jamais ponter les équipements de sécurité et ne jamais les désactiver.



La connexion électrique ou les réparations de composants électriques doivent être effectuées par un électricien qualifié. La réglementation locale - plus particulièrement en ce qui concerne les mesures de protection - doit être observée.



Les réparations d'autres composants de la machines doivent être effectuées par le fabricant.



N'utiliser que des pièces de rechange et des accessoires d'origine. L'utilisation d'autres pièces détachées et d'autres accessoires pourrait entraîner un risque d'accident. La SA Velleman décline toute responsabilité pour les dommages en résultant.

6. Préparation à la mise en service



Suivre les instructions pour un fonctionnement correct de la machine.

Procéder comme suit :

- Monter le plateau tournant.
- Installer l'appareil de manière stable.

6.1 Monter le plateau tournant

1. **A** Placer le plateau tournant (1) sur la table de support (2).
2. **B** Visser l'écrou de verrouillage (7) sur la vis de blocage.

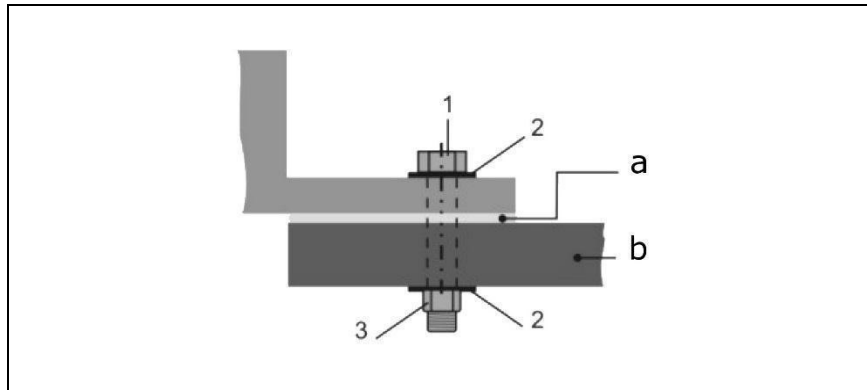
6.2 Monter l'affûteuse de chaîne sur un établi

C L'appareil doit être solidement au coin d'un établi ou d'une table afin de garantir une manipulation sûre. Si possible, utiliser les 3 points de fixation. Mais veiller à ce que les orifices pour la tronçonneuse et l'écrou de blocage restent accessibles.

Conseil : Afin de réduire le bruit et les vibrations, il est conseillé d'utiliser une plaque de caoutchouc (b).

Les petites pièces nécessaires pour le montage ne sont pas fournies. Utiliser :

Position	Description
1	vis hexagonale M8
2	rondelle Ø 8 mm
3	écrou hexagonal M8, autobloquant



Placer l'appareil à un endroit respectant les conditions suivantes :

- Antidérapant
- Exempt de vibrations
- Plan
- Propre et sec
- Aucun risque de trébuchement
- Suffisamment éclairé

7. Mise en service

7.1 Connexion au secteur

Comparer la tension indiquée sur l'appareil avec la tension du réseau et brancher l'affûteuse de chaîne sur la prise appropriée et reliée à la terre.



Moteur à courant alternatif : Utiliser une prise à contact de protection, tension de secteur 230 V avec disjoncteur à courant résiduel et des fusibles inertes de 10 A.

Utiliser un câble de raccordement ou un rallonge avec une section d'au moins de 1.5 mm³.

7.2 Allumer



Ne jamais utiliser un appareil dont l'interrupteur ne fonctionne pas. Les interrupteurs endommagés doivent être réparés ou remplacés immédiatement.



Mettre l'interrupteur on-off sur "I".

7.3 Eteindre



Mettre l'interrupteur on-off sur "O".

8. Consignes de service

8.1 Avant de commencer, contrôler si

- Le poste de travail est bien ordonné?
- L'affûteuse de chaîne est montée de manière stable sur un établi ?
- Ne jamais mettre la machine en service avant d'avoir lu le mode d'emploi, d'observer les instructions indiquées et d'avoir installé la machine comme décrit.

8.2 Travailler avec l'affûteuse de chaîne



D Le couvercle de protection (20) doit couvrir la meule d'affûtage autant que possible. Pour cela, retirer les deux capuchons (14) des vis et régler le couvercle de protection de manière appropriée.



Toujours tenir les mains à une distance sûre de la meule d'affûtage en rotation.

- Utiliser la meule d'affûtage montée en usine pour affûter les chaînes de tronçonneuses de bricolage.
- Ne pas utiliser de meules d'affûtage défectueuses ou déformées.
- Ne travailler qu'une fois que la meule d'affûtage a atteint la vitesse maximum.
- N'affûter que les chaînes dont le positionnement et le guidage peuvent se faire sans danger.

9. Travailler avec l'affûteuse de chaîne

9.1 Affûter des chaînes



Avant de régler l'appareil :

- Eteindre l'appareil
- Attendre jusqu'à ce que la meule d'affûtage s'arrête complètement
- Débrancher la prise

9.2 Affûter tous les maillons coupants

Pour affûter une dent des maillons coupants, procéder comme suit :

1. Régler l'angle d'affûtage : Desserrer l'écrou de verrouillage (7) pour faire pivoter le plateau tournant à env. 30° et resserrer l'écrou de verrouillage.



Les dents des maillons coupants sont normalement affûtées à un angle situé entre 30 et 35°.

2. **E** Desserrer la vis de fixation (3b) et placer la chaîne dans le rail de guidage (6) entre les plaques de guidage (5).
3. **F** Rabattre la butée (4) vers le bas et tirer la chaîne vers l'arrière jusqu'à ce que le maillon coupant à affûter soit en contact avec la butée.
4. **G** Serrer la tête d'affûtage (13) contre le maillon coupant, afin de garantir un alignement exact. Régler la distance avec la vis de fixation (3a) de façon à ce que la meule d'affûtage soit en contact avec le maillon coupant. Régler également la profondeur d'affûtage à l'aide de la vis de réglage (8).
5. Serrer la vis de fixation (3b) jusqu'à ce que la chaîne soit fixée.
6. Affûter avec précaution la dent du maillon coupant.



Afin d'éviter toute détérioration de la chaîne, affûter le plus brièvement possible et uniquement la quantité nécessaire.

7. Affûter une dent sur deux en exécutant les étapes 5 et 6.

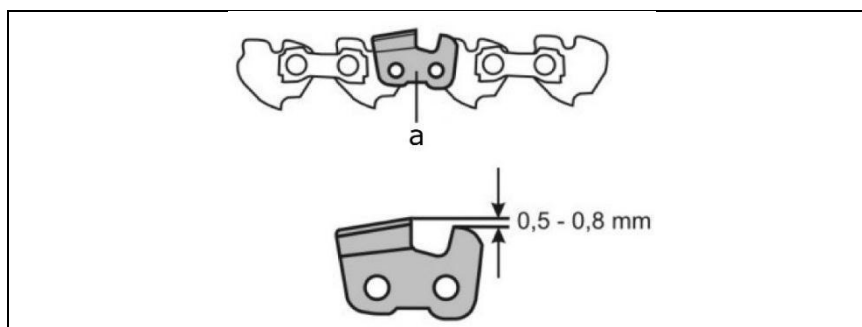


Marquer le premier maillon coupant (p. ex. par un trait à la craie). Vous éviterez ainsi d'affûter une deuxième fois les maillons coupants.

8. **I** Faire pivoter le plateau tournant à 30° de l'autre côté et affûter les dents restantes comme décrit ci-dessus.

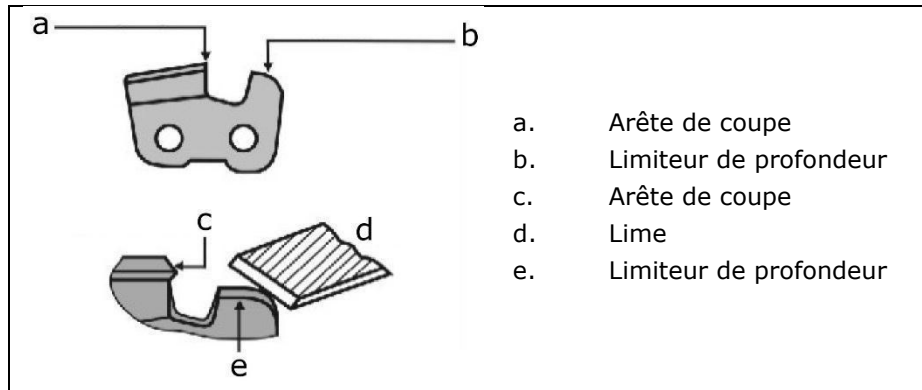
9.3 Régler l'intervalle limiteur de profondeur

Une fois que toutes les dents des maillons coupants ont été affûtées, la chaîne est effectivement affûtée, mais il est probable qu'elle ne coupe pas. Pour cette raison, un intervalle limiteur de profondeur (= intervalle entre le limiteur de profondeur et l'arête de coupe) doit être observé. Il est généralement compris entre 0.5 et 0.8 mm.





Un intervalle limiteur de profondeur trop élevé augmente le risque de retour lors de l'utilisation de la tronçonneuse. Contrôler l'intervalle conformément aux indications de la chaîne de la tronçonneuse et éventuellement l'aiguiser avec une lime. Veiller à arrondir l'arête avant du limiteur de profondeur. Conserver la forme d'origine du maillon coupant.



- a. Arête de coupe
- b. Limiteur de profondeur
- c. Arête de coupe
- d. Lime
- e. Limiteur de profondeur

10. Description

Se référer aux illustrations en pages 2 et 3 de ce mode d'emploi. **P** **O**

1	Plateau tournant
2	Table de support
3	Vis de fixation (avec ressort)
4	Butée
5	Plaque de guidage
6	Rail de guidage
7	Ecrou de verrouillage
8	Vis de réglage (pour profondeur d'affûtage)
9	Meule d'affûtage (100 x 3.2 x 10 mm)
10	couvercle

11	Poignée
12	Interrupteur on-off
13	Tête d'affûtage
14	Capuchon
15	Ecrou M8, autobloquant
16	Bride
17	Autocollant de sécurité
18	1 paire de balais de charbon
19	Couvercle de protection
20	écrou

11. Entretien et nettoyage

Avant tout entretien et nettoyage :



- Éteindre l'appareil
- Attendre jusqu'à ce que la meule d'affûtage s'arrête complètement
- Débrancher la prise

11.1 Remplacer la meule d'affûtage



- Ne pas utiliser de meules d'affûtage défectueuses ou déformées.
- Ne pas utiliser de meules d'affûtage qui ne correspondent pas aux caractéristiques indiquées dans ce mode d'emploi.

1. **J** Desserrer les capuchons (14) des vis et retirer le couvercle de protection (20).
2. **K**, **L** Desserrer l'écrou (21) des deux côtés du couvercle (10). Retirer le couvercle.
3. Pour bloquer la meule d'affûtage, placer un tournevis ou un mandrin (\varnothing 4 mm) dans le trou prévu.
4. Desserrer l'écrou (15).



Filet droit.

5. **M**, **N** Retirer l'écrou, la bride avant (16), la meule d'affûtage (9) et la bride arrière (16).
6. Nettoyer les brides.
7. Procéder dans l'ordre inverse pour le montage.



Les dispositifs de sécurité enlevés pour effectuer l'entretien et le nettoyage doivent être remontés et vérifiés. N'utiliser que des pièces d'origine. L'utilisation de toute autre pièce risque de provoquer des dommages et blessures imprévisibles.

Respecter les instructions suivantes afin de préserver les fonctionnalités de l'affûteuse de chaîne :



- Nettoyer et huiler régulièrement toutes les pièces mobiles (sauf le système d'entraînement).
- Enlever la poussière et la saleté avec un chiffon ou une brosse.
- Nettoyer les fentes d'aération après chaque utilisation.
- Nettoyer la machine à sec uniquement.
- Ne pas utiliser des solvants (essence, alcool etc.) pour le nettoyage des composants en plastique, ceux-ci peuvent endommager les composants en plastique.
- Ne jamais utiliser de graisse ! Utiliser une huile biodégradable.

11.2 Stockage



Débrancher la prise.

- Conserver les outillages non utilisés dans un endroit sec, verrouillé et hors de la portée des enfants.
- Nettoyer soigneusement l'appareil avant un stockage prolongé.

12. Défauts éventuels



Avant de procéder à l'élimination des défauts :

- Éteindre l'appareil
- Attendre jusqu'à ce que la meule d'affûtage s'arrête complètement
- Débrancher la prise

Défaut	Cause possible	Solution
L'affûteuse de chaîne ne fonctionne pas	<ul style="list-style-type: none"> • Pas de courant • Câble ou rallonge défectueux • La fiche de secteur, le moteur ou l'interrupteur sont défectueux 	<ul style="list-style-type: none"> • Vérifier l'alimentation électrique, la prise de courant et le fusible • Contrôler le rallonge, le remplacer immédiatement en cas d'endommagement • Demandez à un électricien qualifié de vérifier le moteur ou l'interrupteur ou de le réparer avec des pièces par des pièces d'origine
L'affûteuse de chaîne fonctionne avec des interruptions	<ul style="list-style-type: none"> • Câble ou rallonge défectueux • Défaut interne • Interrupteur défectueux 	<ul style="list-style-type: none"> • Contrôler le rallonge, le remplacer immédiatement en cas d'endommagement • Contacter le revendeur officiel • Contacter le revendeur officiel
La meule d'affûtage s'échauffe	<ul style="list-style-type: none"> • La meule d'affûtage est émoussée ou défectueuse 	<ul style="list-style-type: none"> • Remplacer la meule d'affûtage
Le moteur ronfle, la meule d'affûtage s'arrête	<ul style="list-style-type: none"> • La meule d'affûtage est bloquée 	<ul style="list-style-type: none"> • Enlever l'objet
Vibrations inhabituelles	<ul style="list-style-type: none"> • La meule d'affûtage est défectueuse 	<ul style="list-style-type: none"> • Remplacer la meule d'affûtage

13. Directives générales

Se référer à la **garantie de service et de qualité Velleman®** en fin de ce mode d'emploi.

14. Caractéristiques

- 5 angles de coupe
- pierre 100 x 10 x 4.5 mm (incl.)
- optionnel (non incl.) :
 - pierre de rechange 100 x 10 x 3.2 mm (réf. **EHBE777**)
 - pierre de rechange 100 x 10 x 4.5 mm (réf. **EHBE999**)

15. Spécifications techniques

alimentation	230 VCA, 50 Hz
consommation	220 W
moteur	7500 rpm

N'employer cet appareil qu'avec des accessoires d'origine. La SA Velleman ne peut, dans la mesure conforme au droit applicable être tenue responsable des dommages ou lésions (directs ou indirects) pouvant résulter de l'utilisation de cet appareil. Pour plus d'informations concernant cet article et la dernière version de ce mode d'emploi, visiter notre site web www.toolland.eu. Toutes les informations présentées dans ce mode d'emploi peuvent être modifiées sans notification préalable.

© DROITS D'AUTEUR

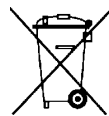
SA Velleman est l'ayant droit des droits d'auteur de ce mode d'emploi. Tous droits mondiaux réservés. Toute reproduction, traduction, copie ou diffusion, intégrale ou partielle, du contenu de ce mode d'emploi par quelque procédé ou sur tout support électronique que ce soit est interdite sans l'accord préalable écrit de l'ayant droit.

MANUAL DEL USUARIO

1. Introducción

A los ciudadanos de la Unión Europea

Importantes informaciones sobre el medio ambiente concerniente a este producto



Este símbolo en este aparato o el embalaje indica que, si tira las muestras inservibles, podrían dañar el medio ambiente. No tire este aparato (ni las pilas, si las hubiera) en la basura doméstica; debe ir a una empresa especializada en reciclaje. Devuelva este aparato a su distribuidor o a la unidad de reciclaje local. Respete las leyes locales en relación con el medio ambiente.

Si tiene dudas, contacte con las autoridades locales para residuos.

Gracias por elegir Toolland. Lea atentamente las instrucciones del manual antes de usar el aparato. Si ha sufrido algún daño en el transporte no lo instale y póngase en contacto con su distribuidor.

2. Uso conforme al uso previsto

- El afilador de cadenas sólo es apto para un uso privado y no profesional. Existe en versión estándar con disco montado (100 x 3.2 x 10 mm, 63 m/s). El afilador de cadenas sólo es apto para afilar cadenas para bricolaje (cadenas de bricolaje de 6.35 mm (1/4"), 9.52 mm (3/8") y cadenas de 8.255 (0.325")) Un disco de afilar opcional está disponible para afilar cadenas profesionales.
- No utilice el aparato para afilar otros objetos. ¡Riesgo de lesiones!
- Utilice sólo los discos de afilar adecuados para este aparato.
- Afile sólo las cadenas cuya instalación y manejo sean seguros.
- El uso conforme al uso previsto también implica el cumplimiento de las instrucciones de uso, de mantenimiento y de reparación del fabricante, así como el cumplimiento de las instrucciones de seguridad.
- Cumpla siempre con las regulaciones relevantes de prevención de accidentes para el funcionamiento, así como con las normas generales en materia de medicina y seguridad en el trabajo.
- Cualquier uso no conforme al uso especificado en este manual se considerará como inapropiado. El fabricante no será responsable de ningún daño causado por un uso incorrecto. El usuario asumirá todo el riesgo.
- El fabricante declina cualquier responsabilidad en caso de modificaciones no autorizadas y daños causados por un uso inadecuado.
- Sólo las personas (que estén) familiarizadas con el afilador de cadenas y los riesgos eventuales están autorizadas para utilizarlo, manejarlo y mantenerlo. Las reparaciones sólo pueden ser efectuadas por un centro de servicio técnico autorizado.
- No utilice el equipo en un entorno potencialmente explosivo ni bajo la lluvia.

3. Riesgos residuales

Sin embargo, un uso conforme al uso previsto y el cumplimiento de las instrucciones de seguridad aplicables no pueden eliminar todos los riesgos residuales causados por la fabricación y el uso del aparato.

Es posible disminuir los riesgos residuales al cumplir con la información de seguridad y el uso conforme al uso previsto, así como las instrucciones del manual de usuario.

La prudencia y la conciencia del peligro reducen los riesgos de lesiones corporales y daños materiales.

- Riesgo de lesiones en los dedos, las manos, a causa del disco de afilar en rotación.
- Riesgo de lesiones en los dedos y las manos en caso de contacto accidental con las zonas no protegidas del disco de afilar
- Riesgo de lesiones causadas por las chispas proyectadas.
- Inhalación de polvo de afilado
- Riesgo en caso de utilizar líneas de conexión no conformes.
- Riesgo en caso de contacto accidental con piezas bajo tensión de ciertos componentes eléctricos que se encuentran al descubierto
- Riesgo de daño en el oído en caso de trabajos de larga duración sin protector auditivo.

Además, es posible que los riesgos residuales persistan aunque se hayan tomado todas las medidas de protección.

4. Instrucciones de seguridad



El uso incorrecto de los afiladores de cadenas puede causar situaciones peligrosas. Durante el uso de aparatos eléctricos cumpla con las siguientes medidas de seguridad para protegerse de los riesgos de incendios, descargas eléctricas y lesiones corporales.



Antes de utilizar este aparato, lea cuidadosamente las siguientes instrucciones y consérvelas para cuando necesite consultarlas.



Asegúrese de que cualquier persona que trabaje con este aparato lea las instrucciones de seguridad.



Consérvelas en un lugar seguro.

- Familiarícese con el aparato antes de utilizarlo. Lea y comprenda el contenido de este manual del usuario.
- No utilice este aparato para fines inadecuados.
- Instale el aparato en una superficie plana y antideslizante
- Evite una postura anormal. Asegúrese de que adopte una posición segura y conserve su equilibrio en cualquier momento.
- Sea atento y cuidadoso con lo que hace. Trabaje de manera sensata. No utilice el aparato si está cansado o bajo la influencia de medicamentos, drogas o alcohol. El menor descuido durante el uso del aparato puede causar lesiones graves.
- Lleve ropa adecuada.
 - No lleve ropa holgada ni joyas, ya que podrían engancharse en las piezas móviles.
 - Lleve guantes de protección y zapatos antideslizantes.
 - Recoja el pelo largo con una redecilla.
- Lleve ropa protectora. Por ejemplo:
 - gafas de protección,
 - un protector auditivo,
 - una mascarilla respiratoria.
- Mantenga la zona de trabajo ordenada. El desorden puede causar accidentes.
- Tenga en cuenta las siguientes influencias medioambientales:
 - No utilice el aparato en un ambiente húmedo.
 - No exponga el afilador de cadenas a la lluvia.
 - No trabaje con iluminación insuficiente Asegúrese de que haya una buena iluminación.
- Nunca deje un aparato funcionando sin vigilancia.
- Las personas menores de 18 años no pueden utilizar este aparato.
- No deje que otras personas, especialmente los niños, toquen los cables ni el aparato. Mantenga alejada de su zona de trabajo cualquier persona ajena a la misma.
- No sobrecargue el aparato. Trabaja mejor y con mayor seguridad si usted respeta los tiempos de trabajo especificados.
- Asegúrese de que los equipos de seguridad estén completamente y correctamente montados. No modifique nada en el aparato que pueda mermar su seguridad.
- Nunca utilice un disco de afilar que no corresponda a las características indicadas en este manual del usuario.
- El uso de otros componentes y accesorios que no estén indicados aquí puede ser causar lesiones en el usuario.
- Cambie inmediatamente los discos para afilar que estén desgastados, usados (grietas, imperfecciones, roturas, etc.).
- Compruebe que el aparato esté fijado de manera estable.
- Desactive el aparato y retire el enchufe de la red eléctrica en caso de
 - reparaciones,
 - mantenimiento y limpieza,
 - solución de pequeñas averías (desbloqueo del disco de afilar),
 - almacenamiento,
 - Cuando se aleja del aparato aunque sea por un instante.
- Cuidado: ¡El disco sigue girando! No lo frene con la mano ni ejerciendo una presión lateral.

- Haga un mantenimiento cuidadoso del aparato:
 - No engrase el aparato.
 - Cumpla con las prescripciones de mantenimiento así como con las indicaciones relativas al cambio de componentes de su aparato.
- Compruebe que el aparato, no tenga ningún daño.
 - Antes de seguir utilizando el aparato, los componentes y piezas que estén ligeramente dañados deben ser examinados para garantizar su funcionamiento conforme y correcto.
 - Compruebe el funcionamiento correcto de las piezas móviles y asegúrese de que no estén ni atascadas ni dañadas aunque sea parcialmente. El conjunto de piezas debe estar correctamente montado y se deben cumplir todas las condiciones para garantizar el funcionamiento perfecto del aparato.
 - Los dispositivos de protección y los componentes dañados deben ser reparados o cambiados correctamente por un taller especializado (o por el fabricante), a menos que el manual de instrucciones de uso indique otra cosa.
 - Los adhesivos de seguridad dañados o ilegibles deben ser cambiados.
- No deje enchufadas sus herramientas sin razón. Antes de activar el aparato, compruebe siempre que ha retirado todas las herramientas que ha utilizado para su reparación.
- Almacene las herramientas eléctricas que no utiliza, en un lugar seco, segur, bajo llave, fuera del alcance de los niños

5. Seguridad eléctrica

- El cable de conexión cumple con la norma IEC 60 245 (H 07 RN-F) con una sección mínima de mín. 1.5 mm³ para cables de hasta 25 m.
- Los cables largos y delgados provocan una caída de tensión eléctrica. Por ello, el motor ya no alcanza su potencia máxima y esto daña el aparato.
- Los enchufes y las tomas de los cables de conexión deben ser de goma, PVC flexible o de otros materiales termoplásticos con igual resistencia mecánica.
- Los enchufes del cable de conexión deben estar protegidos contra las proyecciones de agua.
- Al instalar el cable de conexión, compruebe que no moleste, que no esté aplastado ni doblado y que su conector no se moje.
- En caso de utilización de un cable prolongador con tambor, desenrolle por completo el cable.
- No utilice el cable para un uso no previsto. Proteja el cable del calor, del aceite, de superficies cortantes. No tire del cable para desenchufar su aparato de la red.
- Protéjase de los riesgos de descargas eléctricas. Evite el contacto corporal con elementos con toma de tierra. (radiadores, refrigeradores, hornos, etc.).
- Compruebe el cable prolongador regularmente y cámbielo en cuanto esté dañado.
- Nunca utilice cables de conexión defectuosos
- Nunca utilice conexiones eléctricas provisionales o de reparación.
- No haga nunca puentes, ni parches en equipos de seguridad y nunca los ponga fuera de servicio.



Cualquier reparación en las partes eléctricas del aparato debe ser realizada por técnicos cualificados. Tenga en cuenta las normas locales, sobre todo las medidas de protección.



Cualquier reparación en las piezas del aparato debe ser realizada por el fabricante.



Utilice sólo las piezas de recambio originales. El uso de otras piezas o accesorios que no fueran originales representa un riesgo de accidente para el usuario. Velleman nv declina cualquier responsabilidad en cuanto a los daños que deriven del incumplimiento de esta advertencia.

6. Preparar la puesta en marcha



Siga las indicaciones de este manual del usuario para conseguir un perfecto funcionamiento del aparato.

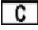
Debe seguir los siguientes pasos:

- Monte la placa giratoria.
- Coloque el aparato de manera estable.

6.1 Montar la placa giratoria

1. **A** Coloque la placa giratoria (1) en la mesa de apoyo (2).
2. **B** Apriete la tuerca de fijación (7) en el tornillo de bloqueo.

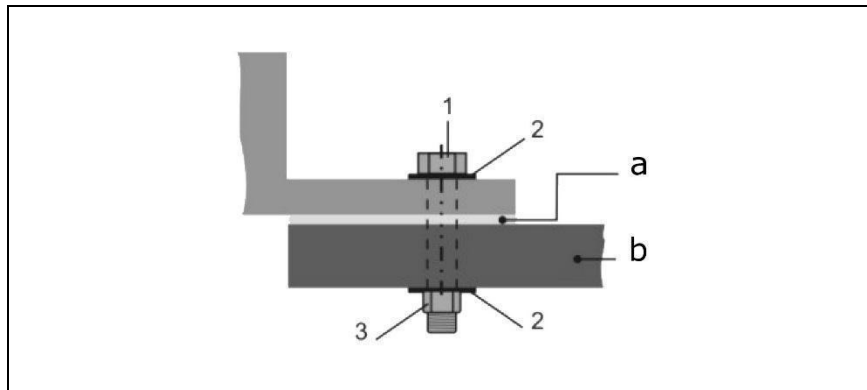
6.2 Montar el afilador de cadenas en un banco de trabajo

 Fije el aparato firmemente en una esquina de su banco de trabajo o de cualquier otro tipo de mesa para garantizarle a usted un manejo completamente seguro. Utilice siempre que pueda, los 3 puntos de fijación. Cuidado con dejar libres el orificio previsto para la sierra y la tuerca de bloqueo.

Consejo: para reducir al máximo el ruido y las vibraciones, le recomendamos utilizar un soporte adicional de goma (no incl.).

Las pequeñas piezas que son necesarias al montaje no se entregan con el aparato. Utilice las siguientes piezas:

Posición	Descripción
1	tuerca hexagonal M 8
2	arandela Ø 8mm
3	tuerca hexagonal M8, bloqueo automático



Coloque el aparato en un lugar adecuado que cumpla con las siguientes condiciones:

- no deslizante
- libre de vibraciones
- plano
- limpio y seco
- sin riesgo de tropiezos
- con suficiente luz

7. Puesta en marcha

7.1 Conexión a la red eléctrica

Compare la tensión indicada en la placa eléctrica de su aparato, por ejemplo 230 V, con la tensión de la red eléctrica donde quiere conectarlo. Conecte el afilador de cadenas a la toma de tierra adecuada, y que este conforme.



Motor de corriente alternativa: Interruptor de protección contra los cortos circuitos (30 mA) y fusible 10 A inerte.

Utilice cables de conexión y cables prolongador que tengan una sección mínima del conector de 1.5 mm³.

7.2 Activar el aparato



Nunca utilice un aparato cuyo interruptor no funcione correctamente. Los interruptores dañados deben ser reparados o reemplazados inmediatamente por el servicio postventa. Los interruptores dañados deben ser reparados o cambiados inmediatamente.



Ponga el botón ON/OFF en la posición I.

7.3 Desactivar el aparato



Ponga el botón ON/OFF en la posición O.

8. Instrucciones de uso

8.1 Cumpla con todo lo siguiente antes de empezar:

- ¿Puesto de trabajo ordenado?
- ¿El aparato está montado de manera estable en el banco de trabajo?
- Nunca active el aparato antes de haber leído todas las instrucciones de uso, ni antes de ser capaz de cumplir con las indicaciones y consignas de seguridad, ni antes de haber montado por completo y correctamente el aparato.

8.2 Trabajar con el afilador de cadenas



D El disco debe estar en lo más posible, cubierto por la tapa (20). Para ello, retire los 2 capuchones (14) de los tornillos y ajuste la tapa correctamente.



Mantenga siempre las manos a buena distancia del disco de afilar cuando este en rotación.

- Utilice el disco de afilar de fábrica sólo para afilar cadenas de sierra de bricolaje.
- No utilice discos de afilar que sean defectuosos o deformados aunque sea ligeramente.
- No empiece a trabajar con el disco hasta que no haya alcanzado su velocidad máxima.
- Límitese al afilado de cadenas cuyo posicionamiento y manejo se puedan hacer sin peligro, sin riesgo de lesiones.

9. Trabajar con el afilador de cadenas

9.1 Afilador de cadenas

Antes de proceder al ajuste del aparato:



- Desactive el aparato.
- Espere hasta que el disco de afilar este completamente inmóvil.
- Desenchufe el aparato de la red eléctrica.

9.2 Afilador de todos los eslabones de corte

Para afilar un diente, debe proceder de la siguiente manera:

1. Ajuste el ángulo de afilado: Haga pivotar la placa giratoria en aproximadamente 30° aflojando la tuerca de bloqueo (7) y vuelva a apretar la tuerca de bloqueo.



Los dientes de los eslabones de corte están habitualmente afilados en un ángulo situado entre 30 y 35 grados.

2. **E** Afloje el tornillo de fijación (3b) y coloque la cadena en el rail guía (6) entre las placas (5).
3. **F** Cierre el tope (4) hacia abajo y estire de la cadena hacia atrás hasta que el eslabón de corte que desea afilar este en contacto con el tope.
4. **G** Para garantizar un alineamiento correcto, apriete el cabezal de afilado (13) contra el eslabón de corte con la ayuda del tornillo de fijación (3a). Ajuste el intervalo de tal manera que el disco de afilar este en contacto con el eslabón de corte. Ajuste también la profundidad del afilado con el tornillo de ajuste (8).
5. Apriete el tornillo de fijación (3b) La cadena está bien fijada.
6. Afile con cuidado el diente del eslabón de corte.



Para evitar cualquier deterioro de la cadena, afile lo justo durante el tiempo más breve posible y únicamente en la medida de lo necesario.

7. Afile con cuidado uno de cada dos dientes respetando los pasos 5 y 6

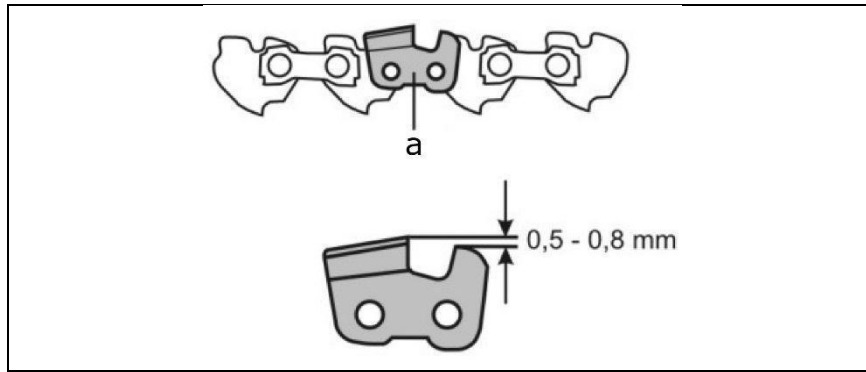


Marque el primer eslabón de corte, con una tiza por ejemplo. De esta manera evitará afilar dos veces los mismos eslabones de corte.

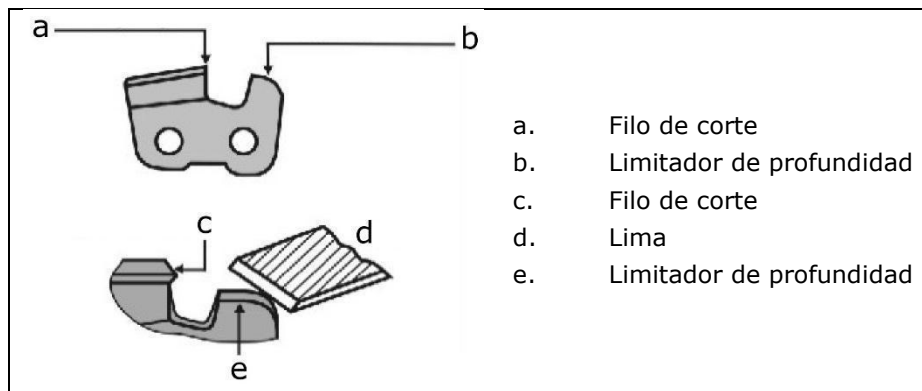
8. **I** Haga pivotar la placa giratoria en 30° hacia el otro lado y afile los dientes que quedan tal como se explicó anteriormente.

9.3 Ajustar el intervalo limitador de profundidad

Una vez afilados todos los dientes de los eslabones de corte, su cadena está realmente afilada, pero puede ocurrir que no corte correctamente. Por ello, es necesario un intervalo limitador de profundidad (= intervalo entre el limitador de profundidad y el filo de corte). Suele estar entre 0.5 y 0.8 mm.



Un intervalo limitador de profundidad demasiado elevado aumenta el riesgo de retorno durante la utilización de la sierra. Debe controlar el intervalo conforme a las indicaciones de la cadena de su sierra y si es necesario, afilarla con una lima. Cuidado con redondear el filo delantero del limitador de profundidad. Conserve imperativamente la forma original del eslabón de corte.



10. Descripción

Véase las figuras **O** y **P** en la página 2 y 3 de este manual del usuario.

1	Placa giratoria, completa
2	Mesa de soporte
3	Tornillo de fijación (con muelle)
4	Tope para la cadena
5	Guía para la placa
6	Guía para raíl
7	Tuerca de bloqueo
8	Tornillo de ajuste (para fijar la profundidad de afilado)
9	Disco de afilar (100 x 3.2 x 10 mm)
10	Tapa

11	Asa
12	Interruptor Activado/OFF
13	Motor
14	Capuchón de tornillo
15	Tuerca M8, bloqueo automático
16	Brida
17	Adhesivo de seguridad
18	1 par de escobillas de carbón
19	Tapa
20	Tuerca

11. Limpieza y mantenimiento

Antes de cualquier operación de mantenimiento y de limpieza tenga en cuenta lo siguiente:



- Desactive el aparato.
- Espere hasta que el disco de afilar este completamente inmóvil.
- Desenchufe el aparato de la red eléctrica.

11.1 Reemplazar el disco de afilar



- No utilice jamás discos de afilado defectuosos o deformados
- No utilice jamás un disco de afilar que no corresponda a las características indicadas en este manual de usuario.

1. **J** Retire los dos capuchones (14) de los tornillos y retire la tapa del disco (20).
2. **K**, **L** Afloje los tornillos (21) situados en los dos lados de la tapa (10). Retire la tapa del disco.

3. Bloquee el disco de afilar poniendo un destornillador o un mandril (\varnothing 4 mm) en el agujero previsto para ello.
4. Afloje el tornillo (15).



Rosca derecha.

5. **M**, **N** Retire el tornillo, la brida delantera (16), el disco de afilar (9) y la brida trasera (16).
6. Limpie las bridas.
7. Proceda respetando el orden inverso para el montaje del disco de afilar.



No se olvide de montar de nuevo todos los dispositivos de seguridad que ha quitado para realizar una operación de mantenimiento o de limpieza. Utilice únicamente piezas de recambio originales. El uso de otras piezas o accesorios puede causar daños materiales y daños corporales imprevisibles.

Respete las siguientes instrucciones de uso para preservar todas las funciones de su afilador de cadenas.

- Limpie y engrase todas las piezas móviles regularmente.
- Elimine el polvo y la suciedad con un trapo o un pincel.
- Limpie los orificios de ventilación después de cada uso.
- Limpie el aparato en seco.
- No utilice solventes (gasolina, alcohol,...) para la limpieza de los componentes plásticos de su aparato, estos podrían dañarlos.
- ¡Nunca utilice grasa! Utilice un aceite biodegradable, ecológico.



11.2 Almacenamiento



Desenchufe.

- Conserve las herramientas que no utiliza en un lugar seco, bajo llave y fuera del alcance de los niños.
- Antes de un largo período de almacenamiento, haga una limpieza profunda y cuidadosa.

12. Problemas posibles

Antes de eliminar los problemas:



- Desactive el aparato.
- Espere hasta que el disco de afilar este completamente inmóvil.
- Desenchufe el aparato de la red eléctrica.

Error	Causa posible	Solución
El afilador de cadenas no funciona	<ul style="list-style-type: none"> • No hay corriente eléctrica • El cable prolongador es defectuoso • El enchufe, la toma, el motor o el interruptor es defectuoso 	<ul style="list-style-type: none"> • Compruebe la alimentación eléctrica, el fusible, el enchufe • Compruebe el cable prolongador. Cámbielo inmediatamente si está dañado. • Pida a un electricista oficial la comprobación del motor o del conmutador, su reparación o su cambio con piezas originales
El afilador de cadenas funciona a ratos	<ul style="list-style-type: none"> • El cable prolongador es defectuoso • Avería interna • El interruptor es defectuoso 	<ul style="list-style-type: none"> • Compruebe el cable prolongador. Reemplácelo inmediatamente si está dañado. • Contacte con su distribuidor • Contacte con su distribuidor
El disco de afilar se calienta	<ul style="list-style-type: none"> • El disco de afilar tiene imperfecciones o es defectuoso 	<ul style="list-style-type: none"> • Reemplace el disco de afilar
El motor ronca, el disco se queda inmóvil	<ul style="list-style-type: none"> • El disco de afilar se bloquea 	<ul style="list-style-type: none"> • Quite el objeto que bloquea el disco
Vibraciones inusuales	<ul style="list-style-type: none"> • El disco de afilar es defectuoso 	<ul style="list-style-type: none"> • Reemplace el disco de afilar

13. Normas generales

Véase la **Garantía de servicio y calidad Velleman®** al final de este manual del usuario.

14. Características

- 5 ángulos de corte
- disco de afilar 100 x 10 x 4.5 mm (incl.)
- opciones (no incl.):
 - disco de afilar de recambio 100 x 10 x 3.2 mm (referencia **EHBE777**)
 - disco de afilar de recambio 100 x 10 x 4.5 mm (referencia **EHBE999**)

15. Especificaciones

alimentación	230 VAC, 50 Hz
consumo	220 W
motor	7500 rpm

Utilice este aparato sólo con los accesorios originales. Velleman NV no será responsable de daños ni lesiones causados por un uso (indebido) de este aparato. Para más información sobre este producto y la versión más reciente de este manual del usuario, visite nuestra página www.toolland.eu. Se pueden modificar las especificaciones y el contenido de este manual sin previo aviso.

© DERECHOS DE AUTOR

Velleman NV dispone de los derechos de autor para este manual del usuario. Todos los derechos mundiales reservados. Está estrictamente prohibido reproducir, traducir, copiar, editar y guardar este manual del usuario o partes de ello sin el consentimiento previo por escrito del propietario del copyright.

BEDIENUNGSANLEITUNG

1. Einführung

An alle Einwohner der Europäischen Union

Wichtige Umweltinformationen über dieses Produkt



Dieses Symbol auf dem Produkt oder der Verpackung zeigt an, dass die Entsorgung dieses Produktes nach seinem Lebenszyklus der Umwelt Schaden zufügen kann. Entsorgen Sie die Einheit (oder verwendeten Batterien) nicht als unsortierter Hausmüll; die Einheit oder verwendeten Batterien müssen von einer spezialisierten Firma zwecks Recycling entsorgt werden. Diese Einheit muss an den [REDACTED] Händler oder ein örtliches Recycling-Unternehmen retourniert werden. Respektieren Sie die örtlichen Umweltvorschriften.

Falls Zweifel bestehen, wenden Sie sich für Entsorgungsrichtlinien an Ihre örtliche Behörde.

Vielen Dank, dass Sie sich für Toolland entschieden haben. Lesen Sie diese Bedienungsanleitung vor Inbetriebnahme sorgfältig durch. Überprüfen Sie, ob Transportschäden vorliegen. Sollte dies der Fall sein, verwenden Sie das Gerät nicht und wenden Sie sich an Ihren Händler.

2. Bestimmungsgemäße Verwendung

- Das Kettenschärfgerät ist nur für die Nutzung im Heim- und Hobbybereich vorgesehen. In der Standardausführung mit montierter Schleifscheibe (100 x 3.2 x 10 mm, 63 m/s) ist das Kettenschärfgerät ausschließlich zum Schärfen von Hobbysägeketten (6.35 mm (1/4"), 9.52 mm (3/8") Hobby und 8.255 mm (0.325") Sägeketten) vorgesehen. Optional gibt es eine Schleifscheibe (100 x 4.5 x 10 mm) für Profisägeketten.
- Verwenden Sie das Gerät nicht zum Schärfen anderer Gegenstände. Es besteht Verletzungsgefahr!
- Benutzen Sie nur für die Maschine geeignete Schleifscheiben
- Bearbeiten Sie nur Sägeketten, die sicher aufgelegt und geführt werden können.
- Zur bestimmungsgemäßen Verwendung gehört auch die Einhaltung der vom Hersteller vorgeschriebenen Betriebs-, Wartungs- und Instandsetzungsbedingungen und die Befolgung der in der Anleitung enthaltenen Sicherheitshinweise.
- Die geltenden einschlägigen Unfallverhütungsvorschriften, sowie die sonstigen allgemein anerkannten arbeitsmedizinischen und sicherheitstechnischen Regeln sind einzuhalten.
- Jeder weiter darüber hinausgehende Gebrauch gilt als nicht bestimmungsgemäß. Für hieraus resultierende Schäden jeder Art haftet der Hersteller nicht: das Risiko trägt allein der Benutzer.
- Eigenmächtige Veränderungen an dem Kettenschärfgerät schließen eine Haftung des Herstellers für daraus entstehende Schäden jeder Art aus.
- Das Gerät darf nur von Personen gerüstet, genutzt und gewartet werden, die damit vertraut und über die Gefahren unterrichtet sind. Service-Arbeiten dürfen nur durch autorisierte Kundendienststellen durchgeführt werden.
- Verwenden Sie das Gerät nicht in explosionsgefährdeter Umgebung oder setzen Sie es nicht dem Regen aus.

3. Restrisiken

Auch bei bestimmungsgemäßer Verwendung können trotz Einhaltung aller einschlägigen Sicherheitsbestimmungen aufgrund der durch den Verwendungszweck bestimmten Konstruktion noch Restrisiken bestehen.

Restrisiken können minimiert werden, wenn die 'Sicherheitshinweise' und die 'Bestimmungsgemäße Verwendung', sowie die Bedienungsanleitung insgesamt beachtet werden.

Rücksichtnahme und Vorsicht verringern das Risiko von Personenverletzungen und Beschädigungen.

- Verletzungsgefahr der Finger und Hände durch das Reingreifen in die laufende Schleifscheibe.
- Verletzungsgefahr der Finger und Hände durch das Berühren der Schleifscheibe an nicht abgedeckten Bereichen.
- Verletzungsgefahr durch Funkenflug.
- Einatmen von Schleifstaub.
- Gefährdung durch Strom, bei Verwendung nicht ordnungsgemäßer Elektro-Anschlussleitungen.
- Berührung spannungsführender Teile bei geöffneten elektrischen Bauteilen.
- Beeinträchtigung des Gehörs bei länger andauernden Arbeiten ohne Gehörschutz.

Des Weiteren können trotz aller getroffener Vorkehrungen nicht offensichtliche Restrisiken bestehen.

4. Sicherheitshinweise



Eine unsachgemäße Anwendung des Gerätes kann zu gefährlichen Situationen führen. Beim Gebrauch von Elektrowerkzeugen sind zum Schutz gegen elektrischen Schlag, Verletzungs- und Brandgefahr folgende grundsätzliche Sicherheitsmaßnahmen zu beachten.



Lesen Sie alle Sicherheitshinweise, bevor Sie dieses Gerät benutzen, und bewahren Sie diese gut auf, damit Ihnen diese Informationen jederzeit zur Verfügung stehen.



Stellen Sie sicher, dass alle Personen, die mit diesem Gerät arbeiten, die Sicherheitshinweise gelesen haben.



Bewahren Sie diese Sicherheitshinweise an einem sicheren Ort auf.

- Machen Sie sich vor Gebrauch mit Hilfe der Bedienungsanleitung mit dem Gerät vertraut.
- Benutzen Sie das Gerät nicht für Zwecke, für die es nicht bestimmt ist.
- Montieren Sie das Gerät auf einem rutschfesten und ebenen Untergrund.
- Vermeiden Sie abnormale Körperhaltung. Sorgen Sie für sicheren Stand und halten Sie jederzeit das Gleichgewicht.
- Seien Sie aufmerksam. Achten Sie darauf, was Sie tun. Gehen Sie mit Vernunft an die Arbeit. Verwenden Sie das Gerät nicht, wenn Sie müde sind oder unter dem Einfluss von Drogen, Alkohol oder Medikamenten stehen. Ein Moment der Unachtsamkeit beim Gebrauch des Gerätes kann zu ernsthaften Verletzungen führen.
- Tragen Sie geeignete Arbeitskleidung.
 - Tragen Sie keine weite Kleidung oder Schmuck. Diese können von beweglichen Teilen erfasst werden.
 - Tragen Sie Handschuhe und rutschfestes Schuhwerk.
 - Tragen Sie ein Haarnetz bei langen Haaren.
- Tragen Sie Schutzkleidung:
 - Schutzbrille
 - Gehörschutz
 - Staubschutzmaske
- Halten Sie Ihren Arbeitsbereich in Ordnung. Unordnung kann Unfälle zur Folge haben.
- Berücksichtigen Sie Umgebungseinflüsse:
 - Benutzen Sie das Gerät nicht in feuchter oder nasser Umgebung.
 - Setzen Sie das Gerät nicht dem Regen aus.
 - Arbeiten Sie nur bei ausreichenden Sichtverhältnissen. Sorgen Sie für gute Beleuchtung.
- Lassen Sie die Maschine in betriebsbereitem Zustand nie unbeaufsichtigt.
- Personen unter 18 Jahren dürfen das Gerät nicht bedienen.
- Lassen Sie andere Personen, insbesondere Kinder, nicht das Werkzeug oder das Kabel berühren. Halten Sie sie von Ihrem Arbeitsbereich fern.
- Überlasten Sie die Maschine nicht. Sie arbeiten besser und sicherer im angegebenen Leistungsbereich.
- Betreiben Sie das Gerät nur mit kompletten und korrekt angebrachten Schutzeinrichtungen und ändern Sie an der Maschine nichts, was die Sicherheit beeinträchtigen könnte.
- Verwenden Sie keine Schleifscheiben die nicht den angegebenen Kenndaten dieser Bedienungsanleitung entsprechen.
- Der Gebrauch anderer Werkzeuge und anderen Zubehörs kann eine Verletzungsgefahr bedeuten.
- Abgenutzte und defekte Schleifscheiben (Risse, Unwucht, Absplitterungen usw.) sind sofort zu ersetzen.
- Achten Sie auf einen festen Sitz der Schleifscheibe.
- Schalten Sie das Gerät ab und ziehen Sie den Netzstecker aus der Steckdose bei
 - Reparaturarbeiten,
 - Wartungs- und Reinigungsarbeiten,
 - Beseitigung von Störungen (dazu gehört auch das Freimachen einer blockierten Schleifscheibe),
 - Lagerung,
 - Verlassen des Gerätes (auch bei kurzzeitigen Unterbrechungen).
- Achtung: Schleifscheibe läuft nach! Bremsen Sie die Schleifscheibe nicht mit der Hand oder seitlichem Druck ab.
- Pflegen Sie Ihr Gerät mit Sorgfalt:
 - Halten Sie das Gerät frei von Öl und Fett.
 - Befolgen Sie die Wartungsvorschriften und die Hinweise für den Werkzeugwechsel.

- Überprüfen Sie die Maschine auf eventuelle Beschädigungen:
 - Vor weiterem Gebrauch der Maschine müssen Schutzvorrichtungen oder leicht beschädigte Teile sorgfältig auf ihre einwandfreie und bestimmungsgemäße Funktion untersucht werden.
 - Überprüfen Sie, ob die beweglichen Teile einwandfrei funktionieren und nicht klemmen oder ob Teile beschädigt sind. Sämtliche Teile müssen richtig montiert sein und alle Bedingungen erfüllen, um einwandfreien Betrieb des Gerätes sicherzustellen.
 - Beschädigte Schutzvorrichtungen und Teile müssen sachgemäß durch eine anerkannte Fachwerkstatt (oder Hersteller) repariert oder ausgewechselt werden, soweit nichts anderes in der Gebrauchsanweisung angegeben ist.
 - Beschädigte oder unleserliche Sicherheitsaufkleber sind zu ersetzen.
- Lassen Sie keine Werkzeugschlüssel stecken. Überprüfen Sie stets vor dem Einschalten, dass Schlüssel und Einstellwerkzeuge entfernt sind.
- Bewahren Sie unbenutzte Elektrowerkzeuge an einem trockenen, hochgelegenen oder abgeschlossenen Ort, außerhalb der Reichweite von Kindern, auf.

5. Elektrische Sicherheit

- Ausführung der Anschlussleitung nach IEC 60245 (H 07 RN-F) mit einem Aderquerschnitt von mindestens 1.5 mm² bei einer Kabellänge bis 25 m.
- Lange und dünne Anschlussleitungen erzeugen einen Spannungsabfall. Der Motor erreicht nicht mehr seine maximale Leistung, die Funktion des Gerätes wird reduziert.
- Stecker und Kupplungsdosen an Anschlussleitungen müssen aus Gummi, Weich-PVC oder anderem thermoplastischen Material der gleichen mechanischen Festigkeit sein oder mit diesem Material überzogen sein.
- Die Steckvorrichtung der Anschlussleitung muss spritzwassergeschützt sein.
- Achten Sie beim Verlegen der Anschlussleitung darauf, dass sie nicht stört, gequetscht, geknickt und die Steckverbindung nicht nass wird.
- Wickeln Sie bei Verwendung einer Kabeltrommel das Kabel vollständig ab.
- Verwenden Sie das Kabel nicht für Zwecke, für die es nicht bestimmt ist. Schützen Sie das Kabel vor Hitze, Öl und scharfen Kanten. Verwenden Sie das Kabel nicht, um den Stecker aus der Steckdose zu ziehen.
- Schützen Sie sich vor elektrischen Schlägen. Berühren Sie keine geerdeten Teilen (z. B. Rohre, Heizkörper, Herde, Kühlschränke usw.).
- Kontrollieren Sie Verlängerungskabel regelmäßig und ersetzen Sie sie, wenn sie beschädigt sind.
- Verwenden Sie keine defekten Anschlussleitungen.
- Setzen Sie keine provisorischen Elektroanschlüsse ein.
- Überbrücken oder setzen Sie Schutzeinrichtungen niemals außer Betrieb.



Der Elektroanschluss bzw. Reparaturen an elektrischen Teilen der Maschine muss durch eine autorisierte Elektrofachkraft erfolgen. Beachten Sie die örtlichen Vorschriften, insbesondere hinsichtlich der Schutzmaßnahmen.



Reparaturen an anderen Teilen der Maschine müssen durch den Hersteller erfolgen.



Verwenden Sie nur Originalersatz-, Zubehör- und Sonderzubehöerteile. Durch den Gebrauch anderer Ersatzteile und anderen Zubehörs können Unfälle für den Benutzer entstehen. Für hieraus resultierende Schäden haftet Velleman nv nicht.

6. Vorbereiten zur Inbetriebnahme



Um ein einwandfreies Funktionieren der Maschine zu erzielen, befolgen Sie die Hinweise dieser Anleitung.

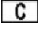
Sie müssen noch Folgendes tun:

- Montieren Sie den Drehteller.
- Stellen Sie das Gerät sicher auf.

6.1 Den Drehteller montieren

1. **A** Setzen Sie den Drehteller (1) auf den Auflagetisch(2).
2. **B** Schrauben Sie die Befestigungsmutter (7) auf die Feststellschraube.

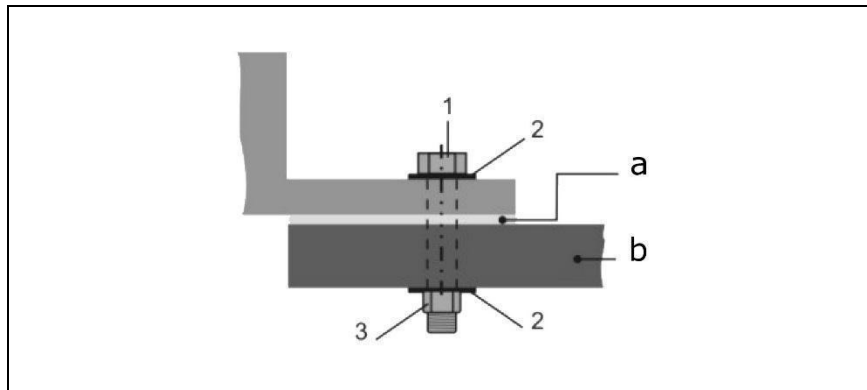
6.2 Das Kettenschärfgerätes auf einer Werkbank montieren

 Das Gerät muss zur sicheren Handhabung fest an einer Ecke einer Werkbank oder eines Tisches angebracht werden. Wenn möglich, verwenden Sie dazu alle drei Befestigungspunkte. Achten Sie dabei aber darauf, dass die Aussparung für die Sägekette sowie der Zugang zur Feststellmutter frei bleibt.

Tipp: Zusätzlich empfehlen wir eine Gummiunterlage zur Lärm- und Vibrationsreduzierung (nicht im Lieferumfang enthalten)

Die zur Montage benötigten Kleinteile sind nicht im Lieferumfang enthalten. Verwenden Sie dafür:

Position	Beschreibung
1	Sechskantschraube M 8
2	Scheibe Ø 8mm
3	Sechskantmutter M 8, selbstsichernd



Stellen Sie das Gerät an einen Platz, der folgende Bedingungen erfüllt:

- rutschfest
- schwingungsfrei
- eben
- sauber und trocken
- frei von Stolpergefahren
- ausreichende Lichtverhältnisse

7. Inbetriebnahme

7.1 Netzanschluss

Vergleichen Sie die auf dem Gerätetypenschild angegebene Spannung, z.B. 230 V mit der Netzspannung und schließen Sie das Kettenschärfgerät an die entsprechende und vorschriftsmäßig geerdete Steckdose an.



Wechselstrommotor: Verwenden Sie eine Schuko-Steckdose, Netzspannung 230 V mit Fehlerstromschutzschalter (30 mA) und Absicherung 10 A träge.

Verwenden Sie Anschluss- bzw. Verlängerungskabel mit einem Aderquerschnitt von mindestens 1.5 mm³.

7.2 Das Gerät einschalten



Benutzen Sie kein Gerät, bei dem sich der Schalter nicht ein und ausschalten lässt. Beschädigte Schalter müssen unverzüglich repariert oder ersetzt werden.



Stellen Sie den EIN/AUS-Schalter auf I.

7.3 Das Gerät abschalten



Stellen Sie den EIN/AUS-Schalter auf O.

8. Arbeitshinweise

8.1 Vor Anfang, beachten Sie Folgendes:

- Arbeitsplatz aufgeräumt?
- Ist das Kettenschärfgerät fest auf einer Werkbank montiert?
- Nehmen Sie das Gerät nicht in Betrieb, bevor Sie diese Bedienungsanleitung gelesen, alle angegebenen Hinweise beachtet und das Gerät wie beschrieben montiert haben.

8.2 Arbeiten mit dem Kettenschärfgerät



Die Schleifscheibe muss von der Schutzabdeckung (20) so weit wie möglich abgedeckt sein. Dazu die beiden Schraubenabdeckungen (14) lösen und die Schutzabdeckung entsprechend einstellen.



Halten Sie die Hände immer im sicheren Abstand zur rotierenden Schleifscheibe.

- Benutzen Sie die ab Werk eingebaute Schleifscheibe nur zum Schärfen von Hobbysägeketten.
- Verwenden Sie keine beschädigten Schleifscheiben oder solche, die die Form verändert haben.
- Arbeiten Sie erst, wenn die Schleifscheibe die maximale Drehzahl erreicht hat.
- Es dürfen nur Sägeketten bearbeitet werden, die sicher aufgelegt und geführt werden können.

9. Mit dem Kettenschärfgerät arbeiten

9.1 Sägeketten schärfen



Vor jeder Einstellung am Gerät:

- Schalten Sie das Gerät ab.
- Warten Sie den Stillstand der Schleifscheibe ab.
- Ziehen Sie den Netzstecker.

9.2 Alle Schneidglieder schleifen

Um eine Schneide der Schneidglieder zu schleifen gehen Sie wie folgt vor:

1. Den Schleifwinkel einstellen: Lösen Sie die Feststellmutter, um (7) den Drehteller auf ca. 30° zu drehen und ziehen Sie die Feststellmutter wieder an.



Die Schneiden der Schneidglieder werden normalerweise in einem Winkel zwischen 30 und 35 Grad geschliffen.

2. Lösen Sie die Befestigungsschraube (3b) und legen Sie die Sägekette in die Führungsschiene (6) zwischen die Führungsplatten (5).
3. Klappen Sie den Kettenanschlag (4) herunter und ziehen Sie die Sägekette soweit nach hinten, bis das zu schleifende Schneidglied am Anschlag anliegt.
4. Zur genauen Ausrichtung ziehen Sie den Schleifkopf (13) gegen das Schneidglied. Stellen Sie den Abstand durch die Befestigungsschraube (3a) so ein, dass die Schleifscheibe das Schneidglied berührt. Regulieren Sie zusätzlich mit der Einstellschraube (8) die Schleiftiefe.
5. Ziehen Sie die Befestigungsschraube (3b) an bis die Sägekette fixiert ist.
6. Schleifen Sie vorsichtig die Schneide des Schneidgliedes.



Um Beschädigungen an der Sägekette zu vermeiden, schleifen Sie so kurz wie möglich und nur so viel Material wie nötig ab.

7. Schleifen Sie jede zweite Schneide, indem Sie die Schritte 5. und 6. durchführen.

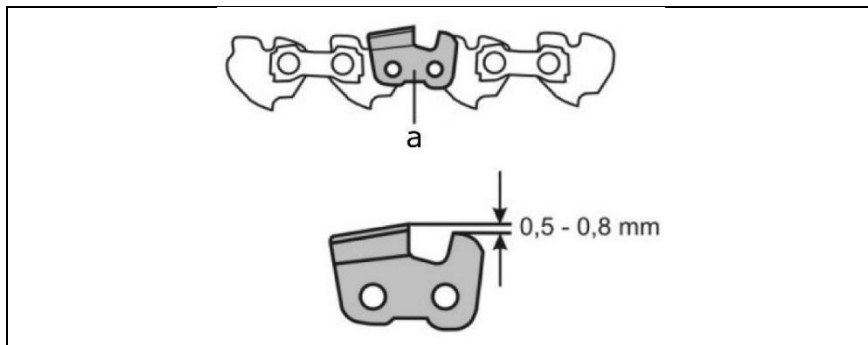


Kennzeichnen Sie das erste Schneidglied, z. B. durch einen Kreidestrich. So vermeiden Sie, dass Sie Schneidglieder doppelt schärfen.

8. Drehen Sie den Drehteller auf die 30° der anderen Seite und schleifen Sie wie oben beschrieben die restlichen Schneiden.

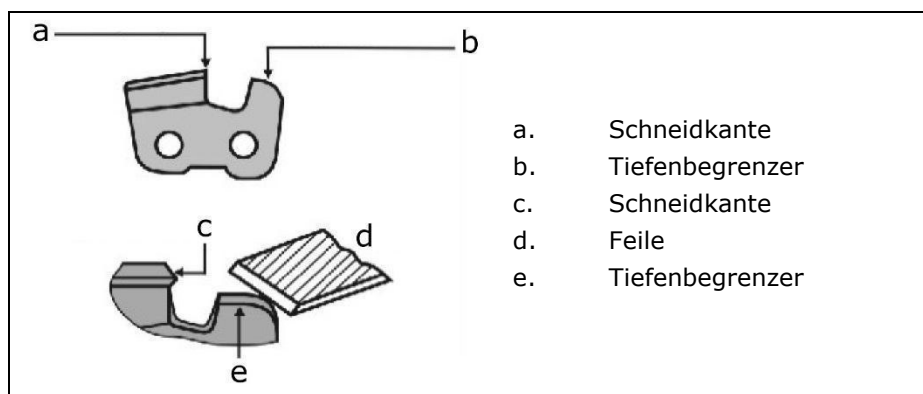
9.3 Den Tiefenbegrenzerabstand einstellen

Wenn alle Schneiden der Schneidglieder geschärft sind, ist Ihre Sägekette scharf, aber sie schneidet möglicherweise nicht. Deshalb muss auch immer ein Tiefenbegrenzerabstand vorhanden sein (= Abstand zwischen Tiefenbegrenzer und Schneidkante). In der Regel beträgt er 0,5 – 0,8 mm.



Ein zu großer Tiefenbegrenzerabstand erhöht die Rückschlaggefahr beim Sägen. Hierzu müssen Sie gemäß den Angaben Ihrer Sägekette den Abstand prüfen und gegebenenfalls mit einer Feile abfeilen.

Achten Sie darauf, dass Sie die Vorderkante des Tiefenbegrenzers mit einer Feile abrunden. Die ursprüngliche Form des Schneidgliedes muss erhalten bleiben.



10. Beschreibung

Siehe Abbildungen **O** und **P**, Seite 2 und 3 dieser Bedienungsanleitung.

1	Drehteller, komplett
2	Auflagetisch
3	Befestigungsschraube (mit Feder)
4	Kettenanschlag
5	Führungsplatte
6	Führungsschiene
7	Feststellmutter
8	Einstellschraube (für Schleiftiefe)
9	Schleifscheibe (100 x 3.2 x 10 mm)
10	Abdeckung

11	Handgriff
12	EIN/AUS-Schalter
13	Motor
14	Schraubenabdeckung
15	Mutter M8, selbstsichernd
16	Flansch
17	Sicherheitsaufkleber
18	1 Paar Kohlebürsten
19	Schutzabdeckung
20	Mutter

11. Wartung und Pflege

Vor jeder Wartungs- und Reinigungsarbeit:



- Schalten Sie das Gerät ab.
- Warten Sie den Stillstand der Schleifscheibe ab.
- Ziehen Sie den Netzstecker.

11.1 Die Schleifscheibe austauschen



- Verwenden Sie keine beschädigten Schleifscheiben oder solche, die die Form verändert haben.
- Verwenden Sie keine Schleifscheiben die nicht den angegebenen Kenndaten dieser Bedienungsanleitung entsprechen.

1. **J** Lösen Sie die Schraubenabdeckungen (14) und nehmen Sie die Schutzabdeckung (20) ab.
2. **K**, **L** Lösen Sie die Mutter (21) an beiden Seiten der Abdeckung (10). Nehmen Sie die Abdeckung ab.
3. Zur Arretierung der Schleifscheibe stecken Sie einen Schraubendreher oder Dorn (Ø 4mm) in das dafür vorgesehene Loch.

4. Lösen Sie die Mutter (15).



Rechtsgewinde

5. **M**, **N** Nehmen Sie die Mutter, den vorderen Flansch (16) und die Schleifscheibe (9) und den hinteren Flansch (16) ab.

6. Reinigen Sie die Flansche.

7. Der Einbau erfolgt in umgekehrter Reihenfolge.



Zum Warten und Reinigen entfernte Sicherheitseinrichtungen müssen unbedingt wieder ordnungsgemäß angebracht und überprüft werden. Nur Originalteile verwenden. Andere Teile können zu unvorhersehbaren Schäden und Verletzungen führen.

Beachten Sie folgendes, um die Funktionsfähigkeit des Kettenschärfgerätes zu erhalten:

- Reinigen und ölen Sie regelmäßig alle beweglichen Teile (außer Antriebssystem).
- Entfernen Sie Staub und Verschmutzungen mit einem Lappen oder Pinsel.
- Säubern Sie die Lüftungsschlitze nach jedem Gebrauch.
- Reinigen Sie das Gerät nur trocken.
- Verwenden Sie für die Kunststoffteile keine Lösungsmittel (Benzin, Alkohol, usw.), da diese die Kunststoffteile beschädigen können.
- Verwenden Sie Niemals Fett! Verwenden Sie umweltverträgliches Öl.

**11.2 Lagerung**

Ziehen Sie den Netzstecker.

- Bewahren Sie unbenutzte Geräte an einem trockenen, verschlossenen Ort, außerhalb der Reichweite von Kindern auf.
- Führen Sie vor einer längeren Lagerung eine gründliche Reinigung durch.

12. Mögliche Störungen

Vor jeder Störungsbeseitigung:

- Schalten Sie das Gerät ab.
- Warten Sie den Stillstand der Schleifscheibe ab.
- Ziehen Sie den Netzstecker.

Störung	Mögliche Ursache	Beseitigung
Das Kettenschärfgerät läuft nicht	<ul style="list-style-type: none"> • Kein Strom oder Stromausfall • Verlängerungskabel defekt • Netzstecker, Motor oder Schalter defekt 	<ul style="list-style-type: none"> • Prüfen Sie die Stromversorgung, Steckdose, Sicherung • Überprüfen Sie das Verlängerungskabel, tauschen Sie ein defektes Kabel unverzüglich aus • Lassen Sie den Motor oder Schalter von einer autorisierten Elektrofachkraft überprüfen oder reparieren, bzw. durch Originalteile ersetzen
Das Kettenschärfgerät schleift mit Unterbrechungen	<ul style="list-style-type: none"> • Verlängerungskabel defekt • Interner Fehler • Ein-/Aus-Schalter defekt 	<ul style="list-style-type: none"> • Überprüfen Sie das Verlängerungskabel, tauschen Sie ein defektes Kabel unverzüglich aus • Wenden Sie sich an Ihren Händler • Wenden Sie sich an Ihren Händler

Die Schleifscheibe wird heiß	• Schleifscheibe ist stumpf oder defekt	• Ersetzen Sie die Schleifscheibe
Der Motor brummt, die Schleifscheibe bleibt stehen	• Die Schleifscheibe ist blockiert	• Entfernen Sie den Gegenstand
Ungewöhnliche Vibrationen	• Die Schleifscheibe ist defekt	• Ersetzen Sie die Schleifscheibe

13. Allgemeine Richtlinien

Siehe **Velleman® Service- und Qualitätsgarantie** am Ende dieser Bedienungsanleitung.

14. Eigenschaften

- 5 Schnittwinkel
- Schleifscheibe 100 x 10 x 4.5 mm (mitgeliefert)
- Option (nicht mitgeliefert):
 - Ersatz-Schleifscheibe 100 x 10 x 3.2 mm (Bestell-Nr. **EHBE777**)
 - Ersatz-Schleifscheibe 100 x 10 x 4.5 mm (Bestell-Nr. **EHBE999**)

15. Technische Daten

Stromversorgung	230 VAC, 50 Hz
Stromverbrauch	220 W
Motor	7500 U/Min.

Verwenden Sie dieses Gerät nur mit originellen Zubehörteilen. Velleman NV übernimmt keine Haftung für Schaden oder Verletzungen bei (falscher) Anwendung dieses Gerätes. Für mehr Informationen zu diesem Produkt und die neueste Version dieser Bedienungsanleitung, siehe www.toolland.eu. Alle Änderungen ohne vorherige Ankündigung vorbehalten.

© URHEBERRECHT

Velleman NV besitzt das Urheberrecht für diese Bedienungsanleitung. Alle weltweiten Rechte vorbehalten. Ohne vorherige schriftliche Genehmigung des Urhebers ist es nicht gestattet, diese Bedienungsanleitung ganz oder in Teilen zu reproduzieren, zu kopieren, zu übersetzen, zu bearbeiten oder zu speichern.

MANUAL DO UTILIZADOR

1. Introdução

Aos cidadãos da União Europeia

Importantes informações sobre o meio ambiente no que respeita a este produto



Este símbolo no aparelho ou na embalagem indica que, enquanto desperdícios, poderão causar danos no meio ambiente. Não coloque a unidade (ou as pilhas) no depósito de lixo municipal; deve dirigir-se a uma empresa especializada em reciclagem. Devolva o aparelho ao seu distribuidor ou ao posto de reciclagem local. Respeite a legislação local relativa ao meio ambiente.

Em caso de dúvidas, contacte com as autoridades locais para os resíduos.

Agradecemos o facto de ter escolhido a Toolland. Leia atentamente as instruções do manual antes de usar o aparelho. Caso o aparelho tenha sofrido algum dano durante o transporte não o instale e entre em contacto com o seu distribuidor.

2. Utilização Correta

- O afiador de corrente destina-se a ser utilizado no domínio do faça-você-mesmo e do artesanato. Na versão standard com disco já montado (100 x 3.2 x 10 mm, 63 m/s), o afiador só está indicado para afiar correntes usadas em trabalhos de amador (6.35 mm (1/4"), 9.52 mm (3/8") e em correntes 8.255 (0.325"). Existe um disco opcional (100 x 4.5 x 10 mm) para corte de correntes profissional.
- O dispositivo não pode ser usado para afiar outro tipo de objetos. Caso contrário, há o risco de acidentes.
- Use apenas os discos indicados para a máquina.
- Só se deve trabalhar com correntes que possam ser manuseadas em segurança.
- O uso pretendido inclui também o cumprimento das condições de funcionamento, manutenção e reparação indicadas pelo fabricante bem como o cumprimento das instruções de segurança.
- As normas de prevenção de acidentes relevantes para a utilização do aparelho, bem como as demais normas relativas à medicina e segurança do trabalho geralmente reconhecidos devem ser respeitadas.
- Qualquer utilização para além da indicada neste manual será considerada inapropriada. O fabricante não se responsabiliza por quaisquer danos resultantes de: a responsabilidade é do utilizador.
- As modificações arbitrárias do aparelho isentam o fabricante de qualquer responsabilidade relativamente a todo o tipo de danos que possam ocorrer.
- Apenas as pessoas familiarizadas com o funcionamento do aparelho e conscientes dos possíveis riscos estão autorizadas a preparar, trabalhar e lidar com o aparelho. As reparações devem ser levadas a cabo por um serviço de assistência autorizado.
- A máquina não deve ser usada num ambiente potencialmente explosivo ou ficar exposta à chuva.

3. Riscos Residuais

Os riscos residuais podem existir mesmo sendo cumpridas as regras de segurança mais importantes devido à utilização determinada pela finalidade pretendida.

Os riscos residuais podem ser minimizados se a informação relativa à segurança, a finalidade prevista e as instruções de funcionamento forem devidamente observadas.

Respeitar todas estas instruções e tomar o devido cuidado irá reduzir o risco de acidentes pessoais ou danos no equipamento.

- Risco de lesões nos dedos ou nas mãos ao tocar no disco em funcionamento.
- Risco de lesões nos dedos ou nas mãos ao tocar no disco em áreas que não estão protegidas.
- Risco de ferimentos devido à projecção de faíscas.
- Inalação de poeiras.
- Corrente elétrica eventualmente perigosa no caso de serem usados fios de ligação inadequados.
- Tocar em peças com corrente de componentes elétricos abertos.
- Pode ocorrer perda de audição no caso de se trabalhar com a máquina durante longos períodos de tempo sem proteção auditiva.

Além disso, apesar de tomadas todas as medidas cautelares, os riscos residuais não-óbvios podem ainda existir.

4. Instruções de segurança



Os afiadores de correntes podem ser perigosos se não utilizados corretamente. A utilização de ferramentas elétricas exige o cumprimento de regras básicas de segurança de modo a evitar risco de incêndio, choques elétricos e danos pessoais.



Antes de utilizar este produto tenha em conta todas as advertências. Deve ainda respeitar as medidas de prevenção sugeridas pela sua associação profissional e as disposições de segurança aplicáveis no respectivo país, a fim de se proteger a si mesmo e aos outros de possíveis lesões.



Partilhe as instruções de segurança com todas as pessoas que trabalharem com a máquina.



Guarde as normas de segurança num local protegido.

- Familiarize-se com o aparelho antes de o utilizar, lendo e interiorizando as instruções de funcionamento.
- Não use a máquina para finalidades às quais não se destina.
- Monte a máquina num pavimento nivelado e anti-derrapante.
- Evite posturas incorretas. Certifique-se de que se mantém de pé numa posição estável e que está sempre em equilíbrio.
- Preste atenção ao que está a fazer e seja cuidadoso. Trabalhe de forma sensata. Não utilize o aparelho se estiver cansado ou sob a influência de drogas ou álcool. Um breve momento de descuido pode causar um acidente.
- Use roupa de trabalho adequada.
 - Não use roupas largas ou jóias, pois podem ficar presas nas peças móveis.
 - Use luvas e sapatos anti-derrapantes.
 - Se tem cabelo comprido deve prendê-lo.
- Use acessórios de proteção tais como
 - óculos de segurança,
 - proteção auditiva,
 - máscara anti-pó.
- Mantenha o local de trabalho sempre organizado. A desarrumação pode originar acidentes.
- Tenha o ambiente envolvente em consideração:
 - Não use o aparelho num local húmido ou molhado.
 - Não deixe o aparelho exposto à chuva.
 - Não trabalhe sem boas condições de visibilidade. Arranje sempre boa iluminação.
- Nunca deixe o aparelho a funcionar sem vigilância.
- Pessoas com menos de 18 anos não devem utilizar este aparelho.
- Não deixe outras pessoas, especialmente crianças, tocar no aparelho ou no cabo. Mantenha-as afastadas do seu local de trabalho.
- Não sobrecarregue o aparelho. Trabalhará melhor e com mais segurança se não exceder os limites.
- Utilize o dispositivo apenas com o equipamento de segurança completo e devidamente instalado e não altere nada no dispositivo que possa comprometer a segurança.
- Não use qualquer tipo de disco que não esteja em conformidade com as características indicadas no presente manual de instruções.
- A utilização de outras ferramentas ou acessórios pode representar risco de acidentes pessoais.
- Discos desgastados e defeituosos (rachados, desnivelados, lascados, etc.)
- Assegurar uma fixação estável do disco.
- Desligue o aparelho e reitre a ficha da tomada de corrente sempre que
 - proceder a trabalhos de reparação
 - manutenção ou limpeza do aparelho,
 - eliminar problemas de funcionamento como o bloqueio do disco,
 - guardar o aparelho,
 - abandonar o aparelho, mesmo que por um curto período de tempo.
- Atenção: O disco gira muito rapidamente! Não tente fazer parar o disco com as mãos ou fazendo pressão lateralmente.
- Trate o seu afiador de correntes com muito cuidado:
 - Mantenha o aparelho livre de óleo ou gorduras.
 - Respeite as instruções de manutenção e as instruções para a troca de ferramentas.

- Verifique a existência de eventuais problemas:
 - Antes de continuar a usar a máquina, as proteções devem ser supervisionadas para garantir que funcionam perfeitamente e cumprem com a função a que se destinam.
 - Verifique se as peças móveis funcionam perfeitamente, se não emperram ou se estão danificadas. Todas as peças devem estar devidamente montadas e reunidas todas as condições para o bom funcionamento do aparelho.
 - A menos que seja indicado o contrário nas instruções de funcionamento, os dispositivos de proteção e componentes devem ser reparados ou substituídos por um posto de assistência (ou pelo fabricante).
 - Etiquetas de alerta e segurança que estejam ilegíveis ou danificadas devem ser substituídas de imediato.
- Não permita que qualquer tecla de ferramenta seja ativada. Antes de ligar, verifique sempre se as chaves e ferramentas de ajuste foram retiradas.
- Guarde o equipamento que não está a uso num local seco e seguro, fora do alcance das crianças.

5. Segurança Elétrica

- Desenho do cabo de ligação de acordo com IEC 60245 (H 07 RN-F) com uma seção central do perfil de pelo menos 1,5 mm³ para cabos com um comprimento até 25 m.
- Cabos de ligação longos e finos podem resultar numa quebra de potência. O motor já não alcança a sua potência máxima; a função dos dispositivos é reduzida.
- As fichas e acopladores nos cabos de ligação deve ser feitos de borracha, PVC não rígido ou outro material termoplástico da mesma estabilidade mecânica ou serem cobertos com este material.
- O conector do cabo de ligação deve ser à prova de respingos.
- Ao manusear o cabo de ligação verifique se este não provoca interferência, se não está comprimido, dobrado e se a ficha não apanha água.
- Desenrole o cabo completamente no caso de usar um enrolador de cabo.
- Não use o cabo para finalidades que não sejam as previstas. Proteja o cabo contra o calor, óleo ou superfícies afiadas. Não retire a ficha da tomada puxando pelo cabo.
- Proteja-se de possíveis choques elétricos. Evite tocar em componentes ligados à terra com seu corpo (por exemplo, tubos, aparelhos de aquecimento, fogões, geladeiras, etc.).
- Verifique regularmente os cabos de extensão e substitua-os caso estejam danificados.
- Não utilize cabos de ligação defeituosos.
- Não faça ligações elétricas provisórias.
- Não ignore os dispositivos de proteção nem os desative.



A instalação elétrica ou reparações dos componentes elétricos devem ser feitas por um electricista qualificado. As regulamentações locais - em especial relativas a medidas de proteção - têm de ser respeitadas.



As reparações de outras peças da máquina devem ser feitas pelo fabricante.



Use apenas peças, acessórios e componentes de acessórios originais. Podem ocorrer acidentes como consequência da utilização de outro tipo de peças. A Velleman nv não se responsabiliza pelos danos ou acidentes decorrentes desse facto.

6. Preparar a Utilização



Para tirar o máximo partido da utilização da máquina deve seguir estas instruções.

Tem de fazer o seguinte:

- Montar a mesa giratória.
- Instalar o aparelho com segurança.

6.1 Montar a Mesa Giratória

1. **A** Colocar a mesa giratória (1) por cima da mesa de suporte (2).
2. **B** Coloque a porca de fixação (7) sobre o parafuso de fixação.

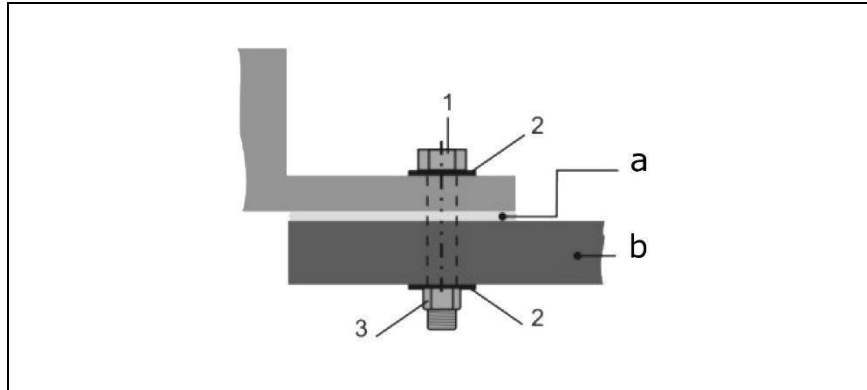
6.2 Montar o Afiador de Correntes na Bancada de Trabalho

C Para um manuseamento seguro, o aparelho tem de ser montado ao longo da borda da mesa ou bancada de trabalho (A). Use os três pontos de fixação, se possível. Mas certifique-se de que o recesso para a corrente da serra permanece livre e a porca de bloqueio permanece acessível.

Sugestão: Recomenda-se a colocação de um tapete em borracha (b) para reduzir o barulho e a vibração (não incluído).

Os acessórios necessários para a montagem não estão incluídos. Para tal, necessita do seguinte:

Posição	Descrição
1	parafuso hexagonal M8
2	anilha Ø 8 mm
3	porca hexagonal M8, bloqueio automático



Coloque o aparelho num local que cumpra com os seguintes requisitos:

- Seguro contra possível deslizamento
- Sem vibrações
- Nivelado
- Limpo e seco
- Sem risco de tropeçar
- Luz apropriada

7. Comissionamento

7.1 Ligação à Corrente

Compare a tensão indicada na placa de identificação do dispositivo com a corrente eléctrica e ligue o afiador de corrente à tomada correspondente e devidamente ligada à terra.



Motor de corrente alterna: Utilize uma ficha à prova de choque, tensão de rede de 230 V com disjuntor de corrente residual e 10 A fusíveis inertes.

Use um cabo de ligação ou cabo de extensão, respectivamente, com uma secção transversal de pelo menos 1,5 mm³.

7.2 Ligar



Não use qualquer aparelho que não tenha um interruptor para ligar e desligar. Os interruptores avariados devem ser substituídos ou reparados de imediato.



Pressione o interruptor on-off para I.

7.3 Desligar



Pressione o interruptor on-off para O.

8. Instruções de Funcionamento

8.1 Antes de Começar a Trabalhar

- Local de trabalho limpo e arrumado?
- O afiador de correntes está montado numa bancada de trabalho?
- Não deve começar a trabalhar com a máquina enquanto não tiver lido estas instruções de funcionamento, respeitando todas as indicações fornecidas e instalado a máquina conforme descrito.

8.2 Trabalhar com o Afiador de Correntes



D A capa de proteção (20) tem de cobrir o disco o mais possível. Para tal, desaperte as tampas roscadas (14) e ajuste a capa de proteção convenientemente.



Mantenha sempre as suas mãos a uma distância segura do disco.

- Use o disco que vem instalado de fábrica apenas para afiar correntes usadas em aplicações amadoras.
- Não utilize discos danificados ou cujo formato peça alterado.
- Comece a trabalhar apenas quando o disco atingir a sua velocidade máxima.
- Só devem ser utilizadas correntes que possam ser manuseadas em segurança.

9. Trabalhar com o Afiador de Correntes

9.1 Afiar Correntes



Antes de fazer quaisquer ajustes no aparelho:

- Desligue o aparelho
- Aguarde que o disco pare completamente
- Desligue a tomada

9.2 Afiar Todos os Elos de Corte

Para afiar a extremidade de um elo de corte, faça o seguinte:

1. Ajustar o ângulo de afiação: Solte a porca de bloqueio (7) para girar a placa giratória aproximadamente 30 ° e volte a apertar a porca de bloqueio.



As arestas dos elos de corte são normalmente afiadas a um ângulo entre 30 ° e 35 °.

2. **E** Desaperte o parafuso de fixação (3b) e coloque a corrente de corte na barra guia (6) entre as placas de guia (5).
3. **F** Dobre a batente da corrente (4) para baixo e puxe a corrente para trás até ao elo de corte ficar apoiado contra o batente.
4. **G** Puxe a cabeça de afiação (13) contra o elo de corte para o alinhamento exato. Definir a distância com a ajuda do parafuso de montagem (3a) de modo que o disco toque no elo de corte. Além disso, ajustar a profundidade de moagem com o parafuso de ajuste (8).
5. Aperte o parafuso de fixação (3-B) até que a corrente fique no devido lugar.
6. Lime com cuidado a aresta do elo de corte.



Para evitar danificar a corrente, afie o mais rapidamente possível e não remova mais material do que o necessário.

7. Lime as arestas seguintes executando os passos 5 e 6.

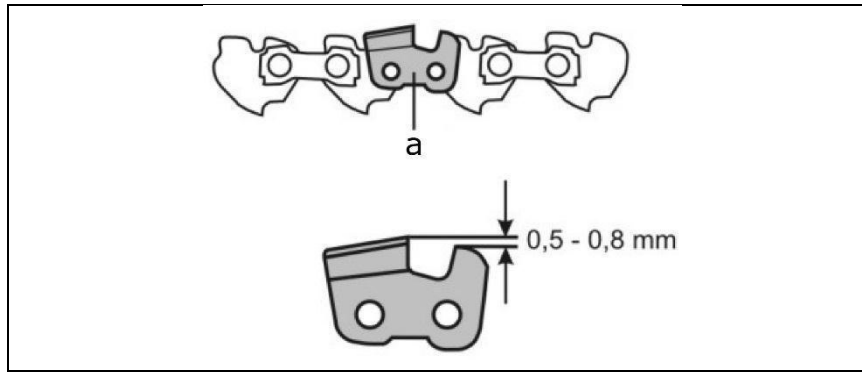


Marcar o primeiro elo de corte com uma marca de giz ou algo semelhante. Isso ajudará a evitar limar o mesmo elo de corte duas vezes.

8. **I** Rode a mesa giratória 30° do outro lado e desgaste as arestas de corte restantes como descrito acima.

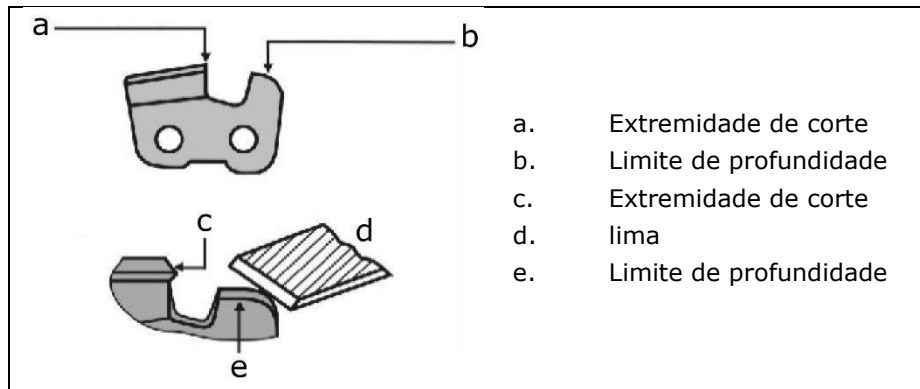
9.3 Definindo a Distância da Profundidade Limite

Uma vez que todas as arestas dos dos elos de corte (a) foram afiadas, a sua corrente ficará afiada, mas poderá não ser possível cortar. Por esta razão, deve ser sempre respeitada um distância limite de profundidade (= a distância entre o limite de profundidade e a extremidade de corte). Esta é normalmente de 0.5 a 0.8 mm.



Uma distância limite de profundidade demasiado grande representa um risco de retrocesso. Para este efeito, você deve verificar a distância de acordo com as especificações da sua corrente e registrá-la, se necessário.

Certifique-se de que estria a extremidade principal do seu limitador de profundidade. A forma original do elo de corte deve ser preservada.



10. Descrição

Veja as imagens **O** e **P** nas páginas 2 e 3 deste manual

1	Mesa giratória, completa
2	Mesa de suporte
3	Parafuso de montagem (com mola)
4	Batente da corrente
5	Placa guia
6	Calha guia
7	porca de bloqueio
8	Parafuso de ajuste (para a profundidade da afiação)
9	Disco (100 x 3.2 x 10 mm)
10	tampa

11	Pega
12	Interruptor on-off
13	Cabeça de moagem
14	Tampa roscada
15	Porca M8, auto-bloqueio
16	Flange
17	Etiqueta de segurança
18	1 par de escovas de carvão
19	Capa de proteção
20	porca

11. Manutenção e Conservação

Antes de qualquer trabalho de limpeza ou manutenção:



- Desligue o aparelho
- Aguarde que o disco pare completamente
- Desligue a ficha da tomada

11.1 Substituir o Disco



- Não utilize discos danificados ou que tenham perdido o seu formato original.
- Não utilize discos que não estejam em conformidade com as características indicadas neste manual.

1. **J** Desaperte as tampas roscadas (14) e retire a cobertura de proteção (20).
2. **K**, **L** Desaperte a porca (21) em ambos os lados da cobertura (10). Retire a cobertura.
3. Para bloquear o disco, introduza uma chave de fendas (Ø 4 mm) no orifício.

4. Desapertar a porca (15).



Rosca à direita.

5. Remova a porca, a flange dianteira (16), o disco (9) e a flange traseira (16).

6. Limpe as flanges.

7. Para voltar a montar repita a sequência inversamente.



Durante a manutenção e limpeza, os dispositivos de segurança que são retirados têm de ser, incondicionalmente, montados novamente no seu devido lugar. Use apenas peças originais. Outro tipo de peças pode provocar danos ou acidentes inesperados.

Faça atenção ao seguinte para manter o bom funcionamento do seu afiador de correntes:

- Limpe e lubrifique todas as peças móveis regularmente (excepto o sistema de acionamento).
- Retire a poeira e a sujidade com um pano ou uma escova.



- Limpe as ranhuras de ventilação após cada utilização.
- Limpe a máquina apenas a seco.
- Não use solventes nos componentes sintéticos (petróleo, álcool, etc.)
- Nunca use gordura! Use óleo em pulverizador amigo do ambiente.

11.2 Armazenamento



Desligue a ficha da tomada de corrente.

- Guarde o equipamento que não está a usar num local seco e seguro, fora do alcance das crianças.
- Limpe muito bem o aparelho antes de o guardar por um longo período de tempo.

12. Problemas Possíveis

Antes de solucionar qualquer problema:



- Desligue o aparelho
- Aguarde até o disco parar completamente
- Retire a ficha da tomada de corrente

Falha	Causa possível	Solução
O afiador de corrente não funciona	<ul style="list-style-type: none"> • Não tem energia • Cabo de extensão defeituoso • Ficha, interruptor do motor com defeito 	<ul style="list-style-type: none"> • Verifique a fonte de alimentação, a tomada e a proteção do fusível • Verifique o cabo de extensão, substitua o cabo defeituoso • Peça a um técnico credenciado para verificar o motor ou o interruptor ou que faça a substituição por peças originais
O aparelho funciona mas com interrupções	<ul style="list-style-type: none"> • Cabo de extensão defeituoso • Falha interna • Interruptor on-off defeituoso 	<ul style="list-style-type: none"> • Verifique o cabo de extensão, substitua o cabo defeituoso • Contacte o seu fornecedor • Contacte o seu fornecedor
O disco fica quente	<ul style="list-style-type: none"> • Disco emperrado ou defeituoso 	<ul style="list-style-type: none"> • Substitua o disco
O motor faz um barulho anormal, o disco pára	<ul style="list-style-type: none"> • O disco está bloqueado 	<ul style="list-style-type: none"> • Remover objeto
Vibrações anormais	<ul style="list-style-type: none"> • Disco com defeito 	<ul style="list-style-type: none"> • Substitua o disco

13. Normas gerais

Consulte a **Garantia de serviço e qualidade Velleman®** na parte final deste manual do utilizador.

14. Características

- 5 ângulos de corte
- pedra 100 x 10 x 4.5 mm (incluída)
- opções (não incluídas):
 - pedra sobressalente 100 x 10 x 3.2 mm (encomendar n.º **EHBE777**)
 - pedra sobressalente 100 x 10 x 4.5 mm (encomendar n.º **EHBE999**)

15. Especificações

alimentação	230 VAC, 50 Hz
consumo	220 W
Motor	7500 rpm

Utilize este aparelho apenas com acessórios originais. A Velleman NV não será responsável por quaisquer danos ou lesões causados pelo uso (indevido) do aparelho. Para mais informação sobre este produto e para aceder à versão mais recente deste manual do utilizador, visite a nossa página www.toolland.eu. Podem alterar-se as especificações e o conteúdo deste manual sem aviso prévio.

© DIREITOS DE AUTOR

A Velleman NV detém os direitos de autor deste manual do utilizador. Todos os direitos mundiais reservados. É estritamente proibido reproduzir, traduzir, copiar, editar e gravar este manual do utilizador ou partes deste sem prévia autorização escrita por parte da detentora dos direitos.

EN**Velleman® Service and Quality Warranty**

Since its foundation in 1972, Velleman® acquired extensive experience in the electronics world and currently distributes its products in over 85 countries.

All our products fulfil strict quality requirements and legal stipulations in the EU. In order to ensure the quality, our products regularly go through an extra quality check, both by an internal quality department and by specialised external organisations. If, all precautionary measures notwithstanding, problems should occur, please make appeal to our warranty (see guarantee conditions).

General Warranty Conditions Concerning Consumer Products (for EU):

- All consumer products are subject to a 24-month warranty on production flaws and defective material as from the original date of purchase.
- Velleman® can decide to replace an article with an equivalent article, or to refund the retail value totally or partially when the complaint is valid and a free repair or replacement of the article is impossible, or if the expenses are out of proportion. You will be delivered a replacing article or a refund at the value of 100% of the purchase price in case of a flaw occurred in the first year after the date of purchase and delivery, or a replacing article at 50% of the purchase price or a refund at the value of 50% of the retail value in case of a flaw occurred in the second year after the date of purchase and delivery.

• Not covered by warranty:

- all direct or indirect damage caused after delivery to the article (e.g. by oxidation, shocks, falls, dust, dirt, humidity...), and by the article, as well as its contents (e.g. data loss), compensation for loss of profits;
- consumable goods, parts or accessories that are subject to an aging process during normal use, such as batteries (rechargeable, non-rechargeable, built-in or replaceable), lamps, rubber parts, drive belts... (unlimited list);
- flaws resulting from fire, water damage, lightning, accident, natural disaster, etc....;
- flaws caused deliberately, negligently or resulting from improper handling, negligent maintenance, abusive use or use contrary to the manufacturer's instructions;
- damage caused by a commercial, professional or collective use of the article (the warranty validity will be reduced to six (6) months when the article is used professionally);
- damage resulting from an inappropriate packing and shipping of the article;
- all damage caused by modification, repair or alteration performed by a third party without written permission by Velleman®.
- Articles to be repaired must be delivered to your Velleman® dealer, solidly packed (preferably in the original packaging), and be completed with the original receipt of purchase and a clear flaw description.
- Hint: In order to save on cost and time, please reread the manual and check if the flaw is caused by obvious causes prior to presenting the article for repair. Note that returning a non-defective article can also involve handling costs.
- Repairs occurring after warranty expiration are subject to shipping costs.
- The above conditions are without prejudice to all commercial warranties.

The above enumeration is subject to modification according to the article (see article's manual).

NL**Velleman® service- en kwaliteitsgarantie**

Velleman® heeft sinds zijn oprichting in 1972 een ruime ervaring opgebouwd in de elektronica wereld en verdeelt op dit moment producten in meer dan 85 landen. Al onze producten beantwoorden aan strikte kwaliteitseisen en aan de wettelijke bepalingen geldig in de EU. Om de kwaliteit te waarborgen, ondergaan onze producten op regelmatige tijdstippen een extra kwaliteitscontrole, zowel door onze eigen kwaliteitsafdeling als door externe gespecialiseerde organisaties. Mocht er ondanks deze voorzorgen toch een probleem optreden, dan kunt u steeds een beroep doen op onze waarborg (zie waarborgvoorwaarden).

Algemene waarborgvoorwaarden consumentengoederen (voor Europese Unie):

- Op alle consumentengoederen geldt een garantieperiode van 24 maanden op productie- en materiaalfouten en dit vanaf de oorspronkelijke aankoopdatum.
- Indien de klacht gegrond is en een gratis reparatie of vervanging van een artikel onmogelijk is of indien de kosten hiervoor buiten verhouding zijn, kan Velleman® beslissen het desbetreffende artikel te vervangen door een gelijkwaardig artikel of de aankoopsom van het artikel gedeeltelijk of volledig terug te betalen. In dat geval krijgt u een vervangend product of terugbetaling ter waarde van 100% van de aankoopsom bij ontdekking van een gebrek tot één jaar na aankoop en levering, of een vervangend product tegen 50% van de kostprijs of terugbetaling van 50 % bij ontdekking na één jaar tot 2 jaar.

• Valt niet onder waarborg:

- alle rechtstreekse of onrechtstreekse schade na de levering veroorzaakt aan het toestel (bv. door oxidatie, schokken, val, stof, vuil, vocht...), en door het toestel, alsook zijn inhoud (bv. verlies van data), vergoeding voor eventuele winstderving.
- verbruiksgoederen, onderdelen of hulpstukken die onderhevig zijn aan veroudering door normaal gebruik zoals bv. batterijen (zowel oplaadbare als niet-oplaadbare, ingebouwd of vervangbaar), lampen, rubberen onderdelen, aandrijfriemen... (onbepaalde lijst).
- defecten ten gevolge van brand, waterschade, bliksem, ongevallen, natuurrampen, enz.
- defecten veroorzaakt door opzet, nalatigheid of door een onoordeelkundige behandeling, slecht onderhoud of abnormaal

gebruik of gebruik van het toestel strijdig met de voorschriften van de fabrikant.

- schade ten gevolge van een commercieel, professioneel of collectief gebruik van het apparaat (bij professioneel gebruik wordt de garantieperiode herleid tot 6 maanden).
- schade veroorzaakt door onvoldoende bescherming bij transport van het apparaat.
- alle schade door wijzigingen, reparaties of modificaties uitgevoerd door derden zonder toestemming van Velleman®.
- Toestellen dienen ter reparatie aangeboden te worden bij uw Velleman®-verdelers. Het toestel dient verzegeld te zijn van het oorspronkelijke aankoopbewijs. Zorg voor een degelijke verpakking (bij voorkeur de originele verpakking) en voeg een duidelijke foutomschrijving bij.
- Tip: alvorens het toestel voor reparatie aan te bieden, kijk nog eens na of er geen voor de hand liggende reden is waarom het toestel niet naar behoren werkt (zie handleiding). Op deze wijze kunt u kosten en tijd besparen. Denk eraan dat er ook voor niet-defecte toestellen een kost voor controle aangerekend kan worden.
- Bij reparaties buiten de waarborgperiode zullen transportkosten aangerekend worden.
- Elke commerciële garantie laat deze rechten onverminderd.

Bovenstaande opsomming kan eventueel aangepast worden naargelang de aard van het product (zie handleiding van het betreffende product).

FR**Garantie de service et de qualité Velleman®**

Depuis 1972, Velleman® a gagné une vaste expérience dans le secteur de l'électronique et est actuellement distributeur dans plus de 85 pays.

Tous nos produits répondent à des exigences de qualité rigoureuses et à des dispositions légales en vigueur dans l'UE. Afin de garantir la qualité, nous soumettons régulièrement nos produits à des contrôles de qualité supplémentaires, tant par notre propre service qualité que par un service qualité externe. Dans le cas improbable d'un défaut malgré toutes les précautions, il est possible d'invoquer notre garantie (voir les conditions de garantie).

Conditions générales concernant la garantie sur les produits grand public (pour l'UE) :

- tout produit grand public est garanti 24 mois contre tout vice de production ou de matériaux à dater du jour d'acquisition effective ;
- si la plainte est justifiée et que la réparation ou le remplacement d'un article est jugé impossible, ou lorsque les coûts s'avèrent disproportionnés, Velleman® s'autorise à remplacer ledit article par un article équivalent ou à rembourser la totalité ou une partie du prix d'achat. Le cas échéant, il vous sera consenti un article de remplacement ou le remboursement complet du prix d'achat lors d'un défaut dans un délai de 1 an après l'achat et la livraison, ou un article de remplacement moyennant 50% du prix d'achat ou le remboursement de 50% du prix d'achat lors d'un défaut après 1 à 2 ans.

• sont par conséquent exclus :

- tout dommage direct ou indirect survenu à l'article après livraison (p.ex. dommage lié à l'oxydation, choc, chute, poussière, sable, impureté...) et provoqué par l'appareil, ainsi que son contenu (p.ex. perte de données) et une indemnisation éventuelle pour perte de revenus ;
- toute pièce ou accessoire nécessitant un remplacement causé par un usage normal comme p.ex. piles (rechargeables comme non rechargeables, intégrées ou remplaçables), ampoules, pièces en caoutchouc, courroies... (liste illimitée) ;
- tout dommage qui résulte d'un incendie, de la foudre, d'un accident, d'une catastrophe naturelle, etc. ;
- out dommage provoqué par une négligence, volontaire ou non, une utilisation ou un entretien incorrect, ou une utilisation de l'appareil contraire aux prescriptions du fabricant ;
- tout dommage à cause d'une utilisation commerciale, professionnelle ou collective de l'appareil (la période de garantie sera réduite à 6 mois lors d'une utilisation professionnelle) ;
- tout dommage à l'appareil qui résulte d'une utilisation incorrecte ou différente que celle pour laquelle il a été initialement prévu comme décrit dans la notice ;
- tout dommage engendré par un retour de l'appareil emballé dans un conditionnement non ou insuffisamment protégé.
- toute réparation ou modification effectuée par une tierce personne sans l'autorisation explicite de SA Velleman® ; - frais de transport de et vers Velleman® si l'appareil n'est plus couvert sous la garantie.
- toute réparation sera fournie par l'endroit de l'achat. L'appareil doit nécessairement être accompagné du bon d'achat d'origine et être dûment conditionné (de préférence dans l'emballage d'origine avec mention du défaut) ;
- tuyau : il est conseillé de consulter la notice et de contrôler câbles, piles, etc. avant de retourner l'appareil. Un appareil retourné jugé défectueux qui s'avère en bon état de marche pourra faire l'objet d'une note de frais à charge du consommateur ;
- une réparation effectuée en-dehors de la période de garantie fera l'objet de frais de transport ;
- toute garantie commerciale ne porte pas atteinte aux conditions susmentionnées.

La liste susmentionnée peut être sujette à une complémentacion selon le type de l'article et être mentionnée dans la notice d'emploi.

ES**Garantía de servicio y calidad Velleman®**

Desde su fundación en 1972 Velleman® ha adquirido una amplia experiencia como distribuidor en el sector de la electrónica en más de 85 países. Todos nuestros productos responden a normas de calidad rigurosas y disposiciones legales vigentes en la UE. Para garantizar la calidad, sometemos nuestros productos regularmente a controles de calidad adicionales, tanto a través de nuestro propio servicio de calidad como de un servicio de calidad externo. En el caso

improbable de que surgieran problemas a pesar de todas las precauciones, es posible recurrir a nuestra garantía (véase las condiciones de garantía).

Condiciones generales referentes a la garantía sobre productos de venta al público (para la Unión Europea):

- Todos los productos de venta al público tienen un período de garantía de 24 meses contra errores de producción o errores en materiales desde la adquisición original;
- Si la queja está fundada y si la reparación o sustitución de un artículo no es posible, o si los gastos son desproporcionados, Velleman® autoriza reemplazar el artículo por un artículo equivalente o reembolsar la totalidad o una parte del precio de compra. En este caso, usted recibirá un artículo de recambio o el reembolso completo del precio de compra si encuentra algún fallo hasta un año después de la compra y entrega, o un artículo de recambio al 50% del precio de compra o el reembolso del 50% del precio de compra si encuentra un fallo después de 1 año y hasta los 2 años después de la compra y entrega.

Por consiguiente, están excluidos entre otras cosas:

- todos los daños causados directa o indirectamente al aparato (p.ej. por oxidación, choques, caída,...) y a su contenido (p.ej. pérdida de datos) después de la entrega y causados por el aparato, y cualquier indemnización por posible pérdida de ganancias;
- partes o accesorios, que estén expuestos al desgaste causado por un uso normal, como por ejemplo baterías (tanto recargables como no recargables, incorporadas o reemplazables), bombillas, partes de goma, etc. (lista ilimitada);
- defectos causados por un incendio, daños causados por el agua, rayos, accidentes, catástrofes naturales, etc.;
- defectos causados a conciencia, descuido o por malos tratos, un mantenimiento inapropiado o un uso anormal del aparato contrario a las instrucciones del fabricante;
- daños causados por un uso comercial, profesional o colectivo del aparato (el período de garantía se reducirá a 6 meses con uso profesional);
- daños causados por un uso incorrecto o un uso ajeno al que está previsto el producto inicialmente como está descrito en el manual del usuario;
- daños causados por una protección insuficiente al transportar el aparato.
- daños causados por reparaciones o modificaciones efectuadas por una tercera persona sin la autorización explícita de Velleman®;
- se calcula gastos de transporte de y a Velleman® si el aparato ya no está cubierto por la garantía.
- Cualquier artículo que tenga que ser reparado tendrá que ser devuelto a su distribuidor Velleman®. Devuelva el aparato con la factura de compra original y transportélo en un embalaje sólido (preferentemente el embalaje original). Incluya también una buena descripción del fallo;
- Consejo: Lea el manual del usuario y controle los cables, las pilas, etc. antes de devolver el aparato. Si no se encuentra un defecto en el artículo los gastos podrían correr a cargo del cliente;
- Los gastos de transporte correrán a cargo del cliente para una reparación efectuada fuera del período de garantía.
- Cualquier gesto comercial no disminuye estos derechos.

La lista previamente mencionada puede ser adaptada según el tipo de artículo (véase el manual del usuario del artículo en cuestión).

DE

Velleman® Service- und Qualitätsgarantie

Seit der Gründung in 1972 hat Velleman® sehr viel Erfahrung als Verteiler in der Elektronikwelt in über 85 Ländern aufgebaut. Alle Produkte entsprechen den strengen Qualitätsforderungen und gesetzlichen Anforderungen in der EU. Um die Qualität zu gewährleisten werden unsere Produkte regelmäßig einer zusätzlichen Qualitätskontrolle unterworfen, sowohl von unserer eigenen Qualitätsabteilung als auch von externen spezialisierten Organisationen. Sollten, trotz aller Vorsichtsmaßnahmen, Probleme auftreten, nehmen Sie bitte die Garantie in Anspruch (siehe Garantiebedingungen).

Allgemeine Garantiebedingungen in Bezug auf Konsumgüter (für die Europäische Union):

- Alle Produkte haben für Material- oder Herstellungsfehler eine Garantieperiode von 24 Monaten ab Verkaufsdatum.
- Wenn die Klage berechtigt ist und falls eine kostenlose Reparatur oder ein Austausch des Gerätes unmöglich ist, oder wenn die Kosten dafür unverhältnismäßig sind, kann Velleman® sich darüber entscheiden, dieses Produkt durch ein gleiches Produkt zu ersetzen oder die Kaufsumme ganz oder teilweise zurückzuzahlen. In diesem Fall erhalten Sie ein Ersatzprodukt oder eine Rückzahlung im Werte von 100% der Kaufsumme im Falle eines Defektes bis zu 1 Jahr nach Kauf oder Lieferung, oder Sie bekommen ein Ersatzprodukt im Werte von 50% der Kaufsumme oder eine Rückzahlung im Werte von 50 % im Falle eines Defektes im zweiten Jahr.
- **Von der Garantie ausgeschlossen sind:**
 - alle direkten oder indirekten Schäden, die nach Lieferung am Gerät und durch das Gerät verursacht werden (z.B. Oxidation, Stöße, Fall, Staub, Schmutz, Feuchtigkeit, ...), sowie auch der Inhalt (z.B. Datenverlust), Entschädigung für eventuellen Gewinnausfall.
 - Verbrauchsgüter, Teile oder Zubehörteile, die durch normalen Gebrauch dem Verschleiß ausgesetzt sind, wie z.B. Batterien (nicht nur aufladbare, sondern auch nicht aufladbare, eingebaute oder ersetzbare), Lampen, Gummiteile, Treibriemen, usw. (unbeschränkte Liste).
 - Schäden verursacht durch Brandschaden, Wasserschaden, Blitz, Unfälle, Naturkatastrophen, usw.
 - Schäden verursacht durch absichtliche, nachlässige oder unsachgemäße Anwendung, schlechte Wartung, zweckfremdete Anwendung oder Nichtbeachtung von Benutzerhinweisen in der Bedienungsanleitung.

- Schäden infolge einer kommerziellen, professionellen oder kollektiven Anwendung des Gerätes (bei gewerblicher Anwendung wird die Garantieperiode auf 6 Monate zurückgeführt).

- Schäden verursacht durch eine unsachgemäße Verpackung und unsachgemäßen Transport des Gerätes.
 - alle Schäden verursacht durch unautorisierte Änderungen, Reparaturen oder Modifikationen, die von einem Dritten ohne Erlaubnis von Velleman® vorgenommen werden.
 - Im Fall einer Reparatur, wenden Sie sich an Ihren Velleman®-Verteiler. Legen Sie das Produkt ordnungsgemäß verpackt (vorzugsweise die Originalverpackung) und mit dem Original-Kaufbeleg vor. Fügen Sie eine deutliche Fehlerbeschreibung hinzu.
 - Hinweis: Um Kosten und Zeit zu sparen, lesen Sie die Bedienungsanleitung nochmals und überprüfen Sie, ob es keinen auf der Hand liegenden Grund gibt, ehe Sie das Gerät zur Reparatur zurückschicken. Stellt sich bei der Überprüfung des Gerätes heraus, dass kein Geräteschaden vorliegt, könnte dem Kunden eine Untersuchungspauschale berechnet.
 - Für Reparaturen nach Ablauf der Garantiefrist werden Transportkosten berechnet.
 - Jede kommerzielle Garantie lässt diese Rechte unberührt.
- Die oben stehende Aufzählung kann eventuell angepasst werden gemäß der Art des Produktes (siehe Bedienungsanleitung des Gerätes).**

PT

Garantia de serviço e de qualidade Velleman®

Desde a sua fundação em 1972 Velleman® tem adquirido uma ampla experiência no sector da eletrónica com uma distribuição em mais de 85 países.

Todos os nossos produtos respondem a exigências rigorosas e a disposições legais em vigor na UE. Para garantir a qualidade, submetemos regularmente os nossos produtos a controlos de qualidade suplementares, com o nosso próprio serviço qualidade como um serviço de qualidade externo. No caso improvável de um defeito mesmo com as nossas precauções, é possível invocar a nossa garantia. (ver as condições de garantia).

Condições gerais com respeito a garantia sobre os produtos grande público (para a UE):

- qualquer produto grande público é garantido 24 mês contra qualquer vício de produção ou materiais a partir da data de aquisição efectiva;
- no caso da reclamação ser justificada e que a reparação ou substituição de um artigo é impossível, ou quando os custos são desproporcionados, Velleman® autoriza-se a substituir o dito artigo por um artigo equivalente ou a devolver a totalidade ou parte do preço de compra. Em outro caso, será consentido um artigo de substituição ou devolução completa do preço de compra no caso de um defeito no prazo de 1 ano depois da data de compra e entrega, ou um artigo de substituição pagando o valor de 50% do preço de compra ou devolução de 50% do preço de compra para defeitos depois de 1 a 2 anos.

• estão por consequência excluídos:

- todos os danos directos ou indirectos depois da entrega do artigo (p.ex. danos ligados a oxidação, choques, quedas, poeiras, areias, impurezas...) e provocado pelo aparelho, como o seu conteúdo (p.ex. perda de dados) e uma indemnização eventual por perda de receitas;
- consumíveis, peças ou acessórios sujeitos a desgaste causado por um uso normal, como p.ex. pilhas (recarregáveis, não recarregáveis, incorporadas ou substituíveis), lâmpadas, peças em borracha correias... (lista ilimitada);
- todos os danos que resultem de um incêndio, raios, de um acidente, de uma catástrofe natural, etc.;
- danos provocados por negligência, voluntária ou não, uma utilização ou manutenção incorrecta, ou uma utilização do aparelho contrária as prescrições do fabricante;
- todos os danos por causa de uma utilização comercial, profissional ou colectiva do aparelho (o período de garantia será reduzido a 6 meses para uma utilização profissional);
- todos os danos no aparelho resultando de uma utilização incorrecta ou diferente daquela inicialmente prevista e descrita no manual de utilização;
- todos os danos depois de uma devolução não embalada ou mal protegida ao nível do acondicionamento.
- todas as reparações ou modificações efectuadas por terceiros sem a autorização de SA Velleman®;
- despesas de transporte de e para Velleman® se o aparelho não estiver coberto pela garantia.
- qualquer reparação será fornecida pelo local de compra. O aparelho será obrigatoriamente acompanhado do talão ou factura de origem e bem acondicionado (de preferência dentro da embalagem de origem com indicação do defeito ou avaria);
- dica: aconselha-mos a consulta do manual e controlar cabos, pilhas, etc. antes de devolver o aparelho. Um aparelho devolvido que estiver em bom estado será cobrado despesas a cargo do consumidor;
- uma reparação efectuada fora da garantia, será cobrado despesas de transporte;
- qualquer garantia comercial não prevalece as condições aqui mencionadas.

A lista pode ser sujeita a um complemento conforme o tipo de artigo e estar mencionada no manual de utilização.

Made in PRC
Imported for Toolland by Velleman nv
Legen Heirweg 33, 9890 Gavere, Belgium
www.toolland.eu