

EN User Manual  
 NL Gebruiksaanwijzing  
 FR Mode d'emploi  
 ES Manual del usuario  
 DE Gebrauchsanweisung  
 PT Manual do utilizador

**Toolland**  
 a land of possibilities

2 Years  
 Guaranteed

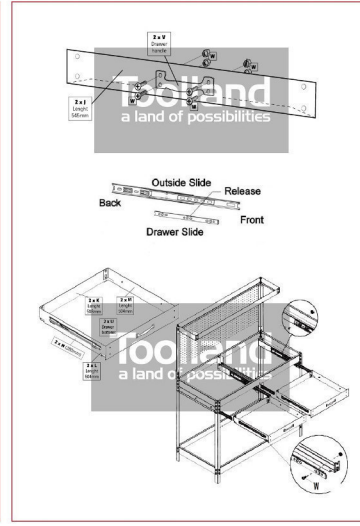
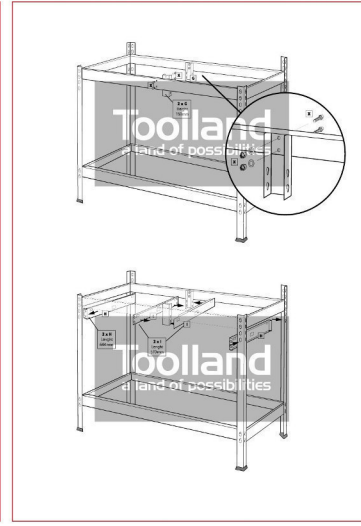
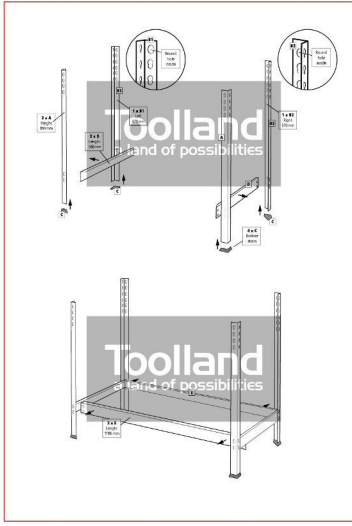


MP80

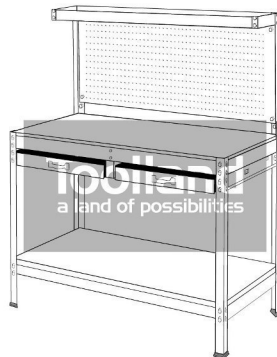
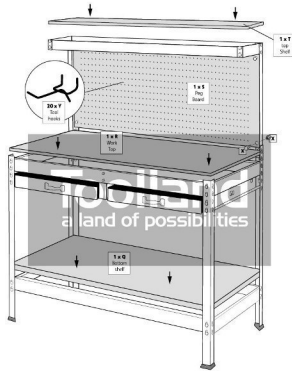
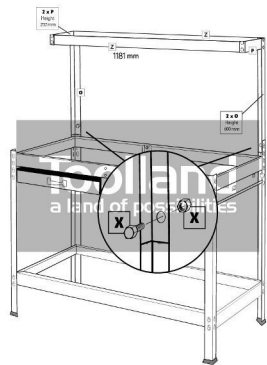


Made in P.R.C.

N°	Description of components	Qty
A	Left & right front post (894mm)	2
B1	Left rear post (970mm)	1
B2	Right rear post (970mm)	1
C	PVC feet protectors	4
D	Side beams (586mm)	4
E	Bottom & top beams (1186mm)	2
F	Front & rear shelf beam (1186mm)	2
G	Drawer mounts, front & rear (150mm)	2
H	Drawer mounts, left & right (644 mm)	2
I	Drawer mounts, center left & center right (570mm)	2
J	Front panel for drawer (545mm)	2
K	Rear panel for drawer (508mm)	2
L	Left side panel for drawer (504mm)	2
M	Right side panel for drawer (504mm)	2
N	Drawer mounts slide rails (380mm)	2
O	Left & right extension post (600mm)	2
P	Left & right top shelf beams (237mm)	2
Q	Bottom shelf (1198 x 598 x 9mm)	1
R	Work top (1196 x 592 x 15mm)	1
S	Peg Board (1192 x 545 x 4.5mm)	1
T	Top shelf (1192 x 207 x 6mm)	1
U	Drawer bottoms (516 x 443 x 4.5mm)	2
V	Drawer handle	2
W	M4 x 10mm - Drawer handle bolts (8 pcs.) & nuts (8 pcs.)	24
X	M6 x 12mm - bolts (8 pcs.), nuts (8 pcs.) & washers (8 pcs.)	8
Y	Tool hooks	20
Z	Top & long beams (1181mm)	2



14.5x21cm



**Wolframid Bonting and Quality Warranty**  
 Wolframid Bonting is a...  
**Warranty**  
 We warrant that the...  
**Warranty**  
 We warrant that the...  
**Warranty**  
 We warrant that the...

**Wolframid Bonting and Quality Warranty**  
 Wolframid Bonting is a...  
**Warranty**  
 We warrant that the...  
**Warranty**  
 We warrant that the...  
**Warranty**  
 We warrant that the...

Printed and Published by Toolland in P.R.C.  
 Leguán, Henares, 41, Madrid, Spain  
 www.toolland.es