

CMD02

METAL DETECTOR
DÉTECTEUR DE MÉTAUX
METAALDETECTOR
DETECTOR DE METALES
METALLDETEKTOR
DETECTOR DE METAIS



USER MANUAL
NOTICE D'EMPLOI
GEBRUIKERSHANDLEIDING
MANUAL DEL USUARIO
BEDIENUNGSANLEITUNG
MANUAL DE INSTRUÇÕES



CMD02 – METAL DETECTOR

1. Features & Applications

To all residents of the European Union

Important environmental information about this product



This symbol on the device or the package indicates that disposal of the device after its lifecycle could harm the environment.

Do not dispose of the unit (or batteries) as unsorted municipal waste; it should be taken to a specialized company for recycling.

This device should be returned to your distributor or to a local recycling service.

Respect the local environmental rules.

If in doubt, contact your local waste disposal authorities.

Thank you for buying the **CMD02** metal detector. Read this manual carefully before bringing the device into service.

With your **CMD02** metal detector, you can search for coins, relics, jewellery, gold, and silver just about everywhere. The detector is easy to use. Its features include:

LCD Display : indicates the probable type of metal with an arrow, the depth of the target, DISC/NOTCH range, the level of sensitivity, the operating mode, and low battery indication.

Three Tone Audio Discrimination : sounds distinctive tones for different types of metals.

Notch : ignores junk metal and finds valuable items by setting the disc and notch range.

Headphone Jack : lets you connect headphones (not supplied) and operate without trouble

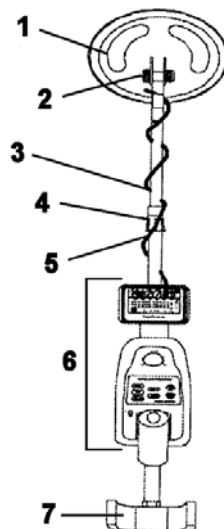
Waterproof Search Coil : use the detector even if you must put it under water.

Note: Your metal detector requires two 9-volt alkaline batteries (not supplied)

2. Preparation

a) Assembling the detector

- 1- search coil
- 2- search coil fixation system
- 3- stem
- 4- lock nut
- 5- cable
- 6- control housing
- 7- arm support



Assembling your detector is easy and requires no special tools. Just follow these steps:

1. Remove the fixation system of the search coil (nut and bolt system). Insert the stem and align the holes on the search coil bracket and the stem. Push the bolt through the holes and tighten with the nut knob.

CAUTION: Do not tighten the search coil fixation too hard. Don't use tools such as pliers to tighten it.

2. Insert the arm support into the end of the stem and tighten the lock screw at the back of the control housing.

3. Turn the stem's lock nut clockwise until it loosens.

4. Adjust the stem length to have the search coil level with and about ½ to 2 inches above the ground when you stand upright with the detector in your hand, your arm relaxed at your side.

5. Turn the stem's lock nut counter-clockwise to lock it in place.

6. Wind the search coil cable around the stem. Leave enough slack in the cable. Insert the search coil's plug into the search coil jack on the detector's control housing.
CAUTION: The search coil's plug fits into the jack only one way. Do not force the plug or you could damage it.
7. Loosen the search coil fixation knob, adjust the search coil to the desired angle and tighten the nut knob.

b) Installing the batteries

1. Make sure the POWER switch is turned off.
2. At the back of the control housing, slide the battery covers off away from the middle.
3. Place a 9V battery in each battery compartment matching the polarity symbols (+ and -) marked inside.
4. Slide the battery covers back on.

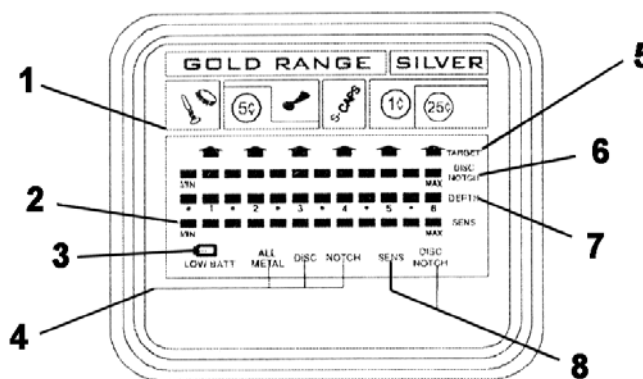
About batteries

- Use only fresh alkaline batteries of required size & voltage
- Do not mix old and new batteries or different types of batteries
- If you don't plan to use the device for a week or longer, remove the batteries.
 Batteries can leak chemicals that can destroy electronic parts.
- To extend battery life, switch the left and right battery after 3-4 hours of operation.
- Dispose of old batteries promptly and properly. Never bury or burn them.

3. Functions and indications

a) display

- 1- metal icons
- 2- sensitivity level
- 3- low-battery indicator
- 4- operation mode indicators
- 5- target indicators
- 6- disc/notch range
- 7- depth indicator
- 8- sensitivity or disc/notch control indication



The target indicator consists of an LCD display and target icons. When the detector locates an object, an arrow appears below the target icon of the type of material that's probably being detected. The depth of the target is also displayed.

- If the detector receives a strong signal, the arrow appears steadily. If the signal is weak, the arrow blinks or does not appear.
- If detecting ceases for about 5 seconds, the arrow will disappear.
- The target icons are only visual references to help you decide whether or not an item is worth investigating.

GOLD RANGE:

- Iron/foil (screw icon): indicates that the target is probably iron or foil. Some oxidized iron might actually register somewhere within the SILVER range.
- Nickel (5¢ icon): indicated that the target is probably a nickel coin.
- Pull tab (pull tab icon): indicated that the target is probably a pull tab from an aluminium can. Some rough gold items might register within the pull tab category.
- S-CAPS: indicates that the target is probably a type of metal like a bottle cap with whorl. Some small gold items might register within this category.
- Zinc/copper (1¢ icon): indicated that the target might be a zinc or copper coin. Some larger gold items might register within the 1¢ category.

SILVER RANGE (1¢/25¢ icon):

indicates that the object is probably a silver coin. Some large aluminium objects might register within the 25¢/1¢ category.

b) tones

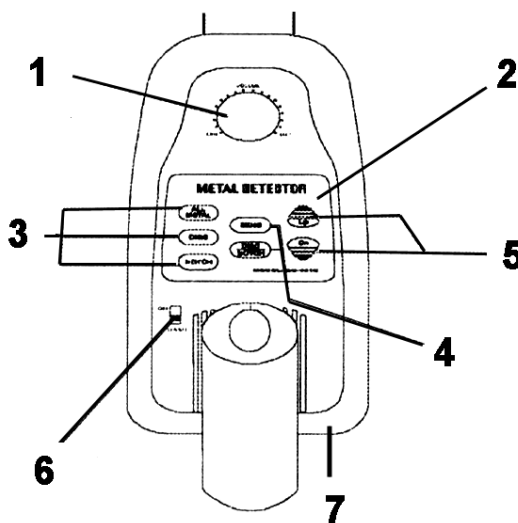
If the detector is set to the ALL METAL mode, it sounds a single tone when it detects any type of metal.

If you set the detector to the DISC or NOTCH modes, the built-in audio identification system sounds a unique audio tone for each of the three categories of metal. This makes it easier to identify the metal being detected.

- The detector sounds a low tone when it detects small gold objects, a nail, a bottle cap or nickel.
- The medium tone is for aluminium pull tabs, zinc or copper items. Depending on the alloys used to make them, about 15 percent of gold rings cause the detector to sound a medium tone.
- A high tone is for brass or silver items. Highly oxidized iron may generate a medium or high tone.

4. Operation

- 1- volume knob
- 2- function panel
- 3- operation mode buttons
- 4- regulation mode buttons
- 5- regulation buttons: 'Up' and 'Dn' (down)
- 6- power switch
- 7- headphones jack



a) Turning on the detector

First turn the volume knob (1) to 12 o'clock (halfway between min and max).

Slide the power switch (6) to ON. All symbols are displayed on the LCD screen. The detector sounds a high, medium and low tone respectively.

After about 2 seconds, the detector automatically goes ALL METAL mode, with the regulation buttons (5) available for the sensitivity (SENS) adjustment. The standard value of SENS is 5.

b) Setting the operating mode

The detector has three operating modes: ALL METAL, DISC and NOTCH. You can select the desired mode by pressing the corresponding key (3) at the left of the function panel. Whatever the mode, upon detecting something, the detector will always sound a tone and indicate the probable type of metal by means of an arrow underneath the icons, and also indicate the depth of the object.

- ALL METAL: used for detecting any type of metal. In this mode, only the SENS value can be adjusted.
- DISC: used for target discrimination. You can set the target range by pressing the DISC/NOTCH regulation mode button (4) and then the UP or DOWN button (5). The detector can detect the metal type indicated on the display. All other metal types are rejected. For example, if you set the DISC level 4 segments from MAX to MIN, the detector can detect S-CAPS, 1¢ or 25¢ whilst other types of metal are rejected. The detection range can only be extended from silver towards gold.
- NOTCH: used to detect purer types of silver or gold. When you press the NOTCH operation mode button (3), the detector will only detect purer silver and gold objects, discarding most alloys. Pressing the DISC/NOTCH button and then the Up button will result in less pure objects being detected. This mode works from the 'pure' metals on both sides towards the middle.

c) Testing and using the detector

To learn how the detector reacts to different metals, you should test it before you use it the first time. You can test the detector indoors and outdoors.

- INDOOR testing and use

NOTE: Never test the detector on a floor inside a building. Most buildings have metal of some kind in the floor, which might interfere with the objects you're testing, or mask the signal completely.

1. Slide the POWER switch to ON.
2. Select the operating mode.
3. Place the detector on a wooden or plastic table, and remove any watches, rings or metal jewellery you are wearing.
4. Adjust the search coil so the flat part points towards the ceiling.
5. Slowly sweep a sample of the material you want the detector to find (such as a gold ring or a coin) 2-3 inches above the face of the search coil. When the detector detects any metal within the selected range, it sounds a tone and an arrow appears below the target icon. The LCD displays the depth of the target.
NOTE: if you are using a coin, the detector will detect it more easily if you hold it so that a flat side is parallel with the flat side of the search coil. A sweep with the side of the coin over the search coil might cause false indication and unstable display of the arrow.

- OUTDOOR testing and use

1. Slide the POWER switch to ON.
2. Select the operating mode.
3. Find an area on the ground outside where there is no metal.
4. Place the material you want the detector to find (such as a gold ring or a coin) on the ground.
NOTE: If you are using a valuable metal sample such as gold to test the detector, mark the area where you placed the item, to help you retrieve it later. Do not place it in tall grass or weeds.
5. Hold the search coil level to the ground about 1-2 inches above the surface, slowly move the search coil over the area where you placed the sample, sweeping the search coil in a side-to-side motion.
6. If the detector detects the item, it sounds a tone, and an arrow and the depth appear on the display below the target icon.
7. If the detector does not detect the item, make sure that the target mode is set correctly for the type of metal you're searching for. Also make sure that you're moving the search coil correctly.

d) Search coil sweeping hints

- Never sweep the search coil as if it were a pendulum. Raising the search coil while sweeping or at the end of a sweep will cause false readings.
- Sweep slowly. Hurrying will cause you to miss targets.
- It's better you sweep the search coil from side to side in a straight line and keep the search coil parallel with the ground.
- The detector responds with a signal when it detects most valuable metal objects. If a signal does not repeat after you've swept the search coil over the target a few times, the target is probably junk metal.
- False signals can be caused by trashy ground, electrical interference, or large irregular pieces of junk metal.
- False signals are usually broken or non-repeatable.

e) Adjusting sensitivity

After you've become familiar with how your detector works, it's important to fine tune the sensitivity to get a good result. Press the touch button SENS on the panel. Then press Up or Dn to increase or decrease the sensitivity. The level on the segment will be displayed from high to low position.

NOTE: in order to detect a target deeply buried, you can adjust the SENS to a high position. But don't set the SENS lever to MAX, because the detector will receive interference and false signal from broadcast antennae and other electronic lines. The detector will have unstable arrow and irregular tone indications.

f) Pinpointing a target

Accurately pinpointing a target makes digging it up easier, but it takes practice. We suggest you practise finding sample on your own property before you start searching other locations.

Follow these steps to pinpoint a target:

1. When the detector detects a buried target, continue sweeping the search coil over the target in a narrowing side-to-side motion.
2. Make a visual note of the exact spot on the ground where the detector beeps.
3. Stop the search coil directly over this point on the ground. Then move the search coil straight forward away from you and straight back towards you a couple of times and make another visual note.
4. Repeat steps 1-3 at a right angle to the previous search line. Make an "X" mark on the ground. The target will be directly below the "X" at the point of the beep response.

g) Factors that affect the detecting

It's difficult to have an accurate detecting result. Sometimes the detecting may be restricted by some factors:

- the angle of the object buried in the soil
- the depth of the target
- the level of oxidization of the target
- the size of the target
- electro-magnetic and electrical interference surrounding the object.

If you detect patiently and correctly and practise several times, you'll get satisfactory results.

h) Using headphones

1. Make sure your headphones have a 3.5mm plug.
2. Set the VOLUME knob to zero.
3. Insert the headphones' plug into the PHONE jack. The internal speaker will automatically disconnect.
4. Set the VOLUME knob to the desired setting. Do not listen at extremely high volume levels, as it may lead to partial or permanent hearing loss.

5. Care & Maintenance

Your **CMD02** metal detector is an example of superior design and craftsmanship. The following suggestions will help you take care of your metal detector so you can enjoy it for years.



- Handle the detector gently and carefully. Dropping it can damage circuit boards and cases and can cause the detector to work improperly.



- Use the detector only in normal temperature environments. Temperature extremes can shorten the life of electronic devices, or damage the detector's exterior.



- Keep the detector away from dust and dirt, which can cause premature wear of parts.



- Wipe the detector with a damp cloth occasionally to keep it looking new. Do not use harsh chemicals, cleaning solvents or strong detergents to clean the detector.

**For more info concerning this product, please visit our website www.perel.eu.
The information in this manual is subject to change without prior notice.**

CMD02 – DÉTECTEUR DE MÉTAUX

1. Caractéristiques & applications

Aux résidents de l'Union européenne

Des informations environnementales importantes concernant ce produit



Ce symbole sur l'appareil ou l'emballage indique que l'élimination d'un appareil en fin de vie peut polluer l'environnement.

Ne pas éliminer un appareil électrique ou électronique (et des piles éventuelles) parmi les déchets municipaux non sujets au tri sélectif ; une déchèterie traitera l'appareil en question.

Renvoyer les équipements usagés à votre fournisseur ou à un service de recyclage local.

Il convient de respecter la réglementation locale relative à la protection de l'environnement.

En cas de questions, contacter les autorités locales pour élimination.

Nous vous remercions de votre achat ! Lisez le manuel attentivement avant de prendre votre **CMD02** en service.

Avec votre détecteur de métaux **CMD02**, vous pouvez rechercher des pièces de monnaie, des bijoux, de l'or ou de l'argent où vous voulez.

Le détecteur est facile à utiliser. Les caractéristiques principales sont :

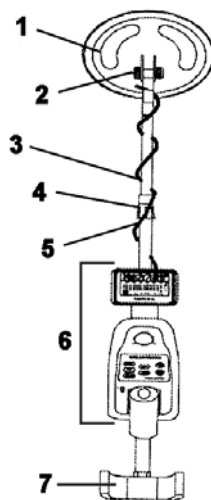
- Ecran LCD** : indique par moyen d'une flèche quel type de métal a été détecté, à quelle profondeur l'objet se trouve, la gamme DISC/NOTCH, le niveau de sensibilité, la mode d'utilisation, et un témoin d'usure des piles.
- Discrimination audio à 3 sons** : pour de différents métaux, l'appareil produit de différents sons.
- Disc/Notch** : ignorez de la ferraille, mais détectez des choses précieuses en sélectionnant ou éliminant des métaux.
- Sortie casque d'écoute** : vous permet d'utiliser un casque d'écoute (non fourni) et donc de travailler tranquillement.
- Tête de détection étanche** : permet l'utilisation du détecteur même avec la tête de détection sous l'eau.

Remarque: Votre détecteur de métaux nécessite deux piles alcalines 9V (non fournis).

2. Préparation

a) Assemblage du détecteur

- 1- tête de détection
- 2- fixation de la tête de détection
- 3- tige
- 4- écrou de fixation
- 5- câble
- 6- panneau de commande
- 7- appuie-bras



L'assemblage du détecteur est facile et ne requiert aucun outil particulier. Suivez simplement cette procédure:

1. Dévissez et enlevez la fixation (2) de la tête de détection. Mettez le bout de la tige dans le support de la tête de détection, et alignez les trous. Mettez le boulon à travers les trous et serrez le bouton écrou.

ATTENTION: Ne forcez pas le système de fixation. N'utilisez pas non plus des tenailles ou un autre outil.

2. Insérez l'appuie-bras (7) dans l'autre bout de la tige, et tendez la vis de serrage.

3. Dévissez légèrement l'écrou de fixation (4), vous permettant d'allonger la tige (3).

4. Ajuster la longueur de la tige de façon que la tête de détection se trouve à environ cinq centimètres du sol quand vous tenez le détecteur à votre côté de manière détendue.

5. Resserrez l'écrou de fixation (4).

- Enroulez le câble de la tête de détection autour de la tige. Laissez suffisamment de mou dans le câble. Insérez la fiche à la fin du câble dans la prise à l'arrière de l'écran LCD. Veillez à ce que les contacts de la fiche correspondent bien aux trous de la prise.
ATTENTION: La fiche de la tête de détection ne rentre que d'une seule façon dans le connecteur. Ne forcez pas la fiche, car vous risquez de l'endommager.
- Desserrez la fixation de la tête de détection, adapter l'angle de la tête de détection, et resserrez la fixation.

b) Installation des piles

- Assurez-vous du fait que l'appareil soit éteint.
- Enlevez les couvercles des logements à piles à l'arrière du panneau de commande.
- Mettez une pile 9V dans chaque compartiment, en respectant la polarité indiquée (+ et -).
- Remettez les couvercles des logements à piles.

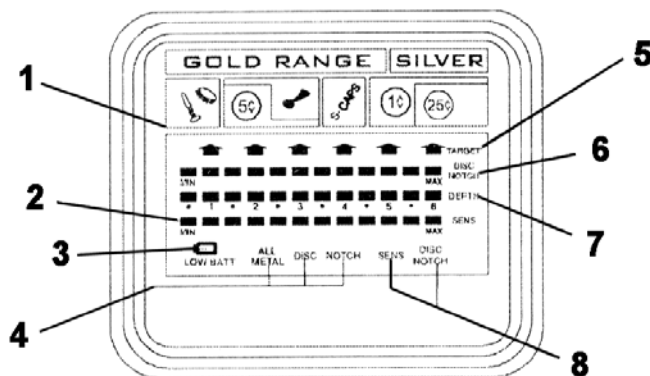
A propos de piles

- N'utilisez que des piles alcalines neuves du format et du voltage recommandé.
- Ne mélangez pas de piles nouvelles et utilisées, ni de différents types de piles.
- Si vous n'allez pas utiliser l'appareil pendant une semaine ou plus, retirez les piles.
Des produits chimiques, qui nuisent à des circuits électroniques, peuvent s'écouler de piles non utilisés.
- Afin de prolonger la durée de vie des piles, il vaut mieux les changer de côté après 3 ou 4 heures de service.
- Débarrassez-vous correctement des piles utilisées. Les enterrer ou brûler peut être nocif.

3. Fonctions et indications

a) l'écran

- icônes
- niveau de sensibilité
- témoin d'usure des piles
- indication mode d'utilisation
- indication d'objet
- champ disc/notch
- bathymètre
- indication sensibilité ou disc/notch



L'indication d'objet consiste d'un écran LCD et des icônes. Du moment que le détecteur détecte un objet, une flèche apparaîtra sous l'icône du type de métal probable. La profondeur de l'objet est également indiquée.

- Si le détecteur capte un signal fort, il affichera une flèche fixe. Lors d'un signal faible, la flèche va clignoter ou ne pas apparaître du tout.
- Après 5 secondes sans détection, la flèche disparaîtra.
- Les icônes ne sont que des points de référence visuels pour vous aider à déterminer si oui ou non un objet vaut la peine d'une recherche plus profonde.

CHAMP OR (GOLD):

- fer/métal en feuilles (icône de vis): l'objet est probablement du fer ou du métal en feuilles. Certains objets en fer rouillé peuvent causer une détection dans le champ ARGENT (SILVER).
- nickel (icône 5c): l'objet est probablement une pièce en nickel.
- languette de cannette (icône languette): l'objet est probablement la languette d'une cannette alu. Certains objets en or brut peuvent causer une détection dans ce champ.
- S-CAPS: l'objet ressemble un bouchon à vis. Certains petits objets en or peuvent causer une détection dans ce champ.
- Zinc/cuivre (icône 1c): L'objet peut être une pièce en zinc ou en cuivre. Certains grands objets en or peuvent causer une détection dans ce champ.

CHAMP ARGENT (icône 1¢/25¢):

l'objet est probablement une pièce en argent. Certains grands objets en alu peuvent causer une détection dans ce champ.

b) sons

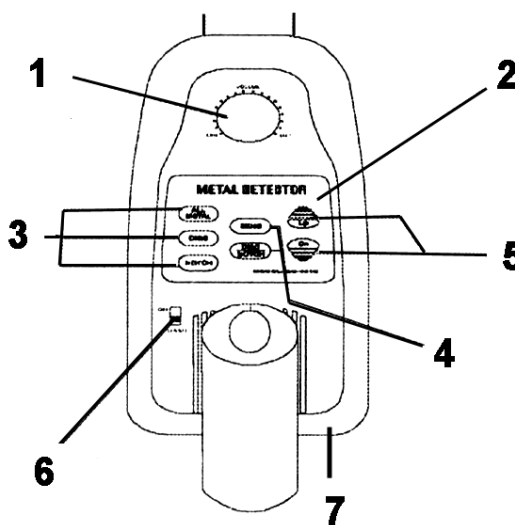
Dans la mode ALL METAL, le détecteur émet un seul son quand il détecte n'importe quel métal.

Si vous utilisez le détecteur dans la mode DISC ou NOTCH, le système audio incorporé émet un son unique pour chacune des trois catégories de métaux. Ceci vous permet de déterminer plus facilement le type de métal.

- Le détecteur émet un son grave pour un petit objet en or, un clou, une capsule ou du nickel.
- La tonalité moyenne indique des languettes en alu, ou des objets en zinc ou en cuivre. Dépendant de la composition de leur alliage, environ 15% des bagues en or provoquent un son moyen.
- Un son aigu indique de l'argent ou du laiton. Du fer rouillé peut causer un son moyen ou aigu.

4. Emploi

- 1- bouton volume
- 2- panneau de boutons
- 3- boutons mode d'utilisation
- 4- boutons mode de réglage
- 5- boutons de réglage: 'Up' en 'Dn' (down)
- 6- interrupteur d'alimentation
- 7- sortie casque d'écoute



a) Allumer le détecteur

D'abord, mettez le bouton volume sur 12h (à moitié ouvert).

Allumez l'interrupteur d'alimentation (6). Tous les symboles apparaissent sur l'écran LCD, et le détecteur émet un son respectivement aigu, moyen et grave.

Après 2 secondes environ, le détecteur passe en mode ALL METAL, avec les boutons de réglage (5) disponibles pour le niveau de sensibilité (SENS). La valeur standard de la sensibilité est 5.

b) Déterminer la mode d'utilisation

Le détecteur a trois modes d'utilisation: ALL METAL, DISC et NOTCH. Vous pouvez déterminer la mode en appuyant sur le bouton correspondant (3) sur le côté gauche du panneau de boutons. Dans tous les modes, lors d'une détection, le détecteur va émettre un son, indiquer le type de métal probable par moyen d'une flèche, et indiquer la profondeur de l'objet.

- ALL METAL: pour tous types de métal. Dans ce mode, seulement la sensibilité peut être réglée.
- DISC: vous permet de discriminer. Vous pouvez régler le champ cible en appuyant le bouton DISC/NOTCH (4), suivi par Up ou Dn (5). Le détecteur peut détecter dans le champ indiqué sur l'écran. Tout autre type de métal n'est pas signalé. Par exemple: avec le niveau DISC sur 4, l'appareil va détecter dans le champ 25¢, 1¢ et S-CAPS ; d'autres types de métal sont ignorés. Le champ peut seulement être agrandi d'argent (à droite) vers or (à gauche).
- NOTCH: pour trouver des formes assez pures d'argent ou d'or. Lorsque vous poussez sur le bouton NOTCH (3), l'appareil affichera un bloc à droite et un bloc à gauche du champ. Le détecteur va donc seulement détecter des formes assez pures d'argent et d'or, et ignorer la plupart des alliages. Si, ensuite, vous poussez sur le bouton DISC/NOTCH (4), suivi par le bouton Up (5), le champ va augmenter des deux côtés. Des objets moins purs seront également détectés. Ce mode travaille donc des deux côtés du champ de détection vers le centre.

c) Tester et utiliser le détecteur

Pour apprendre la réaction du détecteur sur de différents types de métaux, vous faites mieux de bien tester l'appareil avant de l'utiliser pour la première fois. Vous pouvez tester l'appareil à l'intérieur comme à l'extérieur.

- tester et utiliser A L'INTERIEUR

REMARQUE: Ne testez jamais l'appareil sur un sol dans un bâtiment. Dans la plupart des bâtiments, il y a tel ou tel type de métal dans le sol, ce qui peut distordre les résultats de vos objets de test.

1. Mettez l'interrupteur d'alimentation (POWER) sur ON.
2. Sélectionnez le mode d'utilisation.
3. Placez le détecteur sur une table en bois ou en plastic. Mettez de côté tous bagues, montres ou autres objets métalliques que vous portez sur vous.
4. Réglez l'angle du disque de manière que la partie plane de la tête de détection soit dirigée vers le plafond.
5. Bougez lentement l'objet de test (par exemple une bague en or ou une pièce de monnaie) à environ cinq centimètres au-dessus de la tête de détection. Quand le détecteur détecte un métal dans le champ sélectionné, il émet un son, en une flèche apparaît sous l'icône applicable. Le détecteur indique également la profondeur de l'objet.

REMARQUE: si vous utilisez une pièce de monnaie, le détecteur la détectera plus facilement quand vous la présentez côté plat face à la tête de détection. Quand vous la tenez avec le bord vers la tête de détection, vous risquez d'obtenir une détection fautive ou imprécise.

- tester et utiliser A L'EXTERIEUR

1. Mettez l'interrupteur d'alimentation (POWER) sur ON.
2. Sélectionnez le mode d'utilisation.
3. Cherchez un terrain où il n'y a pas de métal dans le sol.
4. Placez l'objet de test (par exemple une bague en or ou une pièce de monnaie) sur le sol.
REMARQUE : Quand vous utilisez un objet précieux (en or, par exemple), marquez clairement l'endroit exact où vous l'avez placé. Ne le placez jamais dans d'hautes ou de mauvaises herbes.
5. Balayez lentement et latéralement la zone où vous avez placé l'échantillon, en tenant la tête de détection à environ 2 à 5 cm au-dessus du sol.
6. Quand le détecteur détecte un métal dans le champ sélectionné, il émet un son, en une flèche apparaît sous l'icône applicable. Le détecteur indique également la profondeur de l'objet.
7. Si le détecteur ne détecte pas l'objet de test, vérifiez si les modes d'utilisation et de réglage sont bien adaptés au type de métal que vous voulez trouver. Vérifiez également si vous balayez correctement.

d) chercher efficacement

- Ne bougez pas la tête de détection comme une pendule. Si vous le soulevez pendant ou à la fin d'un balayage, vous risquez d'obtenir de fausses indications.
- Ne balayez pas trop vite afin de ne pas manquer des objets.
- Le mouvement idéal de la tête de détection est latéral et en ligne droite, en maintenant la même distance du sol.
- Le détecteur émet un signal sonore lorsqu'il détecte des objets métalliques. Si un son n'est pas répété après plusieurs passages au-dessus du même point, l'objet ou le métal est probablement sans valeur.
- Du sol contaminé, de l'interférence électrique ou beaucoup de ferraille peuvent causer de faux signaux.
- Des signaux fautifs sont souvent irréguliers ou non reproductibles.

e) régler la sensibilité (SENS)

Quand vous maîtrisez les techniques de base, il est important de bien pouvoir régler la sensibilité afin de localiser les objets ou métaux que vous désirez. Poussez le bouton de mode de réglage SENS. Ensuite, poussez les boutons 'Up' ou 'Dn' pour modifier le niveau de sensibilité. Le niveau de sensibilité se lit en bas de l'écran LCD.

REMARQUE: afin de trouver des objets profondément enterrés, vous sélectionnez un niveau élevé de sensibilité. Cependant, n'utilisez jamais le niveau max, car le détecteur éprouvera de la perturbation et de faux signaux d'antennes émettrices et d'autres lignes électriques. Le détecteur produira des indications et tonalités irrégulières.

f) déterminer une position précise

Un positionnement exacte d'un objet facilite bien sûr le déterrement, mais ce n'est qu'en forgeant qu'on devient forgeron. Dès lors, nous vous conseillons d'acquérir de l'expérience sur votre propre territoire, avant d'aller travailler sur d'autres terrains. Suivez cette procédure pour faire une localisation exacte:

1. Quand le détecteur détecte un objet enterré, diminuez la portée de votre balayage latéral.
2. Notez visuellement l'endroit exact du terrain où le détecteur émet un son.
3. Stabilisez la tête de détection exactement au-dessus de cet endroit sur le sol. Ensuite, bougez la tête en avant et en arrière pour faire une localisation exacte sous un autre angle.
4. Répétez les points 1 à 3, chaque fois perpendiculairement au dernier balayage. Marquez l'endroit exacte sur le sol avec une croix (X). L'objet se trouve exactement sous le point X.

g) Eléments pouvant influencer la détection

Il est difficile d'obtenir un résultat précis. Voici quelques éléments qui peuvent influencer votre recherche:

- L'angle de l'objet dans le sol
- La profondeur de l'objet
- La rouille de l'objet
- La taille de l'objet
- des champs de perturbation électromagnétique et électrique autour de l'objet.

Si vous cherchez patiemment et correctement, et surtout si vous vous entraînez régulièrement, vous allez certainement obtenir des résultats satisfaisants.

h) Utiliser un casque d'écoute

1. Vérifiez si votre casque d'écoute est équipé d'une fiche 3.5mm.
2. Mettez le bouton de contrôle de volume sur zéro.
3. Insérez la fiche dans la sortie PHONE. L'haut-parleur incorporé sera débranché automatiquement.
4. Réglez le volume comme ça vous convient. N'utilisez jamais le volume maximum ; ceci peut entraîner une perte partielle ou permanente de l'audition.

5. Précaution et entretien

Votre détecteur de métaux **CMD02** est un modèle de design supérieur et de savoir-faire. Ces suggestions vous aideront à tenir votre **CMD02** en bonne condition, vous permettant de l'utiliser sans problèmes pendant des années.



- a. Utilisez le détecteur avec douceur et précaution. S'il tombe, les circuits et boîtiers peuvent être endommagés, ce qui peut provoquer un dysfonctionnement de l'appareil.



- b. N'utilisez le détecteur qu'à des températures normales. Des températures extrêmes peuvent diminuer la durée de vie des pièces électroniques, ou endommager les parties en plastique.



- c. Gardez le détecteur à l'abri de poussière et de saleté. Ceux-ci peuvent provoquer une usure prématurée de certaines pièces.



- d. De temps en temps, nettoyez le détecteur au moyen d'un chiffon humide pour qu'il garde l'air neuf. N'utilisez pas d'agents chimiques agressifs ni de solvants ou de détergents puissants pour nettoyer le détecteur.

Pour plus d'information concernant cet article, visitez notre site web www.perel.eu.

Toutes les informations présentées dans cette notice peuvent être modifiées sans notification préalable.

CMD02 – METAALDETECTOR

1. Eigenschappen & toepassingen

Aan alle ingezetenen van de Europese Unie

Belangrijke milieu-informatie betreffende dit product



Dit symbool op het toestel of de verpakking geeft aan dat, als het na zijn levenscyclus wordt weggeworpen, dit toestel schade kan toebrengen aan het milieu.

■ Gooi dit toestel (en eventuele batterijen) niet bij het gewone huishoudelijke afval; het moet bij een gespecialiseerd bedrijf terecht komen voor recyclage.

U moet dit toestel naar uw verdeler of naar een lokaal recyclagepunt brengen.

Respecteer de plaatselijke milieuwetgeving.

Hebt u vragen, contacteer dan de plaatselijke autoriteiten inzake verwijdering.

Dank u voor uw aankoop! Lees deze handleiding aandachtig voor u uw **CMD02** metaaldetector in gebruik neemt.

Met uw **CMD02** metaaldetector kunt u zowat overal op zoek gaan naar munten, juwelen, goud en zilver.

Deze metaaldetector is veelzijdig en gemakkelijk te gebruiken. De belangrijkste eigenschappen zijn:

LCD scherm : geeft weer welk metaal waarschijnlijk gedetecteerd wordt, hoe diep het voorwerp zich bevindt, het DISC/NOTCH bereik, het gevoeligheidsniveau, de bedieningsmode en of de batterijen bijna leeg zijn.

Drietoons geluidsdiscriminator : voor verschillende metalen worden verschillende tonen weergegeven.

Disc/Notch : negeer schroot en detecteer waardevolle zaken wél door discriminatie of zuiverheidsgradatie.

Hoofdtelefoonaansluiting : laat u toe een hoofdtelefoon (niet meegeleverd) te gebruiken en zo rustig te werken.

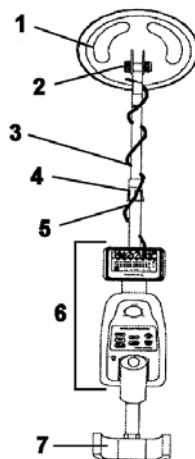
Waterdichte zoekspoel : u kunt de metaaldetector zelfs gebruiken als u de zoekspoel onder water moet steken.

Opmerking: Uw metaaldetector werkt op twee 9-volt alkaline batterijen (niet meegeleverd).

2. Voorbereiding

a) De detector monteren

- 1- zoekspoel
- 2- bevestiging zoekspoel
- 3- steel
- 4- borgmoer
- 5- kabel
- 6- bedieningspaneel
- 7- armsteun



U kunt uw detector gemakkelijk zelf in elkaar steken, zonder speciale werktuigen. Voer gewoon deze stappen uit:

1. Verwijder het bevestigingssysteem (2) van de zoekspoel (bout-en-moer systeem). Steek het uiteinde van de steel in de steunbeugel op de zoekspoel zodat de gaten in elkaars verlengde liggen. Steek de bout door de gaten en span het bevestigingssysteem aan met de moerknop.

LET OP: span het bevestigingssysteem niet te hard aan ; gebruik ook geen tang of een ander werktuig.

2. Steek de armsteun (7) in het uiteinde van de steel en span de schroef achteraan het bedieningspaneel aan.

3. Draai de borgmoer (4) in wijzerzin tot de steel los komt te zitten.

4. Pas de lengte van de steel aan zodat de zoekspoel evenwijdig met, en op zo'n 5 cm van de grond komt te hangen als u het toestel vasthoudt met uw arm ontspannen langs uw lichaam.

5. Span de borgmoer (4) terug aan door ze in wijzerzin te draaien.

6. Wind de kabel van de zoekspoel losjes rond de steel. Steek de stekker aan het uiteinde van de kabel in de daartoe voorziene contactbus aan de achterkant van het LCD scherm.

LET OP: De stekker past slechts op 1 manier in het contact. Forceer de stekker niet ; zo beschadigt u hem.

7. Draai de zoekspoelbevestiging los, pas de helling van de zoekspoel aan, en span de bevestiging weer aan.

b) De batterijen plaatsen

1. Verzeker u ervan dat het toestel uitgeschakeld is.
2. Haal, achteraan het bedieningspaneel, de dekseltjes van de batterijvakjes (van het midden weg schuiven).
3. Plaats een 9V batterij in elk vakje en zorg ervoor dat de polariteit (+ en -) klopt.
4. Schuif de deksels terug op.

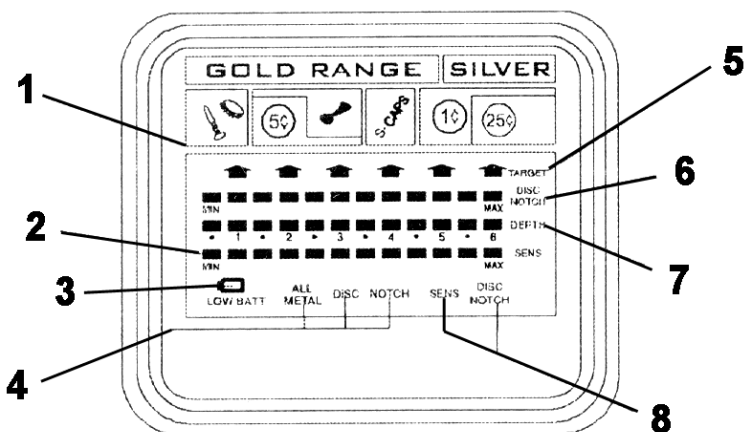
Omtrent batterijen

- Gebruik enkel verse alkalinebatterijen van het juiste formaat en de juiste spanning.
- Gebruik geen oude en nieuwe batterijen noch verschillende types batterijen door elkaar.
- Als u het toestel gedurende een week (of langer) niet zult gebruiken, haal er de batterijen dan uit. Batterijen kunnen chemicaliën lekken, die de elektronica kunnen beschadigen.
- Om ze langer te laten meegaan wisselt u de linker- en rechterbatterij best na elke 3 à 4 uur gebruik.
- Ontdoe u op de gepaste manier van oude batterijen. Ze verbranden of begraven kan gevaarlijk zijn.

3. Functies en aanduidingen

a) het scherm

- 1- metaal-icoontjes
- 2- gevoeligheidsniveau
- 3- batterijverklikker
- 4- aanduidingen gebruiksmode
- 5- voorwerpaanduidingen
- 6- disc/notch bereik
- 7- dieptemeter
- 8- aanduiding gevoeligheid of disc/notch



De voorwerpaanduiding bestaat uit een LCD-scherm en voorwerp-icoontjes. Als de detector een voorwerp bespeurt, verschijnt er een pijl onder het icoon van het type materiaal dat waarschijnlijk gedetecteerd wordt. Hoe diep het voorwerp zich bevindt wordt ook weergegeven.

- Als de detector een sterk signaal ontvangt, verschijnt de pijl vast. Bij een zwak signaal knippert de pijl of verschijnt hij niet.
- Als er 5 seconden niets gedetecteerd wordt, verdwijnt de pijl.
- De voorwerpicoontjes zijn slechts visuele referentiepunten om u te helpen beslissen of een voorwerp al dat niet de moeite waard is.

GOUD-BEREIK (GOLD):

- ijzer/bladmetaal (schroef-icoon): betekent dat het voorwerp wellicht ijzer of bladmetaal is. Sommige verroeste ijzeren voorwerpen worden evenwel soms in het ZILVER-bereik aangeduid.
- nikkel (5¢-icoon): betekent dat het voorwerp wellicht een nikkel munt is.
- blik-lipje (lipje-icoon): betekent dat het voorwerp wellicht een lipje is van een aluminium blikje. Sommige ruwe gouden voorwerpen kunnen in het lipjes-bereik aangeduid worden.
- S-CAPS: betekent dat het voorwerp wellicht een metalen voorwerp is in de aard van een schroefdop. Sommige kleine gouden voorwerpen worden soms in deze categorie aangeduid.
- Zink/koper (1¢-icoon): betekent dat het voorwerp een zink of koper munt kan zijn. Sommige grotere gouden voorwerpen worden in deze categorie aangeduid.

ZILVER-BEREIK (1¢/25¢-icoon):

Betekent dat het voorwerp wellicht een zilveren munt is. Sommige grotere aluminium voorwerpen kunnen in deze categorie worden aangeduid.

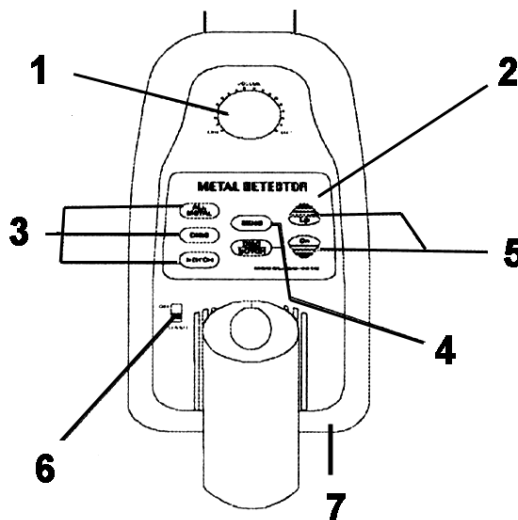
b) tonen

In de ALL METAL mode geeft de detector een enkel geluidssignaal als hij gelijk welk metaal detecteert. Als u de detector in de DISC of NOTCH mode zet, geeft het ingebouwde audio identificatiesysteem een unieke toon voor elk van de 3 metaalcategorieën. Dit maakt het voor u gemakkelijker het metaaltype te bepalen.

- De detector produceert een lage toon bij een klein gouden voorwerp, een nagel, en kroonkurk of nikkel.
- De middentoon is voor aluminium lipjes, zink of koperen voorwerpen. Afhankelijk van hun legering veroorzaken ongeveer 15% van de gouden ringen een middentoon.
- Een hoge toon is voor messing of zilver. Erg verroest ijzer kan aanleiding geven tot een midden- of hoge toon.

4. Bediening

- 1- volumeknop
- 2- knoppenpaneel
- 3- knoppen gebruiksmode
- 4- knoppen regelmode
- 5- regelknoppen: 'Up' en 'Dn' (down)
- 6- stroomschakelaar
- 7- hoofdtelefoonaansluiting



a) De detector aanzetten

Zet eerst de volumeknop (1) op 12 uur (half open)

Zet de stroomschakelaar (6) aan. Alle symbolen verschijnen op het LCD-scherm, en de detector produceert respectievelijk een hoge, midden- en lage toon.

Na ongeveer 2 seconden schakelt de detector automatisch over naar de ALL METAL mode, met de regelknoppen (5) beschikbaar voor de gevoeligheidsregeling. De standaard gevoeligheidswaarde is 5.

b) De werkingsmode bepalen

De detector heeft drie gebruiksmodes: ALL METAL, DISC and NOTCH. U kunt de mode bepalen door op de overeenkomstige knop (3) links op het knoppenpaneel te drukken. In alle gebruiksmodes zal de detector bij een detectie een toon produceren, met een pijl het vermoedelijke metaaltype aangeven, en de diepte aangeven.

- ALL METAL: voor alle metaaltypes. In de ALL METAL mode kunt u alleen de gevoeligheid regelen.
- DISC: om te discrimineren. U kunt het doelbereik regelen door de DISC/NOTCH knop (4) in te drukken, gevolgd door UP of DOWN (5). De detector kan het bereik detecteren dat aangegeven wordt op de display. Andere metaaltypes worden niet weergegeven. Bijvoorbeeld: met het DISC-niveau op 4 zal de detector in het bereik 25¢, 1¢ en S-CAPS detecteren ; andere metalen worden genegeerd. Het bereik kan enkel vergroot worden van zilver (rechts) naar goud (links) toe.
- NOTCH: om zuivere vormen van zilver of goud te vinden. Als u op de NOTCH gebruiksmodeknop (3) drukt, zal het scherm enkel een blokje helemaal links en helemaal rechts op het bereik tonen. De detector zal enkel vrij zuivere vormen van zilver en goud detecteren, en de meeste legeringen negeren. Als u nu op de knop DISC/NOTCH drukt, gevolgd door de 'Up' knop, zal het bereik aan beide kanten vergroten en zullen ook minder zuivere voorwerpen gedetecteerd worden. Deze gebruiksmode werkt dus van beide kanten van het detectiespectrum naar het midden toe.

c) De detector testen en gebruiken

Om te leren hoe de detector reageert op verschillende metaalsoorten, doet u er goed aan het toestel goed te testen voor u het de eerste keer gaat gebruiken. U kunt het toestel zowel binnen als buiten testen.

- BINNEN testen en gebruiken

OPMERKING: Test het toestel nooit op een vloer in een gebouw. Bij de meeste gebouwen zit er wel een of andere soort metaal in de vloer, waardoor de resultaten van de voorwerpen die u eigenlijk wil testen, vervormd worden of zelfs helemaal verkeerd uitgelezen worden.

1. Zet de stroomschakelaar (POWER) op ON.
2. Selecteer de gebruiksmode.
3. Plaats de detector op een houten of plastic tafel, en leg alle ringen, uurwerken of andere metalen juwelen of voorwerpen die u op zich draagt even aan de kant.
4. Kantel de zoekspoel zodanig dat het vlakke zoekoppervlak naar boven gekeerd is.
5. Beweeg het testmateriaal (bvb een gouden ring of een munt) langzaam een tiental centimeter boven de zoekspoel. Als de detector een metaal binnen het geselecteerde bereik bespeurt, produceert hij een toon en verschijnt er een pijl onder een metaal-icoon. Hij geeft ook weer hoe diep het voorwerp zich bevindt.
OPMERKING: als u een muntstuk gebruikt, zal de detector het gemakkelijker bespeuren als u het zodanig houdt dat een vlakke zijde naar de zoekspoel is gekeerd. Als u het muntstuk met de smalle kant naar de zoekspoel houdt, kan dat aanleiding geven tot een foutief resultaat of een onduidelijke detectie.

- BUITEN testen en gebruiken

1. Zet de stroomschakelaar (POWER) op ON.
2. Selecteer de gebruiksmode.
3. Zoek een stuk grond waar geen metaal in zit.
4. Plaats het testmateriaal (bijvoorbeeld een gouden ring of een muntstuk) op de grond.
OPMERKING: Als u waardevol testmateriaal (goud) gebruikt, duid dan duidelijk aan waar u het gelegd hebt om het achteraf gemakkelijk terug te vinden. Let het in alle geval niet tussen hoog gras of onkruid.
5. Hou de zoekspoel evenwijdig met en zo'n 5 cm boven de grond. Beweeg de zoekspoel langzaam zijwaarts over het gebied waar u het testmateriaal gelegd hebt.
6. Als de detector het voorwerp detecteert, zal hij een toon produceren en zal er op het LCD-scherm een pijl verschijnen onder het toepasselijke metaal-icoon. Ook hoe diep het voorwerp zit, wordt aangegeven.
7. Als de detector het voorwerp niet detecteert, controleer dan of de gebruiks- en regelingsmodes correct zijn ingesteld voor het type metaal dat u wilt zoeken. Zorg er ook voor dat u de zoekspoel correct beweegt.

d) Efficiënt zoeken

- Beweeg de zoekspoel niet zoals een pendel. De zoekspoel hoger heffen tijdens of op het einde van een zwaai, kan aanleiding geven tot foutieve resultaten.
- Beweeg de detector langzaam. Door te vlug te bewegen kunt u voorwerpen missen.
- De ideale beweging met de zoekspoel is zijwaarts en in een rechte lijn, waarbij u de zoekspoel steeds op eenzelfde afstand van de bodem houdt.
- De detector produceert een toon als hij waardevolle metalen voorwerpen detecteert. Als een toon niet herhaald wordt wanneer u met de zoekspoel enkele keren over hetzelfde punt gaat, is het metaal wellicht waardeloos.
- Vervuilde grond, elektrische interferentie of grote stukken schroot kunnen valse signalen veroorzaken.
- Valse signalen zijn doorgaans onregelmatig of niet reproduceerbaar.

e) De gevoeligheid (SENS) aanpassen

Wanneer u de basistechnieken onder de knie heeft, is het belangrijk de detector fijn af te stellen om zo een goed resultaat te verkrijgen. Druk op de SENS regelmodeknop. Druk vervolgens op 'Up' of 'Dn' om de gevoeligheid bij te stellen. Het gevoeligheidsniveau kunt u aflezen op de onderste blokjesbalk op het LCD-scherm.

OPMERKING: om voorwerpen diep in de grond te vinden moet u de gevoeligheid hoog instellen. Zet de gevoeligheid nooit op het maximum, want dan zal de detector storing en valse signalen ondervinden van zendmasten en andere elektronische leidingen. De detector zal onregelmatige aanduidingen en tonen produceren.

f) Een positie precies bepalen

De exacte positie van een voorwerp bepalen, maakt het opgraafwerk een stuk makkelijker, maar oefening baart nog altijd kunst. Wij raden u dan ook aan eerst op uw eigen grondgebied ervaring op te doen alvorens op andere locaties te gaan werken. Volg deze stappen om een voorwerp precies te lokaliseren:

1. Als de detector een begraven voorwerp bespeurt, verklein dan de reikwijdte van uw zijwaartse beweging.
2. Kijk nauwkeurig boven welke plaats de detector een signaal geeft.
3. Hou de zoekspoel stil vlak boven dat punt op de grond. Beweeg de zoekspoel vervolgens enkele keren voor- en achterwaarts, en kijk opnieuw waar precies de detector zijn signaal geeft.
4. Herhaal de stappen 1 tot 3, iedere keer haaks op de laatste beweging. Duid de precieze locatie op de grond aan met een kruis (X). Het voorwerp zal zich recht onder het punt X bevinden.

g) Factoren die de detectie kunnen beïnvloeden

Het is moeilijk om een precies zoekresultaat te behalen. Deze factoren kunnen het zoeken bemoeilijken:

- de hoek waaronder het voorwerp zich in de grond bevindt
- hoe diep het voorwerp zich bevindt
- in welke mate het voorwerp verroest is
- de grootte van het voorwerp
- elektromagnetische en elektrische storingsvelden rond het voorwerp

Als u geduldig en correct zoekt, en vooral veel oefent, zult u zeker bevredigende resultaten behalen.

h) Een hoofdtelefoon gebruiken

1. Verzeker u ervan dat uw hoofdtelefoon een 3.5mm stekker heeft.
2. Zet de volumeknop op nul.
3. Steek de stekker van de hoofdtelefoon in het PHONE contact. De ingebouwde luidspreker zal automatisch uitgeschakeld worden.
4. Regel het volume naar uw believen. Draai de volumeknop nooit helemaal open ; dit kan leiden tot gedeeltelijk of permanent gehoorverlies.

5. Zorg en onderhoud

Uw **CMD02** metaaldetector is een toonbeeld van topdesign en vakmanschap. Deze suggesties zullen u helpen uw **CMD02** in goede staat te houden, zodat u hem nog jaren probleemloos zult kunnen gebruiken.



- Behandel de detector voorzichtig en met zorg. Als hij valt kan de elektronica of de behuizing beschadigd worden, waardoor de detector niet meer naar behoren zal werken.



- Gebruik de detector alleen bij normale temperaturen. Extreme temperaturen kunnen de levensduur van elektronische apparaten inkorten, of de behuizing beschadigen.



- Hou de detector vuil- en stofvrij. Stof of vuil kan vroegtijdige sleet veroorzaken op bepaalde onderdelen.



- Maak de detector af en toe schoon met een vochtige doek. Zo blijft hij er gloednieuw uitzien. Gebruik geen bijtende chemische producten, reinigingsmiddelen of sterke detergents om de detector te reinigen.

Voor meer informatie omtrent dit product, zie www.perel.eu.

De informatie in deze handleiding kan te allen tijde worden gewijzigd zonder voorafgaande kennisgeving.

CMD02 – DETECTOR DE METALES

1. Características & Aplicaciones

A los ciudadanos de la Unión Europea

Importantes informaciones sobre el medio ambiente concerniente este producto



Este símbolo en este aparato o el embalaje indica que, si tira las muestras inservibles, podrían dañar el medio ambiente.

No tire este aparato (ni las pilas eventuales) en la basura doméstica; debe ir a una empresa especializada en reciclaje. Devuelva este aparato a su distribuidor o un lugar de reciclaje local.

Respete las leyes locales en relación con el medio ambiente.

Si tiene dudas, contacte las autoridades locales para eliminación.

¡Gracias por haber comprado el **CMD02**! Lea cuidadosamente las instrucciones del manual antes de montarlo.

Con el detector de metales **CMD02** puede detectar monedas, joyas, oro y plata en casi todos los tipos de suelos. Es un dispositivo versátil y fácil de manejar. Las características principales son:

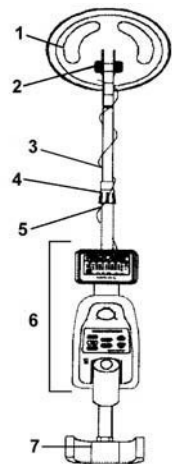
- | | |
|--|---|
| Pantalla LCD | : le enseña mediante una flecha que tipo de metal ha sido encontrado, la profundidad del objeto, la gama DISC/NOTCH, el nivel de sensibilidad y el modo operativo. Indicador de batería baja. |
| Discriminación audible de 3 tonos | : diferentes tonos para diferentes tipos de metal permiten una fácil identificación. |
| Disc/Notch | : omite la chatarra. Detecte objetos preciosos seleccionando o eliminando metales. |
| Salida para auriculares | : le permite conectar auriculares (no incluidos) y trabajar tranquilamente. |
| Cabezal de detección estanco | : le permite también buscar objetos bajo el agua. |

Observación: Su detector de metales funciona con dos pilas alcalinas de 9V (no incluidas).

2. Preparación

a) Montaje del detector

- 1- cabezal de detección
- 2- fijación para el cabezal de detección
- 3- barra
- 4- tuerca de seguridad
- 5- cable
- 6- panel de controles
- 7- soporte del brazo



El **CMD02** se caracteriza por un fácil montaje. No necesita herramientas especiales. Sólo siga las siguientes instrucciones :

1. Destornille y quite el sistema de fijación (2) del cabezal de detección. Introduzca la barra y alinee los agujeros en el soporte del cabezal y la barra. Pase el tornillo por los agujeros y apriete el botón.
CUIDADO : No tense el sistema de fijación demasiado y no use herramientas como por ejemplo alicates.
2. Introduzca el soporte del brazo (7) en la barra y apriete el tornillo en la parte posterior del panel de controles.
3. Gire la tuerca de seguridad (4) de la barra en el sentido de las agujas del reloj hasta que se suelte.
4. Alargue o acorte la barra hasta que esté derecha. Mantenga el detector en su mano y los brazos relajados al lado del cuerpo. El cabezal tiene que encontrarse más o menos entre 1 y 5cm encima del suelo.
5. Gire la tuerca de seguridad (4) en el sentido contrario al de las agujas del reloj.
6. Enrolle el cable del cabezal alrededor de la barra. Deje bastante espacio entre el cable y la barra. Introduzca el conector al final del cabezal en la toma detrás de la pantalla LCD. Asegúrese de que los pins de la toma encajen en los agujeros del jack.

CUIDADO : La toma del cabezal encaja exactamente en el jack. Nunca intente forzarla, para no dañarla.

- Afloje el botón al final del cabezal para ajustar el ángulo deseado. Asegúrese de que el cabezal esté paralelo al suelo. Ahora, apriete el botón pero procurando que el cabezal pueda continuar oscilando.

b) Colocar las pilas

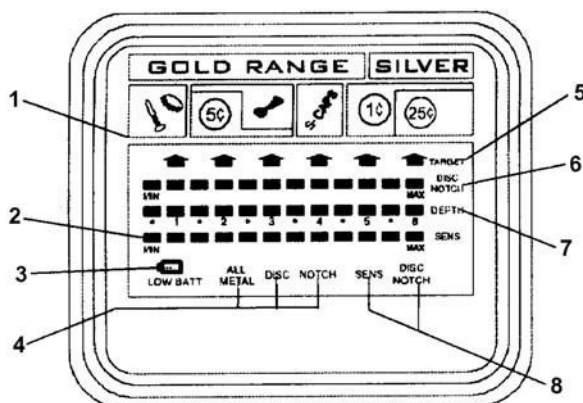
- Asegúrese de que el aparato esté apagado.
- Quite las tapas del compartimiento de pilas (parte posterior del panel de control).
- Coloque una pila de 9V en cada compartimiento respetando la polaridad correcta (+ y -).
- Cierre la tapa deslizando del compartimiento.

Advertencias

- Use sólo pilas alcalinas del tipo requerido y de la tensión requerida.
- No mezcle pilas nuevas, usadas, ni de tipos diferentes.
- Si no usa el detector durante una semana o más, quite las pilas.
Tire siempre las pilas usadas o descargadas. Los productos de las mismas pueden dañar los componentes electrónicos de su detector.
- Si quiere alargar la duración de la vida de las baterías, cámbielas de lado después de cada 3 o 4 horas de uso.
- Las baterías agotadas deben tirarse en los correspondientes depósitos de eliminación de residuos.

3. Funciones e indicaciones

a) la pantalla



- 1- iconos
- 2- nivel de sensibilidad
- 3- indicador de batería baja
- 4- indicador modo operativo
- 5- indicador del objeto
- 6- rango disc/notch
- 7- indicador de la profundidad
- 8- indicador sensibilidad o disc/notch

El indicador del objeto consiste en una pantalla LCD e iconos. Al detectar un objeto una flecha aparece bajo el icono indicando la naturaleza del metal. Se indica también la profundidad del objeto.

- Si el detector recibe una señal fuerte, visualiza una flecha fija. Si recibe una señal floja, la flecha parpadea o no aparece en absoluto.
- Después de 5 segundos sin detección, la flecha desaparece.
- Los iconos sólo son puntos de referencia visuales para ayudarle a determinar si vale la pena o no de intensificar la búsqueda.

RANGO ORO (GOLD):

- hierro/metal en hoja (icono de tornillo): se trata probablemente de hierro o de metal en hoja. Algunos objetos de hierro oxidado pueden detectarse en el rango PLATA (SILVER).
- níquel (icono 5¢): se trata probablemente de una pieza niquelada.
- tapas de botellas (icono tapa): se trata probablemente de una tapa de botellas de aluminio. Algunos objetos de oro duro pueden detectarse en este rango.
- S-CAPS: se trata probablemente de una tapa de rosca. Algunos pequeños objetos de oro pueden detectarse en este rango.
- zinc/cobre (icono 1¢): se trata probablemente de una pieza de zinc o de cobre. Algunos grandes objetos de oro pueden detectarse en este rango.

RANGO PLATA (icono 1¢/25¢):

Se trata probablemente de una pieza de plata. Algunos grandes objetos de aluminio pueden detectarse en este rango.

b) señales

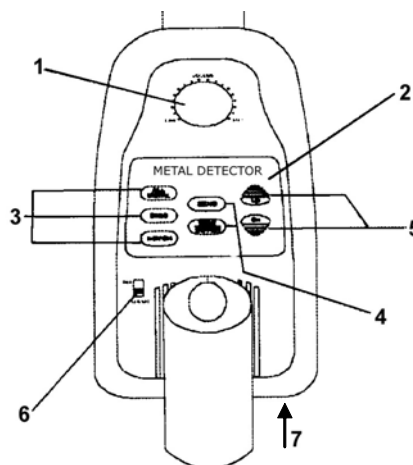
En el modo ALL METAL, el detector emite una sola señal si detecta cualquier metal.

Si usa el detector en el modo DISC o NOTCH, el sistema audio incorporado emite una señal específica para cada uno de las tres categorías de metales, lo que le permite determinar más fácilmente el tipo de metal.

- El detector emite un sonido grave para un objeto pequeño de oro, un tornillo, una tapa o para níquel.
- El sonido medio indica tapas de aluminio u objetos de zinc o de cobre. Dependiendo de la composición de la aleación, aproximadamente el 15% de los anillos de oro provocan un sonido medio.
- Un sonido agudo indica monedas o latón. Hierro oxidado puede causar un sonido medio o agudo.

6. Uso

- 1- botón de volumen
- 2- panel de botones
- 3- botones modo operativo
- 4- botones modo de ajuste
- 5- botones de ajuste: 'Up' y 'Dn' (down)
- 6- interruptor de alimentación
- 7- salida auriculares



a) Encender el detector

Primero, coloque el botón de volumen en la posición "12 horas" (a mitad entre mín. y máx.).

Coloque el interruptor de alimentación (6) en la posición ON. Todos los símbolos aparecen en la pantalla LCD y el detector emite respectivamente una señal aguda, media y grave.

Después de aproximadamente 2 segundos, el detector pasa a modo ALL METAL, mediante los botones de ajuste (5) disponibles para el ajuste de la sensibilidad (SENS). El valor estándar de la sensibilidad es 5.

b) Determinar el modo operativo

El detector tiene tres modos operativos: ALL METAL, DISC y NOTCH. Es posible determinar el modo pulsando el botón correspondiente (3) en el lado izquierdo del panel de botones. En todos los modos, el detector no sólo emite una señal sonora al detectar un objeto, sino también indica el probable tipo de metal mediante una flecha y la profundidad del objeto.

- ALL METAL: para todos los tipos de metal. En este modo, puede sólo ajustar la sensibilidad.
- DISC: le permite una discriminación. Puede ajustar el rango del objeto pulsando el botón DISC/NOTCH (4), seguido por Up o Dn (5). El detector puede detectar el rango indicado en la pantalla. No se visualizan otros tipos de metal. Por ejemplo: con el nivel DISC en 4, el aparato detectará el rango 25¢, 1¢ y S-CAPS ; No se detectan otros tipos de metal. Sólo puede extender el rango de plata (a la derecha) a oro (a la izquierda).
- NOTCH: para encontrar tipos de plata o de oro más puros. Al pulsar el botón NOTCH (3), el detector visualiza un bloque a la derecha y un bloque a la izquierda del rango. Por lo tanto, el detector sólo detecta objetos de plata y de oro bastante puros desechando la mayoría de las aleaciones. Si luego pulsa el botón DISC/NOTCH (4), seguido por el botón Up (5), se detectan también objetos menos puros. Este modo funciona de ambos lados del rango hacia el centro.

c) Probar y usar el detector

Someta el detector a prueba antes de usarlo por primera vez para aprender cómo reacciona a los diferentes tipos de metales. Puede probarlo tanto en el interior como al aire libre.

- probar y usar el detector EN INTERIORES

OBSERVACIÓN : Nunca pruebe el detector sobre el suelo dentro de un edificio ya que se usa algún tipo de metal en la mayoría de los edificios. Esto puede causar interferencias con los objetos a prueba o puede cubrir la señal completamente.

1. Coloque el interruptor de alimentación (POWER) en la posición ON.
2. Seleccione el modo operativo.
3. Coloque el detector en una mesa de madera o de plástico. Quítese cualquier objeto como relojes, anillos etc.
4. Coloque el cabezal de manera que la parte plana del cabezal esté a ras del techo.
5. Mueva el objeto (como un anillo de oro o una moneda) a una altura de más o menos 5cm encima del cabezal. Detectando un metal en el rango seleccionado, suena un tono y la flecha aparece bajo el icono aplicable. El detector indica también la profundidad del objeto.

OBSERVACIÓN: El detector detectará la moneda más fácilmente si se muestra el anverso o reverso de ésta a ras del cabezal. Si se muestra el canto, esto puede causar una detección falsa o imprecisa.

- probar y usar el detector AL AIRE LIBRE

1. Coloque el interruptor de alimentación (POWER) en la posición ON.
2. Seleccione el modo operativo.
3. Busque un lugar libre de metal.
4. Coloque el objeto (como un anillo de oro o una moneda) en el suelo.
OBSERVACIÓN: si usa un material valioso como oro, marque el sitio para no olvidárselo. Evite hierbas altas o malas hierbas.
5. Ponga el cabezal horizontalmente a una altura entre 2 y 5 cm del suelo y mueva el cabezal lentamente de un lado a otro sobre el lugar donde se encuentra el objeto metálico.
6. Al encontrar el objeto, suena un tono y la flecha aparece bajo el icono aplicable. El detector indica también la profundidad del objeto.
7. Si el detector no detecta ningún objeto de prueba, verifique si los modos operativos y de ajuste están bien adaptados al tipo de metal que quiere encontrar. Asegúrese también de que mueva el cabezal correctamente.

d) buscar eficazmente

- Nunca use el detector como si fuera un péndulo. Levantar el detector durante el vaivén lateral podría causar interpretaciones falsas.
- Mueva el cabezal lentamente de un lado a otro – ¡No lo haga de prisa! Esto podría hacerle perder objetos.
- El movimiento ideal del cabezal de detección es lateral y en línea recta, manteniéndolo paralelo al suelo.
- El detector emite una señal sonora detectando objetos metálicos. Si se trata de un objeto sin valor se atenúa la señal, incluso después de haber movido el cabezal varias veces encima del objeto.
- Un suelo contaminado, interferencias eléctricas o grandes piezas de metal pueden causar señales falsas.
- Reconocerá las señales falsas porque están rotas o no se repiten.

e) ajustar la sensibilidad (SENS)

Una vez familiarizado con las técnicas de base, es importante ajustar bien la sensibilidad a fin de localizar los objetos o metales deseados. Apriete el botón de modo de ajuste SENS. Entonces, apriete el botón 'Up' o 'Dn' para modificar el nivel de sensibilidad que se visualiza en la pantalla LCD (inferior).

OBSERVACIÓN: a fin de encontrar objetos profundamente enterrados, seleccione un nivel de sensibilidad elevado. Sin embargo, nunca use el nivel máximo porque el detector recibe interferencias y señales falsas de antenas de radiodifusión y de otras líneas eléctricas. El detector tendrá una flecha inestable y sonidos irregulares.

f) localizar un objeto

Una localización exacta del objeto facilita el desenterramiento, pero exige alguna práctica. Aconsejamos practicar, buscando y desenterrando pequeños objetos en su propiedad antes de empezar a detectar otros lugares. Siga los siguientes pasos para localizar el objeto:

1. Al detectar un objeto, continúe moviendo el cabezal encima del objeto disminuyendo poco a poco los movimientos oscilatorios y laterales.
2. Marque el lugar exacto donde el detector produzca una señal sonora.
3. Pare el cabezal inmediatamente encima del lugar. Mueva el cabezal en un movimiento hacia adelante, ida y vuelta. Repita este movimiento algunas veces. Vuelva a marcar el lugar exacto donde se oye la señal sonora.
4. Repita los pasos 1 a 3 en un ángulo de 90° con respecto a la dirección de la búsqueda original. Haga una figura en forma de X. El objeto se encuentra directamente debajo de la X donde la señal sonora es más intensa.

g) Elementos que pueden influenciar la detección

Ningún detector de metales es 100% preciso. Su reacción depende de muchos factores:

- El ángulo en el que el objeto se encuentra en el suelo
- La profundidad del objeto
- La parte de hierro en el objeto
- El tamaño del objeto
- Interferencias electromagnéticas y eléctricas alrededor del objeto.

Con mucha paciencia y muchas horas de entrenamiento puede obtener un máximo de resultados.

h) Usar auriculares

1. Verifique si están equipados de un conector de 3.5mm.
2. Ponga el volumen al mínimo.
3. Conecte el conector a la salida PHONE. El altavoz interno se apaga automáticamente.
4. Ajuste sólo el volumen a un nivel cómodo. Evite niveles de volumen extremadamente altos. Estos volúmenes elevados pueden causar la pérdida de la capacidad auditiva.

7. Mantenimiento

El **CMD02** es un ejemplo de diseño y fabricación insuperable. Las siguientes sugerencias le ayudarán al cuidarlo para que lo aproveche durante años.



- a. Manipule el detector de metales con mucho cuidado. Las caídas y los golpes podrían dañar sus circuitos impresos y ser el resultado de un funcionamiento inapropiado.



- b. Use y mantenga el detector sólo bajo condiciones normales de temperatura. Las temperaturas extremas, podrían acortar la vida útil de los componentes electrónicos y deformar o derretir sus componentes de material plástico.



- c. Mantenga el detector de metales alejado de polvo y grasas. Estos elementos podrían causar el desgaste prematuro de sus componentes.



- d. Limpie, ocasionalmente, el detector de metales con un paño húmedo. Evite el uso de químicos abrasivos, disolventes para limpieza o detergentes concentrados.

**Para más información sobre este producto, visite nuestra página web www.perel.eu.
Se pueden modificar las especificaciones y el contenido de este manual sin previo aviso.**

CMD02 – METALLDETEKTOR

1. Eigenschaften & Applikationen

An alle Einwohner der Europäischen Union

Wichtige Umweltinformationen über dieses Produkt



Dieses Symbol auf dem Produkt oder der Verpackung zeigt an, dass die Entsorgung dieses Produktes nach seinem Lebenszyklus der Umwelt Schaden zufügen kann.

Entsorgen Sie die Einheit (oder verwendeten Batterien) nicht als unsortiertes Hausmüll; die Einheit oder verwendeten Batterien müssen von einer spezialisierten Firma zwecks Recycling entsorgt werden.

Diese Einheit muss an den Händler oder ein örtliches Recycling-Unternehmen retourniert werden.

Respektieren Sie die örtlichen Umweltvorschriften.

Falls Zweifel bestehen, wenden Sie sich für Entsorgungsrichtlinien an Ihre örtliche Behörde.

Wir danken Ihnen für den Kauf des **CMD02**-Metalldetektors. Lesen Sie sorgfältig diese Bedienungsanleitung bevor Sie das Gerät benutzen.

Mit Ihrem **CMD02**-Metalldetektor können Sie fast überall nach Geldstücken, Relikten, Schmuckwaren, Gold und Silber suchen.

Der Detektor ist sehr benutzerfreundlich. Die Eigenschaften sind:

LCD-Display

: zeigt mit einem Pfeil den wahrscheinlichen Metalltyp, die Tiefe des Objektes, den DISC/NOTCH-Bereich, die Empfindlichkeit, den Betriebsmodus und die "Lo-Bat"-Anzeige an.

Audio-Diskriminator mit 3 verschiedenen Tönen 'Notch'

: unterschiedliche Töne für unterschiedliche Metallarten.
: filtert kleine Eisenteile wie Nägel, Flaschendeckel usw. aus und meldet nur Edelmetall und wertvolle Objekte dank dem Diskriminator und der Anpassung des 'Disc' und 'Notch'-Bereiches.

Kopfhörer-Anschluss

: zum Anschließen des Kopfhörers (nicht mitgeliefert) mit der Absicht ruhig arbeiten zu können

Wasserdichte Suchsonde

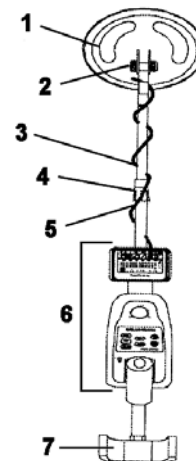
: Sie können die Suchsonde sogar unter Wasser verwenden

Anmerkung: Der Metalldetektor benötigt zwei 9-Volt Alkaline-Batterien (nicht mitgeliefert)

2. Vorbereitung

a) Detektor montieren

- 1- Suchsonde
- 2- Befestigungssystem für Suchsonde
- 3- Stiel
- 4- Sicherungsmutter
- 5- Kabel
- 6- Bedienungskonsole
- 7- Armstütze



Die Montage des Detektors ist einfach und Sie benötigen keine Spezialwerkzeuge. Folgen Sie nur diesen Schritten:

1. Demontieren Sie das Befestigungssystem (2) der Suchsonde (Mutter und Bolzen-System). Bringen Sie den Stiel an der Suchsonde an und bringen Sie die Löcher des Stiels und der Suchsonde in eine Linie. Stecken Sie die Bolzen durch die Löcher und schrauben Sie mit der Mutter fest.

ACHTUNG: Ziehen Sie die Befestigung nicht zu fest an. Benutzen Sie zum Anziehen keine Werkzeuge wie z.B. eine Zange.

2. Befestigen Sie die Armstütze (7) am Ende des Stiels und ziehen Sie die Schrauben an der Rückseite der Bedienungskonsole an.

3. Drehen Sie die Mutter (4) des Stiels im Uhrzeigersinn bis er sich löst.

4. Passen Sie die Länge des Stiels so an, dass sich die Suchsonde parallel zu und ungefähr 5 cm über dem Boden befindet wenn Sie das Gerät festhalten, Arm entspannt an der Seite entlang.

5. Drehen Sie zum Verschließen die Kontermutter des Stiels gegen den Uhrzeigersinn.
6. Wickeln Sie das Kabel der Suchsonde locker um den Stiel. Stecken Sie den Stecker am Ende des Kabels in die Buchse auf der Rückseite der Bedienungskonsole.
ACHTUNG: Der Stecker passt nur auf eine Weise in die Buchse. Forcieren Sie ihn nicht, so könnten Sie ihn beschädigen.
7. Lösen Sie die Befestigung der Suchsonde, passen Sie die Neigung der Suchsonde an und ziehen Sie die Befestigung wieder an.

b) Batterien einlegen

1. Achten Sie darauf, dass der Stromschalter ausgestaltet ist.
2. Machen Sie auf der Rückseite der Bedienungskonsole den Deckel des Batteriefachs offen (von der Mitte wegschieben).
3. Legen Sie eine 9V-Batterie in jedes Batteriefach ein. Achten Sie auf die Polarität (+/-).
4. Legen Sie den Deckel wieder auf.

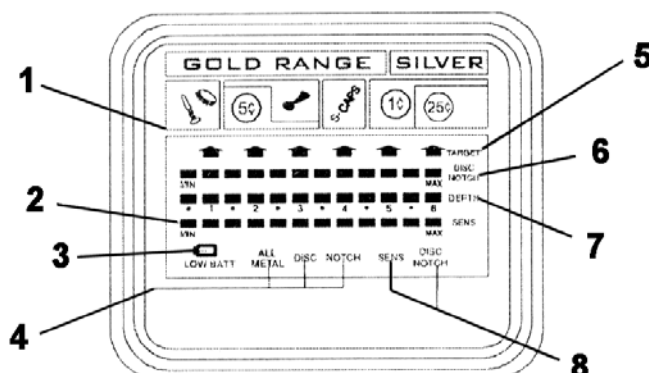
Über Batterien:

- Verwenden Sie nur neue Alkaline-Batterien der richtigen Größe und Spannung.
- Mischen Sie keine alten und neuen Batterien oder verschiedenen Batterie-Typen.
- Wenn Sie das Gerät eine Woche nicht verwenden, entfernen Sie die Batterien.
- Batterie können Chemikalien, die Elektronikteile beschädigen können, lecken.
- Um die Lebensdauer der Batterien zu verlängern, wechseln Sie die linke und die rechte Batterie nach einem Betrieb von 3 bis 4 Stunden.
- Entsorgen Sie alte Batterien sofort und unter Beachtung der gängigen Vorschriften. Verbrennen Sie nie Batterien!

3. Funktionen und Anzeigen

a) Display

- 1- Metallikonen
- 2- Empfindlichkeit
- 3- "Lo-Bat"-Anzeige
- 4- Anzeigen für Betriebsmodi
- 5- Ziel-Anzeigen
- 6- DISC/NOTCH-Bereich
- 7- Tiefenanzeige
- 8- Empfindlichkeit oder DISC/NOTCH-Regelung



Die Ziel-Anzeige umfasst ein LCD-Display und Ziel-Ikonen. Wenn der Metalldetektor ein Objekt ortet, dann erscheint ein Pfeil unter der Ziel-Ikone des Materialtyps, der wahrscheinlich detektiert wird. Die Tiefe des Ziels wird auch angezeigt.

1. Wenn der Detektor ein starkes Signal empfängt, erscheint der Pfeil ununterbrochen. Wenn das Signal schwach ist, blinkt der Pfeil oder erscheint er nicht.
2. Wenn die Detektion 5 Sekunden aufhört, dann wird der Pfeil verschwinden.
3. Die Ziel-Anzeigen sind nur visuelle Hinweise: so können Sie entscheiden ob es sich lohnt, das Objekt weiter zu erkunden.

GOLD-BEREICH

1. Eisen/Blech (Schrauben-Ikone): zeigt an, dass das Ziel wahrscheinlich Eisen oder Blech ist. Manches oxidierte Eisen wird im SILBER-Bereich angezeigt.
2. Nickel (5c-Ikone): zeigt an, dass das Ziel wahrscheinlich ein Fünfcentstück ist.
3. Aufreiβlasche (Aufreiβlasche-Ikone): zeigt an, dass das Ziel wahrscheinlich eine Aufreiβlasche einer Aluminiumdose ist. Manche Objekte aus grobem Gold werden in der 'Aufreiβlasche-Kategorie' angezeigt.
4. S-CAPS: zeigt an, dass das Ziel wahrscheinlich ein Metalltyp ist wie z.B. ein Flaschenverschluss mit Windungen. Manche kleinen Objekte aus Gold könnten in dieser Kategorie angezeigt werden.
5. Zink/Kupfer (1c-Ikone): zeigt an, dass das Ziel ein kupfernes oder ein Geldstück aus Zink sein könnte. Manche größeren Objekte aus Gold könnten in dieser Kategorie angezeigt werden.

SILBER-RANGE (1¢/25¢-Ikone):

zeigt an, dass das Objekt wahrscheinlich eine Silbermünze ist. Manche größeren Objekte aus Aluminium könnten in dieser Kategorie angezeigt werden.

b) Töne

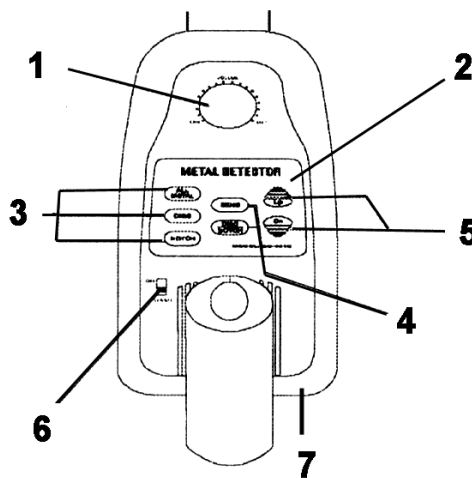
Wenn der Detektor auf 'ALL METAL' Modus eingestellt ist, wird nur ein Signal für alle Metalltypen ertönen.

Wenn der Detektor auf DISC oder NOTCH Modus eingestellt ist, wird das eingebaute Audio-Identifikationssystem für jeden der 3 Metalltypen einen einzigartigen Ton ertönen lassen. So wird es leichter die Metalle zu bestimmen.

1. Wenn kleine Goldobjekte, Nägel, Flaschenverschlüsse oder Nickel geortet werden, wird ein niedriger Ton hörbar sein.
2. Ein mittlerer Tön ertönt wenn Aufreibblaschen aus Aluminium oder Objekte aus Kupfer oder Zink detektiert werden. Abhängend von den Legierungen, mit denen sie gemacht wurden, lösen 15 % der Goldringe einen mittleren Ton aus.
3. Ein hoher Ton signalisiert Objekte aus Messing oder Silber. Stark oxidiertes Eisen könnte einen mittleren oder einen hohen Ton auslösen.

4. Betrieb

- 1- Knopf für Lautstärkenregelung
- 2- Tastenfeld
- 3- Tasten für Betriebsmodus
- 4- Tasten für Regelmodus
- 5- Up und Down-Tasten
- 6- Stromschalter
- 7- Kopfhörer-Buchse



a) Metalldetektor einschalten

Setzen Sie den Knopf für die Lautstärkenregelung auf 12 Uhr (in der Mitte, zwischen Min. und Max.)

Stellen Sie den Stromschalter (6) auf ON. Alle Symbole erscheinen auf dem LCD-Display. Der Detektor erzeugt einen hohen, mittleren, und niedrigen Ton.

Nach ungefähr zwei Sekunden wird der Detektor automatisch auf den ALL METALL-Modus, mit den Up (oben) und Down (unten)-Tasten (5) für die Regelung der Empfindlichkeit (SENS) umschalten. Der Standardwert für die Empfindlichkeit ist 5.

b) Betriebsmodus einstellen

Der Detektor hat drei Betriebsmodi: ALL METAL, DISC und NOTCH. Sie können den gewünschten Modus wählen, indem Sie auf die entsprechende Taste auf der linken Seite des Tastenfeldes drücken (3). Egal um welchen Modus es sich handelt, wenn der Detektor etwas detektiert, wird er immer einen Ton erzeugen und den wahrscheinlichen Metalltyp mittels der Pfeile unter den Ikonen anzeigen. Auch wird er die Tiefe des Objektes angeben.

- ALL METAL: zum Detektieren von jedem Metalltyp. In diesem Modus kann nur den SENS-Wert angepasst werden.
- DISC: zur 'Zielunterscheidung'. Sie können den Zielbereich einstellen, indem Sie auf die DISC/NOTCH-Taste und (4) auf die UP oder DOWN-Taste drücken (5). Der Detektor kann die Metalltypen, die auf dem Display stehen, orten, alle anderen Typen werden nicht angezeigt. Z.B. wenn Sie den DISC-Bereich auf 4 einstellen, wird der Detektor im Bereich S-CAPS, 1¢ oder 25¢ detektieren während die anderen Metalltypen ignoriert werden. Sie können den Bereich nur von Silber auf Gold vergrößern.
- NOTCH: zum Detektieren von reineren Silber- oder Goldtypen. Wenn Sie auf die Taste für den NOTCH-Betriebsmodus drücken, wird nur im Bereich ganz links oder ganz rechts angezeigt werden. Der Detektor wird nur ziemlich reine Silber- oder Goldtypen orten und die meisten Legierungen ignorieren. Indem Sie auf den DISC/NOTCH-Taste und dann die Up-Taste drücken, wird der Bereich vergrößern und werden auch unreineren Objekte detektiert. Dieser Modus geht von den Reinmetallen an beiden Seiten des Detektionsbereiches auf die Mitte zu.

c) Detektor prüfen und verwenden

Um herauszufinden wie der Detektor auf verschiedene Metalltypen reagiert, empfehlen wir, dass Sie das Gerät vor der ersten Anwendung mal prüfen. Sie können ihn im und außer Hause prüfen.

- Im INNENBEREICH prüfen und verwenden:

ANMERKUNG: Prüfen Sie den Detektor nie auf dem Fußboden eines Gebäudes. Die meisten Gebäude haben irgendeinen Metalltyp im Boden, der Störung verursachen oder das Signal sogar völlig maskieren kann.

1. Stellen Sie den Stromschalter auf ON.
2. Selektieren Sie den Betriebsmodus.
3. Legen Sie den Detektor auf einen Tisch aus Holz oder Kunststoff und legen Sie mögliche Uhren, Ringe oder Schmuckwaren ab.
4. Kippen Sie die Suchsonde so, dass die Suchfläche nach oben gerichtet ist.
5. Bewegen Sie langsam ein Muster des Materials (z.B. einen goldenen Ring oder eine Münze), das Sie prüfen wollen, in einer Höhe von ungefähr 10 cm über der Suchsonde. Wenn der Detektor ein Objekt im gewählten Bereich feststellt, dann ertönt ein Signal und erscheint bei der 'Zielikone' ein Pfeil. Das LCD zeigt die Tiefe des Ziels an.

ANMERKUNG: Wenn Sie eine Münze verwenden, wird der Detektor sie leichter orten können, wenn Sie die flache Seite der Münze parallel zu der flachen Seite der Suchsonde halten. Der dünne Rand der Münze könnte ein falsches Ergebnis und eine instabile Wiedergabe des Pfeils verursachen.

- Im AUßENBEREICH prüfen und verwenden

1. Stellen Sie den Stromschalter auf ON.
2. Selektieren Sie den Betriebsmodus.
3. Suchen Sie draußen eine metallfreie Zone.
4. Legen Sie das Material, das der Detektor orten soll (z.B. einen goldenen Ring oder eine Münze), auf den Boden.

ANMERKUNG: Wenn Sie ein wertvolles Objekt wie z.B. Gold verwenden, markieren Sie die Zone wo Sie das Objekt gelegt haben, so können Sie es später wieder zurückfinden.

5. Halten Sie die Suchsonde in einer Höhe von ungefähr 5cm parallel zu dem Boden. Bewegen Sie den Detektor langsam hin und her über der Zone, wo sie das Objekt gelegt haben.
6. Wenn der Detektor das Objekt gefunden hat, ertönt ein Audiosignal und werden ein Pfeil und die Tiefe auf dem Display unter der 'Zielikone' erscheinen.
7. Wenn der Detektor das Objekt nicht orten kann, vergewissern Sie sich, dass der Bereich korrekt für den zu suchenden Metalltyp eingestellt ist. Achten Sie auch darauf, dass Sie die Suchsonde korrekt bewegen.

d) Hinweise für das Bewegen der Suchsonde

Bewegen Sie die Suchsonde nie, als wäre sie ein Pendel. Die Suchsonde in einem Schwung oder am Ende hochheben führt zu falschen Messergebnissen.

- Langsam bewegen (schwingen). Wenn Sie zu schnell bewegen können Sie Objekte verfehlen.
- Es ist empfehlenswert, die Suchsonde in einer geraden Linie und parallel zu dem Boden hin und her zu schwingen.
- Der Detektor erzeugt ein Audiosignal wenn er wertvolle Objekte detektiert. Wenn sich das Signal nicht wiederholt wenn Sie verschiedene Male über das Ziel bewegen, dann ist das Ziel wahrscheinlich Schrott.
- Falsche Signale können durch verschmutzten Boden, elektrische Störung oder große Stücke Schrott verursacht werden.
- Falsche Signale sind meistens unregelmäßig oder nicht reproduzierbar.

e) Empfindlichkeit anpassen

Wenn Sie mit dem Gerät vertraut sind, ist es wichtig die Empfindlichkeit fein abzustimmen, mit der Absicht die besten Ergebnisse zu bekommen. Drücken Sie auf die SENS-Taste und drücken Sie auf 'Up' oder 'Down' um die Empfindlichkeit zu erhöhen oder zu mindern. Die Empfindlichkeitsstufe können Sie vom Display (hoch-niedrig) ablesen. ANMERKUNG: um ein Objekt, das sich tief im Boden befindet, detektieren zu können, müssen Sie die SENS auf 'hoch' einstellen. Aber stellen Sie die Empfindlichkeit nicht auf MAX ein, denn das Gerät wird Störung und falsche Signale von Sendemasten und anderen elektronischen Leitungen empfangen. Die Audiosignale werden unregelmäßig sein und der Pfeil wird unstabil sein.

f) Ziel haargenau orten

Ein Ziel haargenau orten, vereinfacht das Aufgraben wesentlich. Aber das erfordert Übung. Wir empfehlen, dass Sie üben und versuchen Objekte auf Ihrem Eigentum zu suchen, bevor Sie an anderen Orten suchen.

Folgen Sie diesen Schritten um ein Objekt zu orten:

1. Wenn der Detektor ein verdecktes Objekt findet, bewegen Sie die Suchsonde nach wie vor in einer immer kleiner werdenden Bewegung.
2. Merken Sie sich die exakte Stelle am Boden, an der der Detektor gepiepst hat.
3. Halten Sie die Suchsonde exakt über dieser Stelle. Bewegen Sie die Suchsonde verschiedene Male vor- und rückwärts und merken Sie sich erneut wo der Detektor ein Signal erzeugt.
4. Wiederholen Sie Schritte 1-3, immer rechtwinklig auf der letzten Bewegung. Markieren Sie diese Stelle mit 'X'. Das Objekt wird sich senkrecht unter dem X befinden.

g) Faktoren die das Detektieren beeinflussen

Es ist schwierig ein exaktes Ergebnis zu bekommen. Diese Faktoren erschweren die Detektion:

- der Winkel, unter dem das Objekt im Boden vergräbt ist
- die Tiefe des Objektes
- der Oxidationsgrad des Objektes
- die Größe des Objektes
- elektromagnetische und elektrische Störung in der Nähe des Objektes.

Wenn Sie geduldig und korrekt detektieren und verschiedene Male üben, werden Sie befriedigende Ergebnisse bekommen.

h) Kopfhörer benutzen

1. Vergewissern Sie sich, dass der Kopfhörer einen 3.5mm -Stecker hat.
2. Stellen Sie den Knopf für die Lautstärkenregelung auf 0.
3. Stecken Sie den Stecker der Kopfhörer in die Buchse. Der interne Lautsprecher wird automatisch abgeschaltet.
4. Stellen Sie die Lautstärkenregelung in die gewünschte Position. Hören Sie nie bei voller Lautstärke, es könnte zu partiellen oder permanenten Gehörschäden führen.

5. Wartung & Pflege

Ihr **CMD02** Metalldetektor ist ein Beispiel ausgezeichneten Designs und handwerklichen Könnens. Die folgenden Hinweise werden Ihnen helfen, Ihren Metalldetektor zu warten und zu pflegen, so dass Sie ihn jahrelang genießen können.



- Gehen Sie vorsichtig mit dem Gerät um. Fallen kann die Leitungen und das Gehäuse beschädigen und kann dazu führen, dass der Metalldetektor nicht mehr korrekt funktioniert.



- Verwenden Sie den Detektor nur in einer normalen Umgebungstemperatur. Extreme Temperaturen können die Lebensdauer elektronischer Geräte kürzen oder das Gehäuse beschädigen. Von Staub und Schmutz fernhalten. Staub und Schmutz können frühzeitigen Verschleiß verursachen.



- Machen Sie den Detektor manchmal sauber mit einem feuchten Tuch. So sieht er immer neu aus.



- Verwenden Sie keine Chemikalien, Lösemittel oder starke Reinigungsmittel.

**Für mehr Informationen zu diesem Produkt, siehe www.perel.eu.
Alle Änderungen vorbehalten.**

CMD02 – DETECTOR DE METAIS

1. Características & aplicações

Aos residentes da União Europeia

Informações importantes sobre o meio ambiente com respeito a este produto.



Este símbolo no aparelho ou na embalagem indica que a eliminação de um aparelho em fim de vida pode poluir o meio ambiente.

■ Não deite um aparelho eléctrico ou electrónico (e pilhas eventuais) no lixo doméstico sem escolha selectiva ; deve ir a uma empresa especializada em reciclagem. Devolva os aparelhos ao seu fornecedor ou um serviço de reciclagem local.

Convém respeitar as regras locais relativas a protecção do meio ambiente.

Em caso de dúvidas, contactar as autoridades locais para eliminação.

Obrigado por ter comprado o detector **CMD02**! Leia este manual cuidadosamente antes de utilizar o seu **CMD02**.

Com o seu detector de metais **CMD02**, pode procurar moedas, jóias, ouro ou prata em qualquer lugar.

Este detector é fácil de utilizar. As características principais são:

Ecrã LCD : indica com a seta que tipo de metal foi detectado, a que profundidade se encontra, a gama DISC/NOTCH, o nível de sensibilidade, o modo de utilização e um indicador de nível das pilhas.

Discriminação áudio a 3 sons : para os diferentes metais, o aparelho produz sons diferentes

Disc/Notch : ignora o ferro, mas detecta objectos preciosos em seleccionando ou ignorando os metais.

Saída para auscultadores : permite utilizar auscultadores (não incluído) e trabalhar tranquilamente.

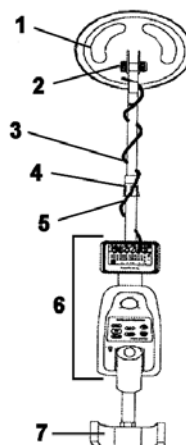
Cabeça de detecção estanque : pode utilizar o detector com a cabeça debaixo de água.

Observação: o seu detector de metais necessita de duas pilhas alcalinas 9V (não incluídas).

2. Preparação

a) Montagem do detector

- 1- Cabeça de detecção
- 2- Fixação da cabeça de detecção
- 3- Tubo
- 4- Porca de fixação
- 5- Cabo
- 6- Painel de comando
- 7- Apoio do braço



Montar o detector de metais é fácil e não necessita de ferramentas particulares. Siga as instruções:

1. Desapertar e retirar a fixação (2) da cabeça de detecção. Colocar o tubo no suporte da cabeça de detecção e alinhar os buracos. Colocar a porca nos orifícios e apertar.

CUIDADO: Não forçar o sistema de fixação. Não utilizar alicates ou outros.

2. Colocar o apoio do braço (7) na outra ponta do tubo, e apertar.

3. Desapertar ligeiramente a porca de fixação (4), pode ajustar o comprimento do tubo (3).

4. Ajustar o comprimento do tubo de maneira que a bobina de detecção se encontre a uns cinco centímetros do chão quando se encontra com o detector posicionado no braço

5. Apertar a porca de fixação (4).

6. Enrole o cabo da bobina de detecção a volta do tubo, não muito apertado. Ligue a ficha a tomada na parte traseira do ecrã LCD. Verifique os contactos da ficha com a tomada.

CUIDADO: a ficha só entra de uma maneira na tomada. Não forçar a ficha, pode danificá-la.

7. Desapertar a fixação da bobina de detecção, adaptar o ângulo da bobina e apertar a fixação.

b) Instalação das pilhas

1. Assegurar-se que o aparelho está desligado.
2. Retirar as tampas das pilhas na parte traseira do painel.
3. Colocar uma pilha de 9V em cada compartimento, respeita a polaridade indicada (+ e -).
4. Colocar a tampa das pilhas.

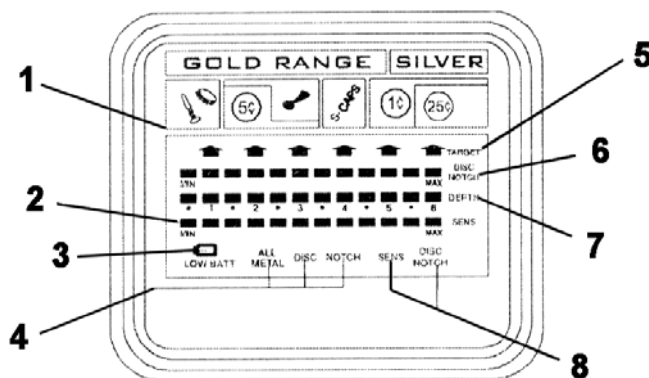
Com respeito as pilhas

- Utilize unicamente pilhas alcalinas novas do formato e voltagem recomendada.
- Não misturar pilhas novas e usadas, nem de diferente tipo.
- Se não utilizar o aparelho durante uma semana, retire as pilhas.
- Produtos químicos, que prejudicam os circuitos electrónicos podem escapar das pilhas não utilizadas.
- Coloque as pilhas usadas no sítio apropriado. Não deitar fora, queimar ou enterrar.

3. Funções & indicações

a) ecrã

- 1- ícones
- 2- nível de sensibilidade
- 3- indicador de pilhas fracas
- 4- indicador do modo de utilização
- 5- indicador de objecto
- 6- campo disc/notch
- 7- indicador de profundidade
- 8- indicador sensibilidade ou disc/notch



O indicador de objectos consiste no ecrã LCD e nos ícones. No momento que o detector detecta um objecto, uma seta aparece debaixo do ícone do tipo de metal provável. A profundidade do objecto está indicada.

- Se o detector captar um sinal forte, a seta será fixa. Num sinal fraco, a seta será intermitente ou não aparece.

- Depois de 5 segundos sem detecção, a seta desaparece.

- Os ícones não são pontos de referência visuais para o ajudar a determinar se vale a pena procura em profundidade.

CAMPO OURO (GOLD):

- Ferro/metal em folhas (ícone de parafuso): o objecto é provavelmente ferro ou metal em folhas. Alguns objectos em ferro ferrugento pode causar uma detecção no campo PRATA (SILVER).
- Níquel (ícone 50): será provavelmente de uma moeda níquelada.
- Caricas de garrafas (ícone carica): é provavelmente uma carga alumínio. Alguns objectos em ouro podem causar uma detecção neste campo.
- S-CAPS: Pode se tratar de uma tampa de rosca. Alguns pequenos objectos em ouro podem causar uma detecção neste campo.
- Zinco cobre (ícone 10): Pode se tratar de um objecto de zinco ou cobre. Alguns objectos em ouro grandes podem causar uma detecção neste

CAMPO PRATA (ícone 1¢/25¢):

O objecto é provavelmente uma moeda em prata. Alguns objectos em alumínio podem causar uma detecção neste campo.

b) sinais

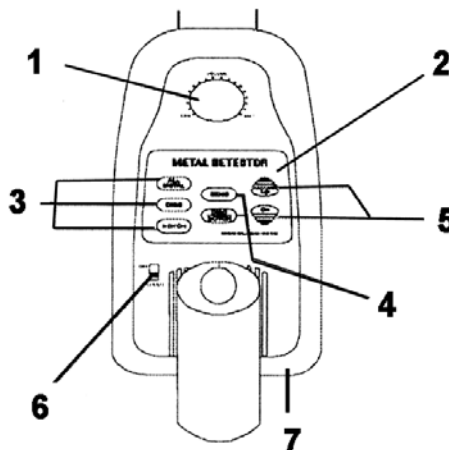
Em modo ALL METAL, o detector emite um único som quando detecta qualquer metal.

Em modo DISC ou NOTCH, emite um som único para cada uma das três categorias de metais. Pode detectar mais facilmente o tipo de metal.

- O detector emite um sinal grave para um pequeno objecto em ouro, um preço, uma carga, cápsula ou níquel.
- Uma tonalidade média indica tampas de alumínio, ou objectos em zinco ou cobre. Depende da composição, 15% dos anéis em ouro provocam um sinal médio.
- Um sinal agudo indica prata ou latão. Ferro ferrugento pode causar este sinal.

8. Uso

- 1- botão de volume
- 2- painel de botoes
- 3- botões modo de utilização
- 4- botões modo de ajuste
- 5- botões modo: 'Up' e 'Dn' (down)
- 6- interruptor de alimentação
- 7- saída auscultadores



a) Ligar o detector

Primeiro coloque o botão de volume na posição 12h (meio aberto).

Ligar o interruptor de alimentação (6). Todos os símbolos aparecem no ecrã LCD, o detector emite um sinal agudo, médio e grave.

Depois de 2 segundos, o detector passa em modo ALL METAL, mediante os botões de ajuste (5) disponíveis para o ajuste de sensibilidade (SENS). O valor standard da sensibilidade é 5.

b) Determinar o modo de utilização

O detector tem 3 modos de utilização: ALL METAL, DISC e NOTCH. Pode determinar o modo carregando no botão (3) na parte esquerda do painel. Em todos os modos, na detecção, o detector vai emitir um sinal, indicar o tipo de metal provável com a seta, e indicar a profundidade do objecto.

- a. ALL METAL: para todo o tipo de metais. Neste modo, unicamente a sensibilidade pode ser ajustada.
- b. DISC: permite uma discriminação. Pode ajustar o campo carregando no botão DISC/NOTCH (4), seguido por Up ou Dn (5). O detector pode detectar no campo indicado no ecrã. Todo outro tipo de metal não é sinalizado. Por exemplo: com o nível DISC em 4, o aparelho vai detectar os campos 25¢, 1¢ e S-CAPS ; os outros tipos de metais são ignorados. Pode estender unicamente a parte prata (a direita) para ouro (a esquerda).
- c. NOTCH: para detectar formas mais puras de prata ou ouro. Quando carrega no botão NOTCH (3), o detector visualiza um bloco a direita e um bloco a esquerda do campo. O detector ira unicamente detectar formas mais puras de prata e ouro e ignorar a maior parte dos outros metais. No caso de carregar no botão DISC/NOTCH (4), de seguida no botão Up (5), o campo ira aumentar dos dois lados. Objectos menos puros serão igualmente detectados. Este modo trabalha dos dois lados do campo de detecção para o centro.

c) Teste e utilização do detector

Para se familiarizar com a reacção do detector nos diferentes tipos de metais, deve fazer alguns testes antes de ser utilizado no terreno. Pode fazer testes no interior como no exterior.

- Teste INTERIOR

OBSERVAÇÃO: Não fazer testes no betão. Na maior parte dos interiores a vários tipos de metais no chão, isso irá provocar uma distorção no resultado.

1. Colocar o interruptor de alimentação (POWER) em ON.
2. Seleccionar o modo operativo.
3. Colocar o detector numa mesa em madeira ou plástico. Afastar qualquer anel, relógio ou outros objectos metálicos que possa ter.
4. Ajustar o ângulo do disco de maneira que a parte plana da cabeça de detecção esteja dirigida para o tecto.
5. Mover lentamente o objecto do teste (por exemplo um anel ou moeda) a uns 5 centímetros por cima da cabeça de detecção. Quando for detectado irá emitir um sinal, uma seta aparece no ícone aplicável. O detector indica igualmente a profundidade do objecto.

- Teste EXTERIOR

1. Colocar o interruptor de alimentação (POWER) em ON.
2. Seleccionar o modo operativo.
3. Escolha um terreno sem metais no solo.
4. Colocar o objecto de teste (por exemplo um anel ou moeda) no solo.
OBSERVAÇÃO : Quando utiliza um objecto valioso (em ouro, por exemplo), marque claramente o sítio aonde foi colocado, isto no caso de não o encontrar. Não coloque em sítios com erva alta.
5. Varrer lentamente a zona do objecto, com a cabeça de detecção entre 2 à 5 cm do chão.
6. Quando detectar um metal irá ouvir um sinal, uma seta aparece no ícone. O detector indica igualmente a profundidade.
7. No caso de não detectar no teste, verifique o modo de utilização e ajustes, podem não estar adaptados ao tipo de metal. Verifique se esta a mover bem a cabeça de detecção.

d) procura eficaz

- Não mexer a cabeça de detecção como um pêndulo. Se levantar a cabeça, obtêm falsas indicações.
- Mova a cabeça lentamente para não falhar o objecto.
- O movimento ideal da cabeça de detecção é lateral e em linha recta, mantendo a mesma distancia do chão.
- O detector emite um sinal sonoro quando detecta objectos metálicos. No caso do sinal não se repetir depois de varias passagens no local, o objecto ou metal é provavelmente sem valor.
- Solo contaminado, interferências eléctricas muito lixo metálico podem causar falsos sinais.
- Falsos sinais são geralmente irregulares.

e) ajuste de sensibilidade (SENS)

Depois de dominar as técnicas básicas, será importante ajustar a sensibilidade para localizar objectos ou metais que desejar. Carregue no botão de modo de ajuste SENS. Depois, carregue no botão 'Up' ou 'Dn) para modificar o nível de sensibilidade. O nível de sensibilidade pode ser lido na parte debaixo do ecrã LCD.

OBSERVAÇÃO: para encontrar objectos profundamente enterrados, seleccione um nível de sensibilidade elevado. Sem utilizar o nível máximo porque o detector recebe interferências e sinais falsos de antenas de radiodifusões e de outras linhas eléctricas. O detector indicara sinais irregulares.

f) determinar uma localização

Uma localização exacta de um objecto facilita o desenterramento, mas exige alguma pratica. Aconselhamos que pratique com pequenos objectos.

Siga estes passos para localizar o objecto:

1. Ao detectar um objecto enterrado, diminuir a oscilação lateral.
2. Marque visualmente o lugar exacto aonde o detector emitiu o sinal.
3. Estabilizar a cabeça de detecção no sítio exacto. De seguida mover a cabeça da frente para trás para fazer uma localização num ângulo diferente.

4. Repetir os pontos 1 à 3, em perpendicular a ultima procura. Marcar com uma cruz (X) o local exacto. O objecto encontra-se no ponto X.

g) Elementos que podem influenciar a detecção

Ninguém detecta metais a 100%. Alguns elementos podem influenciar a sua procura :

- O ângulo do objecto no solo
- A profundidade do objecto
- A ferrugem do objecto
- O tamanho do objecto
- Campos de perturbação electromagnéticos e eléctricos a volta do objecto.

Com muita paciência e muitas horas de pratica pode obter um máximo de resultados.

h) Utilizar os auscultadores

1. Verificar que os auscultadores estão equipados de uma ficha 3.5mm.
2. Colocar o botão de controlo de volume no zero.
3. Ligar a ficha a saída PHONE. O altifalante incorporado fica desligado.
4. Ajustar o volume. Nunca utilize o volume máximo ; pode causar percas de audição parcial ou permanente.

9. Precauções & manutenção

O seu detector de metais **CMD02** é um modelo de design e técnica elevado. Estas sugestões irão ajuda-lo a manter o seu **CMD02** em boas condições, para ser utilizado sem problemas durante anos.



- a. Utilize o detector com cuidado e precaução. As quedas podem danificar o seu aparelho ao nível dos circuitos, podem provocar um mau funcionamento.



- b. Utilize o seu detector com temperaturas normais. Temperaturas extremas podem diminuir a vida das peças electrónicas, ou partes plásticas.



- c. Guarde o detector ao abrigo do pó. Estes elementos podem causar um desgaste prematuro de certas peças.



- d. Limpar o detector depois de utilizado com um pano húmido. Não limpe com agentes químicos, solventes ou detergentes.

Lei n.o 121/99 de 20 de Agosto

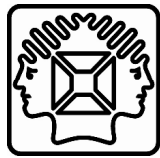
Utilização de detectores de metais

1 — É proibida a utilização de detectores de metais na pesquisa de objectos e artefactos relevantes para a história, para a arte, para a numismática ou para a arqueologia.

2 — É igualmente proibida a utilização e o transporte de detectores de metais não licenciados para efeito de pesquisa em monumentos e sítios arqueológicos classificados ou em vias de classificação, nos termos da Lei n.o 13/85, de 6 de Julho.

Para mais informações sobre artigos, consulte o nosso site web www.perel.eu.

Todas as informações presentes neste manual podem ser modificadas sem notificação prévia.



velleman[®]_{NV}

R&TTE Declaration of Conformity
R&TTE Verklaring van overeenstemming
Déclaration de conformité R&TTE
R&TTE Konformitätserklärung
Declaración de conformidad R&TTE



We / Wij / Nous / Wir / Nostros

Velleman NV
Legen Heirweg, 33
9890 Gavere (België)

Declare on our own responsibility that the finished product(s) :
Verklaren op eigen verantwoordelijkheid dat het afgewerkte product :
Déclarons sous notre propre responsabilité que le produit fini :
Erklären voll verantwortlich dass nachfolgendes Produkt :
Declaramos bajo nuestra responsabilidad que el producto mencionado a continuación :

Brand / Merk / Marque / Marke / Marca :

PEREL

Trade name / Handelsnaam / Denomination commerciale / Markenname / Denominación comercial:

Metal detector with LCD display
Metaaldetector met LCD display
Detecteur de métaux avec afficheur LCD
Metalldetektor mit LCD display
Detector de metales con display LCD

Type or model / Type of model / Type ou modèle / Typoder Modell / Tipo o modelo :

CMD02

Constituting the subject of this declaration, conforms with the essential requirements and other relevant stipulations of the R&TTE Directive (1999/5/EC).

Die het voorwerp uitmaakt van deze verklaring, voldoet aan de essentiële vereisten en andere relevante bepalingen van de R&TTE Richtlijn (1999/5/EC).

Faisant l'objet de la présente déclaration, satisfait aux exigences essentielles et toute autre stipulation pertinente de la directive R&TTE Directive (1999/5/EC).

Auf das sich diese Erklärung bezieht, den grundlegenden Anforderungen und anderen relevanten Vereinbarungen der R&TTE-Richtlinie (1999/5/EC) entspricht.

Cumple los requisitos esenciales y las otras estipulaciones relevantes de la Directiva R&TTE (1999/5/EC).

The product is in conformity with the following standards:

Het product voldoet aan de volgende normen:

Le produit est conforme aux normes suivantes:

Das Produkt entspricht den folgenden Normen:

Es conforme a las siguientes normas:

EN 300 330-2 V1.3.1

EN 301 489-01 V1.8.1

EN 301 489-03 V1.4.1

Based on intertek report for CS100N and CS130 which are practical identic

Technical data are available and can be obtained from :

Les données techniques sont disponibles et peuvent être obtenues chez :

Technische gegevens zijn beschikbaar en kunnen worden aangevraagd bij :

Die technische Dokumentation zu den oben gennanten Produkten wird geführt bei:

Los datos técnicos están disponibles y pueden ser solicitados a:

Velleman NV

Legen Heirweg, 33

9890 Gavere (België)

Place and date of issue / Plaats en datum van uitgifte / Place et date d'émission / Ort und Datum der Ausstellung / Lugar y fecha de emisión :

Gavere, 15/10/2009 (revised)

Authorised signatory for the company / Bevoegde ondertekenaar voor de firma / Signataire autorisé(e) de la société / Bevollmächtigte Person / Responsable de la empresa:

Vince Van Balberghe - QC Manager



EN**Velleman® Service and Quality Warranty**

Since its foundation in 1972, Velleman® acquired extensive experience in the electronics world and currently distributes its products in over 85 countries.

All our products fulfil strict quality requirements and legal stipulations in the EU. In order to ensure the quality, our products regularly go through an extra quality check, both by an internal quality department and by specialized external organisations. If, all precautionary measures notwithstanding, problems should occur, please make appeal to our warranty (see guarantee conditions).

General Warranty Conditions Concerning Consumer Products (for EU):

- All consumer products are subject to a 24-month warranty on production flaws and defective material as from the original date of purchase.
 - Velleman® can decide to replace an article with an equivalent article, or to refund the retail value totally or partially when the complaint is valid and a free repair or replacement of the article is impossible, or if the expenses are out of proportion.
- You will be delivered a replacing article or a refund at the value of 100% of the purchase price in case of a flaw occurred in the first year after the date of purchase and delivery, or a replacing article at 50% of the purchase price or a refund at the value of 50% of the retail value in case of a flaw occurred in the second year after the date of purchase and delivery.

• Not covered by warranty:

- all direct or indirect damage caused after delivery to the article (e.g. by oxidation, shocks, falls, dust, dirt, humidity...), and by the article, as well as its contents (e.g. data loss), compensation for loss of profits;
 - consumable goods, parts or accessories that are subject to an aging process during normal use, such as batteries (rechargeable, non-rechargeable, built-in or replaceable), lamps, rubber parts, drive belts... (unlimited list);
 - flaws resulting from fire, water damage, lightning, accident, natural disaster, etc....;
 - flaws caused deliberately, negligently or resulting from improper handling, negligent maintenance, abusive use or use contrary to the manufacturer's instructions;
 - damage caused by a commercial, professional or collective use of the article (the warranty validity will be reduced to six (6) months when the article is used professionally);
 - damage resulting from an inappropriate packing and shipping of the article;
 - all damage caused by modification, repair or alteration performed by a third party without written permission by Velleman®.
- Articles to be repaired must be delivered to your Velleman® dealer, solidly packed (preferably in the original packaging), and be completed with the original receipt of purchase and a clear flaw description.
- Hint: In order to save on cost and time, please reread the manual and check if the flaw is caused by obvious causes prior to presenting the article for repair. Note that returning a non-defective article can also involve handling costs.
- Repairs occurring after warranty expiration are subject to shipping costs.
- The above conditions are without prejudice to all commercial warranties.

The above enumeration is subject to modification according to the article (see article's manual).

NL**Velleman® service- en kwaliteitsgarantie**

Velleman® heeft sinds zijn oprichting in 1972 een ruime ervaring opgebouwd in de elektronica wereld en verdeelt op dit moment producten in meer dan 85 landen. Al onze producten beantwoorden aan strikte kwaliteitseisen en aan de wettelijke bepalingen geldig in de EU. Om de kwaliteit te waarborgen, ondergaan onze producten op regelmatige tijdstippen een extra kwaliteitscontrole, zowel door onze eigen kwaliteitsafdeling als door externe gespecialiseerde organisaties. Mocht er ondanks deze voorzorgen toch een probleem optreden, dan kunt u steeds een beroep doen op onze waarborg (zie waarborgvoorwaarden).

Algemene waarborgvoorwaarden consumentengoederen (voor Europese Unie):

- Op alle consumentengoederen geldt een garantieperiode van 24 maanden op productie- en materiaalfouten en dit vanaf de oorspronkelijke aankoopdatum.
- Indien de klacht gegrond is en een gratis reparatie of vervanging van een artikel onmogelijk is of indien de kosten hiervoor buiten verhouding zijn, kan Velleman® beslissen het desbetreffende artikel te vervangen door een gelijkwaardig artikel of de aankoopsom van het artikel gedeeltelijk of volledig terug te betalen. In dat geval krijgt u een vervangend product of terugbetaling ter waarde van 100% van de aankoopsom bij ontdekking van een gebrek tot één jaar na aankoop en levering, of een vervangend product tegen 50% van de kostprijs of terugbetaling van 50 % bij ontdekking na één jaar tot 2 jaar.

• Valt niet onder waarborg:

- alle rechtstreekse of onrechtstreekse schade na de levering veroorzaakt aan het toestel (bv. door oxidatie, schokken, val, stof, vuil, vocht...), en door het toestel, alsook zijn inhoud (bv. verlies van data), vergoeding voor eventuele winstderving.
- verbruiksgoederen, onderdelen of hulpstukken die onderhevig zijn aan veroudering door normaal gebruik zoals bv. batterijen (zowel oplaadbare als niet-oplaadbare, gebouwd of vervangbaar), lampen, rubberen onderdelen, aandrijfriemen... (onbepaalde lijst).
- defecten ten gevolge van brand, waterschade, bliksem, ongevallen, natuurrampen, enz.
- defecten veroorzaakt door opzet, nalatigheid of door een onoordeelkundige behandeling, slecht onderhoud of abnormaal

gebruik of gebruik van het toestel strijdig met de voorschriften van de fabrikant.

- schade ten gevolge van een commercieel, professioneel of collectief gebruik van het apparaat (bij professioneel gebruik wordt de garantieperiode herleid tot 6 maanden).
 - schade veroorzaakt door onvoldoende bescherming bij transport van het apparaat.
 - alle schade door wijzigingen, reparaties of modificaties uitgevoerd door derden zonder toestemming van Velleman®.
 - Toestellen dienen ter reparatie aangeboden te worden bij uw Velleman®-verdelers. Het toestel dient verzegeld te zijn van het oorspronkelijke aankoopbewijs. Zorg voor een degelijke verpakking (bij voorkeur de originele verpakking) en voeg een duidelijke foutomschrijving bij.
 - Tip: alvorens het toestel voor reparatie aan te bieden, kijk nog eens na of er geen voor de hand liggende reden is waarom het toestel niet naar behoren werkt (zie handleiding). Op deze wijze kunt u kosten en tijd besparen. Denk eraan dat er ook voor niet-defecte toestellen een kost voor controle aangerekend kan worden.
 - Bij reparaties buiten de waarborgperiode zullen transportkosten aangerekend worden.
 - Elke commerciële garantie laat deze rechten onverminderd.
- Bovenstaande opsomming kan eventueel aangepast worden naargelang de aard van het product (zie handleiding van het betreffende product).**

FR**Garantie de service et de qualité Velleman®**

Depuis 1972, Velleman® a gagné une vaste expérience dans le secteur de l'électronique et est actuellement distributeur dans plus de 85 pays.

Tous nos produits répondent à des exigences de qualité rigoureuses et à des dispositions légales en vigueur dans l'UE. Afin de garantir la qualité, nous soumettons régulièrement nos produits à des contrôles de qualité supplémentaires, tant par notre propre service qualité que par un service qualité externe. Dans le cas improbable d'un défaut malgré toutes les précautions, il est possible d'invoquer notre garantie (voir les conditions de garantie).

Conditions générales concernant la garantie sur les produits grand public (pour l'UE) :

- tout produit grand public est garanti 24 mois contre tout vice de production ou de matériaux à dater du jour d'acquisition effective ;
- si la plainte est justifiée et que la réparation ou le remplacement d'un article est jugé impossible, ou lorsque les coûts s'avèrent disproportionnés, Velleman® s'autorise à remplacer ledit article par un article équivalent ou à rembourser la totalité ou une partie du prix d'achat. Le cas échéant, il vous sera consenti un article de remplacement ou le remboursement complet du prix d'achat lors d'un défaut dans un délai de 1 an après l'achat et la livraison, ou un article de remplacement moyennant 50% du prix d'achat ou le remboursement de 50% du prix d'achat lors d'un défaut après 1 à 2 ans.

• sont par conséquent exclus :

- tout dommage direct ou indirect survenu à l'article après livraison (p.ex. dommage lié à l'oxydation, choc, chute, poussière, sable, impureté...) et provoqué par l'appareil, ainsi que son contenu (p.ex. perte de données) et une indemnisation éventuelle pour perte de revenus ;
- toute pièce ou accessoire nécessitant un remplacement causé par un usage normal comme p.ex. piles (rechargeables comme non rechargeables, intégrées ou remplaçables), ampoules, pièces en caoutchouc, courroies... (liste illimitée) ;
- tout dommage qui résulte d'un incendie, de la foudre, d'un accident, d'une catastrophe naturelle, etc. ;
- out dommage provoqué par une négligence, volontaire ou non, une utilisation ou un entretien incorrect, ou une utilisation de l'appareil contraire aux prescriptions du fabricant ;
- tout dommage à cause d'une utilisation commerciale, professionnelle ou collective de l'appareil (la période de garantie sera réduite à 6 mois lors d'une utilisation professionnelle) ;
- tout dommage à l'appareil qui résulte d'une utilisation incorrecte ou différente que celle pour laquelle il a été initialement prévu comme décrit dans la notice ;
- tout dommage engendré par un retour de l'appareil emballé dans un conditionnement non ou insuffisamment protégé.
- toute réparation ou modification effectuée par une tierce personne sans l'autorisation explicite de SA Velleman® ; - frais de transport de et vers Velleman® si l'appareil n'est plus couvert sous la garantie.
- toute réparation sera fournie par l'endroit de l'achat. L'appareil doit nécessairement être accompagné du bon d'achat d'origine et être dûment conditionné (de préférence dans l'emballage d'origine avec mention du défaut) ;
- tuyau : il est conseillé de consulter la notice et de contrôler câbles, piles, etc. avant de retourner l'appareil. Un appareil retourné jugé défectueux qui s'avère en bon état de marche pourra faire l'objet d'une note de frais à charge du consommateur ;
- une réparation effectuée en-dehors de la période de garantie fera l'objet de frais de transport ;
- toute garantie commerciale ne porte pas atteinte aux conditions susmentionnées.

La liste susmentionnée peut être sujette à une complémentarité selon le type de l'article et être mentionnée dans la notice d'emploi.

ES**Garantía de servicio y calidad Velleman®**

Desde su fundación en 1972 Velleman® ha adquirido una amplia experiencia como distribuidor en el sector de la electrónica en más de 85 países. Todos nuestros productos responden a normas de calidad rigurosas y disposiciones legales vigentes en la UE. Para garantizar la calidad, sometemos nuestros productos regularmente a controles de calidad adicionales, tanto a través de nuestro propio servicio de calidad como de un servicio de calidad externo. En el caso

improbable de que surgieran problemas a pesar de todas las precauciones, es posible recurrir a nuestra garantía (véase las condiciones de garantía).

Condiciones generales referentes a la garantía sobre productos de venta al público (para la Unión Europea):

- Todos los productos de venta al público tienen un período de garantía de 24 meses contra errores de producción o errores en materiales desde la adquisición original;
- Si la queja está fundada y si la reparación o sustitución de un artículo no es posible, o si los gastos son desproporcionados, Velleman® autoriza reemplazar el artículo por un artículo equivalente o reembolsar la totalidad o una parte del precio de compra. En este caso, usted recibirá un artículo de recambio o el reembolso completo del precio de compra si encuentra algún fallo hasta un año después de la compra y entrega, o un artículo de recambio al 50% del precio de compra o el reembolso del 50% del precio de compra si encuentra un fallo después de 1 año y hasta los 2 años después de la compra y entrega.

Por consiguiente, están excluidos entre otras cosas:

- todos los daños causados directa o indirectamente al aparato (p.ej. por oxidación, choques, caída,...) y a su contenido (p.ej. pérdida de datos) después de la entrega y causados por el aparato, y cualquier indemnización por posible pérdida de ganancias;
- partes o accesorios, que estén expuestos al desgaste causado por un uso normal, como por ejemplo baterías (tanto recargables como no recargables, incorporadas o reemplazables), bombillas, partes de goma, etc. (lista ilimitada);
- defectos causados por un incendio, daños causados por el agua, rayos, accidentes, catástrofes naturales, etc.;
- defectos causados a conciencia, descuido o por malos tratos, un mantenimiento inapropiado o un uso anormal del aparato contrario a las instrucciones del fabricante;
- daños causados por un uso comercial, profesional o colectivo del aparato (el período de garantía se reducirá a 6 meses con uso profesional);
- daños causados por un uso incorrecto o un uso ajeno al que está previsto el producto inicialmente como está descrito en el manual del usuario;
- daños causados por una protección insuficiente al transportar el aparato.
- daños causados por reparaciones o modificaciones efectuadas por una tercera persona sin la autorización explícita de Velleman®;
- se calcula gastos de transporte de y a Velleman® si el aparato ya no está cubierto por la garantía.
- Cualquier artículo que tenga que ser reparado tendrá que ser devuelto a su distribuidor Velleman®. Devuelva el aparato con la factura de compra original y transportélo en un embalaje sólido (preferentemente el embalaje original). Incluya también una buena descripción del fallo;
- Consejo: Lea el manual del usuario y controle los cables, las pilas, etc. antes de devolver el aparato. Si no se encuentra un defecto en el artículo los gastos podrían correr a cargo del cliente;
- Los gastos de transporte correrán a cargo del cliente para una reparación efectuada fuera del período de garantía.
- Cualquier gesto comercial no disminuye estos derechos.

La lista previamente mencionada puede ser adaptada según el tipo de artículo (véase el manual del usuario del artículo en cuestión).

DE

Velleman® Service- und Qualitätsgarantie

Seit der Gründung in 1972 hat Velleman® sehr viel Erfahrung als Verteiler in der Elektronikwelt in über 85 Ländern aufgebaut. Alle Produkte entsprechen den strengen Qualitätsforderungen und gesetzlichen Anforderungen in der EU. Um die Qualität zu gewährleisten werden unsere Produkte regelmäßig einer zusätzlichen Qualitätskontrolle unterworfen, sowohl von unserer eigenen Qualitätsabteilung als auch von externen spezialisierten Organisationen. Sollten, trotz aller Vorsichtsmaßnahmen, Probleme auftreten, nehmen Sie bitte die Garantie in Anspruch (siehe Garantiebedingungen).

Allgemeine Garantiebedingungen in Bezug auf Konsumgüter (für die Europäische Union):

- Alle Produkte haben für Material- oder Herstellungsfehler eine Garantieperiode von 24 Monaten ab Verkaufsdatum.
- Wenn die Klage berechtigt ist und falls eine kostenlose Reparatur oder ein Austausch des Gerätes unmöglich ist, oder wenn die Kosten dafür unverhältnismäßig sind, kann Velleman® sich darüber entscheiden, dieses Produkt durch ein gleiches Produkt zu ersetzen oder die Kaufsumme ganz oder teilweise zurückzuzahlen. In diesem Fall erhalten Sie ein Ersatzprodukt oder eine Rückzahlung im Werte von 100% der Kaufsumme im Falle eines Defektes bis zu 1 Jahr nach Kauf oder Lieferung, oder Sie bekommen ein Ersatzprodukt im Werte von 50% der Kaufsumme oder eine Rückzahlung im Werte von 50 % im Falle eines Defektes im zweiten Jahr.
- **Von der Garantie ausgeschlossen sind:**
 - alle direkten oder indirekten Schäden, die nach Lieferung am Gerät und durch das Gerät verursacht werden (z.B. Oxidation, Stöße, Fall, Staub, Schmutz, Feuchtigkeit, ...), sowie auch der Inhalt (z.B. Datenverlust), Entschädigung für eventuellen Gewinnausfall.
 - Verbrauchsgüter, Teile oder Zubehörteile, die durch normalen Gebrauch dem Verschleiß ausgesetzt sind, wie z.B. Batterien (nicht nur aufladbare, sondern auch nicht aufladbare, eingebaute oder ersetzbare), Lampen, Gummiteile, Treibriemen, usw. (unbeschränkte Liste).
 - Schäden verursacht durch Brandschaden, Wasserschaden, Blitz, Unfälle, Naturkatastrophen, usw.
 - Schäden verursacht durch absichtliche, nachlässige oder unsachgemäße Anwendung, schlechte Wartung, zweckfremdete Anwendung oder Nichtbeachtung von Benutzerhinweisen in der Bedienungsanleitung.

- Schäden infolge einer kommerziellen, professionellen oder kollektiven Anwendung des Gerätes (bei gewerblicher Anwendung wird die Garantieperiode auf 6 Monate zurückgeführt).

- Schäden verursacht durch eine unsachgemäße Verpackung und unsachgemäßen Transport des Gerätes.

- alle Schäden verursacht durch unautorisierte Änderungen, Reparaturen oder Modifikationen, die von einem Dritten ohne Erlaubnis von Velleman® vorgenommen werden.

• Im Fall einer Reparatur, wenden Sie sich an Ihren Velleman®-Verteiler. Legen Sie das Produkt ordnungsgemäß verpackt (vorzugsweise die Originalverpackung) und mit dem Original-Kaufbeleg vor. Fügen Sie eine deutliche Fehlerbeschreibung hinzu.

• Hinweis: Um Kosten und Zeit zu sparen, lesen Sie die Bedienungsanleitung nochmals und überprüfen Sie, ob es keinen auf der Hand liegenden Grund gibt, ehe Sie das Gerät zur Reparatur zurückschicken. Stellt sich bei der Überprüfung des Gerätes heraus, dass kein Geräteschaden vorliegt, könnte dem Kunden eine Untersuchungspauschale berechnet.

• Für Reparaturen nach Ablauf der Garantiefrist werden Transportkosten berechnet.

• Jede kommerzielle Garantie lässt diese Rechte unberührt.

Die oben stehende Aufzählung kann eventuell angepasst werden gemäß der Art des Produktes (siehe Bedienungsanleitung des Gerätes).

PT

Garantia de serviço e de qualidade Velleman®

Desde a sua fundação em 1972 Velleman® tem adquirido uma ampla experiência no sector da eletrónica com uma distribuição em mais de 85 países.

Todos os nossos produtos respondem a exigências rigorosas e a disposições legais em vigor na UE. Para garantir a qualidade, submetemos regularmente os nossos produtos a controlos de qualidade suplementares, com o nosso próprio serviço qualidade como um serviço de qualidade externo. No caso improvável de um defeito mesmo com as nossas precauções, é possível invocar a nossa garantia. (ver as condições de garantia).

Condições gerais com respeito a garantia sobre os produtos grande público (para a UE):

- qualquer produto grande público é garantido 24 mês contra qualquer vício de produção ou materiais a partir da data de aquisição efectiva;
- no caso da reclamação ser justificada e que a reparação ou substituição de um artigo é impossível, ou quando os custos são desproporcionados, Velleman® autoriza-se a substituir o dito artigo por um artigo equivalente ou a devolver a totalidade ou parte do preço de compra. Em outro caso, será consentido um artigo de substituição ou devolução completa do preço de compra no caso de um defeito no prazo de 1 ano depois da data de compra e entrega, ou um artigo de substituição pagando o valor de 50% do preço de compra ou devolução de 50% do preço de compra para defeitos depois de 1 a 2 anos.

• estão por consequência excluídos:

- todos os danos directos ou indirectos depois da entrega do artigo (p.ex. danos ligados a oxidação, choques, quedas, poeiras, areias, impurezas...) e provocado pelo aparelho, como o seu conteúdo (p.ex. perda de dados) e uma indemnização eventual por perda de receitas;
- consumíveis, peças ou acessórios sujeitos a desgaste causado por um uso normal, como p.ex. pilhas (recarregáveis, não recarregáveis, incorporadas ou substituíveis), lâmpadas, peças em borracha correias... (lista ilimitada);
- todos os danos que resultem de um incêndio, raios, de um acidente, de uma catastrophe natural, etc.;
- danos provocados por negligência, voluntária ou não, uma utilização ou manutenção incorrecta, ou uma utilização do aparelho contrária as prescrições do fabricante;
- todos os danos por causa de uma utilização comercial, profissional ou colectiva do aparelho (o período de garantia será reduzido a 6 meses para uma utilização profissional);
- todos os danos no aparelho resultando de uma utilização incorrecta ou diferente daquela inicialmente prevista e descrita no manual de utilização;
- todos os danos depois de uma devolução não embalada ou mal protegida ao nível do acondicionamento.
- todas as reparações ou modificações efectuadas por terceiros sem a autorização de SA Velleman®;
- despesas de transporte de e para Velleman® se o aparelho não estiver coberto pela garantia.
- qualquer reparação será fornecida pelo local de compra. O aparelho será obrigatoriamente acompanhado do talão ou factura de origem e bem acondicionado (de preferência dentro da embalagem de origem com indicação do defeito ou avaria);
- dica: aconselha-mos a consulta do manual e controlar cabos, pilhas, etc. antes de devolver o aparelho. Um aparelho devolvido que estiver em bom estado será cobrado despesas a cargo do consumidor;
- uma reparação efectuada fora da garantia, será cobrado despesas de transporte;
- qualquer garantia comercial não prevalece as condições aqui mencionadas.

A lista pode ser sujeita a um complemento conforme o tipo de artigo e estar mencionada no manual de utilização.

Made in PRC
Imported for PEREL by Velleman nv
Legen Heirweg 33, 9890 Gavere, Belgium
www.perel.eu