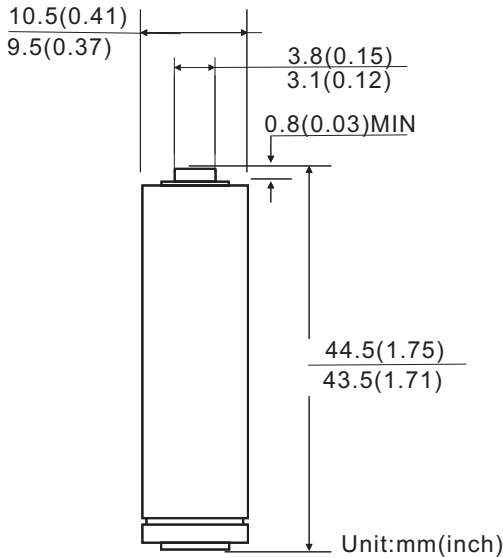


## Camelion LR03-Plus

## PLUS ALKALINE BATTERY

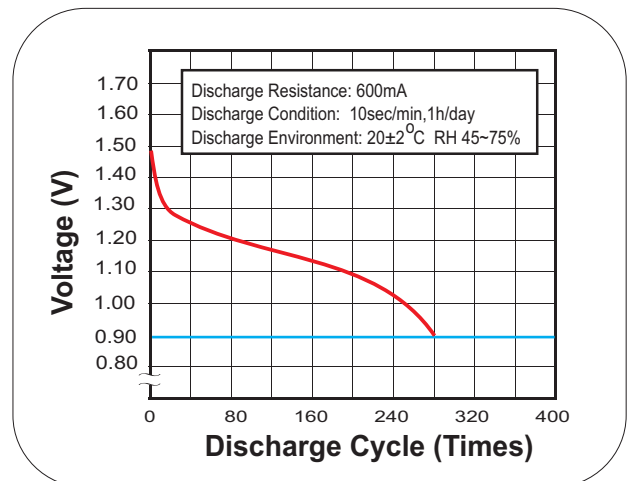
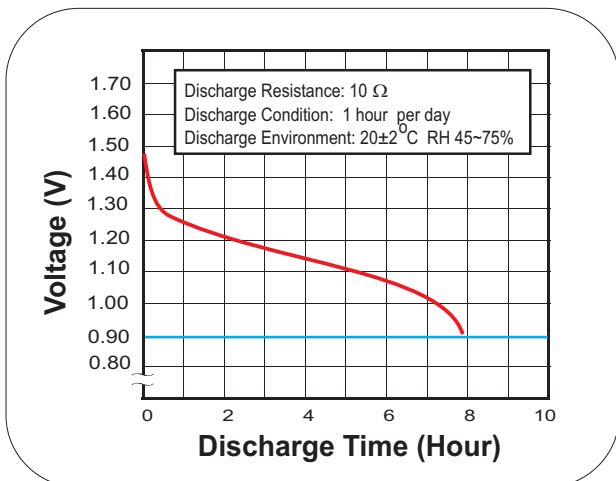
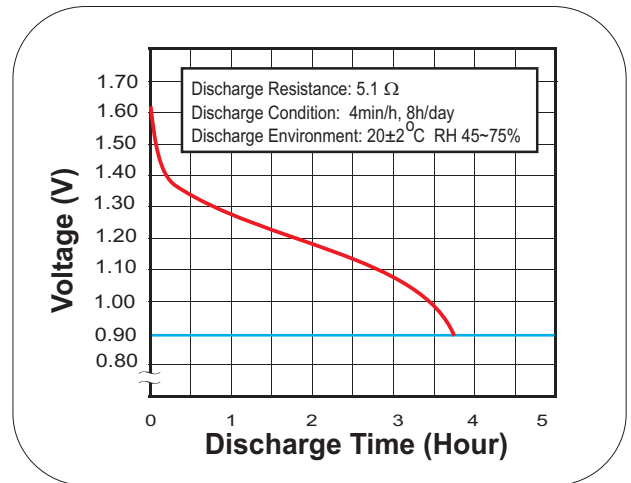
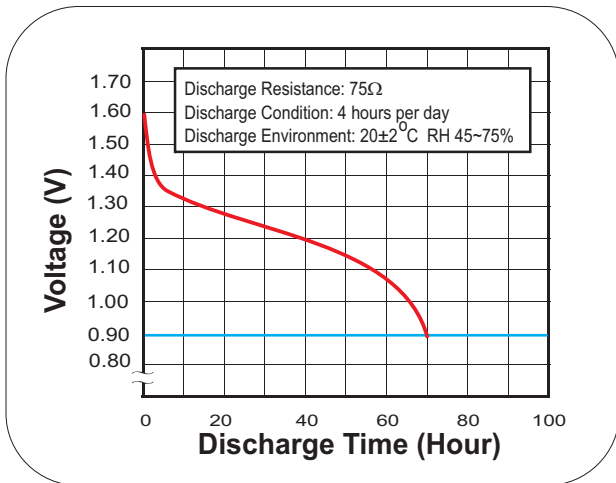


### Dimensions



### Specifications

**Chemical System :** Alkaline  
 Zinc-Manganese Dioxide (Zn/MnO<sub>2</sub>)  
**Camelion Model :** LR03  
**IEC No. :** LR03  
**ANSI/NEDA No. :** 24A (AAA)  
**Average Weight :** 11.8g  
**Dimension (∅ x H) :** 10.0<sup>±0.5</sup> x 44.0<sup>±0.5</sup> mm  
 0.40<sup>±0.02</sup> x 1.73<sup>±0.02</sup> inch  
**Terminals :** Flat  
**Nominal Voltage :** 1.5Volts  
**Average Capacity :** 1250 mAh to 0.8 volts  
 (20±2°C, Rated capacity at 25 mA continuous drain )  
**Jacket :** Aluminum Foil Label



**Notice:**

Environmental elements comply with RoHS requirements. This information is subject to change without prior notice and for reference only. It should not be used as a basis for a product guarantee or warranty. For additional information, please consult your nearest Camelion Sales Office or Distributor or visit our website at: [www.camelionbattery.com](http://www.camelionbattery.com).