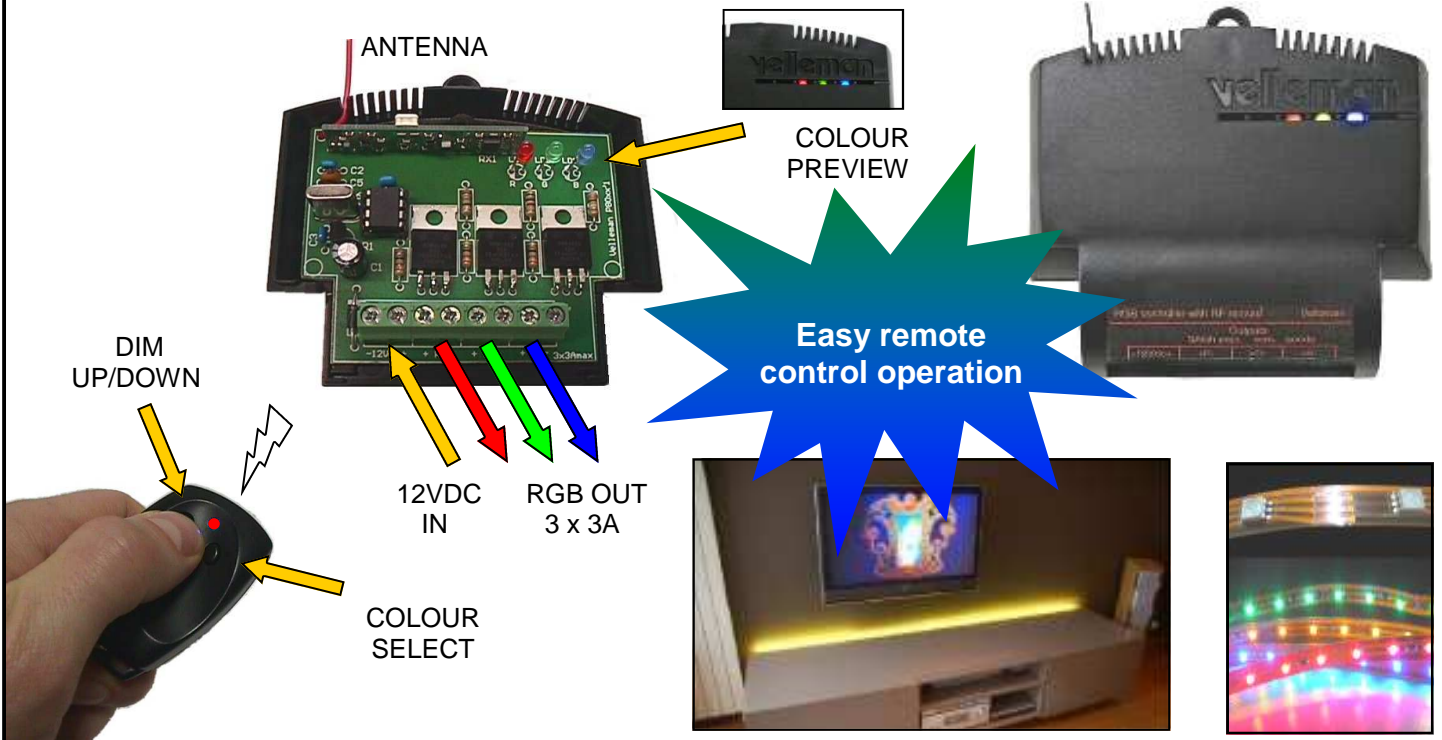




RGB LED STRIP COLOUR DIMMER

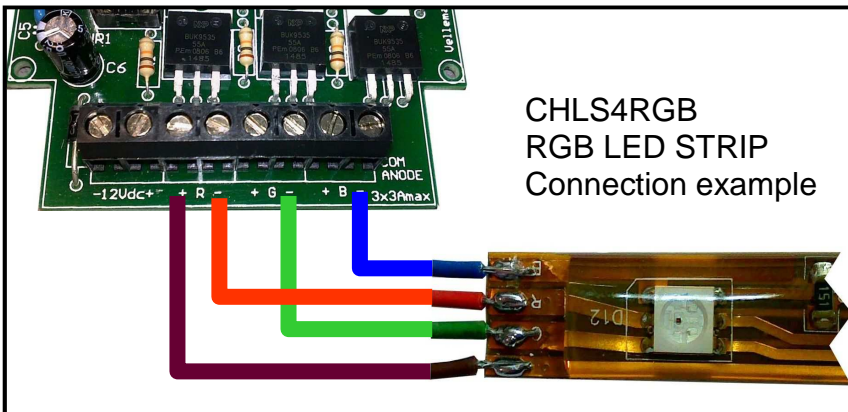
VM162



Hi power MOSFET outputs



Ideal for use with common anode led strips
e.g.
- CHLS4RGB
- LDB1-HS3027AC



Technical:

- 8 Transmitters auto-learning function
- Seven colour tones
- Ten dimming steps
- LED PWM freq: +/- 300Hz
- 3x 12V/3A outputs
- TX/RX: 433MHz operation
- Power supply: 12V / 9A max.
- Dimensions: approx 80x70x23mm

Not for USA / Canada

Optional extra transmitter: VM130T

DEMO UNIT AVAILABLE

- VM162DEMO, Includes:
- VM162 set
 - 12V adaptor
 - 50cm RGB LED strip CHLS4RGB

