

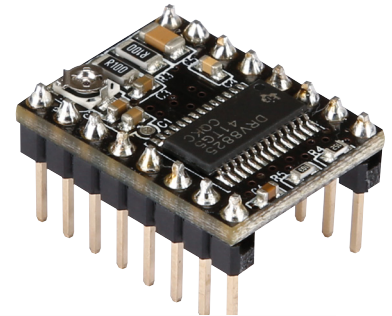
## DRV8825 STEPPER DRIVER BOARD

Order code: VM8400DB

Breakout board for TI DRV8825 microstepping bipolar stepper motor driver with adjustable current limiting, over-current and over-temperature protection and 6 microstep resolutions (down to 1/32-step). It allows you to control a bipolar stepper motor in a simple way.

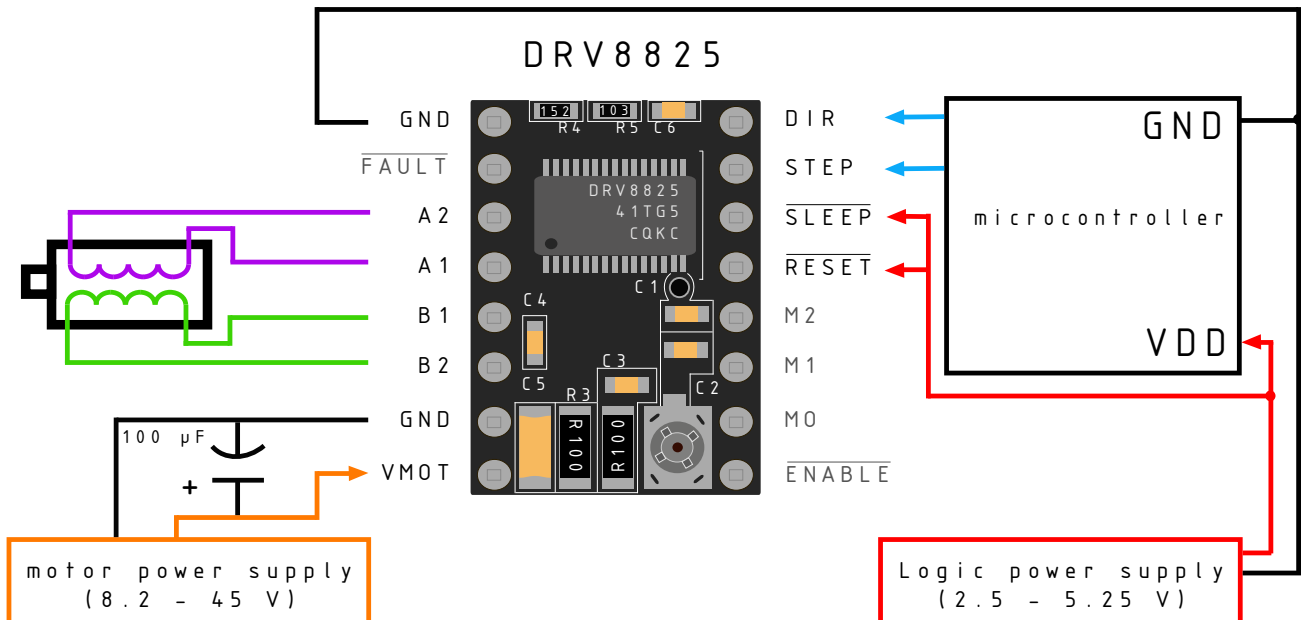
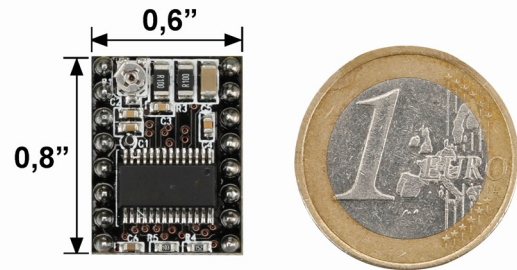
### Features:

- simple step and direction control interface
- six different step resolutions: full-step, half-step, 1/4-step, 1/8-step, 1/16-step, and 1/32-step
- current adjust trimmer
- can interface directly with 3.3 V and 5 V systems
- over-temperature thermal shutdown, over-current shutdown and under-voltage lockout
- short-to-ground and shorted-load protection



### Specifications:

- minimum operating voltage: 8.2 V
- maximum operating voltage: 45 V
- continuous current per phase: 1.5 A
- maximum current per phase: 2.2 A (with cooling)
- minimum logic voltage: 2.5 V
- maximum logic voltage: 5.25 V
- dimensions: 20 x 15 mm (0.8" x 0.6")



Also available: the [VM8400MB - ATMEGA 3D printer mainboard](#) and the [VM8201 - stand alone controller for 3D printer!](#)