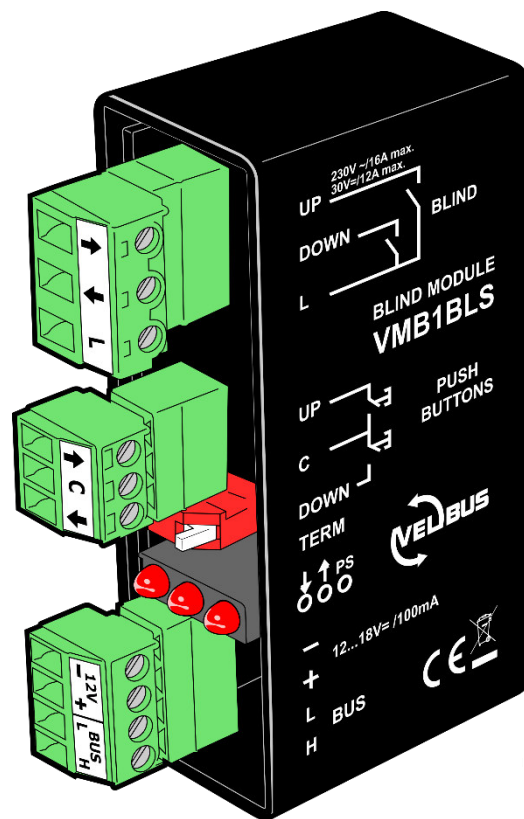


VMB1BLS

Single channel blind control module
for universal mounting

Manual





Content

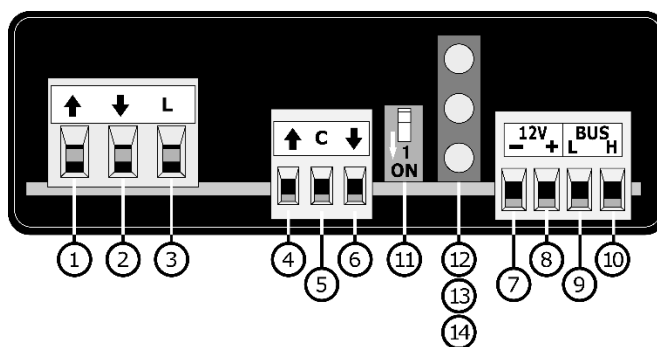
- 1. Description..... 3
- 2. Parts..... 3
- 3. Wiring diagram..... 3
 - 3.1. In a Velbus domotics-installation3
 - 3.2. Standalone.....4
- 4. Possibilities..... 5
 - 4.1. As part of a Velbus installation.....5
 - 4.2. Standalone.....5
- 5. LED indications 5
- 6. Configuration..... 6
 - 6.1. General settings.....7
 - 6.2. Sunrise and sunset (deprecated – use program steps on input modules instead)..... 8
 - 6.3. Alarms.....10
- 7. Modes 10

1. Description

The VMB1BLS is a single channel control module for blinds and sunscreens. It has been developed for universal mounting. Thanks to its small size and the cast housing, the VMB1BLS can easily be put inside a shutter box.

The VMB1BLS can be added to a Velbus domotics system, or it can be installed on itself (standalone). In the first case, the VMB1BLS is being connected to the Velbus data bus and can communicate with the other Velbus modules. In the second case the module is being operated by one or two push buttons, which are connected directly.

2. Parts



Connections

- ① Motor up
- ② Motor down
- ③ Line connection
- ④ Push button up
- ⑤ Push button common

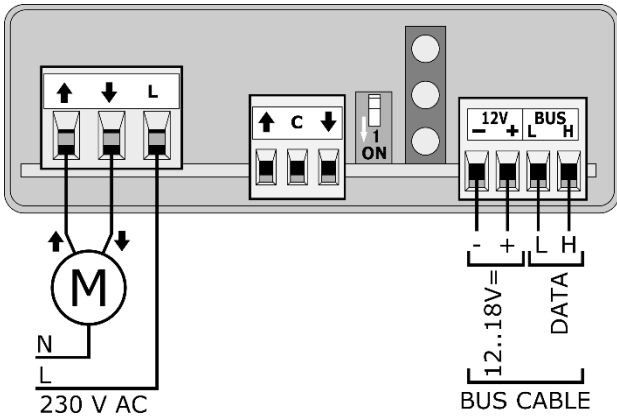
- ⑥ Push button down
- ⑦ Bus supply -
- ⑧ Bus supply + (12..18 V DC)
- ⑨ Bus data L
- ⑩ Bus data H

Other elements

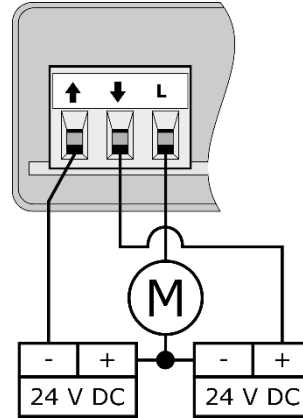
- ⑪ Terminator
- ⑫ LED PS (power supply)
- ⑬ LED up
- ⑭ LED down

3. Wiring diagram

3.1. In a Velbus domotics-installation



230 V AC motor

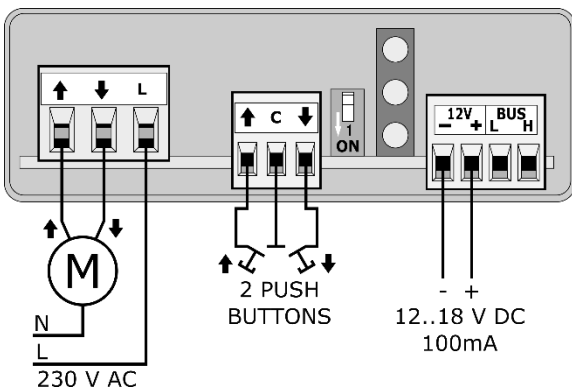


24 V DC motor

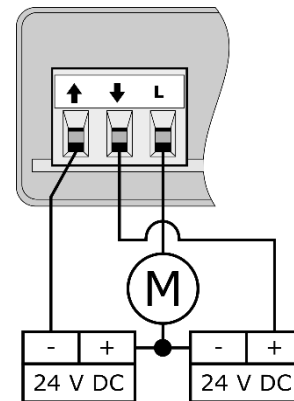
Please note that in a modular Velbus installation all the terminators ① must be open, except two. The two closed terminators are located ideally as far as possible from each other.

3.2.Standalone

Two-button operation



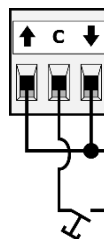
230 V AC motor



24 V DC motor

One-button operation

For a one-button operation, the push button is connected as follows:



4. Possibilities

4.1. As part of a Velbus installation

- Up/down with two different push buttons:
 - short press will make the blind to go up or down until the end has been reached, or until the opposite direction has been pushed
 - long press will make the blind to go up or down as long as the button is being pressed. When released, the motor stops.
- Up/down with one push button: same principle as above, but in one single button. The direction of the motor is reversed after every stop.
- Entirely up/entirely down: a push on the button will open or close the blind completely.
- Putting the blind on a certain position (expressed in percentages)
- The blind module can be put in different modes (max.3). Actions can be configured to work in all the modes or only in one particular mode (see modes on p.12).
- The blind channel can be locked, inhibited and forced
 - Locking a channel makes it impossible to operate until it has been unlocked.
 - When inhibiting a channel, it still listens to the bus, but it stays inactive until the inhibition is released. When the inhibition is released, the channel reacts again on the signals, and will respond to the signals which were sent during the inhibit.
 - Forcing a channel has the highest priority. When forced, a channel doesn't listen to the bus: every signal (except release of the force mode) will be ignored completely.

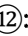
4.2. Standalone

With two push buttons connected directly to the VMB1BLS, following operations are possible:

- short press (< 0,8 sec.) on up or down will move the blind until the end has been reached, or until the opposite direction has been pushed
- long press on up or down will move the blind in the wanted direction as long as the button is being pushed. When releasing the button, the motor stops

The one-button operations works following the same principles. The direction of the motor is reversed after every stop.

5. LED indications

- LED PS (power supply) :
 - continuously on: power supply OK
 - off: power supply not OK

- LED up (13):
 - blinks while blind is going up
 - continuously on when blind is completely up
- LED down (14):
 - blinks while blind is going down
 - continuously on when blind is completely down
- LED up (13) and LED down (14) will blink simultaneously as follows:
 - blink 2 times, pause, blink 2 times, etc...: bus error (only when address ≠ FF and the VMB1BLS is connected to a Velbus data bus)
 - blink 3 times, pause, blink 3 times, etc...: power supply too low
 - blink 4 times, pause, blink 4 times, etc...: power supply too high

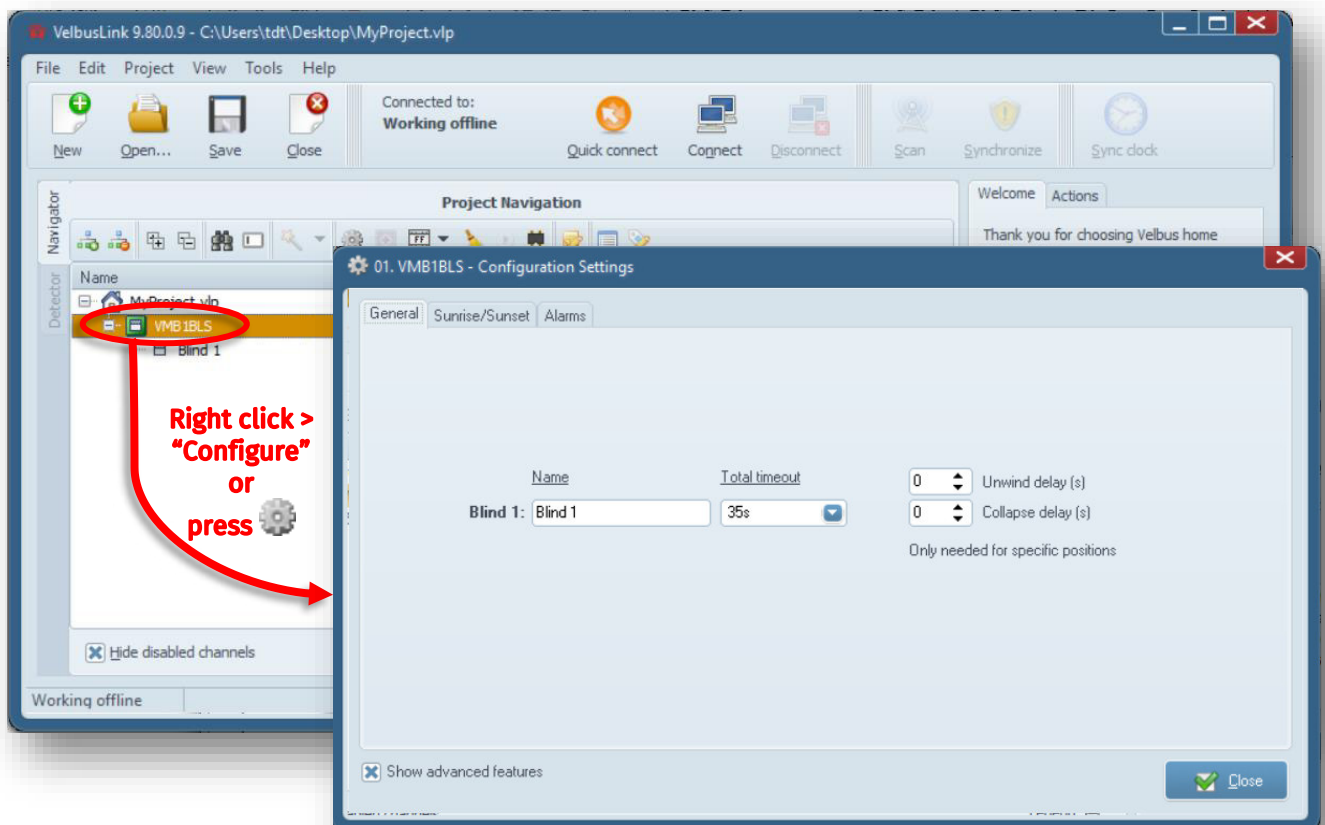
6. Configuration



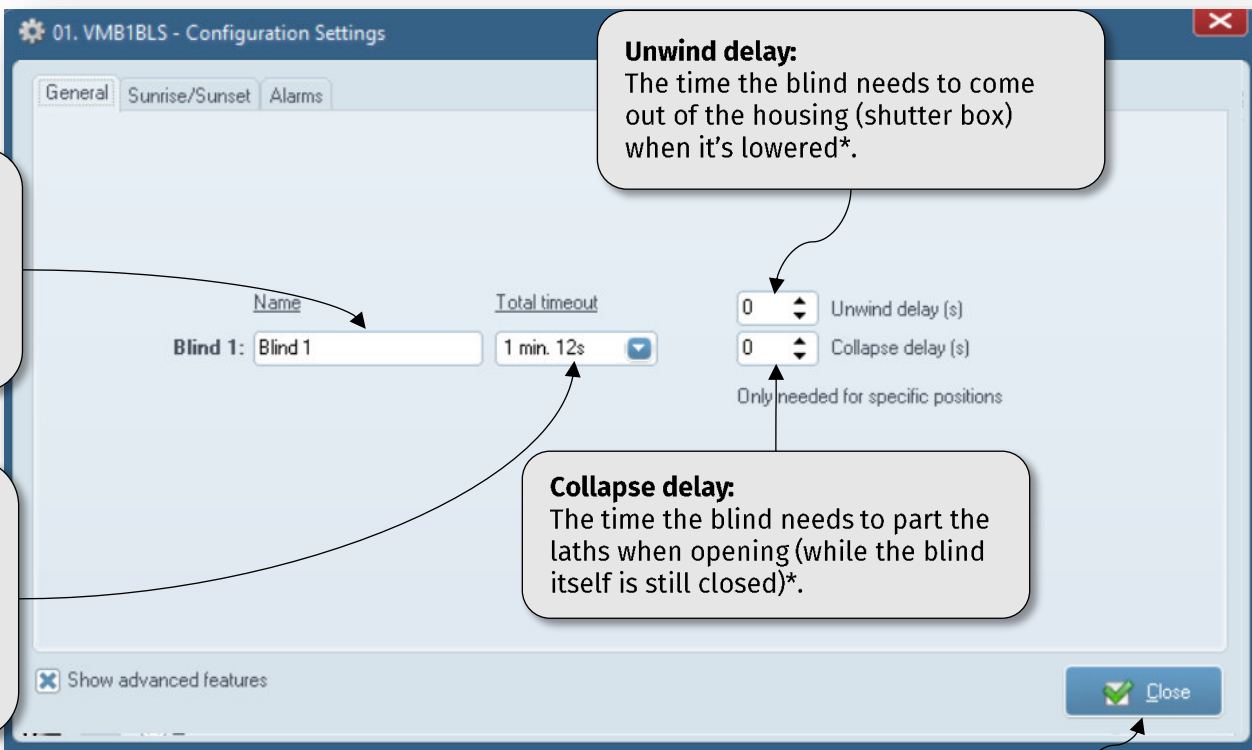
For a general explanation about installing and configuring Velbus, please consult the installation manual at www.velbus.eu.



Always use the latest version of Velbuslink (download for free at www.velbus.eu > Support > Downloads). Velbuslink 9.28 or higher required to work with the VMB1BLS.



6.1.General settings



Name of the blind channel:
This name will be used everywhere in Velbuslink to indicate this blind channel. When synchronizing (write), this name will be saved in the module itself as well.

Total timeout:
The time the blind needs to go from completely closed to completely open (or other way around). This setting determines how long the motor will run when entirely opening or closing.

Unwind delay:
The time the blind needs to come out of the housing (shutter box) when it's lowered*.

Collapse delay:
The time the blind needs to part the laths when opening (while the blind itself is still closed)*.

Ready:
Close window

The screenshot shows the '01. VMB1BLS - Configuration Settings' window with the 'General' tab selected. The 'Name' field contains 'Blind 1', and the 'Total timeout' is set to '1 min. 12s'. The 'Unwind delay (s)' and 'Collapse delay (s)' are both set to '0'. A 'Close' button with a green checkmark is visible at the bottom right.

* The unwind and collapse delay are being used to configure exactly the positioning of the blind.

6.2.Sunrise and sunset (deprecated – use program steps on input modules instead)

If this tab is not visible, check “Show advanced features” at the bottom of the window.

Tab 1: Automation

Automatically rise:
Check to let the blind automatically go up every day at sunrise.

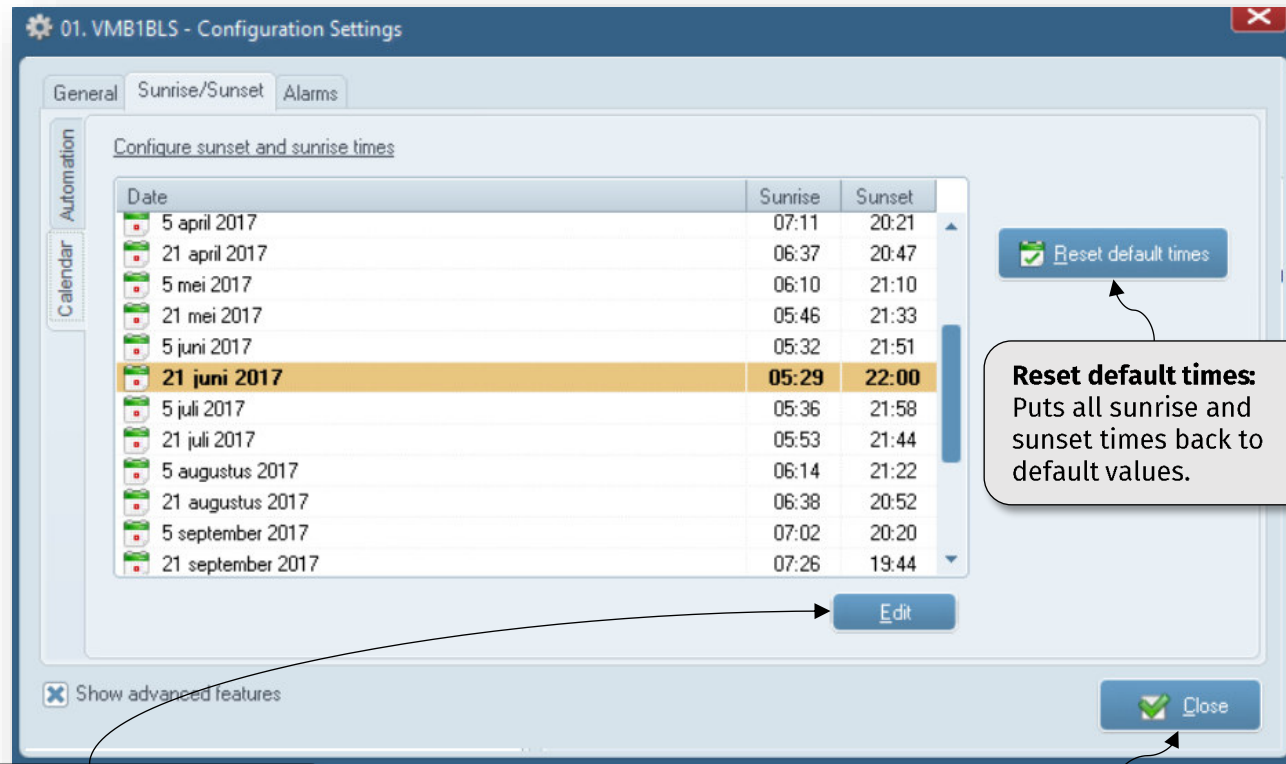
Automatically close:
Check to let the blind automatically go down every day at sunset.

Offset:
This time will be added to the sunrise time. A *positive* value will make sure that the blind will go up *after* sunrise. A *negative* value will make sure that the blind will go up *before* sunrise.

Offset:
This time will be added to the sunset time. A *positive* value will make sure that the blind will go up *after* sunset. A *negative* value will make sure that the blind will go up *before* sunset.

Ready:
Close window.

Tab 2: Calendar (deprecated)



01. VMB1BLS - Configuration Settings

General Sunrise/Sunset Alarms

Automation

Calendar

Configure sunset and sunrise times

Date	Sunrise	Sunset
5 april 2017	07:11	20:21
21 april 2017	06:37	20:47
5 mei 2017	06:10	21:10
21 mei 2017	05:46	21:33
5 juni 2017	05:32	21:51
21 juni 2017	05:29	22:00
5 juli 2017	05:36	21:58
21 juli 2017	05:53	21:44
5 augustus 2017	06:14	21:22
21 augustus 2017	06:38	20:52
5 september 2017	07:02	20:20
21 september 2017	07:26	19:44

Reset default times

Edit

Show advanced features

Close

Edit:
Select a day in the calendar above and click this button to edit the sunrise and/or sunset time.

Reset default times:
Puts all sunrise and sunset times back to default values.

Ready:
Close window.

6.3.Alarms

The tab “Alarms” is the same as with other modules with alarm times and groups. For a description of all the possibilities and configurations, see the other Velbus documentation files.

Remark: if “automatically raise at wakeup time and automatically close at bedtime” (tab Alarms) is configured in combination with “automatically raise/close” at sunrise or sunset (tab Sunrise/Sunset > automation), wakeup time and bedtime will have priority over sunrise and sunset. If sunrise or sunset is outside the period of wakeup time and bedtime, then “automatically raise/close” at sunrise or sunset will be ignored.

7. Modes

Modes can be used for advanced programming.

The VMB1BLS is always in one of the four following states:

- no mode selected (standard)
- mode 1
- mode 2
- or mode 3

Only one mode can be active at the same time.

In the table below is shown which actions will work in which mode:

	Actions in mode 1 (nrs. 10-18)	Acties in mode 2 (nrs. 24-32)	Acties in mode 3 (nrs. 36-44)	All other actions
No mode selected	x	x	x	✓
Mode 1	✓	x	x	✓
Mode 2	x	✓	x	✓
Mode 3	x	x	✓	✓