



NAHDMI-W

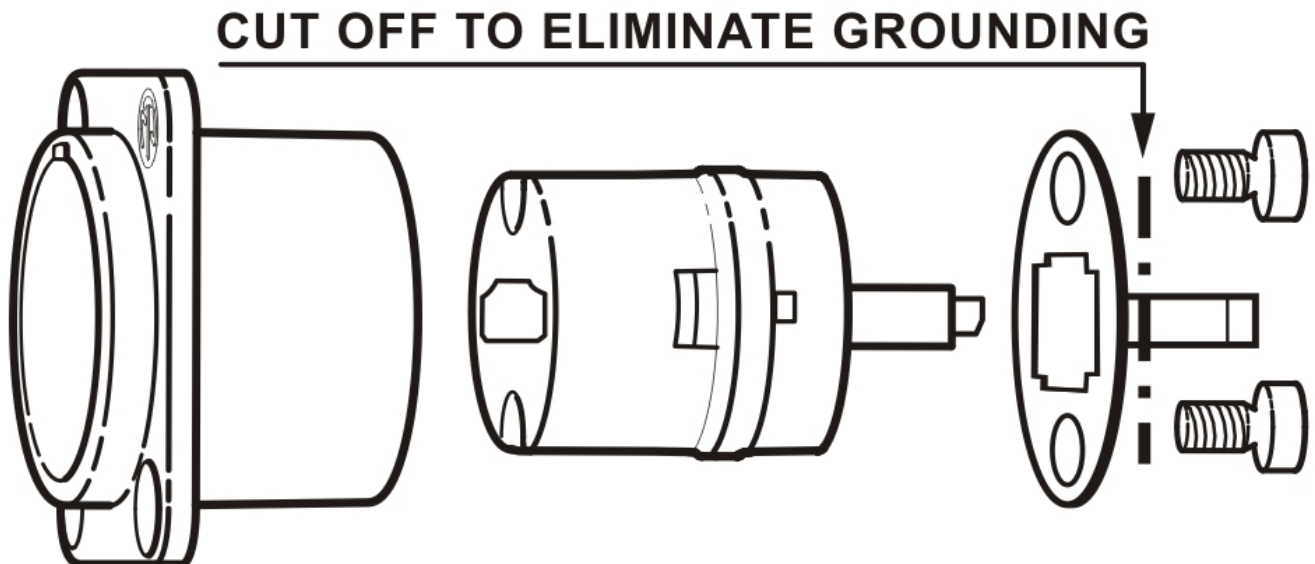
HDMI feedthrough adapter, D-shape housing

Neutrik's HDMI solution for the transmission of any digital TV and PC video format including high-definition video (HDTV) can be integrated in networks very easy.

Features & Benefits

- To transmit any digital TV and PC video format including high-definition video (HDTV).
- Dust and water resistant acc. to IP65 safety standard in combination with NKHDMI-*
- Removable screen to chassis grounding
- HDMI feedthrough adapter with 19 pole HDMI receptacle at both ends
- Universally accepted standard D-shape housing

Removable screen to chassis grounding



Technical Information

| Product | |
|------------------------|----------|
| Title | NAHDMI-W |
| Connection Type | Adapter |
| Gender | female |

| Mechanical | |
|---------------------------|----------------------|
| Wiresize | |
| Mounting direction | Front mounting |
| Chassis shape | D |
| Lifetime | > 1000 mating cycles |

| Material | |
|------------------------|-------------------------|
| Contact plating | Au |
| Contacts | Brass (CuZn39Pb3) |
| Insert | PBT |
| Shell | Zinc diecast (ZnAl4Cu1) |
| Shell plating | Nickel |

| Environmental | |
|----------------------------|--|
| Flammability | UL 94 V-0 |
| Standard compliance | HDMI 2.0 specifications (in combination with Neutrik HDMI cable up to 5 m cable length; in combinati |
| Temperature range | -25 °C to +85 °C |