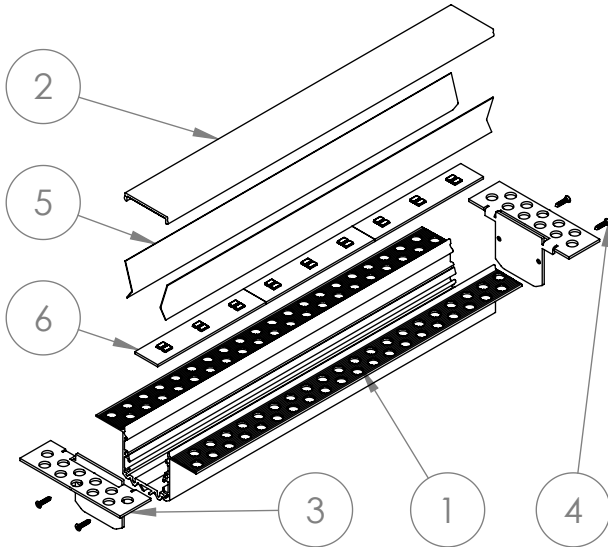


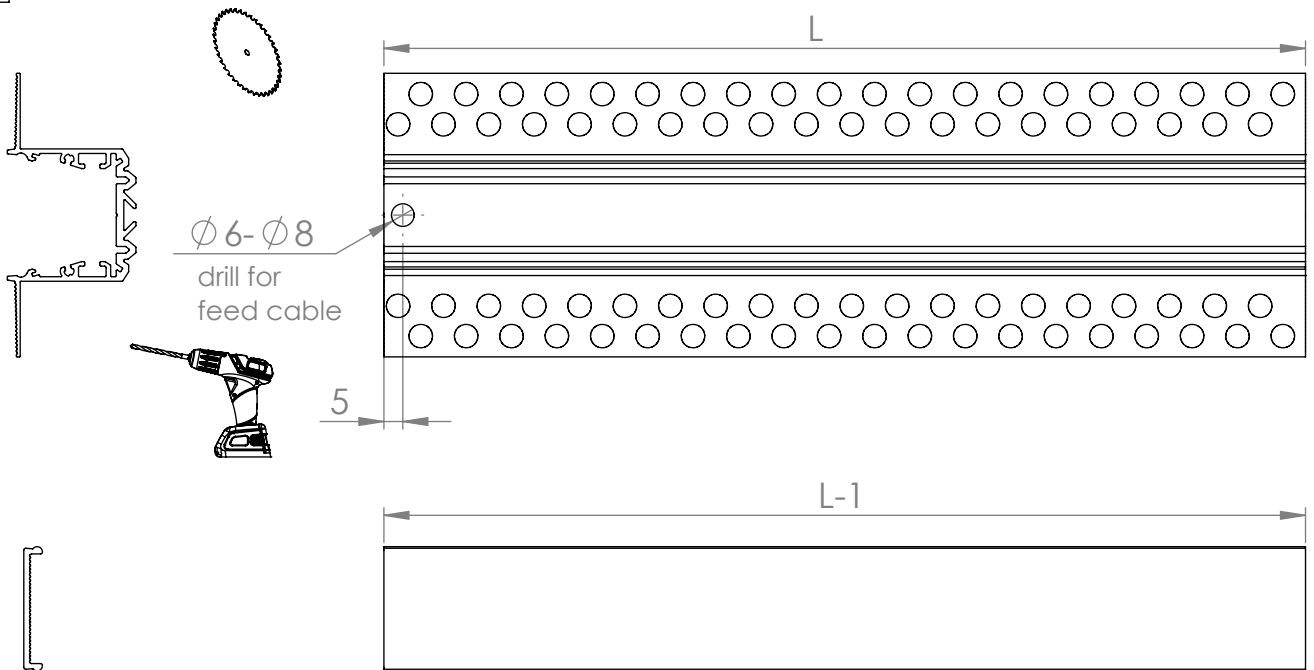
RPL35 US

List of luminaire components

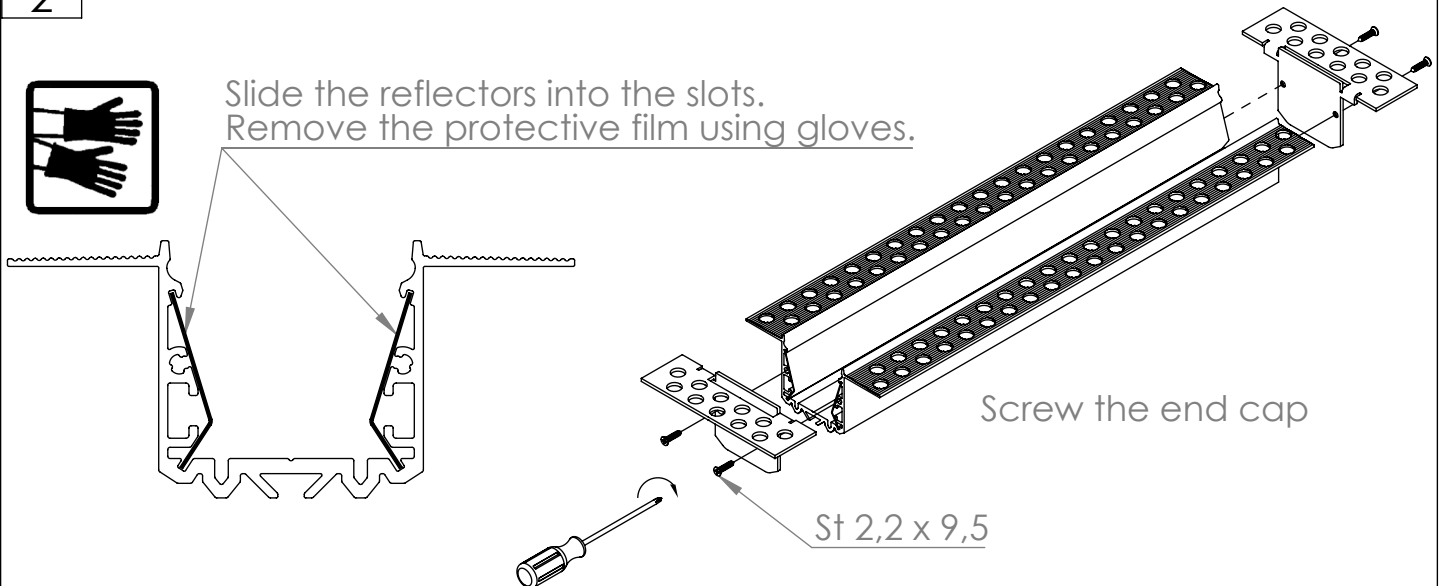
| Item | Code | Comments | Quantity |
|------|--------------------|----------------------------------|-----------------|
| 1 | AL-RPL35 US | 2,3 or 6.1 [m] | 1 |
| 2 | AB-PL-M/K | 2,3 or 6.1 [m] | 1 |
| 3 | EC-RPL35 US | end cap | 2 per luminaire |
| 4 | DIN 7982 ST2.2x9.5 | in set | 2 per end cap |
| 5 | AL-REF25-B50 | reflector 1.98 or 2.98 [m] | 2 |
| 6 | 17-DURIS | PCB 24VDC LEDs Osram Duris E5 | 3 per 1 [m] |



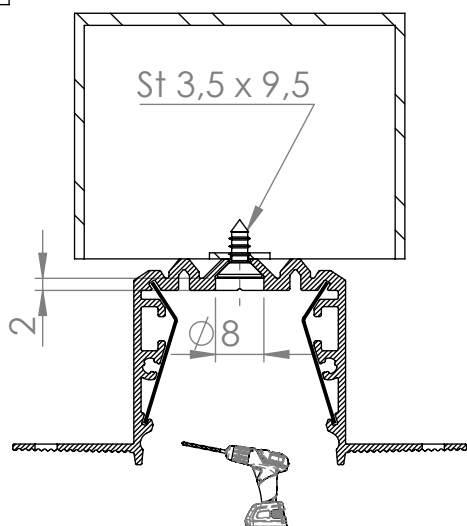
1



2



3

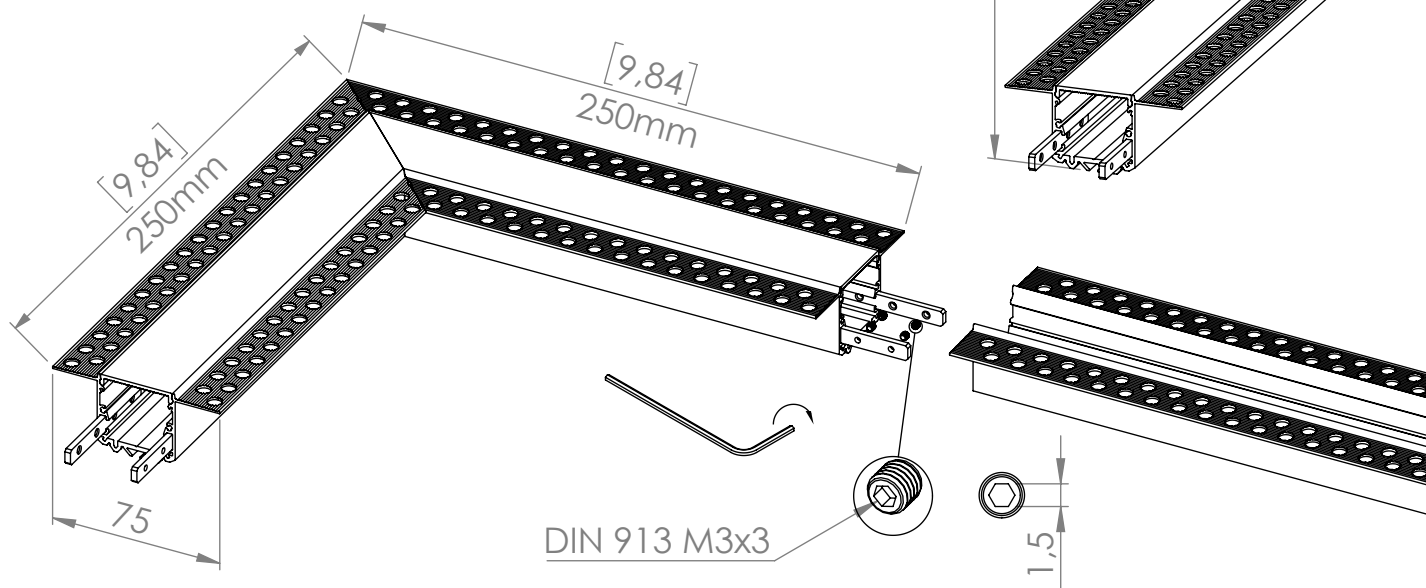


Option:
RPL35 US are suitable for **junction box** installation.
It was achieved by placing mounting rail
on top of the profile.
Just drill the $\varnothing 8$ hole and fix the box with screw.

4

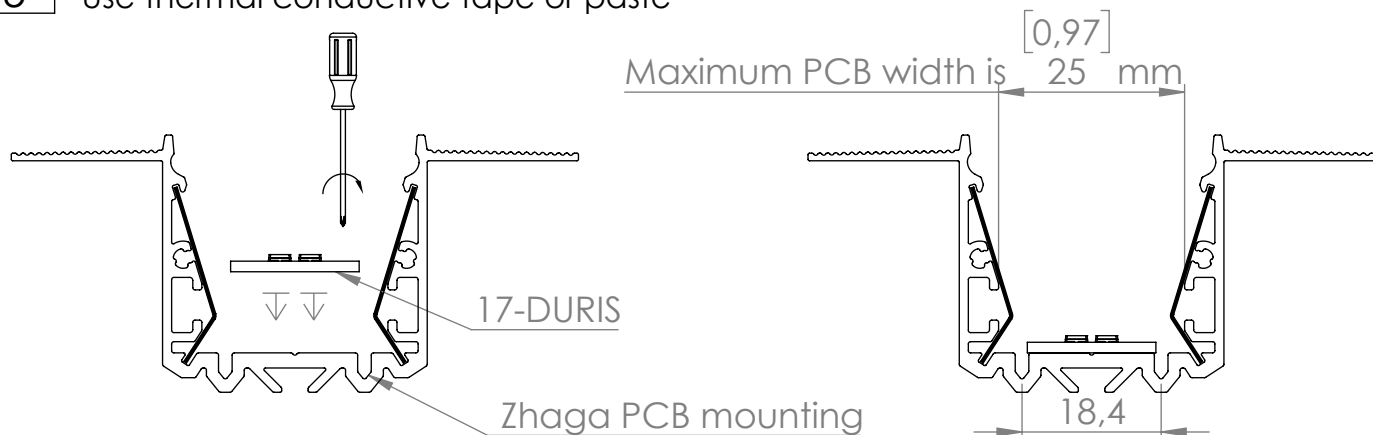
Trying to simplify the angle connections,
we introduce premade angle modules.
Available in both **horizontal**
and **vertical** configurations,
they allow to overcome any issues
regarding **45° angle connections**.

[x] - [dimension in inches]

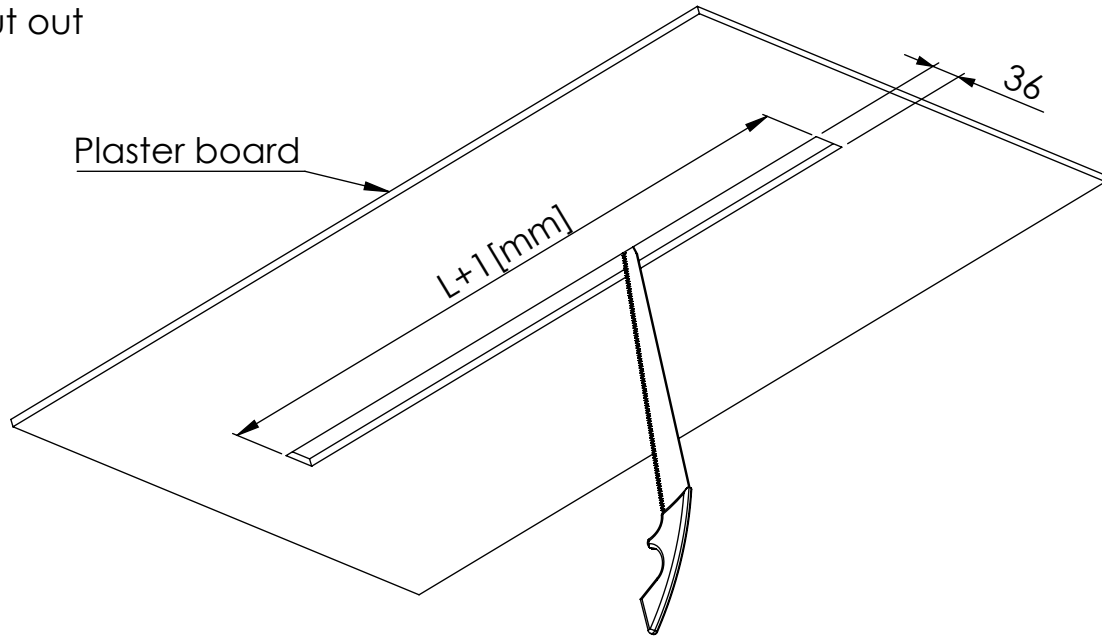


5

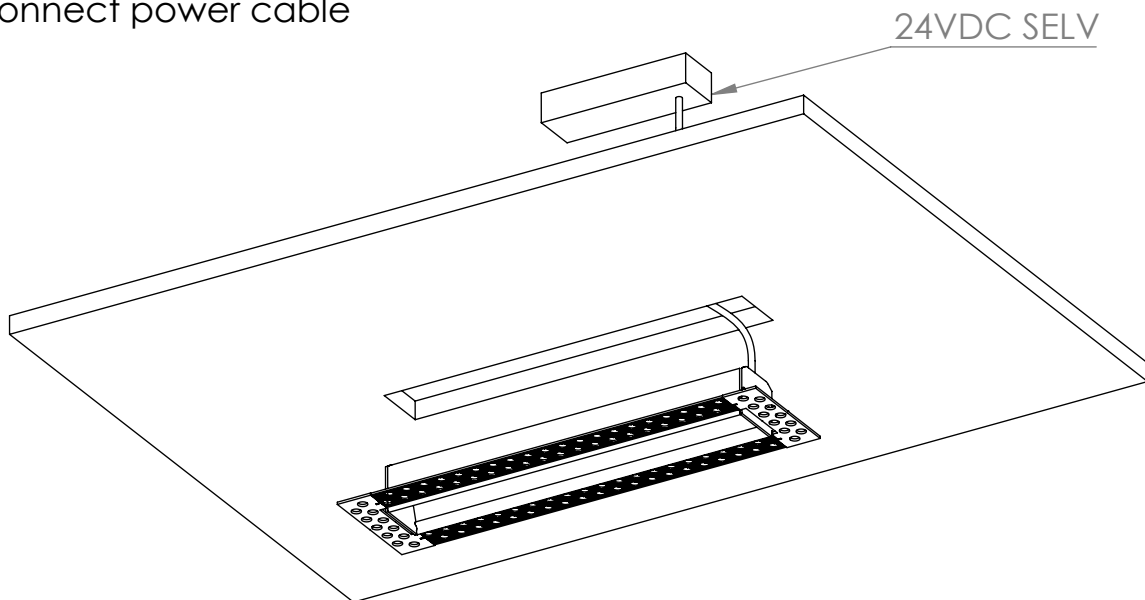
Use thermal conductive tape or paste



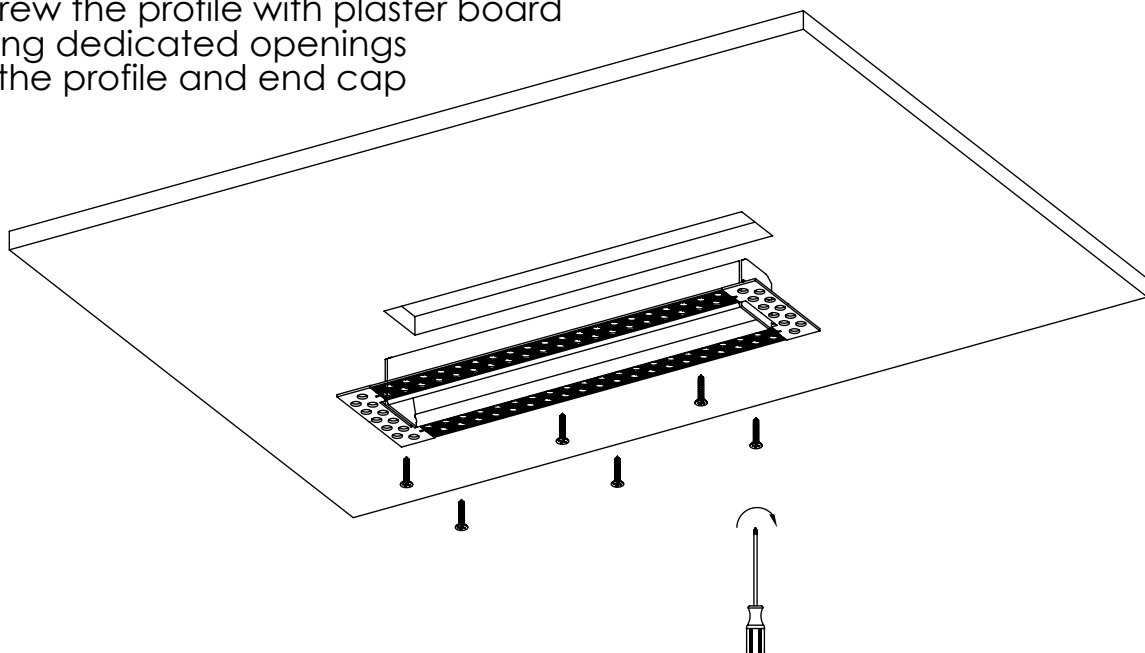
6 Cut out



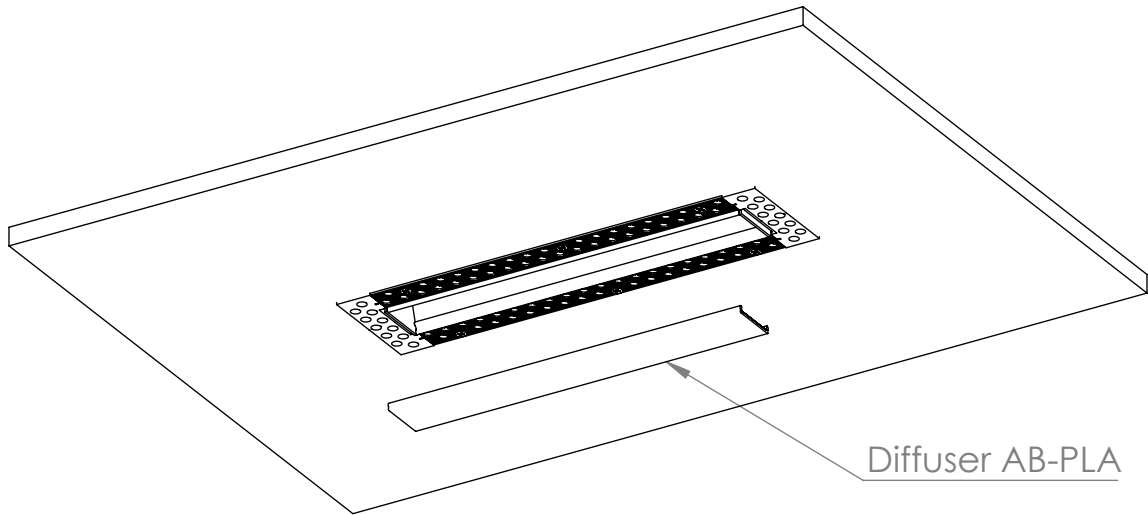
7 Connect power cable



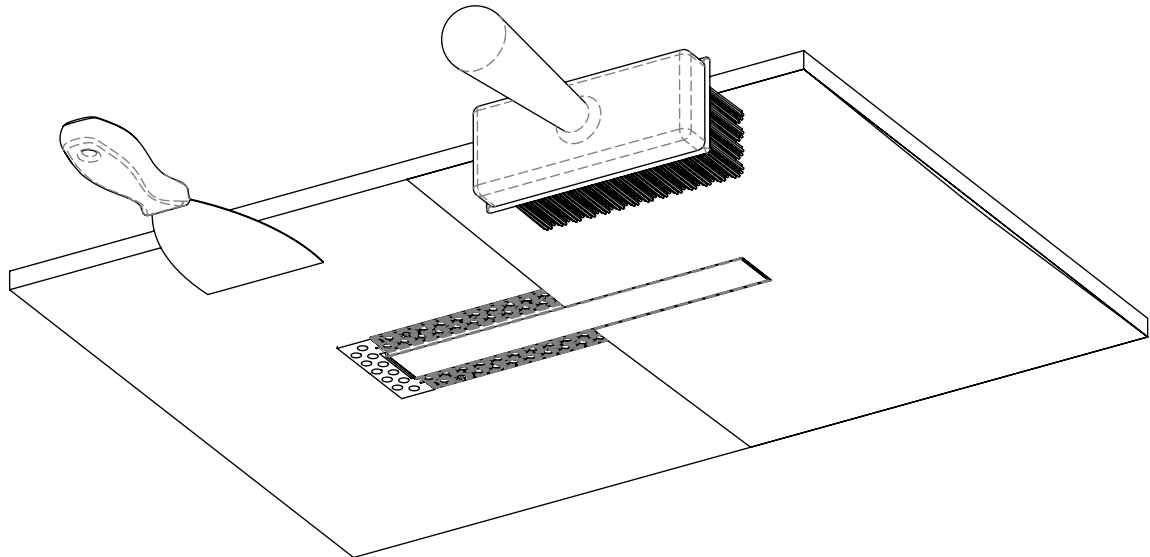
8 Screw the profile with plaster board using dedicated openings in the profile and end cap



9 Click in the diffuser



10 Cover the LED, reflectors and diffuser with protective tape before plastering



11 Remove the protective tape.
Clean the surface with alcohol to remove any dust or debris

