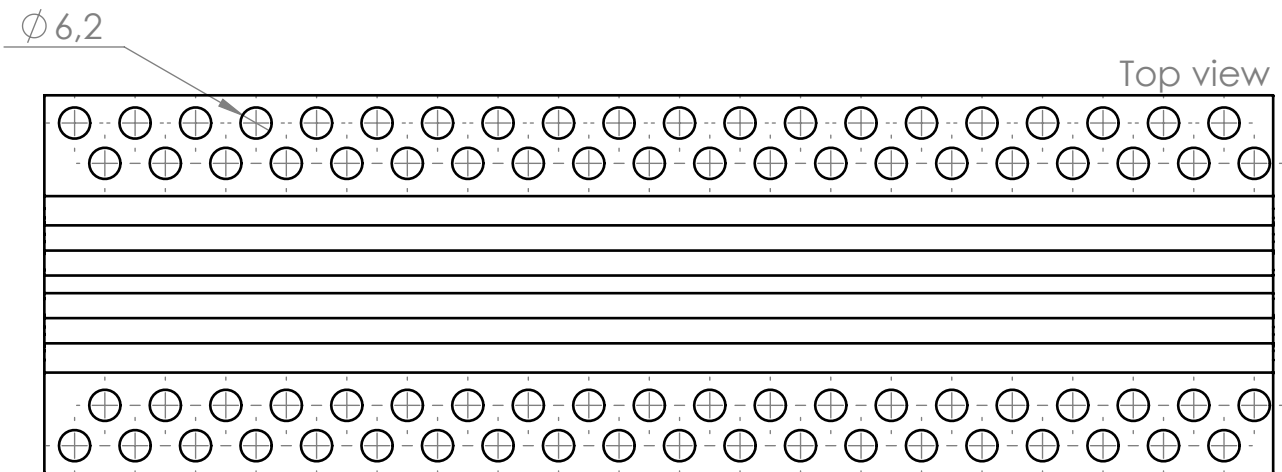
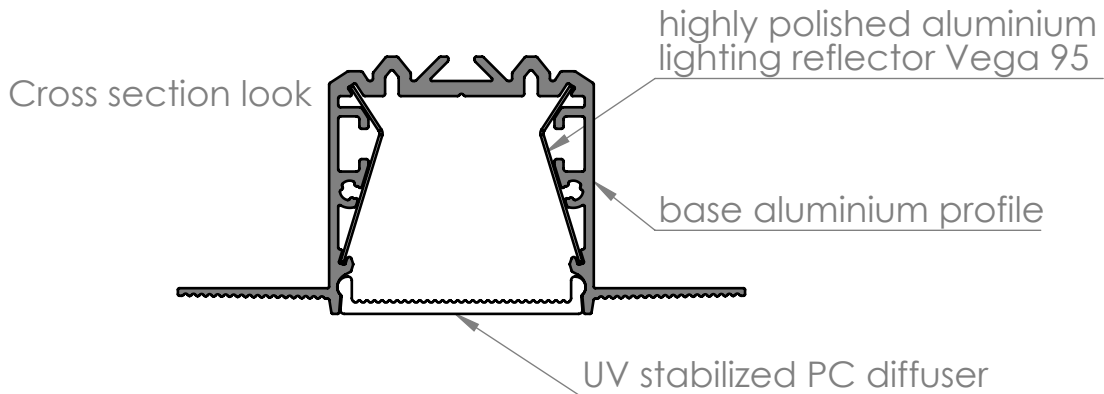
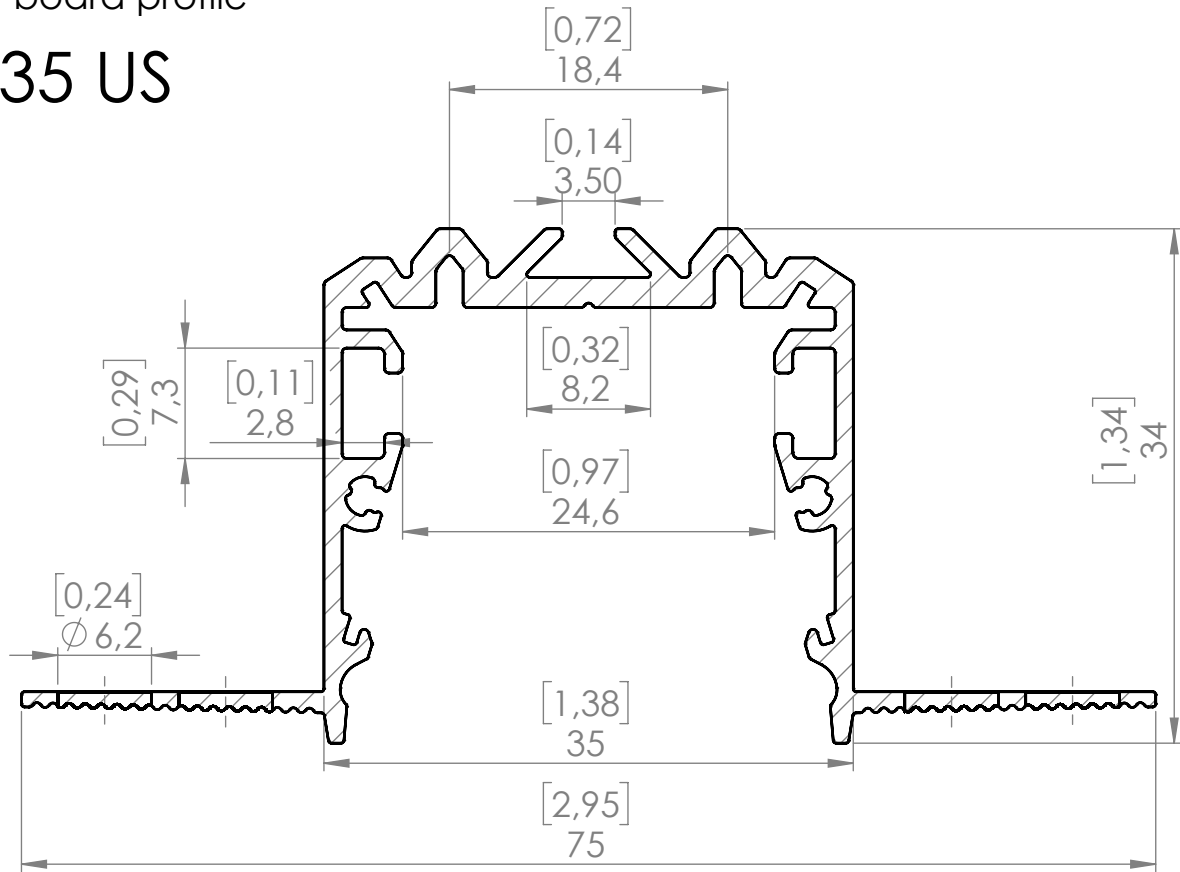


Plaster board profile

[x] - [dimensions in inches]

RPL35 US



PRODUCT CODE:	AL-RPL35 US	LEDs-ON www.ledson.eu UL. PRZEMYSŁOWA 3 05-082 BLIŻNE LASZCZYŃSKIEGO TEL. (+48)725590651
DESCRIPTION:	anodized in silver aluminium LED profile	
WEIGHT:	0.68 kg/m	UNITS: millimeters / [inches]
SCALE:	2:1	SHEET SIZE: A4
		ALL RIGHTS RESERVED