

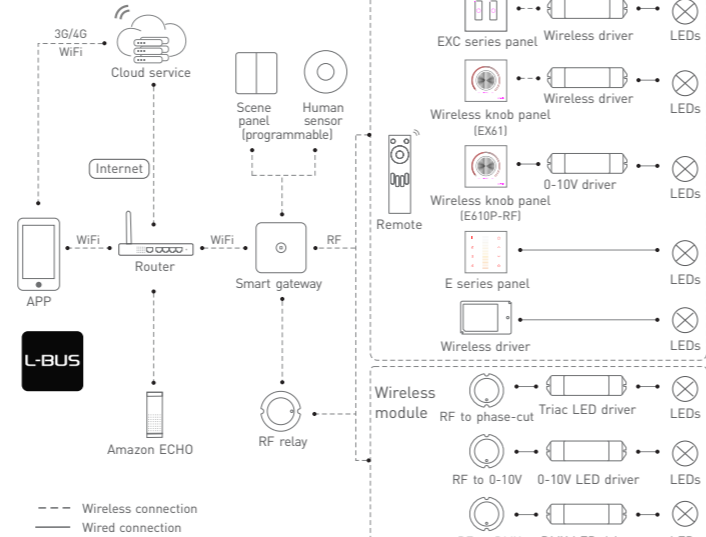
EX Series Touch Panel



Manual
www.ltech-led.com

System diagram

L-BUS



Product features

- Adopt wireless RF and wired DMX512 protocol 2 in 1 control mode, more flexible and convenient for project installation.
- Advanced RF wireless sync/zone control technology, make sure dynamic color modes synchronously among multiple drivers.
- Install touch panel at different areas, can control the same LED light, achieve multi-panel control, no quantity limited.
- Touch keys with chord and LED indicator.
- Adopts capacitive touch control technology makes LED dimming selection more user-friendly.
- Compatible with remote and APP control.

Technical specs

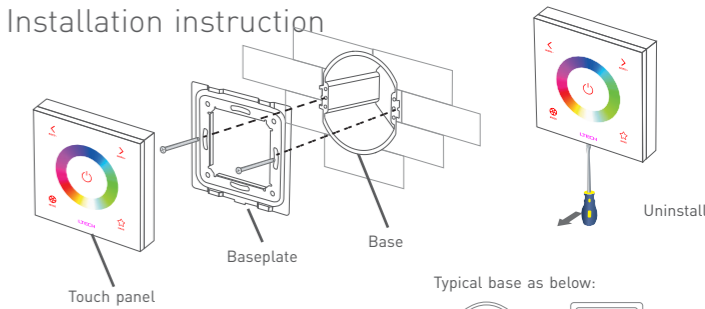
Model	EX1	EX1S	EX2	EX3	EX3S	EX4	EX4S
Control type	Dimming		CT	RGB		RGBW	
Input voltage	100-240Vac						
Output signal	RF 2.4GHz, DMX512						
Working temp.	-20°C~55°C						
Dimensions	L86×W86×H36(mm)						
Package size	L113×W112×H50(mm)						
Weight(G.W.)	225g						

* Product with **L-BUS** Advance Mode logo, supports the function of WIFI-108 advanced mode.

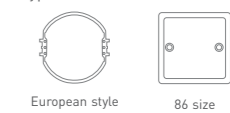


RCM certification No.: RCMP17114 001

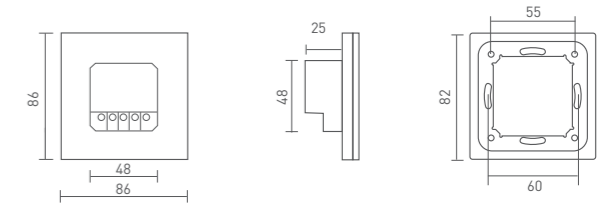
Installation instruction



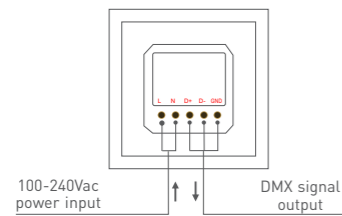
Typical base as below:



Product size

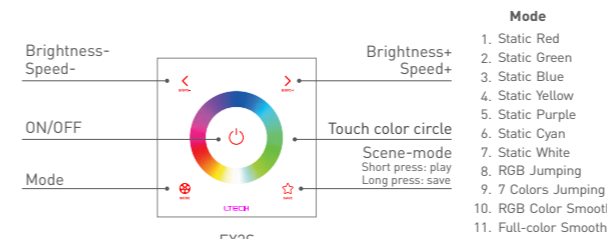
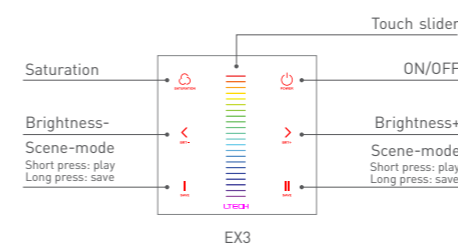
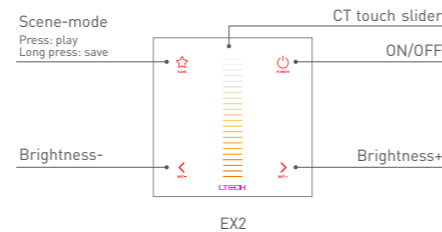
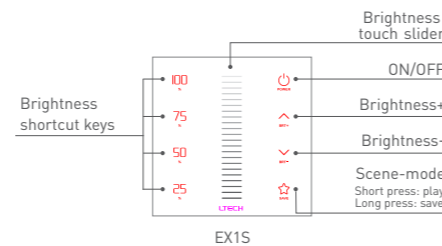
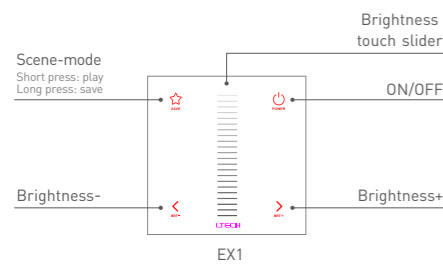


Terminals



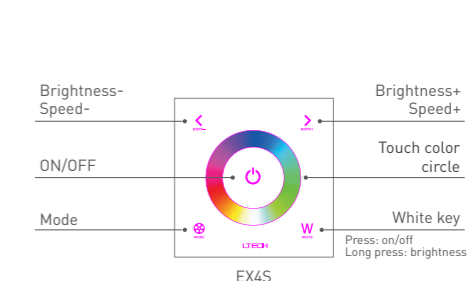
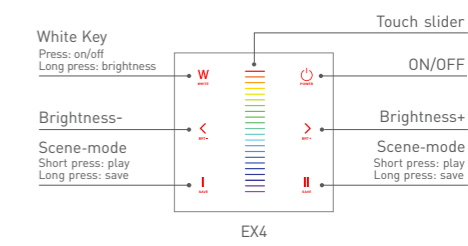
Key functions

- * When blue indicator light of key is on, long press to turn on/off buzzer. When white indicator light of key is on, long press to match code.
- * EX panel's scene-mode keys are corresponding with gateway APP's scenes, the scenes can be changed by APP or panel.



Mode

1. Static Red
2. Static Green
3. Static Blue
4. Static Yellow
5. Static Purple
6. Static Cyan
7. Static White
8. RGB Jumping
9. 7 Colors Jumping
10. RGB Color Smooth
11. Full-color Smooth



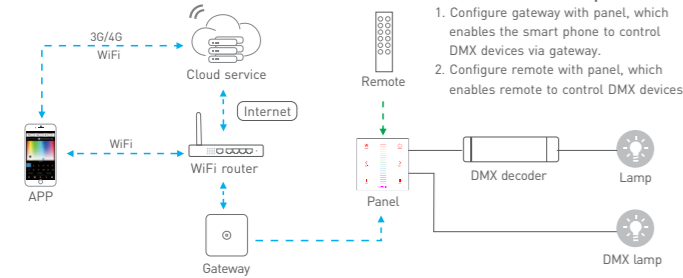
Mode

1. Static Red
2. Static Green
3. Static Blue
4. Static Yellow
5. Static Purple
6. Static Cyan
7. Static White
8. RGB Jumping
9. 7 Colors Jumping
10. RGB Color Smooth
11. Full-color Smooth
12. Static Black (only close RGB)

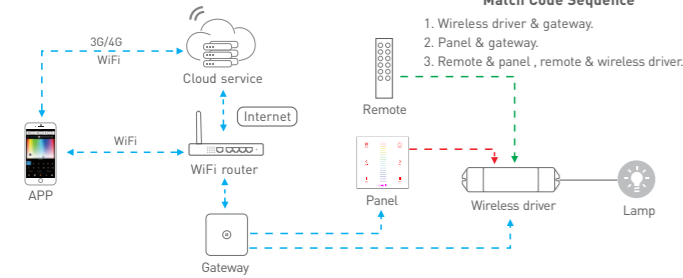
* White light only: press key to choose black mode, then press key for white light.

Match code sequence

DMX system wiring



Wireless system wiring



Application composition

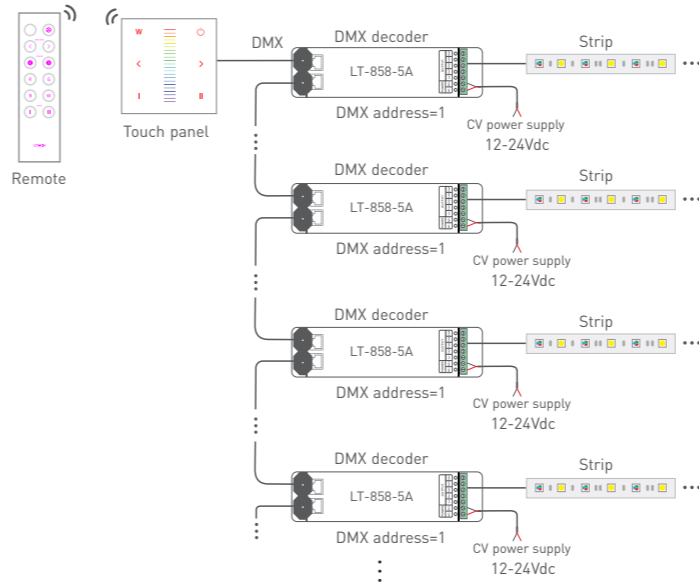
DMX512 control



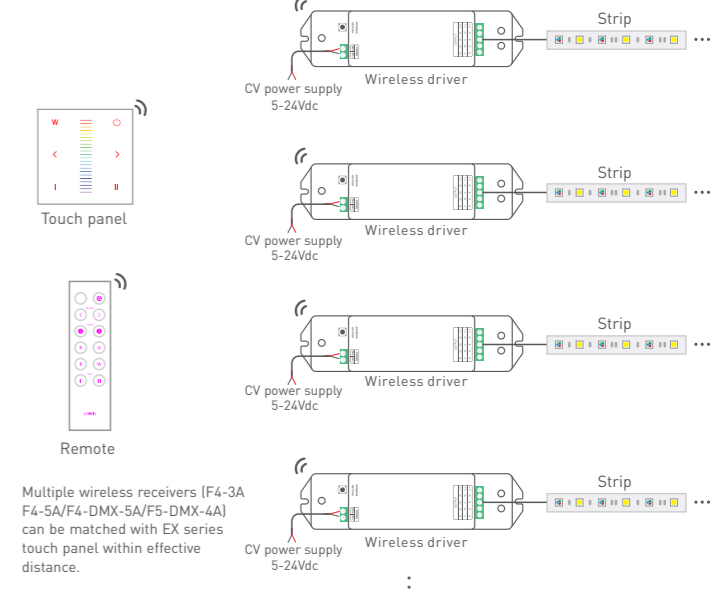
Wireless control



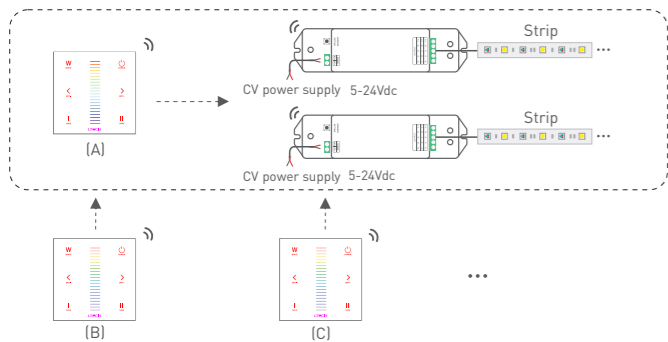
DMX wiring



RF wireless wiring

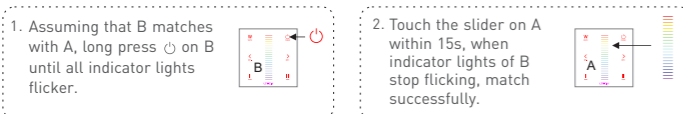


Multi-panel control wiring

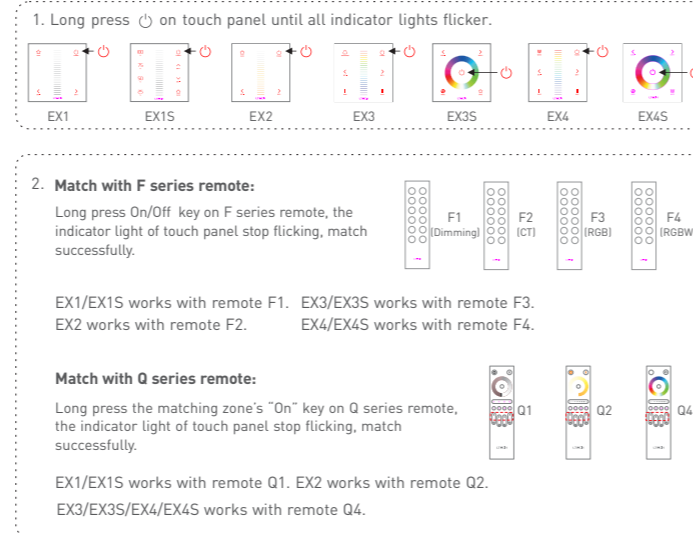


- * After touch panel A realizes controlling the lamps, if B and C are matched with A, they can also control the lamps.
- * Linkage control is also available at connecting with DMX decoders.

Match code between touch panels



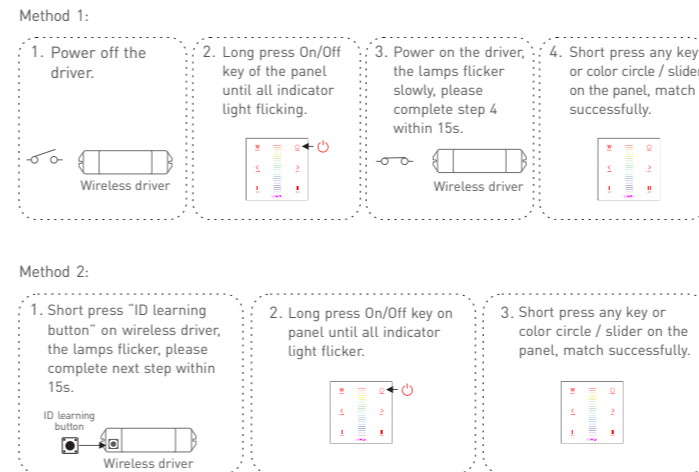
Match code between touch panel & remote



* Please match/clear code when indicator light of panel is white.

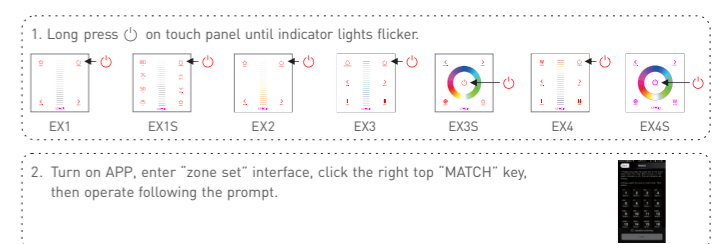
Match code between touch panel & wireless driver

Touch panels can work with wireless driver F4-3A/F4-5A/F4-DMX-5A/F5-DMX-4A.

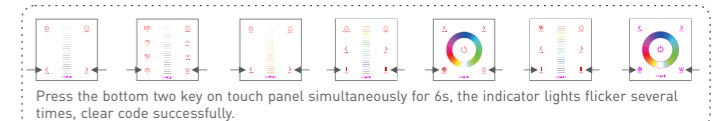


* Please match/clear code when indicator light of panel is white.

Match code between touch panel & gateway



Clear code



* Please match/clear code when indicator light of panel is white.

* No further notice if any changes in the manual. Product function depends on the goods. Please feel free to contact our official distributor if any question.