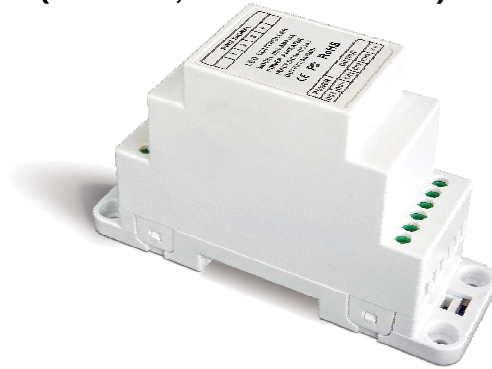


# DIN-AMP-5A LED CV Power Repeater (DIN Rail, Screw Dual-use)



LED power repeater is suitable for all of our company's power-output style controllers to expand power output, it supports PWM control and can connect one to three times more LEDs by adding one more power repeater, and unlimited power repeaters can be connected together theoretically.

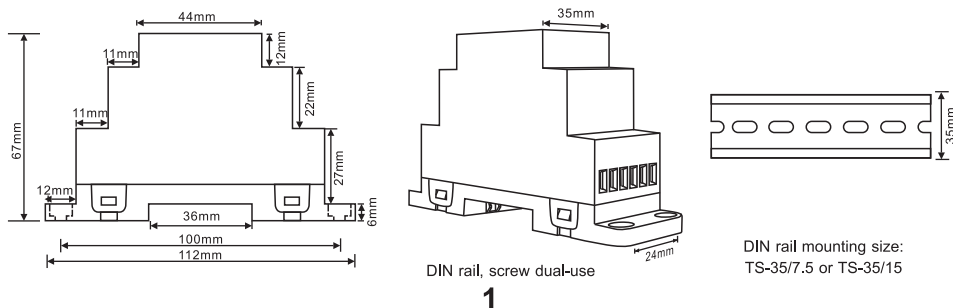
Signal input and output of LED power repeater have security protection function with photoelectricity isolation of 5KV.

## 1. Product Parameter:

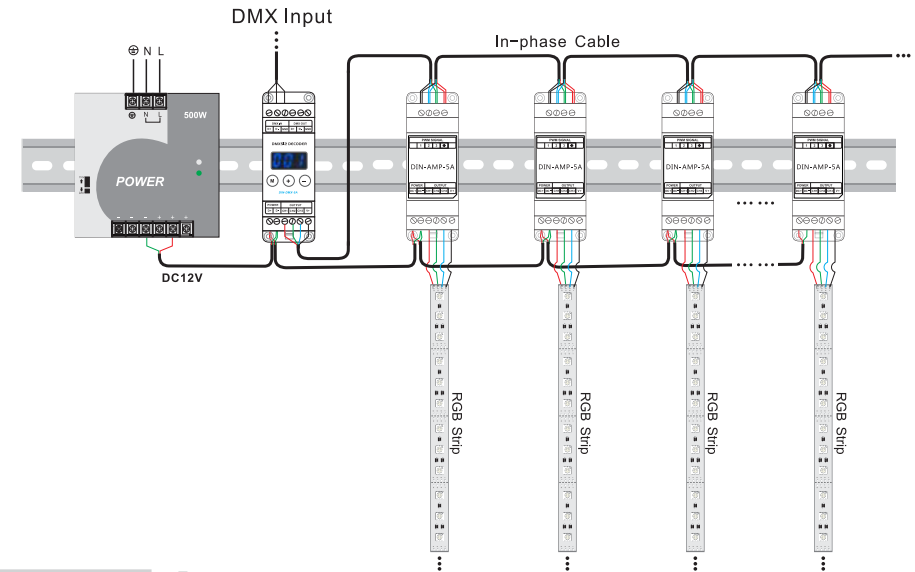
### DIN-AMP-5A CV Power Repeater

- Input Signal: PWM
- Input Voltage: DC5V ~ DC24V
- Max Load Current: 5A×3CH Max 15A
- Max Output Power: 75W/180W/360W(5V/12V/24V)
- DIN Rail Mounting Size: TS-35/7.5 or TS-35/15
- Mounting: DIN Rail or Screw
- Working Temperature: -30°C ~ 55°C
- Dimensions: L112×W35×H67(mm)
- Package Size: L114×W37×H70(mm)
- Weight (G.W.): 120g

## 2. Product Dimension:



## 3. Conjunction Diagram:



## 4. Attention:

- 1) The product shall be installed and serviced by a qualified person.
- 2) This product is non-waterproof. Please avoid the sun and rain. When installed outdoors please ensure it is mounted in a water proof enclosure.
- 3) Good heat dissipation will prolong the working life of the controller. Please ensure good ventilation.
- 4) Please check if the output voltage of any LED power supplies used comply with the working voltage of the product.
- 5) Please ensure that adequate sized cable is used from the controller to the LED lights to carry the current. Please also ensure that the cable is secured tightly in the connector.
- 6) Ensure all wire connections and polarities are correct before applying power to avoid any damages to the LED lights.
- 7) If a fault occurs please return the product to your supplier. Do not attempt to fix this product by yourself.

## 5. Warranty Agreement:

- 1) We provide lifelong technical assistance with this product:
  - A 5-year warranty is given from the date of purchase. The warranty is for free repair or replacement and covers manufacturing faults only.
  - For faults beyond the 5-year warranty we reserve the right to charge for time and parts.
- 2) Warranty exclusions below:
  - Any man-made damages caused from improper operation, or connecting to excess voltage and overloading.
  - The product appears to have excessive physical damage.
  - Damage due to natural disasters and force majeure.
  - Warranty label, fragile label and unique barcode label have been damaged.
  - The product has been replaced by a brand new product.
- 3) Repair or replacement as provided under this warranty is the exclusive remedy to the customer. LTECH shall not be liable for any incidental or consequential damages for breach of any stipulation in this warranty.
- 4) Any amendment or adjustment to this warranty must be approved in writing by LTECH only.
  - ★ This manual only applies to this model. LTECH reserves the right to make changes without prior notice.