

STANLEY®

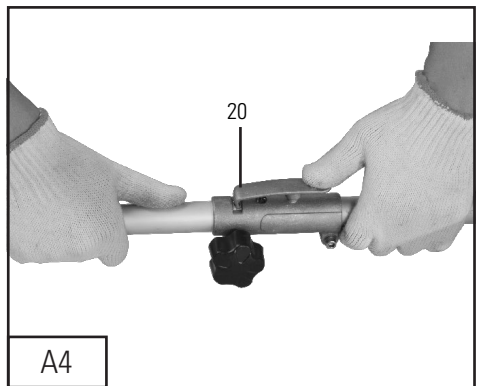
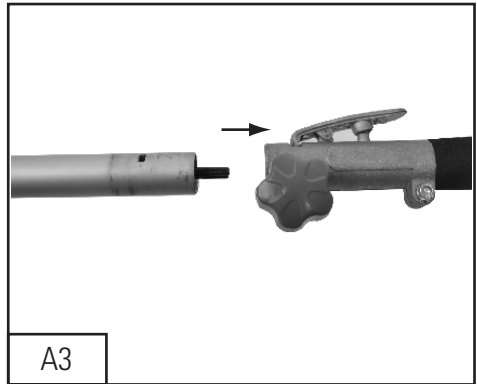
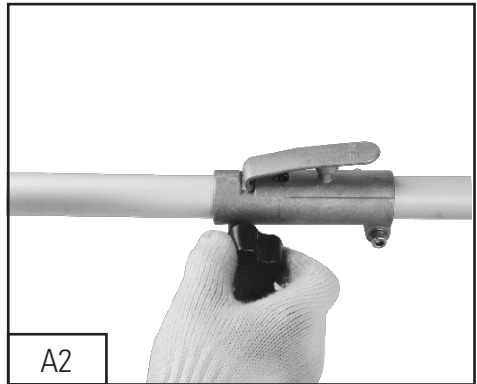
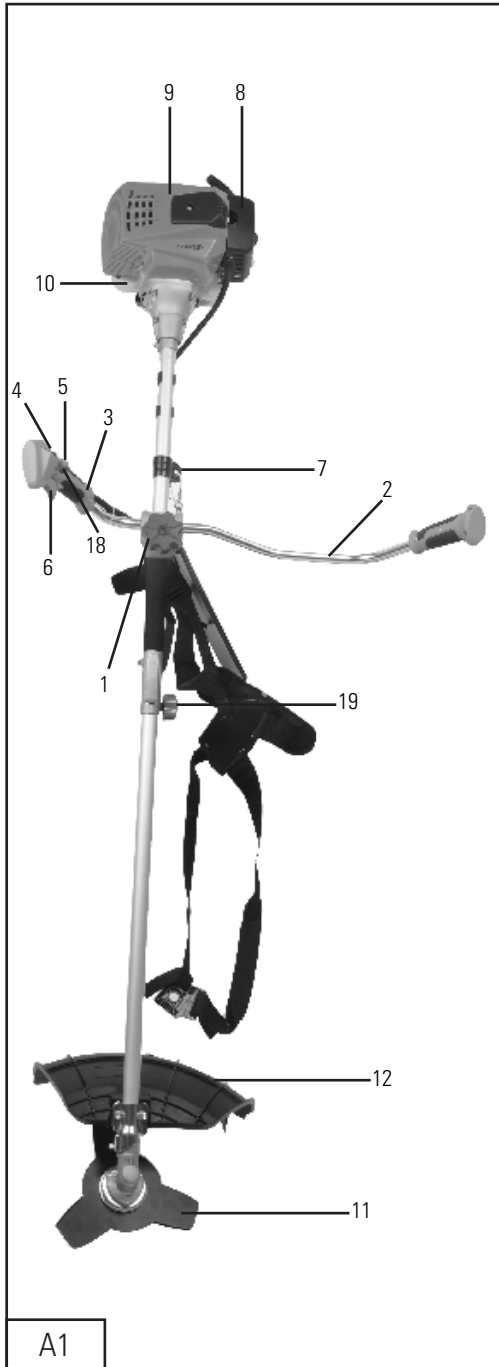
Petrol brush cutter

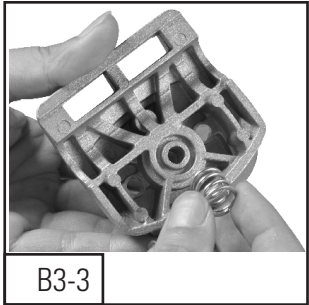
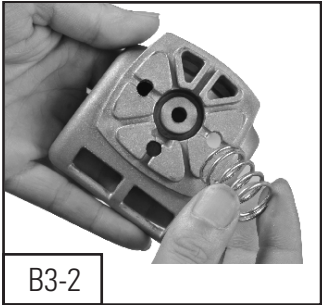
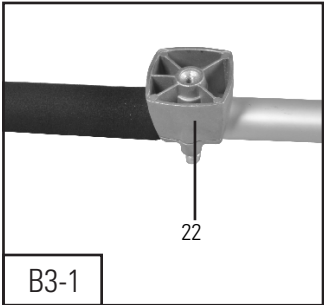
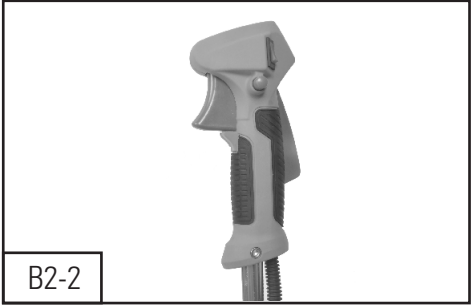
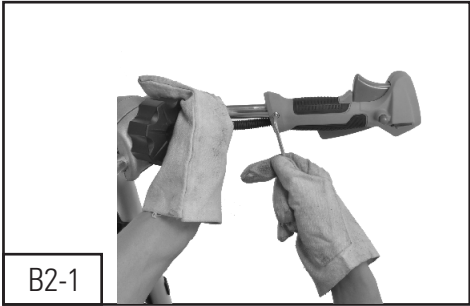
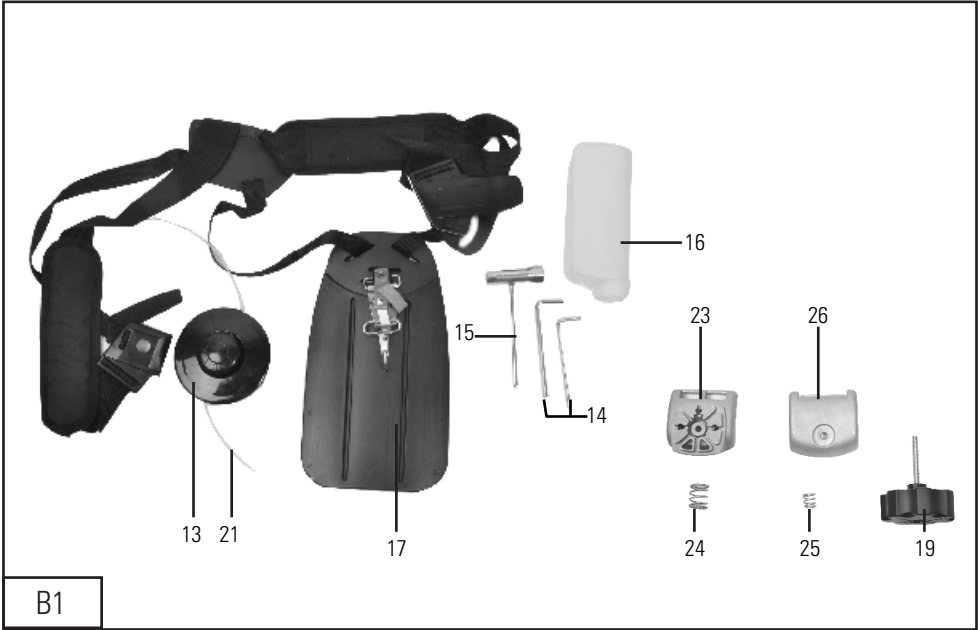
- GB** Original instructions
- D** Übersetzung der Originalbetriebsanleitung
- F** Traduction des instructions originales
- GR** ΟΔΗΓΙΕΣ ΧΡΗΣΗΣ ΓΙΑ
- EE** Originaaljuhend
- PT** Tradução das instruções originais
- ES** Traducción de las instrucciones originales
- PL** Tłumaczenie instrukcji oryginalnej
- HU** Az eredeti használati útmutató fordítása
- NL** Vertaling van de oorspronkelijke gebruiksaanwijzing
- CZ** Překlad originálního návodu k obsluze

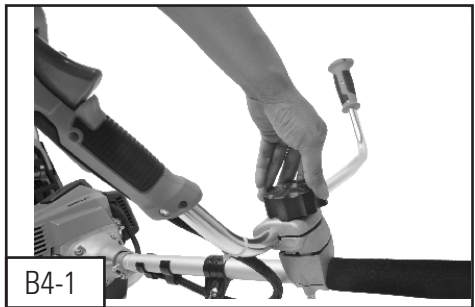
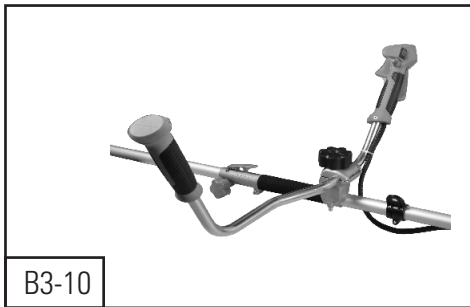
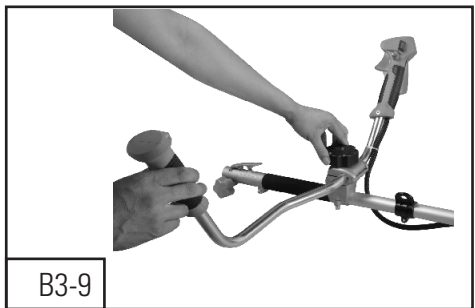
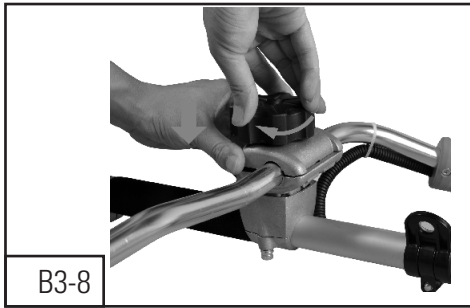
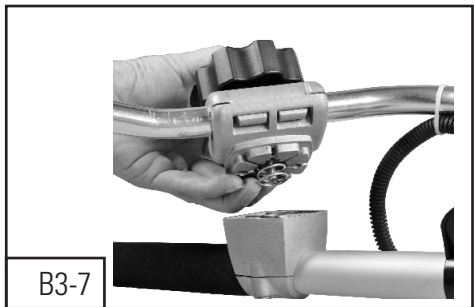
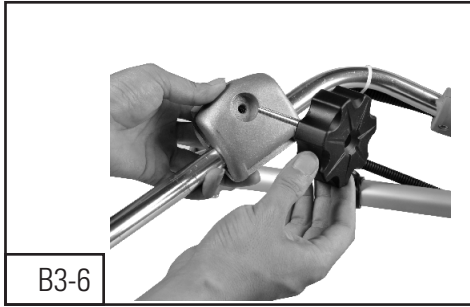
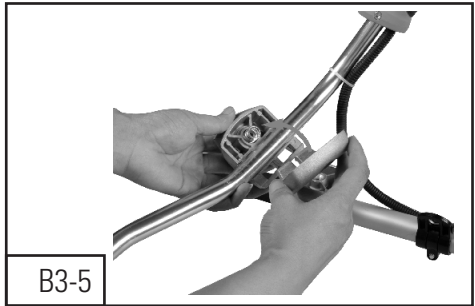
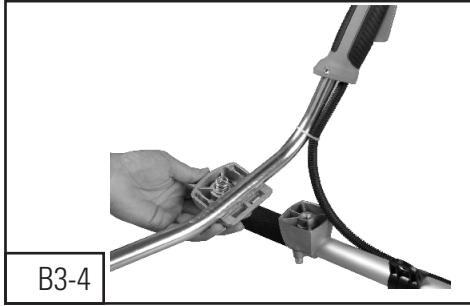
SPS-1400

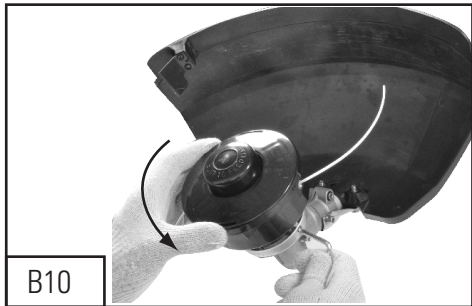
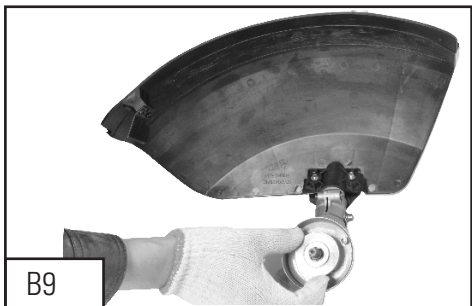
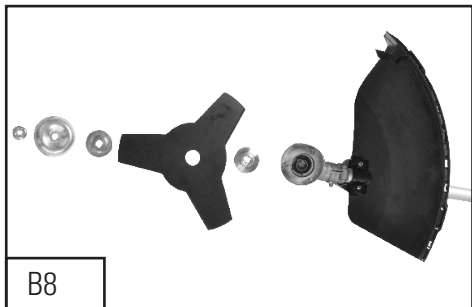
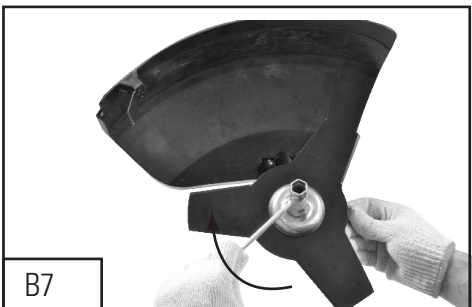
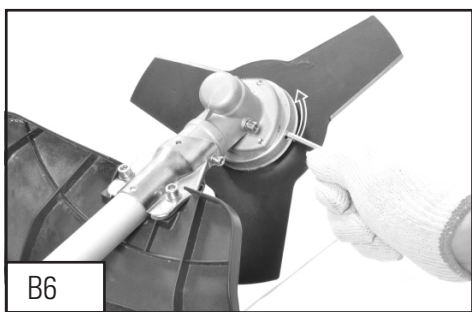
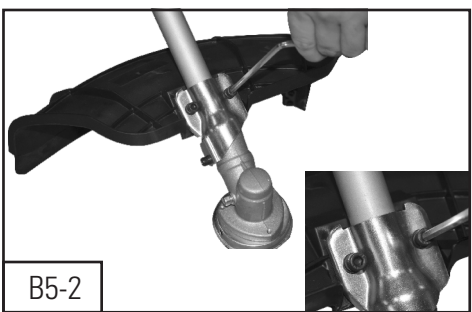
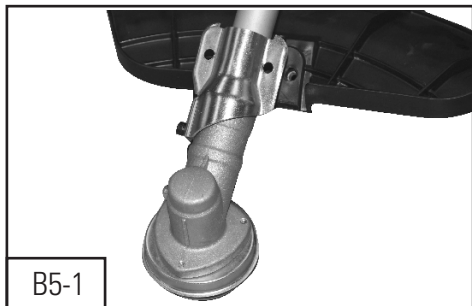
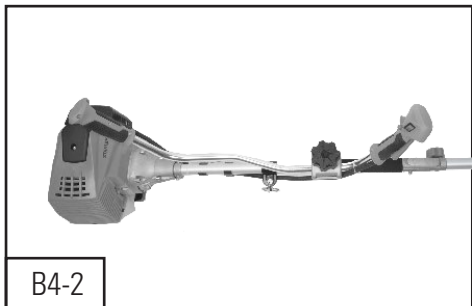
Petrol brush cutter

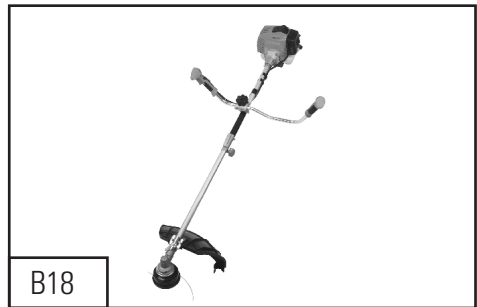
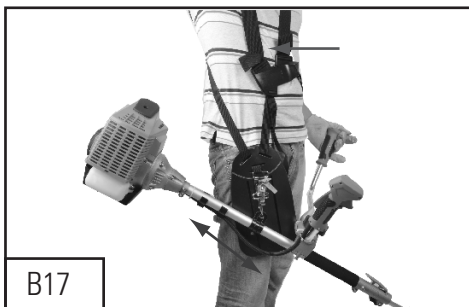
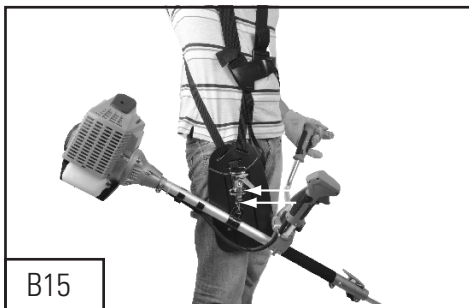
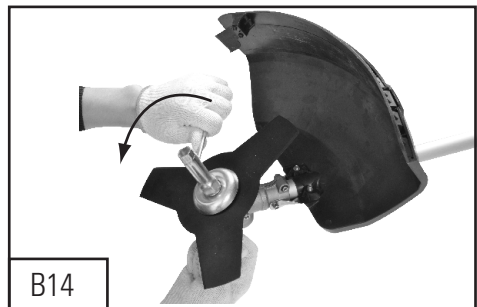
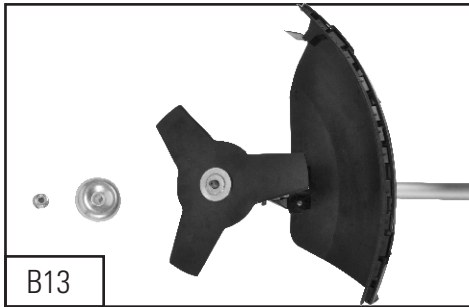
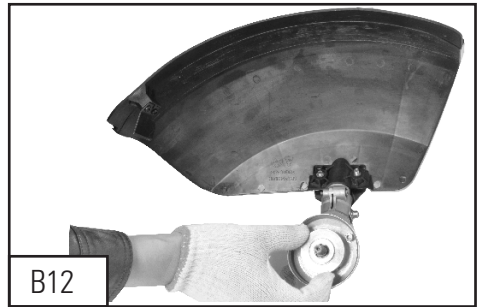
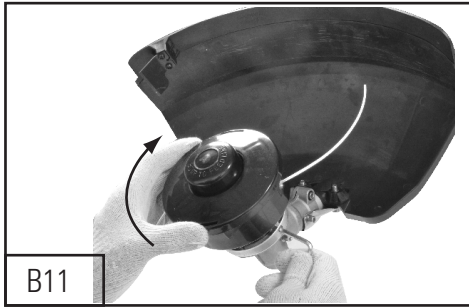
- GB** Manufactured under license by:
MATRIX GmbH • Postauer Straße 26 • D-84109 Wörth/Isar • www.matrix-direct.net
Stanley® is a registered trademark of The Stanley Works or its affiliates and is used under license.
- D** Hergestellt unter Lizenz durch:
MATRIX GmbH • Postauer Straße 26 • D-84109 Wörth/Isar • www.matrix-direct.net
Stanley® ist eine eingetragene Marke der The Stanley Works oder ihren Partnern und wird unter Lizenz verwendet.
- F** Fabriqué sous licence par :
MATRIX GmbH • Postauer Straße 26 • D-84109 Wörth/Isar • www.matrix-direct.net
Stanley® est une marque déposée de The Stanley Works ou de ses sociétés affiliées, qui est utilisée sous licence.
- GR** Κατασκευάζεται κατόπιν άδειας από την Matrix:
MATRIX GmbH • Postauer Straße 26 • D-84109 Wörth/Isar • www.matrix-direct.net
Stanley® το σήμα STANLEY είναι κατοχυρωμένο και χρησιμοποιείται κατόπιν άδειας από την MATRIX.
- EE** Toodeitud litsentsi alusel:
MATRIX GmbH-Postauer Straße-26 D-84109 Wörth/Isar-www.matrix-direct.net
Stanley® on The Stanley Worksi või selle sidusettevõtete registreeritud kaubamärk ning seda kasutatakse litsentsi alusel.
- PT** Fabricado sob a licença de:
MATRIX GmbH-Postauer Straße-26 D-84109 Wörth/Isar-www.matrix-direct.net
Stanley® é uma marca registada The Stanley Works ou dos seus associados que usam esta licença.
- ES** Fabricado bajo licencia:
MATRIX GmbH-Postauer Straße-26 D-84109 Wörth/Isar-www.matrix-direct.net
Stanley® é uma marca registada The Stanley Works ou de sus asociados que usan esta licencia.
- PL** Wyprodukowane zgodnie z licencją przez:
MATRIX GmbH-Postauer Straße-26 D-84109 Wörth/Isar-www.matrix-direct.net
Stanley® jest zarejestrowanym znakiem handlowym Stanley Works lub jego oddziałów i jest wykorzystywany zgodnie z licencją.
- HU** Licenc alapján gyártja:
MATRIX GmbH • Postauer Straße 26 • D-84109 Wörth/Isar • www.matrix-direct.net
Stanley® a The Stanley Works vagy leányvállalatainak bejegyzett védjegye.
- NL** Geproduceerd onder licentie door:
MATRIX GmbH • Postauer Straße 26 • D-84109 Wörth/Isar • www.matrix-direct.net
Stanley® is een geregistreerd handelsmerk van The Stanley Works of zijn dochterbedrijven en wordt gebruikt onder licentie.
- CZ** Vyrobeno v licenci společnosti:
MATRIX s.r.o. – Postauer Straße 26 – D-84109 Wörth/Isar – www.matrix-direct.net
Stanley® je registrovaná známka The Stanley Works nebo jejich partnerů a používá se pod licenci.

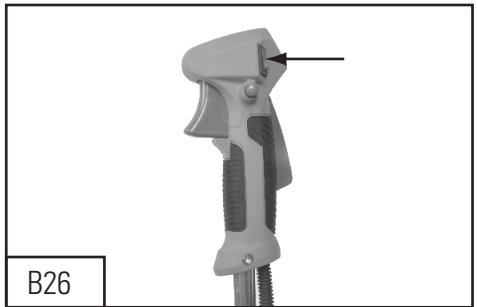
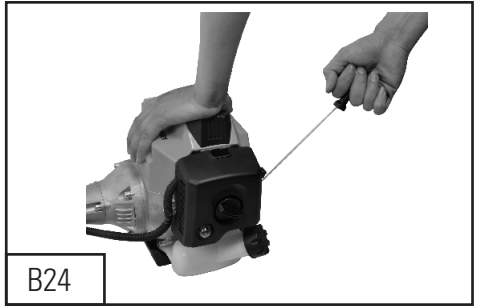
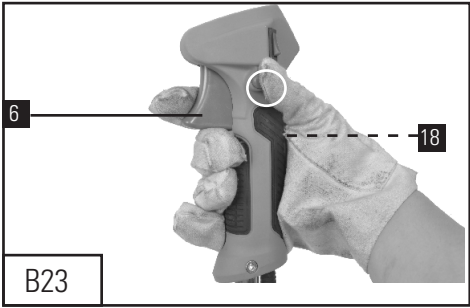
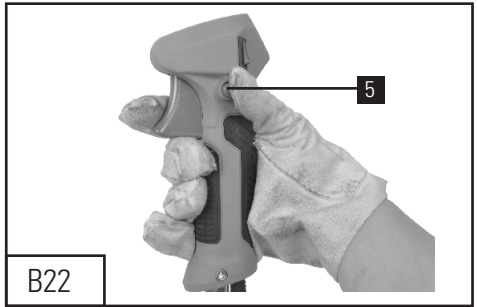
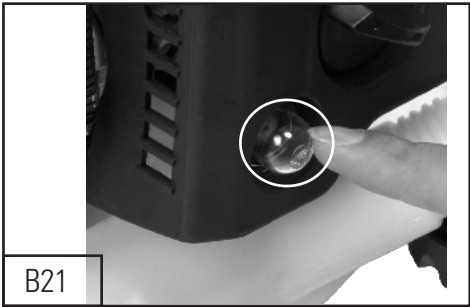
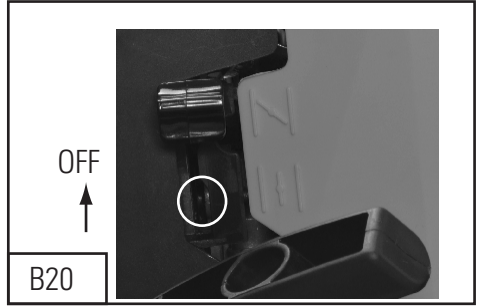
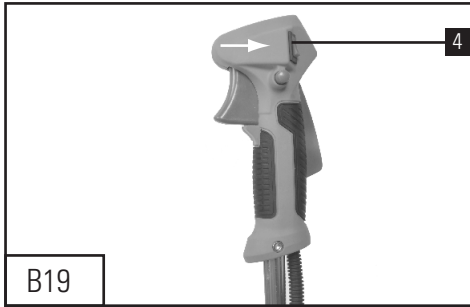


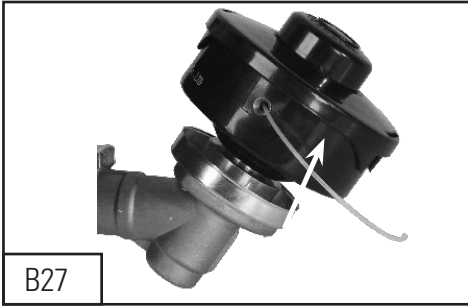




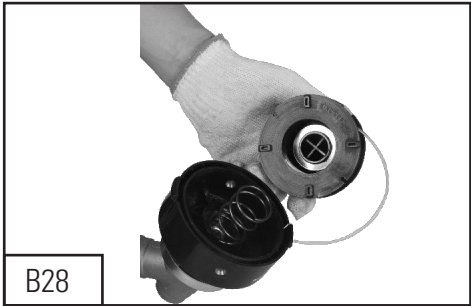




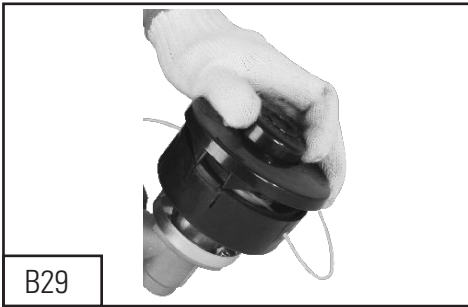




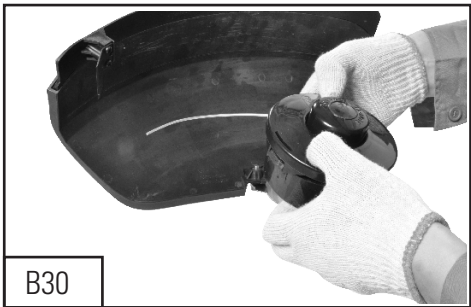
B27



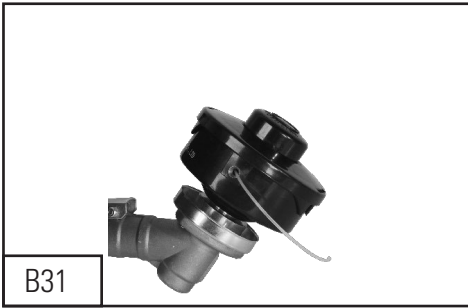
B28



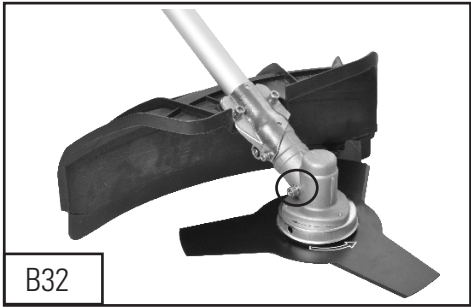
B29



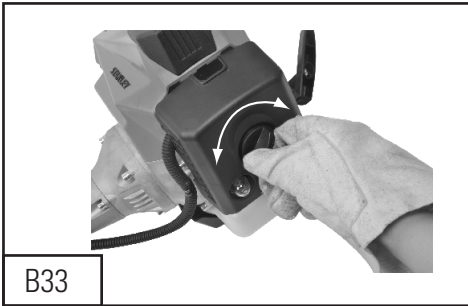
B30



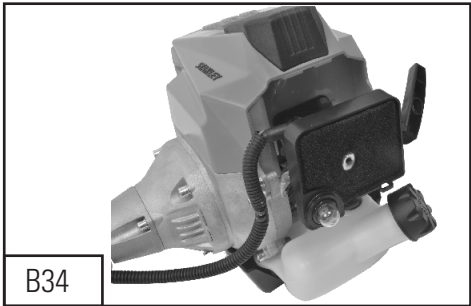
B31



B32



B33



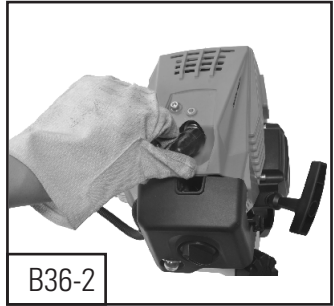
B34



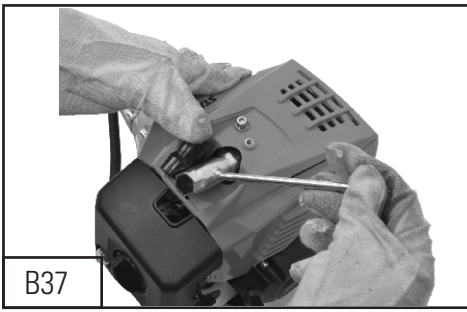
B35



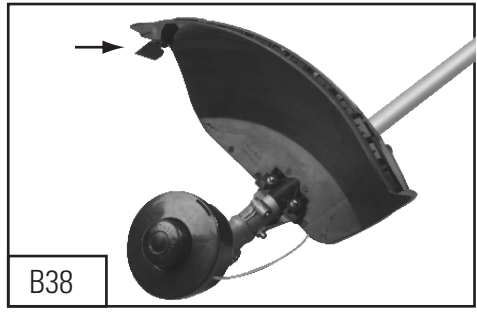
B36-1



B36-2



B37



B38



B39



B40



B41



B42

Notes on Safety and Warnings



Read the manual before operation!



Watch out for particles hurled in the cutting direction!



Make sure a minimum distance of 15 m is kept between machine and other persons during operation!



Wear approved ear protection, safety helmet, and safety goggles!



Wear skid-proof and sturdy shoes!



Wear high-quality and heavy-duty gloves!



Wear high-quality and heavy-duty working clothes!



Exhaust emitted is poisonous and has a suffocating effect!



Caution Risk of fire!
Gasoline and gasoline vapors are highly flammable!



Always use breathing apparatus when machining materials which generate dust.



Noise emission complies with Directive 2000/14/EC!





Important. Hot parts. Keep your distance.



Do not use saw blades with this device!



During cold start, set the choke lever to , close the choke.
In a warm start, set the choke lever to , open the choke.

Dear Customer,
Congratulations for the purchase of your petrol brush cutter.



Carefully read this manual before you start operating the engine.

Improper use may cause damage to persons and property.

Persons not familiar with this manual are not permitted to operate the tool. Keep this manual at a safe location.

Children and teenagers younger the age of 16 are not permitted to use the tool. Teenagers older than age of 16 and working under supervision of a trained person are permitted to use the tool.

Proper Use

Depending on the attached cutting tool, the petrol brush cutter is intended to trim lawns or grass, to cut brushwood, shrubbery, bushes, and small trees in private areas.

This tool shall not be used for any other purpose. The manufacturer is not liable for any improper use, or for any modifications of the engine.

Observe the notes on safety, the assembly and operation instructions, and in addition to that prevailing accident prevention regulations.

Notes on Safety

Make sure that no persons or animals are close to the working area (minimum distance of 15 m). Grass being cut and thrown up may contain foreign objects such as stones. You are responsible for the safety in your working area, and you are liable for damages to persons or property.

It is not permitted to either start or use the petrol brush cutter in the vicinity of persons or animals.

Do not use the tool when you are tired or distracted, or your ability to react is impaired when you are under the influence of alcohol or medication.

Inattentiveness may cause serious injuries.

Use approved safety goggles.

Use approved ear protection.

Use high-quality safety gloves.

Use high-quality skid-proof protective shoes with safety steel caps. Never operate the tool wearing sandals, or when barefoot.

Always wear an approved safety helmet for working in a forest.

Do not wear wide clothing or jewelry.

Wear long trousers to protect your legs.

Wear safety helmet for long hair.

Loose clothing, jewelry, and long hair can get caught in the moving parts.

Wear suitable and durable tight fitting working clothes.

Keep body parts and clothing away from the cutting tool when you start the engine, or keep it running.

Make sure you are standing in a stable and secure position during work. Avoid moving backwards with the tool due to risk of stumbling. Avoid any unnatural posture.

When the petrol cutting blade has been operated for long hours, it may cause a circulatory disorder due to vibration (Raynaud's disease). In this case, it is impossible to specify any length of operation, because it may differ from person to person. The following factors can have an influence on this phenomenon: Circulatory disorders in the hands of the operator, low outdoor temperatures, long hours of operation. Therefore, it is recommended to wear warm protective gloves, and to take breaks at regular intervals.

The exhaust of internal combustion engines is poisonous and can lead to suffocation, among others. It is not allowed to operate the petrol cutting blade in closed or poorly ventilated rooms.

Fill the gasoline tank only outdoors, or in well-ventilated areas.

Gasoline and gasoline vapors are highly flammable. Keep away from flammable materials and sources of ignition, such as ovens or stoves.

Do not smoke while refueling or operating the tool.

Immediately wipe away spilled gasoline.

Start the petrol cutting blade only at a location far away from the place of refueling.

Always make sure that the cover of the fuel tank is well closed. Look out for possible leakage.

When the engine is running or the engine is hot, it is not allowed to open the cap of the fuel tank or fill gasoline.

Open the cap of the fuel tank slowly so that gasoline vapor can escape.

Make sure the handles are dry, clean, and free of gasoline mixed with oil.

Do not use the tool without exhaust pipe and when the exhaust pipe guard is not properly installed.

Do not touch the exhaust pipe, there is a risk of burns.

Only use the fuel recommended in the manual. Keep gasoline only in containers designed for it, and store it at a safe location.

While cutting on a slope, always stand below the cutting tool.

Always make sure no objects or other debris is collecting in the trimmer head, in the protective hood, or in the engine.

Always switch o the tool before you put it down.

Do not use any wire, or anything similar in the line spool.

Only work during daylight, or when the area is illuminated well using artificial lighting.

Subject the tool to a visual inspection before each use.

Check, if all screws and connecting parts are tightened.

Always use both hands to hold the tool.

Check the tool, and its components and guards for damages, or wear and tear before each use, and have it repaired, if necessary. Never make the devices for protection and safety inoperable. Do not use the tool, when damages or signs of wear become apparent.

Keep the tools clean and fully functional to ensure better and safer work.

Always maintain a safe distance between the tool and your body during work.

Always switch o the tool when work will be interrupted or the location will be changed; wait until the cutting tools have completely stopped, and turn o the engine.

Never leave the tool without supervision at the place of work. Store the tool at a safe place when

work will be interrupted.

Persons operating the machine must not be distracted, or one may lose control over the tool.

Never use the tool during rain, in a humid or wet environment, and do not store it outdoors.

Should the tool become wet, wait until it is completely dry before you use it again.

Before starting work, it is recommended to check the objects to be cut for possible foreign objects and to remove them. When despite of this you encounter a foreign object during cutting, switch o the tool and remove this object.

If the tool is jammed by a foreign object (stones, piles of grass), switch it o, and remove the object using a blunt item. Never use your ngers to remove jammed foreign objects, because this may cause serious injuries.

Always keep the running tool away from your body.

Attention: the cutting tool still runs for some time after the tool is switched off!

Do not overload the engine, and do not use it for work the tool is not designed for.

Always make sure the ventilation openings are free of dirt.

Store the tool out of the reach of children.

Store the tool at a safe and dry location.

Check the engine for damages after impact, or other damages.

Keep body parts and pieces of clothing away from the trimmer head when you start the engine, or keep it running.

Always keep in mind that especially during trimming of lawn edges, gravel enclosures, and similar locations stone and dirt can be hurled away from the cutting line.

Never cross roads or paths when the tool is switched on.

G B

Never cut against hard objects such as stone, etc.
This way you avoid injuries, and damages to the tool.

Never use the tool without the guards attached.

Never use your hands to stop the cutting device.

Always wait until it stops on its own.

Hold and guide the trimmer head as close to the ground as possible.

Only cut grass growing on the ground. Do not cut grass in cracks in walls, growing or on rocks, etc.

Always make sure no objects, or other debris is collecting in the trimmer head, in the protective hood, or in the engine.

Only use the tool, when the guard is attached.

Always switch off the tool, before you put it down.

Keep in mind that there is risk of injuries in the area of the cutting device intended to cut off the line.

CAUTION: The cutting tool continues rotating for a few seconds after the engine is turned off.

Put the tool down only after the cutting tool has completely stopped and the motor is turned off.

When the cutting tool is damaged, it must be replaced at once.

Always use the original line only. Never use a metal wire instead of the nylon line.

Tool and cutting tools must be properly inspected and serviced periodically. Damages must be repaired by a service center.

Only use accessories recommended by the manufacturer.

Have your tool serviced only by qualified personnel and by use of original spare parts only.
This ensures that the tool will work safely in the future.

Assembly

Check if all parts are included and if they were damaged during transport before assembly.

1. Place the tool horizontally with the engine facing towards the ground.
2. Release the clamp screw (19) (A1), and insert the top and bottom Trimmer tube into the provided connector (A2).
3. Slightly twist the bottom Trimmer tube to engage the retention pin (20) in the bore hole of the connector. Then tighten the clamp screw.
4. To disassemble, loosen the clamp screw, push the retention pin inwards, and pull the Trimmer tube apart (A4).

Handlebars

The design of the petrol brush cutter allows for operation at the right side of the user's body.

- Put the bigger spring(24) into the bottom side of the rotatable bracket(23). (B3-2)
- Press the smaller(25) spring into the top side of the rotatable bracket(23).(B3-3)
- Put the handle bar(2) into the slot of the rotatable bracket(23).(B3-4)
- Connect and close the bracket cover(26) and rotatable bracket(23) by using the hooks on the bracket cover.(B3-5)
- Insert the Clamp screw for handrail holder (1) through the bracket cover(26) and rotatable bracket(23).(B3-6)
- Put the bracket assembling onto the bracket base (22) and slightly tighten the Clamp screw for handrail holder (1) .(B3-7&B3-8) - Adjust the handle bar into the operating angle and tighten the Clamp screw for handrail holder (1).(B3-9)

When you store the tool, you can slightly loose the Clamp screw for handrail holder (1) and rotate the handle bar to parallel with the main shaft for save storage space.(B4-1&B4-2)

Assembly of Line Cassette

To avoid the risk of an unwanted engine start, pull

out the spark plug.

RISK OF INJURIES



CAUTION: Always wear protective gloves when working with and around cutting tools.

The petrol cutting blade is supplied with attached cutting blade (11) and associated guard (12).

To use the petrol cutting blade as grass trimmer, proper guard (12) and line spool (13) must be attached.

The cutting protection can be installed like pictures B5-1 and B5-2.

- Use a screwdriver, or the supplied Allen key (14) to fix the shaft of the petrol brush cutter at the intended location (B6) by a locknut.

- Use the supplied hexagon wrench (15) to loosen the hexagonal screw for attachment of the cutting blade (B7) by turning it in clockwise direction.

- Remove the hexagonal screw, the lock washer, and the retaining disk for the cutting blade (B8). Keep these parts at a safe location.

- Attach the locking part (B9).

- Use a screwdriver, or the supplied Allen key to fix the shaft of the petrol cutting blade at the intended location by a locknut (B10).

- Now screw the line cassette (13) onto the shaft in a counter-clockwise direction (B10).

CAUTION: Left-handed Thread

Assembly of Cutting Blade

To avoid the risk of an unwanted engine start, pull out the spark plug socket.

RISK OF INJURIES



CAUTION: Always wear protective gloves when working with and around cutting tools.

The cutting blade must be sharpened periodically according to instructions. Improperly sharpened or blunt cutting edges may cause the tool to overload.

RISK OF RUPTURES and CRACKS

Fragments hurled away from the cutting tool can cause extremely severe injuries.

To use the petrol cutting blade as an engine powered trimmer, the proper guard and cutting blade must be attached.

- Use a screwdriver, or the supplied Allen key to fix the shaft of the petrol cutting blade at the intended location by a locknut. Now remove the line cassette (13) from the shaft by turning it in clockwise direction (B11).

- Place the cutting blade (12) on the locking part.

- Place the retaining disk (observe side) and the lock washer on the cutting blade (11) (B13).

- Use a screwdriver, or the supplied Allen key to fix the shaft of the petrol cutting blade at the intended location by a locknut. Screw the hexagonal screw on the shaft in anti-clockwise direction, and use the supplied hexagonal wrench (15) to tighten this screw (B14).

CAUTION: Left-handed Thread

Assembly of Carrying Strap

The petrol cutting blade must be used with a carrying strap (17).

First, balance the petrol brush cutter when the tool is switched off.

- Wear the shoulder strap (17).

- Adjust the strap length so that the snap hook is

roughly one hand below the right hip (B15).

- Hook the petrol cutting blade into the snap hook.
- Let the petrol cutting blade swing.

When standing in a normal working posture, the cutting tool should just touch the ground (B16).

- You may use an Allen key to loosen the bracket, if necessary, and shift forwards or backwards. Thereby, it is important that the petrol brush cutter is always well balanced (B17).

For operation, hook the petrol brush cutter into the snap hook of the carrying strap while the engine is running.

Fuel

Only use a mix of unleaded regular gasoline and 2-stroke special engine oil in a mix ratio of 40:1.

Caution: Do not use any other mix ratio and do not use pure gasoline.

Do not use any fuel older than 2-3 months. Empty the tank when taking longer breaks, and refill before start of work.

Gasoline Mix

4,0 liters of gasoline and 100 ml of 2-stroke special engine oil (filling station)

- Fill 4,0 liters of gasoline into a fuel tank together with 100 ml 2-stroke engine oil and mix both by shaking the tank vigorously.
- Fill the fuel into the tank and close the cap.

Filling up Gasoline

- Slowly turn the tank cap to open it, so that pressure and gasoline vapor can escape in a non-hazardous manner.
- Use a funnel to fill up the 2-stroke oil mixed with gasoline in a ratio of 40:1, and tighten the cap again.

Starting when Engine is Cold

- Place the petrol cutting blade safely on the ground.

Fuel tank and cutting guard are used as support. Make sure that the cutting tool does not come into contact with either the ground, or any other objects (B18).

- Move the operating switch (4) at the operating handle down (B19).

- Move the choke lever (B20) up: 

- Press the injection valve and hold it, until the transparent gasoline tube fills with gasoline (B21).

- Use your right hand to clasp the operating handle (3). Thereby, you will unlock the locking device (5) of the throttle control (B22).

- Strongly press the throttle control (6).

- At the same time, press the locking button (18) (B23).

- Keep the locking button (18) pressed down, and release throttle control (6) and locking device (5). Thereby, the locking button (18) is kept pressed down automatically.

- Assume a safe posture.

- Use your left hand to keep the petrol brush cutter strongly pressed on the ground (B24). CAUTION: Never put your foot on the shaft, or kneel on it.

- Pull the starter cable completely through 3 to 5 times (B24).

- Move the choke lever (B25) down:

- Pull the starter cable through quickly and forcefully until the cable end several times, until the engine starts.



CAUTION - DANGER: The engine starts at half acceleration and with the rotating cutting tool. Keep the engine running for a few seconds.

When the throttle control is pressed shortly, the Locking button switches off automatically. The engine returns to idle running. The cutting tool stops after several seconds.

Turning off the Engine

- Let the engine return to idle running without pressing the throttle control.
- Move the operating switch (4) at the operating handle to "STOP" position (B26).



CAUTION. The cutting tool continues rotating for a few seconds after the engine is turned off. Hold both handles until the cutting tool has come to complete stop.

Starting when the Engine is Warm

- This is similar to the start of a cold engine. In this case, the choke level is always kept at |+| position at the bottom (B25).

Working with petrol brush cutter

- When you work with the petrol brush cutter for the first time, familiarize yourself with the operation and control of the petrol cutting blade without running engine.
- The design of the petrol brush cutter allows for operation only at the right side of the user's body.
- Always use both hands to hold the handles of the petrol cutting blade.
- Use your right hand to hold the operating handle, and your left hand to hold the handle of the handle tube.
- Always keep in mind that the cutting tool keeps

rotating for a short while after the throttle control was released.

- Always ensure a proper idle running of the engine so that the cutting tool will no longer rotate, when the throttle control is pressed.
- Always use the highest speed for work, this way you will achieve the best cutting result.

If you hit a stone or tree during work, switch off the engine and inspect the petrol brush cutter for damages.

Caution: When working in a difficult surrounding and on slopes, always stand below the cutting head.

Always wear safety goggles and ear protection, and a safety helmet during work in a forest.

Using Trimmer head for Cutting

- Use the plastic line cassette for a clean cut also at uneven edges, fencing posts, and trees.
- Carefully advance the trimming line to an obstacle, and use the tip of the line to cut around the obstacle. When the trimming line comes into contact with stones, trees, and walls, the line wears out or breaks off ahead of time. In this case, this can be happened that the yarn disappeared into the string spool housing and the trim line automatic transmission does not work anymore.
- Swing the petrol cutting blade like a normal scythe horizontally from right to left and back again. You define the cutting height depending on how high you are holding the tool.
- Never replace the nylon line with a metal wire.

RISK OF INJURIES

Using Cutting Blade for Cutting

- Use the cutting blade to comb through brushwood, rank growth, young tree populations (trunk diameter of maximum 2 cm), and high grass.

G B

- While using metal cutting tools, there is generally a risk of recoil, when the tool hits a solid obstacle (stones, trees, branches, etc.). Thereby, the tool is hurled backwards against the rotating direction.

- To cut rank growth and brushwood, you "immerse" the cutting blade from the top. This way, the objects to be cut will be chaed.

CAUTION: Be especially careful, when using this working technique, because the further away the cutting tool is from the ground, the higher is the risk that objects to be cut and particles will be hurled sideways.

- To comb through young tree populations and to cut grass, move the tool like a scythe closely above the ground.

CAUTION: Incorrect use and misuse can damage the bush cutter and cause severe injuries because of pieces hurled away.

- To minimize the risk of accidents by use of the cutting blade, take note of following points:

- Never cut shrubbery or wood whose diameter is larger than 2 cm.

- Avoid contact with metal bodies, stones, etc.

- Periodically check the cutting blade for damages.

Never continue to use a damaged cutting blade.

- When the cutting blade becomes apparently blunt, it must be sharpened according to instructions.

When the cutting blade is apparently out of balance, it must be replaced.

Automatic Feeding of Trimming Line

To extend the cutting line(22), run the engine at full speed and tap the line spool on the ground. This will automatically extend the line. The blade on the guard hood will cut the line to the permissible length.

Replacing the line spool/ cutting line

-Dismantle the line spool. Press the spool and remove one half of the housing.(B27-1 and B27-2)

- Take the spool plate(k) out of the line spool housing(B28).

- Place the new cutting line in the center and hang the loop which has formed into the recess in the Spool splitter(B29).

-Wind up the line counter-clockwise and under tension. The spool splitter will separate the two halves of the line(B30).

-Hook the last 15cm of the two ends of the line onto the opposite lying line holders of the spool plate(B31).

-Thread the two ends of the line through the metal eyelets in the line spool housing(B28).

-Press the spool plate into the line spool housing

-Pull the two line ends sharply to release them from the line holders.

-Join the housing parts together again

-Cut the excess line to a length of around 13cm. this will reduce the load on the engine when starting and warming up.

-Refit the line spool.

CAUTION:when you operate the machine please avoid the contact with curbs, stones and other hard objects, because the cutting line may break and the trim line automatic stops working. In this case, proceed acc. Pts. 1-11 "Replacing the line spool / cutting line".

Maintenance and Care

Gear Lubrication

Check the filling of lubrication grease every 25 hours of operation.

- Use an Allen key to remove the plug screw by turning (B32).

- When you cannot see any grease on the screw, fill approx. 5 g lubrication grease (DIY store) into the gearbox case, and close the ller opening again.

Keep in mind that the gearbox case should never be completely filled with lubrication grease.

Air filter

After working for longer time, you should clean the air filter. Dust and pollen plug up the pores of the filter made of foamed plastic.

- Remove the cover (B33), and wash the filter (B34) in mild soap water. Caution: Do not use any gasoline or solvent.

- Dry the filter before you insert it again. In order not to shorten the service life of the engine, a damaged air filter must be replaced at once.

Adjustment of Spark Plug

Check the spark plug air gap at least once a year or when the engine starts poorly. The correct gap between ignition flag and ignition contact is 0.25"/0.63 mm (B35).

- Wait until the engine has cooled down completely.
- Loose the screw and remove the plastic cover (B36-1).
- Pull the spark plug cap (B36-2) off the spark plug, and use the supplied spark plug wrench to remove the spark plug by turning (B37).
- When the electrode is severely worn out or reveals a strong incrustation, the spark plug must be replaced with an equivalent plug.

A strong incrustation of the spark plug can be caused by: Amount of oil is too high in the gasoline mix, poor oil quality, old gasoline mix, or plugged up air filter.

- Screw the spark plug by hand completely into the thread. (Avoid jamming it)
- Use the supplied spark plug wrench to tighten the spark plug.
- When using a torque wrench, the tightening torque is 12-15 Nm.

- Plug the spark plug socket correctly on the plug.

Trimming the Line Knife

- When the trimming line is no longer cut clean during feeding, use a file to re-sharpen the cutting edge (B38). File in one direction and in the specified angle.

Cleaning

Use a moist piece of cloth to clean the plastic parts.

Do not use any cleaning agents, solvents, or sharp objects.

During the course of work, wet grass and weed wraps around the drive shaft below the cutting guard for technical reasons. Remove this, otherwise the engine will overheat because of too much friction.

Periodical Checks

Keep in mind that following specifications relate to normal usage. Owing to circumstances (longer periods of daily work, severe dust exposure, etc.), the specified intervals will become correspondingly shorter.

Before start of work and after refueling: Check if cutting tools are seated securely, general view inspection, sharpen cutting blade (also, if necessary).

Weekly inspection: Lubrication of gear (also, if necessary).

If necessary: Retighten accessible fastening screws and nuts.

You will avoid excessive wear and tear and damages of the tool, when you follow the instructions in this manual.

The user is responsible for all damages caused by non-compliance with instructions in this manual.

This also applies to non-authorized modifications of the tool, use of non-authorized spare parts, accessories, working tools, unrelated and not

intended use, secondary damages due to use of faulty components.

Parts subject to wear

Even when used in the intended way, some components are subject to normal wear. They have to be replaced depending on the kind of duration of usage. These parts include, among others, the cutting tool and the retaining disk.

Storage/Winter

You should observe the following steps, so that the petrol cutting blade will work again trouble-free after a long time:

- Empty the fuel tank.
- Start the engine and let it run, until it comes to a stop.
- When the engine has cooled down, remove the spark plug.
- Fill a small spoon of 2-stroke mix into the spark plug opening, and slowly pull the starter cable through several times. Thereby, soot deposits will be blown out, and piston and cylinder will be lubricated.
- Check the spark plug and replace it, when the spark flag is burnt down too excessively.
- Store the petrol cutting blade at a dry location where it is not subject to risk of fire.

Restart after longer Breaks

1. Remove the spark plug.
2. Pull the starter cable through quickly several times, to remove oil and deposits in the engine compartment.
3. Check the spark plug and replace it, if necessary, and screw it back in again.

- Fill the fuel tank with a 2-stroke mix of 40:1.

- Start the engine as described in “Starting when Engine is cold”.

Specifications

Motor type:	Air-cooled 2-stroke engine
Max. Power output:	1,4 kW
Piston capacity:	51,2 cm ³
Idle speed:	3400 min ⁻¹
Clutch engaged speed:	4900 min ⁻¹
Max. Engine speed:	9000 min ⁻¹ (grass trimmer) 10500 min ⁻¹ (brush cutter)
Cutting diameter:	430 mm (grass trimmer) 255 mm (brush cutter)
Specific fuel consumption:	684 g/kWh
Tank volume:	850 ml
Weight:	7,8 kg, empty
Line size:	Ø 2,4 mm
Spark plug:	L8RTC(Torch)

Sound pressure level L_{PA}:
96.2 dB(A), K=3 dB(A) (grass trimmer)
97.2 dB(A), K=3 dB(A) (brush cutter)

Sound power level L_{WA}:
109.2dB(A),K=3dB(A) (grass trimmer)
108.4dB(A),K=3dB(A) (brush cutter)

Vibration: 8,484 m/s² K=1,5 m/s² (grass trimmer)
6,243 m/s² K=1,5 m/s² (brush cutter)

Overview of Tool Components (A1)(B1)

1. Clamp screw for handrail holder
2. Handlebar
3. Operating handle
4. Operating switch
5. Locking device
6. Throttle lever
7. Suspension Harness
8. Exhaust pipe guard
9. Engine
10. Fuel tank
11. Cutting blade
12. Cutting guard
13. Trimmer head
14. Allen key
15. Spark plug wrench
16. Gasoline Blending tank
17. Carrying strap
18. Locking button
19. Locking screw
20. Retention pin
21. Cutting line
22. Bracket base
23. Rotatable bracket
24. Bigger spring
25. Smaller spring
26. Bracket cover

Problem	Possible Cause	Trouble shooting
The engine stops.	Incorrect adjustment of carburetor	Have the carburetor adjusted by a technician.
The tool starts, but the engine has little power.	Incorrect adjustment of choke lever Air filter is dirty Incorrect adjustment of carburetor	Switch to + Remove the filter made of foamed plastic, wash in soapy water and reinsert when dry. Have the carburetor adjusted by a technician.
The tool does not start, or starts, but does not run.	Incorrect procedure when starting Incorrect adjustment of carburetor Spark plug is full of soot Gasoline filter plugged up	Observe the instructions in "Starting when Engine is Cold 1-8". Have the carburetor adjusted by a technician. Clean the spark plug, correct the air gap, or replace the spark plug. Replace gasoline filter
Engine runs irregularly.	Incorrect air gap at spark plug Spark plug burnt down	Clean the spark plug, correct the air gap, ideal is 0,25"/0.63 mm, or replace the spark plug.
Excessive emission of smoke.	Incorrect air gap at spark plug Spark plug burnt down	Have the carburetor adjusted by a technician. Empty the tank, fill in the correct mix: 2-stroke mix 40:1.

D

Inhaltsverzeichnis

- Symbolerklärung
- Bestimmungsgemäße Verwendung
- Sicherheitshinweise
- Übersicht Gerätekomponenten (A1)(B1)
- Montage
- Kraftstoff
- Start bei kaltem Motor
- Motor abstellen
- Start bei warmen Motor
- Arbeiten mit Benzin-Motorsense
- Wartung und Pflege
- Technische Daten
- Störung und Behebung
- Umweltschutz

Symbolerklärung



Vor Inbetriebnahme
Gebrauchsanleitung lesen!



Achtung! Gefahr durch
herumschleudernde Objekte!



Während des Betriebs auf einen
Mindestabstand von 15 m zwischen
Maschine und anderen Personen
achten!



Zugelassenen Gehörschutz,
Kopfschutz und Schutzbrille
tragen!



Rutschfeste und widerstandsfähige
Schuhe tragen!



Gute und widerstandsfähige
Handschuhe tragen!



Gute und widerstandsfähige
Arbeitskleidung tragen!



Drücken Sie vor Gebrauch des Geräts
die Einspritzpumpe 10 mal, um
sicherzustellen, dass sich genügend
Kraftstoff in der Leitung befindet.



Die entstehenden Abgase sind
giftig und wirken erstickend!



ACHTUNG Brandgefahr!
Benzin und Benzindämpfe sind
leicht entzündlich!



Tragen Sie eine Staubschutzmaske.



Garantierter Schalleistungspegel





Achtung, heiße Oberflächen! Nicht
berühren.



Benutzen Sie keine Sägeblätter mit
diesem Gerät!



Während des Kaltstarts, stellen Sie den
Choke-Hebel auf , um den Choke zu
schließen.
Bei einem Warmstart, stellen Sie den
Choke-Hebel auf , um den Choke zu
öffnen.

Liebe Kundin, lieber Kunde,
herzlichen Glückwunsch zum Erwerb Ihrer
Benzin-Motorsense.



Dieses Gerät entspricht den vorgeschriebenen
Sicherheitsbestimmungen für
Verbrennungsmotoren.

Lesen Sie die Gebrauchsanleitung aufmerksam
durch, bevor Sie die Maschine in Betrieb nehmen.
Ein unsachgemäßer Gebrauch kann zu Schäden an
Personen und Sachen führen.
Personen, die mit der Anleitung nicht vertraut
sind, dürfen das Gerät nicht bedienen. Bewahren
Sie die Gebrauchsanleitung sorgfältig auf.
Kindern und Jugendlichen unter 16 ist die
Benutzung des Gerätes nicht gestattet.
Jugendlichen über 16, die unter Anleitung einer
ausgebildeten Person arbeiten, ist die Benutzung
gestattet.

Bestimmungsgemäße Verwendung

Die Benzin-Motorsense ist abhängig vom montieren Schneidwerkzeug bestimmt zum Trimmen von Rasen oder Gras, zum Schneiden von Gestrüpp, Sträuchern, Büschen und jungen Bäumen im privaten Bereich. Für den gewerblichen oder gleichwertigen Einsatz ist das Gerät nicht geeignet.

Das Gerät darf für andere Zwecke nicht genutzt werden.

Bei nicht bestimmungsgemäßer Verwendung sowie bei Veränderungen an der Maschine übernimmt der Hersteller keinerlei Haftung.

Beachten Sie ebenso die Sicherheitshinweise, die Montage- und Bedienungsanleitung sowie darüber hinaus die allgemein geltenden Unfallverhütungsvorschriften.

Sicherheitshinweise

Achten Sie darauf, dass sich keine Personen oder Tiere in der Nähe des Arbeitsbereiches befinden (Mindestabstand von 15 m). Im geschnittenen und aufgewirbelten Gras können sich Fremdkörper wie Steine befinden. Sie tragen die Verantwortung für die Sicherheit in Ihrem Arbeitsbereich und sind haftungspflichtig für Schäden an Personen oder Gegenständen.

Die Benzin-Motorsense darf in der Nähe von Personen oder Tieren weder gestartet noch benutzt werden.

Verwenden Sie das Gerät nicht, wenn Sie müde oder unkonzentriert sind, unter Alkohol- oder Drogeneinfluss stehen. Unaufmerksamkeit kann zu ernsthaften Verletzungen führen.

Verwenden Sie eine zugelassene Schutzbrille. Verwenden Sie einen zugelassenen Gehörschutz. Verwenden Sie gute Schutzhandschuhe.

Verwenden Sie gute rutschfeste Arbeitsschuhe mit Sicherheitsstahlkappen. Arbeiten Sie mit dem Gerät niemals mit Sandalen oder gar Barfuß. Tragen Sie bei Ausforstungsarbeiten unbedingt

einen zugelassenen Schutzhelm.

Tragen Sie keine weite Kleidung oder Schmuck. Tragen Sie lange Hosen zum Schutz Ihrer Beine. Verwenden Sie bei langen Haaren eine Kopfbedeckung. Lockere Kleidung, Schmuck und lange Haare können von sich bewegenden Teilen erfasst werden.

Tragen Sie geeignete feste, eng anliegende Arbeitskleidung.

Halten Sie Körperteile und Kleidungsstücke fern vom Schneidwerkzeug, wenn Sie den Motor anlassen oder laufen lassen.

Achten Sie beim Arbeiten auf einen festen und sicheren Stand. Vermeiden Sie es wegen der Stolpergefahr, mit dem Gerät rückwärts zu gehen. Vermeiden Sie abnormale Körperhaltungen. Bei längerer Anwendung der Benzin-Motorsense kann es zu einer vibrationsbedingten Durchblutungsstörung kommen (Weißfingerkrankheit). Angaben über die Dauer der Anwendung können in diesem Fall nicht gemacht werden, da dies von Person zu Person unterschiedlich sein kann. Folgende Faktoren können diese Erscheinung beeinflussen: Durchblutungsstörungen der Hände des Bedieners, niedrige Außentemperaturen, lange Anwendungszeiten. Deshalb wird empfohlen warme Arbeitshandschuhe zu tragen und regelmäßige Arbeitspausen einzulegen.

Die Abgase von Verbrennungsmotoren sind giftig und können unter anderem zur Erstickung führen. Das Gerät darf nur im Freien in Betrieb genommen werden.

Befüllen Sie den Kraftstofftank nur im Freien oder in ausreichend belüfteten Bereichen.

Benzin und Benzindämpfe sind leicht entzündbar. Halten Sie das Gerät fern von entflammaren Materialien und Zündquellen wie z.B. Öfen oder Herde.

D



Rauchen Sie nicht, während Sie das Gerät auftanken oder betätigen.



Trocknen Sie eventuell verschüttetes Benzin sofort auf.

Starten Sie die Benzin-Motorsense nur an einem von der Auftankstelle entfernten Ort.

Achten Sie darauf, dass der Deckel des Tankbehälters stets gut verschlossen ist. Achten Sie auf eventuelle Leckstellen.

Während der Motor läuft oder bei heißer Maschine darf der Tankverschluss nicht geöffnet oder Kraftstoff nachgefüllt werden.

Tankverschluss langsam öffnen damit Benzindämpfe entweichen können.

Achten Sie darauf, dass die Griffe trocken, sauber und frei von Fremdstoffen (Benzin, Öl, Schmierfett oder ähnlichen Stoffen) sind.

Benutzen Sie das Gerät nicht ohne Auspuff und richtig installiertem Auspuffschutz.

Berühren Sie den Auspuff nicht. Gefahr von Verbrennungen.

Verwenden Sie nur den in der Anleitung empfohlenen Treibstoff.

Bewahren Sie Benzin nur in dafür vorgesehenen Behältern an einem sicheren Ort auf.

Stehen Sie beim Schneiden am Abhang immer unterhalb des Schneidwerkzeugs.

Achten Sie immer darauf, dass sich im Fadenkopf, in der Schutzhaube oder im Motor keine Gegenstände o.ä. ansammeln.

Verwenden Sie keinen Draht oder Ähnliches in der Fadenspule.

Arbeiten Sie nur bei Tageslicht oder guter künstlicher

Beleuchtung.

Führen Sie vor jeder Benutzung eine Sichtprüfung des Gerätes durch.

Prüfen Sie, ob alle Schrauben und Verbindungsteile fest angezogen sind.

Halten Sie das Gerät stets mit beiden Händen fest. Überprüfen Sie vor jedem Einsatz das Gerät und seine Komponenten und Schutzvorrichtungen auf Beschädigungen oder Verschleiß und lassen gegebenenfalls die notwendigen Reparaturen durchführen. Setzen Sie Schutz- und Sicherheitsvorrichtungen niemals außer Kraft. Benutzen Sie das Gerät nicht, wenn Beschädigungen oder Abnutzungserscheinungen zu Tage treten sollten.

Halten Sie die Werkzeuge sauber und funktionstüchtig, um besser und sicherer arbeiten zu können.

Halten Sie das Gerät beim Arbeiten immer in ausreichendem Abstand zum Körper.

Bei Arbeitsunterbrechungen und Standortwechsel Gerät immer ausschalten, Stillstand des Schneidwerkzeugs abwarten und Motor abstellen.

Gerät nie unbeaufsichtigt am Arbeitsplatz liegen lassen. Lagern Sie das Gerät bei Arbeitsunterbrechungen an einem sicheren Ort.

Lassen Sie sich während der Arbeit mit diesem Gerät nicht ablenken. Sie können dadurch die Kontrolle über das Werkzeug verlieren.

Verwenden Sie das Gerät niemals bei Regen, in feuchter oder nasser Umgebung und lagern Sie es nicht im Freien.

Sollte das Gerät nass werden, warten Sie, bis es vollständig getrocknet ist, bevor Sie es wieder benutzen.

Suchen Sie den Arbeitsbereich vor dem Arbeiten mit diesem Gerät auf Fremdkörper ab und entfernen Sie

diese. Wenn Sie beim Schneiden trotzdem auf einen Fremdkörper treffen sollten, schalten Sie das Gerät aus und entfernen Sie diesen.

Im Falle eines Blockierens durch Fremdkörper (Stein, Grasansammlung) schalten Sie das Gerät aus, und entfernen diesen mit einem stumpfen Gegenstand. Entfernen Sie blockierende Fremdkörper niemals mit den Fingern, da dies zu schweren Verletzungen führen kann. Laufendes Gerät unbedingt vom Körper fernhalten.

Überlasten Sie die Maschine nicht und führen Sie keine Arbeiten aus, für die das Gerät nicht vorgesehen ist.

Achten Sie darauf, dass die Belüftungsöffnungen immer frei von Verschmutzungen sind. Bewahren Sie das Gerät außerhalb der Reichweite von Kindern auf.

Bewahren Sie das Gerät an einem sicheren und trockenen Ort auf.

Nach Aufprall oder sonstigen Beschädigungen, prüfen Sie die Maschine auf Beschädigungen. Halten Sie Körperteile und Kleidungsstücke fern vom Fadenkopf, wenn Sie den Motor anlassen oder laufen lassen.

Achten Sie besonders beim Trimmen von Rasenkanten, Kieseinfassungen und dergleichen darauf, dass Steine und Erde von dem Scheidfaden weggeschleudert werden können.

Mit eingeschaltetem Gerät niemals Straßen oder Wege überqueren.

Schneiden Sie niemals gegen harte Gegenstände wie Steine usw. So vermeiden Sie Verletzungen und Beschädigungen des Gerätes.

Gerät niemals ohne Schutzvorrichtung verwenden.

Die Schneidvorrichtung niemals mit den Händen anhalten. Immer abwarten bis diese von alleine anhält.

Führen Sie den Fadenkopf so nah wie möglich am Boden.

Schneiden Sie nur Gras, das am Boden wächst. Gras in Mauerritzen oder auf Steinen darf nicht geschnitten werden.

Achten Sie immer darauf, dass sich im Fadenkopf, in der Schutzhaube oder im Motor keine Gegenstände o. ä. ansammeln.

Benutzen Sie das Gerät nur mit Schutzvorrichtung.

Schalten Sie das Gerät immer ab bevor Sie es abstellen.

Achten Sie auf Verletzungsgefahr im Bereich der Schneidvorrichtung, die dem Abschneiden des Fadens dient.

ACHTUNG: Das Schneidwerkzeug rotiert nach Abstellen der Maschine einige Sekunden nach. Legen Sie das Gerät erst ab nachdem das Schneidwerkzeug zum Stillstand gekommen ist und der Motor abgestellt wurde.

Tauschen Sie ein beschädigtes Schneidwerkzeug umgehend gegen ein neues aus.

Verwenden Sie immer nur den Originalfaden. Verwenden Sie anstelle des Nylonfadens niemals einen Metalldraht.

Das Gerät und die Schneidwerkzeuge müssen regelmäßig und sachgemäß überprüft und gewartet werden. Beschädigungen müssen von einer Fachwerkstatt instandgesetzt werden. Benutzen Sie nur vom Hersteller empfohlenes Zubehör.

Lassen Sie Ihr Gerät nur von qualifiziertem Fachpersonal und nur mit Original-Ersatzteilen reparieren. Damit wird sichergestellt, dass die Sicherheit des Geräts erhalten bleibt.

Restrisiken

Auch wenn Sie dieses Gerät vorschriftsmäßig bedienen, bleiben immer Restrisiken bestehen. Folgende Gefahren können im Zusammenhang mit der Bauweise und Ausführung dieses Geräts auftreten:

D

1. Gesundheitsschäden, die aus Hand-Arm-Schwingungen resultieren, falls das Gerät über einen längeren Zeitraum benutzt, nicht ordnungsgemäß geführt und gewartet wird.
2. Verletzungen und Sachschäden, verursacht durch herumschleudernde Werkzeugaufsätze, die aufgrund von plötzlicher Beschädigung, Verschleiß oder nicht ordnungsgemäßer Anbringung unerwartet aus/von dem Gerät geschleudert werden.

Warnung! Dieses Gerät erzeugt während des Betriebs ein elektromagnetisches Feld. Dieses Feld kann unter bestimmten Umständen aktive oder passive medizinische Implantate beeinträchtigen. Um die Gefahr von ernsthaften oder tödlichen Verletzungen zu verringern, empfehlen wir Personen mit medizinischen Implantaten ihren Arzt und den Hersteller vom medizinischen Implantat zu konsultieren, bevor das Gerät bedient wird.

Übersicht Gerätekomponenten (A1)(B1)

1. Klemmschraube für Handstangenhalterung
2. Handstange
3. Bediengriff
4. Betriebsschalter
5. Blockiervorrichtung
6. Gashebel
7. Aufhängung Tragegurt
8. Auspuffschutz
9. Motor
10. Benzintank
11. Dickichtmesser
12. Schneidschutz
13. Fadencassette
14. Innensechskantschlüssel
15. Zündkerzenschlüssel
16. Benzin-Misch-Behälter
17. Tragegurt
18. Halbtourenschalter
19. Klemmschraube
20. Arretierungsstift
21. Schnittfaden
22. Handstangenhalterung
23. Drehbare Halterung
24. Größere Feder
25. Kleinere Feder
26. Halterungsabdeckung

Montage

Überprüfen Sie vor der Montage alle Teile auf Vollständigkeit und Transportschäden.

1. Stellen Sie das Gerät senkrecht mit dem Motor nach unten auf den Boden.
2. Lösen Sie die Klemmschraube (19) (A1) und stecken Sie den unteren Schaft in die Aufnahme am oberen Schaft (A2).
3. Durch leichtes Verdrehen des unteren Schaftes rastet der Arretierungsstift (20) in das mittlere Bohrloch an der Aufnahme ein. Drehen Sie anschließend die Klemmschraube fest an.
4. Zum Zerlegen lockern Sie die Klemmschraube, drücken den Arretierungsstift ein und ziehen den unteren Schaft heraus (A4).

Handstangen

Die Benzin-Motorsense ist so konstruiert, dass sie vom Benutzer auf der rechten Körperseite verwendet wird.

- Setzen Sie die größere Feder (24) in die Unterseite der drehbaren Halterung ein (23). (B3-2)
- Drücken Sie die kleinere (25) Feder in die Oberseite der drehbaren Halterung (23). (B3-3)
- Legen Sie die Handstange (2) in die Nut der Drehbaren Halterung ein (23) (B3-4) -
- Anschließend nehmen Sie die Halterungsabdeckung(26) und verschließen die drehbare Halterung(23), indem Sie die Halterungsabdeckung in die Laschen der drehbaren Halterung einhängen. (B3-5).
- Stecken Sie die Klemmschraube für Handstangenhalterung(1) durch die Halterungsabdeckung (26) und die drehbare Halterung (23). (B3-6)
- Setzen Sie die Handstange auf die Handstangenhalterung(22) und ziehen Sie die Klemmschraube für Handstangenhalterung(1) leicht an.. (B3-7 & B3-8)
- Stellen Sie die Handstange (2) auf den richtigen Arbeitswinkel ein und ziehen Sie die Klemmschraube für Handstangenhalterung(1) fest. (B3-9)

Hinweis:

Durch Lösen der Klemmschraube für Handstangenhalterung(1), kann die Handstange wie in Bild (B4-1 & B4-2) verstellt werden. Dies spart Platz bei der Lagerung des Gerätes. (B4-1 & B4-2)

Montage Fadenkassette



Um die Gefahr des unbeabsichtigten Anlaufs zu vermeiden, ziehen Sie den Zündkerzenstecker.

VERLETZUNGSGEFAHR



ACHTUNG: Bei allen Arbeiten an und um Schneidwerkzeuge immer Schutzhandschuhe tragen.

Die Benzin-Motorsense wird mit montiertem Dickichtmesser (11) und ohne montiertem Schneidschutz (12) geliefert.

Um die Benzin-Motorsense als Grastrimmer zu verwenden muss der Schneidschutz (12) und die Fadenspule (13) montiert werden.

Die Montage des Schneidschutzes erfolgt wie in den Abbildungen B5-1 und B5-2 gezeigt.

Montage der Fadenspule

- Kontern Sie die Welle der Benzin-Motorsense an vorgesehener Stelle (B6) mit einem Schraubenzieher oder mit dem mitgelieferten Innensechskantschlüssel (14).

- Lösen Sie mit dem Zündkerzenschlüssel (15) die Sechskantmutter, die zur Befestigung des Dickichtmessers dient (B7), durch Drehen im Uhrzeigersinn.

- Entfernen Sie die Sechskantmutter, den Spannflansch und den Halteteller für das Dickichtmesser (B8). Bewahren Sie diese Teile gut auf.
- Setzen Sie das Konterstück auf (B9).

- Kontern Sie die Welle der Benzin-Motorsense an

vorgesehener Stelle mit einem Schraubenzieher oder mit dem mitgelieferten Innensechskantschlüssel (14) (B10).

- Drehen Sie die Fadenkassette (13) gegen den Uhrzeigersinn auf die Welle (B10).

ACHTUNG: Linksgewinde Montage Dickichtmesser



Um die Gefahr des unbeabsichtigten Anlaufs zu vermeiden, ziehen Sie den Zündkerzenstecker.

VERLETZUNGSGEFAHR



ACHTUNG: Bei allen Arbeiten an und um Schneidwerkzeuge immer Schutzhandschuhe tragen.

Das Sensenblatt muss regelmäßig nach Vorschrift geschärft werden. Unsachgemäß geschärfte oder stumpfe Schneiden können zu einer überhöhten Belastung des Werkzeugs führen.

BRUCH- und RISSGEFAHR

Weggeschleuderte Bruchstücke vom Schneidwerkzeug können zu schwersten Verletzungen führen.

Um die Benzin-Motorsense als Motorsense zu verwenden muss der Schneidschutz und das Dickichtmesser montiert werden.

- Kontern Sie die Welle der Benzin-Motorsense an vorgesehener Stelle mit einem Schraubenzieher oder mit dem mitgelieferten Innensechskantschlüssel (14). Drehen Sie die Fadenkassette (13) im Uhrzeigersinn von der Welle ab.

- Setzen Sie das Dickichtmesser (12) auf das Konterstück.

- Setzen Sie den Spannflansch und den Halteteller (Ausrichtung beachten) auf das Dickichtmesser (11), (B13).

D

- Kontern Sie die Welle der Benzin-Motorsense an vorgesehener Stelle mit einem Schraubenzieher oder mit dem mitgelieferten Innensechskant-schlüssel (14).

Drehen Sie die Sechskantmutter gegen den Uhrzeigersinn auf die Welle und ziehen Sie diese mit dem Zündkerzenschlüssel (15) fest (B14).

ACHTUNG: Linksgewinde

Montage Tragegurt

Die Benzin-Motorsense muss mit einem Tragegurt (17) verwendet werden.

Balancieren Sie die Benzin-Motorsense zuerst bei ausgeschaltetem Gerät aus.

- Legen Sie den Tragegurt (17) an.
- Stellen Sie die Gurtlänge so ein, dass sich der Karabinerhaken ca. eine Handbreite unterhalb der rechten Hüfte befindet (B15).
- Hängen Sie die Benzin-Motorsense am Karabinerhaken ein.
- Benzin-Motorsense auspendeln lassen. Das Schneidwerkzeug darf bei normaler Arbeitshaltung gerade noch den Boden berühren (B16).
- Sie können die Aufhängung für den Tragegurt (7) bei Bedarf mit dem Innensechskantschlüssel (14) lockern und nach vorne oder nach hinten verschieben. Wichtig dabei ist, dass die Benzin-Motorsense immer gut austariert ist (B17).

Hängen Sie das Gerät mit laufendem Motor an den Karabinerhaken des Tragegurts.

Kraftstoff



ACHTUNG! Schalten Sie das Gerät aus, lassen Sie es abkühlen und ziehen Sie den Zündkerzenstecker, bevor Sie Kraftstoff auffüllen.

Verwenden Sie nur ein Gemisch aus bleifreiem Normal- oder Superbenzin und Spezial-2-Takt-Motoröl im Mischungsverhältnis 40:1.

Achtung: Verwenden Sie kein anderes Mischungsverhältnis und kein reines Benzin. Verwenden Sie keinen Kraftstoff, der älter als 2-3 Monate ist.

Bei längeren Arbeitspausen Tank entleeren und vor Arbeitsbeginn neu befüllen.

Benzin mischen

Geben Sie Kraftstoff und geeignetes 2-Takt-Motoröl im Verhältnis 40:1 in den Mischbehälter (17), z. B. 10 ml Öl auf 400 ml Benzin. Verschließen Sie den Behälter und verschmischen Sie Benzin und Öl durch kräftiges Schütteln.

Benzin einfüllen

- Schrauben Sie den Deckel des Tanks langsam auf, damit Druck und Benzindämpfe ungefährlich entweichen können.
- Füllen Sie das Kraftstoffgemisch am besten mit einem Trichter ein und schrauben den Deckel wieder fest zu.

Start bei kaltem Motor

- Legen Sie die Benzin-Motorsense sicher auf den Boden. Der Benzintank und der Schneidschutz bilden die Auflage. Achten Sie darauf, dass das Schneidwerkzeug weder den Boden noch irgendwelche anderen Gegenstände berührt (B18).
- Stellen Sie den Betriebsschalter (4) auf Ein-Position "I" (B19).
- Stellen Sie den Chokehebel (B20) nach oben: "OFF"
- Drücken Sie den Einspritzer solange, bis die transparente Benzinleitung mit Kraftstoff füllt (B21).
- Umgreifen Sie mit der rechten Hand den Bediengriff (3). Dadurch entriegeln Sie die Blockiervorrichtung (5) des Gashebels (B22).

- Drücken Sie den Gashebel (6).
- Drücken Sie gleichzeitig den Halbtourenschalter (18) (B23).
- Lassen Sie den Halbtourenschalter (18) gedrückt und lassen Gashebel (6) und Blockiervorrichtung (5) los. Der Halbtourenschalter (18) bleibt dadurch automatisch gedrückt.
- Nehmen Sie eine sichere Haltung ein.
- Halten Sie die Benzin-Motorsense mit der linken Hand fest auf den Boden gedrückt (B24).

ACHTUNG: Niemals Fuß auf den Schaft stellen oder darauf knien.

- Ziehen Sie das Anlasserseil 3 bis 5 mal vollständig durch (B24).
- Stellen Sie den Chokehebel (B20) nach oben auf "OFF".
- Ziehen Sie das Anlasserseil mehrmals zügig und kräftig bis zum Schnurende durch, bis der Motor anspringt.



ACHTUNG - GEFAHR: Der Motor startet halb beschleunigt und mit rotierender Schnittrichtung. Lassen Sie den Motor für einige Sekunden laufen.

Stellen Sie den Chokehebel (B25) nach unten auf "ON". Durch kurzes Drücken des Gashebels schaltet sich der Halbtourenschalter automatisch aus. Der Motor kehrt zurück in den Leerlauf. Das Schneidwerkzeug bleibt nach einigen Sekunden stehen.

Motor abstellen

- Lassen Sie den Motor ohne Gas in den Leerlauf zurückkehren.
- Stellen Sie den Betriebsschalter (4) am Bediengriff in Aus-Position "0" (B26).



ACHTUNG. Die Schnittrichtung rotiert nach Abstellen des Motors noch einige Sekunden weiter. Halten Sie beiden Griffe bis zum vollständigen Stillstand der Schnittrichtung fest.

D

Start bei warmen Motor

- Entspricht dem Vorgang wie beim kalten Motor. Chokehebel bleibt hier immer in der unteren Position "ON" (B25).

Arbeiten mit Benzin-Motorsense

- Machen Sie sich - mit ausgeschaltetem Gerät - zunächst mit Bedienung und Führung vertraut, wenn Sie das erste Mal mit einer Benzin-Motorsense arbeiten.
- Die Benzin-Motorsense ist so konzipiert, dass sie vom Bediener ausschließlich auf der rechten Körperseite geführt wird.
- Halten Sie die Benzin-Motorsense immer mit beiden Händen an den Griffen fest.
- Halten Sie mit der rechten Hand den Bediengriff und mit der linken Hand den Handgriff der Handstangen.
- Achten Sie immer darauf, dass sich das Schneidwerkzeug noch kurze Zeit weiterdreht, nachdem der Gashebel losgelassen wurde.
- Achten Sie immer auf einen einwandfreien Motorleerlauf, so dass sich das Schneidwerkzeug bei nicht gedrücktem Gashebel nicht mehr dreht.

- Arbeiten Sie immer mit hoher Drehzahl, so haben Sie das beste Schnittergebnis.

- Führen Sie das Gerät mit gleichmäßig bogenförmiger Bewegung von links nach rechts und wieder zurück. Schneiden Sie dann die nächste Bahn.

Achtung: Führen Sie das Gerät immer erst wieder zurück in die Ausgangsposition, bevor Sie die nächste Bahn schneiden.

D

- Stoßen Sie beim Arbeiten an einen Stein oder einen Baum, stellen Sie den Motor ab und ziehen den Zündkerzenstecker ab dann untersuchen Sie die Benzin-Motorsense auf Beschädigungen.

Achtung: Beim Arbeiten in schwierigem Gelände und an Hängen immer unterhalb des Sensenkopfes stehen.

Schneiden Sie bei hohem Gras stufenweise, um das Gerät nicht zu überlasten. Schneiden Sie zunächst die Spitzen, arbeiten Sie sich dann stufenweise vor.

Tragen Sie immer eine Schutzbrille und einen Gehörschutz und bei Ausforstungsarbeiten einen Schutzhelm.

Mähen mit Fadenkopf

- Verwenden Sie die Fadenkassette um einen sauberen Schnitt auch an unebenen Rändern, Zaunpfählen und Bäumen zu erhalten.

- Führen Sie den Trimmfaden vorsichtig an ein Hindernis heran und schneiden Sie mit der Fadenspitze um das Hindernis. Beim Kontakt des Trimmfadens mit Steinen, Bäumen und Mauern franst der Faden vorzeitig aus oder bricht. In diesem Fall kann es vorkommen, dass der Faden im Fadenspulengehäuse verschwindet und die Trimmfaden-Automatik nicht mehr funktioniert.

- Ersetzen Sie den Kunststofffaden niemals durch einen Metalldraht - Verletzungsgefahr!

Mähen mit Dickichtmesser

- Verwenden Sie das Dickichtmesser um Gestrüpp, Wildwuchs, junge Baumbestände (maximal 2 cm Stammdurchmesser) und hohes Gras zu durchforsten.

- Beim Einsatz von Metallschneidewerkzeugen besteht grundsätzlich die Gefahr eines Rückschlags, wenn das Werkzeug auf ein festes Hindernis (Steine, Bäume, Äste usw.) trifft. Dabei wird das Gerät gegen die Drehrichtung

zurückgeschleudert.

- Bei Wildwuchs und Gestrüpp „tauchen“ Sie das Dickichtmesser von oben ein. Dadurch wird das Schneidgut gehäckselt.

ACHTUNG: Verfahren Sie bei dieser Arbeitstechnik mit besonderer Vorsicht, denn je größer der Abstand des Schneidwerkzeugs zum Boden ist, desto größer ist die Gefahr, dass Schneidgut und Fremdoobjekte zur Seite geschleudert werden.

- Zum Durchforsten junger Baumbestände und zum Schneiden von Gras führen Sie das Gerät wie eine Sense dicht über dem Boden.

ACHTUNG: Falsche Anwendung und Missbrauch kann das Dickichtmesser beschädigen und schwere Verletzungen durch weggeschleuderte Teile verursachen.

- Um die Unfallgefahr durch Dickichtmesser zu mindern, beachten Sie folgende Punkte:

- Niemals Sträucher oder Hölzer mit mehr als 2 cm Durchmesser schneiden

- Vermeiden Sie den Kontakt mit Metallkörpern, Steinen usw.

- Kontrollieren Sie das Dickichtmesser regelmäßig auf Beschädigungen. Beschädigtes Dickichtmesser niemals weiter benutzen.

- Bei merklicher Abstumpfung des Dickichtmessers muss es nach Vorschrift von einer qualifizierten Fachkraft geschärft werden. Bei merklicher Unwucht muss das Dickichtmesser ausgetauscht werden.

Trimmfaden-Automatik

Zur Verlängerung des Schnitfadens (22) lassen Sie den Motor auf Vollgas laufen und tippen Sie die Fadenspule auf den Boden. Der Faden wird automatisch verlängert. Das Messer an der Schutzhaube (B38) kürzt den Faden auf die zulässige Länge.

Ersetzen von Fadenspule/Schnitfadens

1, Demontieren Sie die Fadenspule. Ziehen Sie die Spulenabdeckung durch kräftiges Drücken der

Haltetaschen von der Fadenspule ab(B27)

2, Spulenteller aus dem Fadenspulengehäuse entnehmen (B28)

3,Neuen Schnitffaden in der Mitte zusammenlegen und die entstandene Schlaufe in die Aussparung des Spulentellers einhängen. (B29)

4,Faden unter Spannung gegen den Uhrzeigersinn aufwickeln. Der Spulenteiler trennt dabei die beiden Hälften des Schnitffadens.(B30)

5,Die letzten 15 cm der beiden Fadenenden in die gegenüberliegenden Fadenhalter des Spulentellers einhaken. (B31)

6,Die beiden Fadenenden durch die Metallösen im Fadenspulen-Gehäuse führen (B28).

7,Spulenteller in das Fadenspulen-Gehäuse drücken.

8,Kurz und kräftig an beiden Fadenenden ziehen um diese aus den Fadenhaltern zu lösen.

9,Fügen Sie die Gehäusehälften wieder zusammen.

10,überschüssigen Faden auf etwa 13 cm zurückschneiden. Das verringert die Belastung auf den Motor während des Startens und Aufwärmens.

11,Fadenspule wieder montieren

Wichtig:

Vermeiden Sie beim Betrieb den Kontakt mit Bordsteinkanten, Steinen und anderen harten Gegenständen, da der Faden sonst brechen kann und die Trimmfaden-Automatik nicht mehr funktioniert. In diesem Fall verfahren Sie gem. Pkt. 1-11 "Ersetzen von Fadenspule/Schnitffaden"

Wartung und Pflege

Messer schleifen

Das Messer darf ausschließlich von einer qualifizierten und erfahrenen Fachkraft geschliffen werden. Unsachgemäß geschliffene Messer erhöhen die Bruch- und Rissgefahr.



ACHTUNG! Ziehen Sie vor allen Arbeiten am Gerät (z.B. Transport, Aufbau, Umrüst-, Reinigungs- und Wartungsarbeiten) sowie bei Nichtgebrauch den Zündkerzenstecker!

Getriebeschmierung

Kontrollieren Sie die Schmierfettfüllung ca. alle 25 Betriebsstunden.

- Drehen Sie die Verschlusschraube mit einem geeigneten Kreuzschlitz-Schraubendreher heraus (B32).

- Wenn kein Fett mehr an der Schraube zu sehen ist füllen Sie ca. 5 g Schmierfett (Baumarkt) in das Getriebegehäuse und verschließen die Einfüllöffnung wieder.

Achten Sie darauf, dass das Getriebegehäuse niemals vollständig mit Schmierfett gefüllt sein darf.

Luftfilter

Nach längerem Arbeiten sollten Sie den Luftfilter reinigen. Staub und Pollen verstopfen die Poren des Schaumstofffilters.

- Nehmen Sie die Abdeckung (B33) ab und waschen Sie den Filter (B34) in leichtem Seifenwasser. **Achtung:** Kein Benzin oder Lösungsmittel verwenden.

- Trocknen Sie den Filter, bevor Sie ihn wieder einsetzen.

Um die Lebensdauer des Motors nicht zu verkürzen, muss ein beschädigter Luftfilter sofort ersetzt werden

Zündkerzeneinstellung

Überprüfen Sie mindestens einmal im Jahr oder bei regelmäßig schlechtem Starten den Elektrodenabstand der Zündkerze. Der korrekte Abstand zwischen Zündfahne und Zündkontakt ist 0,63 mm/0,25" (B35).

- Warten Sie, bis der Motor vollständig ausgekühlt ist.

- Lösen Sie die Schraube und entfernen Sie die Plastikabdeckung (B36-1).

- Ziehen Sie die Zündkerzenkappe (B36-2) von der Zündkerze und drehen die Zündkerze mit dem mitgelieferten Zündkerzenschlüssel (16) (B37) heraus.

- Bei übermäßigem Verschleiß der Elektrode oder

D

bei sehr starker Verkrustung muss die Zündkerze mit einer typgleichen ersetzt werden.

Starke Verkrustung an der Zündkerze kann bedingt sein durch: Zu hoher Ölanteil im Benzingemisch, schlechte Ölqualität, überaltertes Benzingemisch oder verstopfter Luftfilter.

- Drehen Sie die Zündkerze mit der Hand komplett ins Gewinde. Vermeiden Sie dabei ein Verkanten der Zündkerze.

- Ziehen Sie die Zündkerze mit dem mitgelieferten Zündkerzenschlüssel (16) fest.

- Bei Verwendung eines Drehmomentschlüssels beträgt der Anzugsdrehmoment 12-15 Nm.

- Stecken Sie den Zündkerzenstecker korrekt auf die Kerze auf.

Trimmfadenmesser

- Wird der Trimmfaden beim Verlängern nicht mehr sauber abgeschnitten, feilen Sie die Schneidekante (B38) mit einer Feile nach. Feilen Sie in eine Richtung und im vorgegebenen Winkel.

Reinigung

Benutzen Sie zur Reinigung der Kunststoffteile einen feuchten Lappen. Keine Reinigungsmittel, Lösungsmittel oder spitze Gegenstände verwenden.

Technisch bedingt wickelt sich im Laufe der Arbeit nasses Gras und Unkraut um die Antriebsachse unter dem Schneidschutz. Entfernen Sie diese, da sonst der Motor durch zu hohe Reibung überhitzt wird.

Regelmäßige Kontrollen

Beachten Sie, dass sich die folgenden Angaben auf einen normalen Einsatz beziehen. Unter Umständen (längere tägliche Arbeit, starke Staubbelastung, usw.) verkürzen sich die angegebenen Intervalle dementsprechend.

Vor Arbeitsbeginn und nach Tankbefüllen: Schneidwerkzeuge auf festen Sitz prüfen, allgemeine Sichtprüfung, Dickichtmesser schärfen (auch nach Bedarf).

Wöchentliche Prüfung: Getriebeschmierung (auch nach Bedarf).

Bei Bedarf: Zugängliche Befestigungsschrauben und Muttern nachziehen.

Sie vermeiden übermäßigen Verschleiß und Schäden am Gerät, wenn Sie sich an die Vorgaben dieser Gebrauchsanleitung halten.

Für alle Schäden, die durch Nichtbeachten der in dieser Gebrauchsanleitung gegebenen Hinweise entstehen, ist der Nutzer selbst verantwortlich.

Dies gilt auch für nicht autorisierte Veränderungen am Gerät, Verwendung von nicht autorisierten Ersatzteilen, Anbauteilen, Arbeitswerkzeugen, artfremder und nicht bestimmungsgemäßer Einsatz, Folgeschäden durch Benutzung von defekten Bauteilen.

Verschleißteile

Auch bei bestimmungsgemäßen Gebrauch unterliegen manche Bauteile normalem Verschleiß.

Diese müssen je nach Art und Dauer der Nutzung regelmäßig ersetzt werden. Zu diesen Teilen gehört unter anderem das Schneidwerkzeug und der Halteteller.

Aufbewahrung/Überwintern

Damit die Benzin-Motorsense nach längerer Lagerzeit wieder problemlos funktioniert, sollten Sie folgendes beachten:

- Entleeren Sie den Benzintank (11) vor der Lagerung.

- Starten Sie den Motor und lassen ihn bis zum Stillstand laufen.

- Ist der Motor abgekühlt, entfernen Sie die Zündkerze.

- Füllen Sie einen kleinen Löffel 2-Takt-Gemisch in die Zündkerzenöffnung und ziehen die Anlasserschnur mehrmals langsam durch. Dadurch werden Rußablagerungen ausgeblasen sowie Kolben und Zylinder geschmiert.

- Bewahren Sie die Benzin-Motorsense an einem trockenen Ort, nicht feuergefährdet, auf.

Neustart nach längeren Arbeitspausen

1. Überprüfen Sie die Zündkerze, ersetzen Sie dieses gegebenenfalls und schrauben Sie diese in die Öffnung.

2. Ziehen Sie die Anlasserschnur mehrmals zügig durch, um den Motorraum von Öl und Ablagerungen zu beseitigen.

3. Füllen Sie den Benzintank mit 2-Takt-Mischung 40:1. Starten Sie wie unter „Start mit kaltem Motor“ beschrieben.

Technische Daten

Hubraum des Motors:	51,2 cm ³
Maximale Motorleistung (nach ISO 8893):	1,4 kW
Maximale Drehzahl der Spindel	
Dickichtmesser:	6750 min ⁻¹
Fadenpule:	7850 min ⁻¹

Motordrehzahl bei empfohlener max. Drehzahl der Spindel

Dickichtmesser:	9000 min ⁻¹
Fadenpule:	10500 min ⁻¹
Motordrehzahl im Leerlauf:	3400 min ⁻¹

Schneidwerkzeuge	Dickichtmesser:	Ø 255 x Ø 25,4 x 1,4 mm
Fadenpule:		Ø 2,4 mm
Schnittbereich Freischneider Ø:		255 mm
Schnittbereich Trimmer Ø:		430 mm
Volumen (Kraftstofftank):		0,85 l (0.85 cm ³)
Spezifischer Kraftstoffverbrauch (nach ISO 8893)		
bei max. Motorleistung:		684 g/kWh
Kraftstoff-Spezifikation:		

Mischverhältnis 40:1 (Benzin : Öl)

Öl-Spezifikation:	2-Takt-Motoröl
Masse (ohne Kraftstoff, Schneidwerkzeug und Schutzeinrichtung):	7,8 kg

Zündkerze

Typ:	L8RTC(Torch)
Schallwerte (gemäß ISO 22868)	
Schalldruckpegel L _{pAav}	
Freischneider:	97,2 dB(A)
Trimmer:	96,2 dB(A)

Schallleistungspegel L_{WAav}

Freischneider:	108,4 dB(A)
Trimmer:	109,2 dB(A)
Garantierter Schallleistungspegel L _{WAav} :	114 dB(A)
Unsicherheit K:	3 dB(A)

Hand-Arm-Vibration (gemäß ISO 22867)

Freischneider ahveq:	max. 6.243 m/s ²
Trimmer ahveq:	max. 8.484 m/s ²
Unsicherheit K:	1,5 m/s ²

Hinweis: Der angegebene Vibrationswert ist nach einem genormten Prüfverfahren ermittelt worden und kann verwendet werden, um verschiedene Geräte miteinander zu vergleichen.

Zudem eignet sich dieser Wert, um Belastungen für den Benutzer, die durch Vibrationen entstehen, im Vorhinein einschätzen zu können.

Warnung! Abhängig davon, wie Sie das Gerät einsetzen, können die tatsächlichen Vibrationswerte von dem angegebenen abweichen.

Ergreifen Sie Maßnahmen, um sich gegen Vibrationsbelastungen zu schützen. Berücksichtigen Sie dabei den gesamten Arbeitsablauf, also auch Zeitpunkte, zu denen das Elektrowerkzeug ohne Last arbeitet oder ausgeschaltet ist.

Geeignete Maßnahmen umfassen unter anderem eine regelmäßige Wartung und Pflege des Gerätes und der Einsatzwerkzeuge, Warmhalten der Hände, regelmäßige Pausen sowie eine gute Planung der Arbeitsabläufe.



D

Störung und Behebung

Störung	Mögliche Ursache	Fehlerbehebung
Der Motor stockt.	Falsche Vergaser-Einstellung	Den Vergaser von einem Fachmann einstellen lassen.
Das Gerät springt an, aber der Motor hat wenig Leistung.	Falsche Einstellung des Choke-Hebels Luftfilter verschmutzt Falsche Vergaser-Einstellung	Ändern Sie die Chokestellung Schaumstofffilter entfernen, mit Seifenwasser reinigen und trocken wieder einsetzen. Den Vergaser vom einem Fachmann einstellen lassen.
Das Gerät springt nicht an oder springt an, aber läuft nicht.	Fehlerhaftes Vorgehen beim Anlassen Falsche Vergaser-Einstellung Verrußte Zündkerze Benzinfilter verstopft	Folgen Sie den Anweisungen „Start bei kaltem Motor 1-8“. Den Vergaser von einem Fachmann einstellen lassen. Zündkerze reinigen, den Elektrodenabstand korrigieren oder Zündkerze ersetzen. Benzinfilter ersetzen
Der Motor läuft unregelmäßig.	Falscher Elektrodenabstand an Zündkerze Abgebrannte Zündkerze	Zündkerze reinigen, den Elektrodenabstand korrigieren, ideal 0,63 mm/0,25" oder Zündkerze ersetzen.
Übermäßige Rauchentwicklung.	Falsche Vergaser-Einstellung Falsche Treibstoffmischung	Den Vergaser von einem Fachmann einstellen lassen. Tank entleeren, richtige Mischung einfüllen: 2-Takt-Mischung 40:1.

Umweltschutz

Entsorgen Sie Gerät, Zubehör und Verpackung nicht einfach in den Mülleimer, sondern führen Sie es einer umweltgerechten Wiederverwertung zu. Dieser kleine Aufwand kommt unserer Umwelt zugute.

Recommandations de sécurité



Avant la mise en service, lire le mode d'emploi !



Veiller aux particules produites par le dispositif de coupe !

Pendant le fonctionnement, respecter une distance minimale de 15 m entre la machine et les autres personnes !



Porter une protection auditive homologuée, un chapeau ou un casque et des lunettes de protection !



Porter des chaussures antidérapantes et solides !



Porter des gants résistants et de bonne qualité !



Porter des vêtements de travail résistants et de bonne qualité !



Les gaz brûlés générés sont toxiques et ont une action étouffante !



ATTENTION Risque d'incendie !
L'essence et les vapeurs d'essence sont facilement inflammables !



Lors du travail sur des matériaux produisant de la poussière, utilisez toujours une protection respiratoire.



Niveau de bruit conformément à directive 2000/14/CE



Attention ! Pièces brûlantes. Restez à distance.

Chère cliente, cher client,
Félicitations pour l'achat de votre faux à moteur à moteur thermique.



Cet appareil correspond aux dispositions légales en matière de sécurité pour les moteurs à explosion.

Lisez attentivement le mode d'emploi avant de mettre la machine en service.

Une utilisation non conforme peut provoquer des dommages corporels et matériels.

Les personnes qui ne sont pas familiarisées avec le mode d'emploi ne doivent pas utiliser l'appareil. Conservez soigneusement le mode d'emploi.

L'utilisation de l'appareil par des enfants et adolescents de moins de 16 ans n'est pas autorisée. Les adolescents au-dessus de 16 ans peuvent utiliser l'appareil sous la surveillance d'une personne initiée.

Utilisation conforme

En fonction de l'outil de coupe monté, la faux à moteur thermique est conçue pour tondre du gazon ou de l'herbe, pour couper des broussailles, des buissons et de très petits arbres dans les jardins privés.

L'appareil ne doit pas être utilisé pour d'autres travaux.

Le fabricant refuse toute responsabilité en cas d'utilisation non conforme ou en cas de modifications apportées à la machine.

Respectez également les recommandations en matière de sécurité, les instructions de montage et le mode d'emploi ainsi que les dispositions légales en matière de prévention des accidents.

Recommandations en matière de sécurité

F

Veillez à ce que des personnes ou des animaux ne se trouvent pas à proximité de la zone de travail (distance minimale de 15 m). Des corps étrangers tels que des pierres peuvent se trouver dans l'herbe coupée et tourbillonnante. Vous êtes responsable de la sécurité dans votre zone de travail et de dommages corporels ou matériels.

La faux à moteur thermique ne doit être ni démarrée ni utilisée à proximité de personnes ou d'animaux.

N'utilisez pas l'appareil lorsque vous êtes fatigué ou que vous manquez de concentration ou si votre capacité de réaction est réduite suite à la consommation d'alcool ou de médicaments.

L'inattention peut entraîner des blessures graves.

Utilisez des lunettes de protection homologuées.

Utilisez une protection auditive homologuée.

Utilisez de bons gants de protection.

Utilisez de bonnes chaussures de travail antidérapantes avec des coquilles de sécurité en acier. Ne travaillez jamais avec l'appareil en sandales ou même pieds nus.

Lors de travaux d'élagage, portez impérativement un casque de protection homologué.

Ne portez pas de vêtements amples ou de bijoux.

Portez un pantalon long pour protéger vos jambes.

En cas de cheveux longs, portez un couvre-chef.

Des vêtements amples, bijoux et cheveux longs peuvent être happés par des pièces en mouvement.

Portez des vêtements de travail adaptés, solides et près du corps.

Eloignez le corps et les vêtements de l'outil de coupe lorsque vous démarrez le moteur ou lorsqu'il tourne.

Veillez à une position stable et sûre lorsque vous travaillez. En raison du risque de chute, évitez de marcher en arrière avec l'appareil. Évitez les positions anormales du corps.

En cas d'utilisation prolongée de la faux à moteur thermique, des troubles de la circulation du sang (maladie des doigts blancs) peuvent se présenter en raison des vibrations. Dans ce cas, nous ne pouvons pas donner d'indications concernant la durée d'utilisation, car ceci peut di érer d'une personne à l'autre. Les facteurs suivants peuvent influencer sur ce phénomène : troubles de la circulation du sang dans les mains de l'utilisateur, températures extérieures basses, longues durées d'utilisation. C'est pourquoi il est recommandé de porter des gants de travail chauds et de faire des pauses régulièrement.

Les gaz brûlés des moteurs à explosion sont toxiques et peuvent entraîner, entre autres, un étouffement. La faux à moteur thermique ne doit pas être mise en service dans des locaux fermés ou mal aérés.

Remplissez le réservoir de carburant uniquement à l'extérieur ou dans des secteurs suffisamment aérés.

L'essence et les vapeurs d'essence sont facilement inflammables. Eloignez-la de matériaux inflammables et de sources d'étincelles telles que par ex. des poêles ou des fours.

Ne fumez pas lorsque vous remplissez l'appareil ou lorsque vous l'utilisez.

Epongez immédiatement l'essence qui s'est éventuellement renversée.

Démarrez la faux à moteur thermique uniquement à un endroit éloigné de celui du remplissage.

Veillez à ce que le couvercle du réservoir à essence soit

toujours bien fermé. Faites attention à d'éventuelles fuites.

Le réservoir à essence ne doit pas être ouvert et il ne faut pas ajouter de carburant lorsque le moteur tourne ou lorsque la machine est chaude.

Ouvrir le réservoir doucement afin que les vapeurs d'essence puissent s'échapper.

Veillez à ce que les poignées soient sèches, propres et sans mélange d'essence.

N'utilisez pas l'appareil sans échappement ni sans protection d'échappement correctement installée.

Ne touchez pas l'échappement. Risque de brûlures.

Utilisez uniquement le carburant recommandé dans le mode d'emploi.

Conservez l'essence uniquement dans des récipients prévus à cet effet et dans un endroit sûr.

Lorsque vous coupez dans une pente, mettez-vous toujours au-dessous de l'outil de coupe.

Veillez à ce qu'il n'y ait aucun objet o.a. dans la tête de bobine, dans le capot de protection ou dans le moteur.

Coupez toujours l'appareil avant de le déposer. N'utilisez pas de fil de fer ou autres dans la bobine de fil.

Travaillez uniquement à la lumière du jour ou avec un bon éclairage artificiel.

Avant toute utilisation, effectuez un contrôle visuel de l'appareil. Vérifiez si toutes les vis et pièces de raccord sont bien serrées.

Tenez toujours l'appareil à deux mains.

Avant toute utilisation, contrôlez l'appareil et ses composants et dispositifs de protection quant à des dommages ou à l'usure et faites effectuer les

réparations nécessaires le cas échéant. Ne mettez jamais les dispositifs de protection et de sécurité hors service. N'utilisez pas l'appareil si vous constatez des dommages ou des phénomènes d'usure.

Maintenez les outils propres et fonctionnels afin de pouvoir travailler mieux et en toute sécurité. Tenez toujours l'appareil suffisamment éloigné du corps lorsque vous travaillez.

En cas d'interruptions de travail et de changement d'endroit, coupez toujours l'appareil, attendez l'arrêt de l'outil de coupe et coupez le moteur.

Ne jamais laisser l'appareil sans surveillance sur le lieu de travail. En cas d'interruptions de travail, déposez l'appareil dans un endroit sûr.

Les personnes travaillant avec la machine ne doivent pas être distraites. Elles pourraient de ce fait perdre le contrôle de l'outil.

N'utilisez jamais l'appareil sous la pluie, dans un endroit humide ou mouillé et ne le remisez pas à l'extérieur.

Si l'appareil est mouillé, attendez qu'il ait entièrement séché avant de l'utiliser à nouveau.

Avant le début du travail, il est recommandé de vérifier s'il n'y a pas de corps étrangers dans l'herbe à couper et de les retirer le cas échéant. Si, lors de la coupe, vous rencontrez malgré tout un corps étranger, coupez l'appareil et retirez-le. En cas de blocage dû à un corps étranger (pierre, accumulation d'herbe), coupez l'appareil et retirez-le avec un objet non pointu. Ne retirez jamais les corps étrangers bloquants avec les doigts, ceci peut entraîner des blessures graves. Eloigner impérativement l'appareil du corps lorsqu'il tourne.

Attention : l'outil de coupe tourne par inertie après la coupure de l'appareil !

Ne surchargez pas la machine et n'effectuez pas

de travaux pour lesquels l'appareil n'est pas prévu. Veillez à ce que les ouvertures d'aération soient toujours propres.

F Entreposez l'appareil hors de portée des enfants.

Entreposez l'appareil dans un endroit sûr et sec.

Après un choc ou un autre endommagement, vérifiez la machine quant à des dommages.

Tenez le corps et les vêtements éloignés de la tête de bobine lorsque vous démarrez le moteur ou lorsqu'il tourne.

Lorsque vous coupez des bordures d'herbe, des endroits entourés de gravier ou autres, tenez toujours compte du fait que des pierres et de la terre peuvent être projetées par le fil de coupe.

Ne jamais traverser des rues ou des chemins avec l'appareil enclenché.

Ne coupez jamais contre des objets durs tels que des pierres etc. vous évitez ainsi des blessures et l'endommagement de l'appareil.

Ne jamais utiliser l'appareil sans dispositif de protection.

Ne jamais arrêter le dispositif de coupe à la main.

Toujours attendre qu'il s'arrête lui-même.

Faites passer le fil de coupe le plus près possible du sol.

Coupez uniquement de l'herbe qui pousse dans le sol. Pas dans des fissures ou sur des pierres etc. Veillez toujours à ce qu'il n'y ait pas d'objets o.a. qui s'accumulent dans la tête de bobine, dans le capot de protection ou dans le moteur.

Utilisez l'appareil uniquement avec le dispositif de protection.

Coupez toujours l'appareil avant de le déposer.

Tenez compte du risque de blessures dans la zone du dispositif de coupe qui sert à couper le fil.

ATTENTION : L'outil de coupe continue à tourner pendant quelques secondes après la coupure de la machine.

Déposez l'appareil uniquement après que l'outil de coupe se soit arrêté et lorsque le moteur a été coupé.

Un outil de coupe endommagé doit être remplacé immédiatement.

N'utilisez toujours que le fil d'origine. N'utilisez jamais un fil en métal à la place du fil nylon.

L'appareil et les outils de coupe doivent être contrôlés et entretenus régulièrement et correctement. Les dommages doivent être réparés par un atelier spécialisé.

Utilisez uniquement les accessoires recommandés par le fabricant.

Faites réparer votre appareil uniquement par du personnel spécialisé et qualifié et uniquement avec des pièces de rechange d'origine. Cela garantit que la sécurité de l'appareil sera conservée.

Montage

Avant le montage, vérifiez toutes les pièces quant à leur intégralité et à des dommages dus au transport.

1. Posez l'appareil verticalement, moteur en bas, sur le sol.
2. Desserrez la vis de blocage (19) (A1) et insérez les tubes inférieur et supérieur de la faux dans le raccord prévu (A2).
3. En tournant légèrement le tube inférieur, la goupille de blocage (20) s'encliquette dans le trou. Serrez ensuite la vis de blocage.

4. Pour le désassemblage, desserrer la vis de blocage, appuyez sur la goupille de blocage et démonter le tube (A4).

Barres

La faux à moteur thermique est conçue de façon à être utilisée du côté droit du corps par l'utilisateur.

- Mettre le plus grand ressort (24) dans la partie inférieure du support rotatif (23). (B3-2)
- PRESS la plus petite (25) ressort dans la partie supérieure du support rotatif (23). (B3-3)
- Mettre la barre de poignée (2) dans la fente du support rotatif (23) (B3-4).
- Connecter et fermer le couvercle du support (26) et le support rotatif (23) à l'aide des crochets sur le couvercle du support (B3-5).
- Insérer la vis de la poignée (1) à travers le couvercle du support (26) et le support rotatif (23). (B3-6)
- Mettre Le support d'assemblage sur la base du support (22) et légèrement serrer la vis de la poignée (1). (B3-7 et B3-8)
- Ajuster la barre de poignée dans l'angle de fonctionnement et serrer la vis de la poignée. (B3-9)

Lorsque vous stockez l'outil, vous pouvez légèrement desserrer la vis de la poignée et tourner la barre de poignée parallèle à l'arbre principal pour économiser de l'espace de stockage. (B4-1 et B4-2)

Montage de la cassette de fil

Afin d'éviter le risque d'un démarrage involontaire, retirez la fiche de la bougie d'allumage.

RISQUE DE BLESSURES



ATTENTION : Toujours porter des gants de protection pour travailler de façon sûre et à proximité des outils de coupe.

La faux à moteur thermique est livrée avec un couteau à broussailles (11) monté et avec le dispositif de protection afférent (12).

Pour utiliser la faux à moteur thermique comme coupe-bordures, il faut monter le dispositif de protection correspondant (12) et la bobine de fil (13).

Installation de couper la protection est le même que dans les images B5-1 et B5-2.

- Contrez l'arbre de la faux à moteur thermique à l'endroit prévu (B6) avec un tournevis ou avec la clé à six pans creux jointe (14).

- Avec la clé à six pans creux jointe (15), desserrer la vis à tête à six pans creux servant à la fixation du couteau à broussailles (B7) en la tournant dans le sens des aiguilles d'une montre.

- Retirez la vis à tête à six pans creux, la rondelle grower et le disque de support pour le couteau à broussailles (B8). Conservez bien ces pièces.

- Installez la contre-pièce (B9).

- Contrez l'arbre de la faux à moteur thermique à l'endroit prévu (B6) avec un tournevis ou avec la clé à six pans creux jointe (B10).

- Tournez maintenant, dans le sens contraire aux aiguilles d'une montre, la cassette de fil (13) sur l'arbre (B10).

ATTENTION : filet à gauche

Montage du couteau à broussailles

Afin d'éviter le risque d'un démarrage involontaire, retirez la che de la bougie d'allumage.

RISQUE DE BLESSURES



ATTENTION : Toujours porter des gants de protection pour travailler sur et à proximité des outils de coupe.

La lame de la faux doit être affûtée régulièrement selon les instructions. Des lames mal ou pas affûtées peuvent entraîner une charge plus élevée de l'outil.

RISQUE DE CASSURE et DE FISSURE

F

Des morceaux de l'outil de coupe éjectés peuvent entraîner les blessures les plus graves.

Pour utiliser la faux à moteur thermique comme faux à moteur, il faut monter le dispositif de protection correspondant et le couteau à broussailles.

- Contrez l'arbre de la faux à moteur à essence à l'endroit prévu avec un tournevis ou avec la clé à six pans creux jointe. Tournez la cassette de fil (13) dans le sens des aiguilles d'une montre pour la retirer de l'arbre (B11).

- Installez le couteau à broussailles (12) sur la contre-pièce.

- Sur le couteau à broussailles (11), installez le disque de support (respecter le côté) et la rondelle grower (B13).

- Contrez l'arbre de la faux à moteur à essence à l'endroit prévu avec un tournevis ou avec la clé à six pans creux jointe. Tournez la vis à tête à six pans creux dans le sens contraire aux aiguilles d'une montre sur l'arbre et serrez-la avec la clé à six pans jointe (15) (B14).

ATTENTION : filet à gauche

Montage de la sangle

La faux à moteur thermique doit être utilisée avec une sangle (17).

Équilibrez tout d'abord la faux à moteur thermique lorsque l'appareil est coupé.

- Installez la sangle d'épaule (17).

- Réglez la longueur de la sangle de façon à ce que le mousqueton se trouve à environ une largeur de main au-dessous de la hanche droite (B15).

- Accrochez la faux à moteur thermique au mousqueton.

- Attendez la stabilisation de la faux à moteur thermique. En position de travail normale, l'outil

de coupe peut tout juste toucher le sol (B16).

- En cas de besoin, vous pouvez desserrer la fixation avec une clé à six pans creux et la déplacer vers l'avant ou vers l'arrière. Il est important que la faux à moteur à essence soit toujours bien équilibrée (B17).

Pour travailler, accrochez la faux à moteur thermique au mousqueton de la sangle lorsque le moteur tourne.

Carburant

Utilisez uniquement un mélange d'essence normale sans plomb et d'une huile spéciale pour moteurs à 2 temps dans une proportion de mélange de 40:1 .

Attention : n'utilisez pas d'autre proportion de mélange ni de l'essence pure.

N'utilisez pas de carburant qui a plus de 2 ou 3 mois.

En cas de pauses prolongées, vider le réservoir et le remplir à nouveau avant le début du travail.

Mélanger l'essence

4,0 litres d'essence et 100 ml d'huile spéciale 2 temps (station service)

- Sur les 100 ml d'huile 2 temps dans un réservoir à carburant, versez les 4,0 litres d'essence et mélangez les deux en secouant fortement.

- Versez le carburant dans le réservoir et fermez-le.

Mettre de l'essence

- Dévissez le couvercle du réservoir lentement afin que la pression et les vapeurs d'essence puissent s'échapper sans danger.

- Versez le mélange 2 temps 40:1 avec un entonnoir et refermez le couvercle correctement.

Démarrage à moteur froid

- Posez la faux à moteur thermique de façon sûre sur le sol. Le réservoir à essence et la protection de coupe forment le support. Veillez à ce que l'outil de coupe ne touche ni le sol ni d'autres objets quelconques (B18).
- Poussez l'interrupteur marche/arrêt (4) sur la poignée de commande vers le bas (B19).
- Poussez le levier du starter (B20) vers le haut: ↗
- Appuyez sur l'injecteur jusqu'à ce que le tuyau d'essence transparent se remplisse d'essence (B21).
- De la main droite, prenez la poignée de commande (3). Vous déverrouillez ainsi le dispositif de blocage (5) de l'accélérateur (B22).
- Appuyez fermement sur l'accélérateur (6).
- Appuyez simultanément sur le bouton de demitours (18) (B23).
- Maintenez le bouton de demi-tours (18) enfoncé et lâchez l'accélérateur (6) et le dispositif de blocage (5). Le bouton de demi-tours (18) reste ainsi automatiquement enfoncé.
- Adoptez une position sûre.
- Appuyez la faux à moteur thermique de la main gauche sur le sol (B24).

ATTENTION : Ne jamais poser le pied sur la tige ou s'agenouiller dessus.

- Tirez le fil du démarreur 3 à 5 fois entièrement (B24).
- Poussez le levier du starter (B25) vers le bas: ↓
- Tirez plusieurs fois rapidement et fortement sur le fil du démarreur jusqu'à la fin du fil jusqu'à ce que le moteur démarre.



ATTENTION – DANGER : Le moteur démarre à demi accélération et avec le dispositif de coupe en rotation. Laissez tourner le moteur pendant quelques secondes.

En appuyant brièvement sur l'accélérateur, le bouton de demi-tours se coupe automatiquement. Le moteur se remet au ralenti. L'outil de coupe s'arrête après quelques secondes.

Couper le moteur

- Laissez le moteur retourner au ralenti sans accélération.
- Poussez le commutateur marche/arrêt (4) sur la poignée de commande sur « STOP » (B26).



ATTENTION. Le dispositif de coupe continue à tourner pendant quelques secondes après la coupure du moteur. Tenez les deux poignées jusqu'à l'arrêt complet du dispositif de coupe.

Démarrage à moteur chaud

- Correspond à l'opération moteur froid. Le levier du starter reste toujours en position inférieure (B25) ↓.

Travailler avec la faux à moteur thermique

- Si vous travaillez pour la première fois avec une faux à moteur thermique, familiarisez-vous d'abord avec l'utilisation et la commande de la faux à moteur thermique sans faire tourner le moteur.
- La faux à moteur thermique est conçue de façon à être utilisée exclusivement du côté droit du corps par l'utilisateur.
- Tenez toujours la faux à moteur thermique des deux mains par les poignées.
- De la main droite, tenez la poignée de commande et, de la main gauche, la poignée des tubes de poignée.

F

- Tenez toujours compte du fait que l'outil de coupe continue à tourner pendant peu de temps lorsque le levier d'accélérateur a été lâché.

- Veillez toujours à un ralenti impeccable du moteur de façon à ce que l'outil de coupe ne tourne plus lorsque le levier d'accélérateur n'est pas enfoncé.

- Travaillez toujours à une vitesse de rotation élevée, c'est ainsi que vous obtenez le meilleur résultat de coupe.

- Si, en travaillant, vous heurtez une pierre ou un arbre, coupez le moteur et inspectez la faux à moteur thermique quant à des dommages.

Attention : Lors de travaux sur un terrain accidenté et dans des pentes, il faut toujours se trouver en dessous de la tête de la faux.

Portez toujours des lunettes de protection et une protection auditive et, pour les travaux d'élagage, un casque de protection.

Tondre avec la tête de fil

- Utilisez la cassette de fil synthétique pour obtenir une coupe propre y compris sur des bordures inégales, autour de pieux et d'arbres.

- Approchez le fil de coupe avec précaution d'un obstacle et coupez avec la pointe du fil autour de l'obstacle. Au contact du fil de coupe avec des pierres, arbres et murs, le fil s'effloche précocement ou se casse.

- Balancez la faux à moteur thermique comme une faux normale horizontalement de la droite vers la gauche et retour. Vous déterminez la hauteur de coupe en fonction de la hauteur à laquelle vous utilisez l'appareil.

- Ne remplacez jamais le fil synthétique par un fil en métal. RISQUE DE BLESSURES

Couper avec le couteau à broussailles

- Utilisez le couteau à broussailles pour élaguer des broussailles, des plants sauvages, des plantations de jeunes arbres (2 cm de diamètre du tronc au maximum) et de l'herbe haute.

- Lors de l'utilisation d'outils de coupe en métal, il existe toujours un risque de recul lorsque l'outil heurte un obstacle dur (pierres, arbres, branches etc.). Dans ce cas, l'appareil est rejeté en arrière dans le sens contraire à celui de la rotation.

- En présence de plants sauvages et de broussailles, « plongez » le couteau à broussailles par le haut. Les matières à couper sont de ce fait broyées.

ATTENTION : Appliquez cette technique de travail avec une précaution particulière, car plus la distance entre l'outil de coupe et le sol est grande, plus le risque est grand que des matières coupées et des particules soient éjectées vers le côté.

- Pour élaguer des plantations de jeunes arbres et pour couper de l'herbe, utilisez l'appareil comme une faux près du sol.

ATTENTION : Une mauvaise utilisation et un emploi abusif peuvent endommager le couteau à broussailles et provoquer de graves blessures par des pièces éjectées.

- Afin de réduire le risque d'accidents avec le couteau à broussailles, tenez compte des points suivants :

- Ne jamais couper des buissons ou des bois de plus de 2 cm de diamètre.

- Évitez le contact avec des corps métalliques, des pierres etc.

- Contrôlez régulièrement le couteau à broussailles quant à des dommages. Ne pas continuer à utiliser un couteau à broussailles endommagé.

- Si le couteau à broussailles est nettement émoussé, il doit être affûté selon les instructions. En cas de net excentrage, le couteau à broussailles doit être remplacé.

Dispositif automatique du fil de coupe
La faux à moteur thermique est livrée avec une cassette de fil pleine.

Le fil s'use pendant le travail. Pour faire sortir du fil, appuyez la tête de la cassette de fil fortement sur le sol, moteur tournant.

Le fil est automatiquement libéré par la force centrifuge. Le fil de coupe est coupé à la longueur correcte par la lame située sur la protection de fil.

Remplacer le fil de coupe

Soyez visant à renouveler la ligne de coupe (22)
Faire tourner le moteur à plein régime et appuyez sur la bobine de fil sur le terrain. The String sera automatiquement renouvelée. Le diamètre au niveau de la Garde coupé la ligne à la admissible Longueur.

Remplacement canette ligne / de coupe

1 Démontez le Fadenspule. Ziehen le couvercle de la canette en appuyant fermement les pattes de retenue de la canette de (B27-1 et B27-2).

2, plaque de bobine (K) du corps de bobine de fil se référer (B28).

Fusionner 3, nouvelle ligne de coupe dans le milieu et le crochet de boucle qui en résulte dans l'évidement de la base de bobine. (B29).

4, la tension du fil d'enroulement dans le sens antihoraire. Le diviseur de bobine sépare les deux moitiés du fil de coupe. (B30).

5, la dernière 15 cm des deux extrémités du fil dans le support de fil face Crochet de base Reel. (B31).

6, les deux extrémités de fil à travers les anneaux en D dans le cas de la canette plomb (B28).

7, poussez disques de bobine dans le cas de la canette.

8, à court et à forte traction deux extrémités de fil pour le libérer de porteurs de fil.

9, ajouter le cas des moitiés de retour ensemble.

10, excédent de fil ramené à environ 13 cm. Ceci réduit la charge sur le moteur pendant le démarrage et d'échauffement.

Mont 11, canette à nouveau.

Important:

Évitez le fonctionnement du contact avec des bordures, des pierres et d'autres objets durs, puisque le fil peut se casser autrement et les lignes garniture arrêts automatiques de travail. Dans ce cas, passez acc. Pts. 1-11 «Remplacement de la ligne de cassette de filament / découpe».

Maintenance et entretien

Lubrification du mécanisme d'entraînement

Contrôlez le remplissage de graisse de lubrification env. toutes les 25 heures de service.

- Dévissez la vis de fermeture avec une clé à six pans creux (B32).

- Si vous ne voyez plus de graisse sur la vis, mettez env. 5 g de graisse de lubrification (magasins de bricolage) dans le carter du mécanisme d'entraînement et refermez l'ouverture de remplissage.

Tenez compte du fait que le carter du mécanisme d'entraînement ne doit jamais être entièrement rempli de graisse de lubrification.

Filtre à air

Après des travaux prolongés, vous devez nettoyer le filtre à air. Les poussières et le pollen bouchent les pores du filtre en mousse.

- Retirez le capot (B33) et lavez le filtre (B34) dans de l'eau légèrement savonneuse. Attention : Ne pas utiliser d'essence ou de solvants.

- Séchez le filtre avant de l'installer à nouveau. Afin de ne pas réduire la longévité du moteur, un filtre à air endommagé doit être remplacé immédiatement.

Réglage de la bougie d'allumage

Une fois par an au moins ou dans le cas d'un mauvais démarrage régulier, vérifiez l'écart de

l'électrode de la bougie d'allumage. L'écart correct entre l'électrode et le contact d'allumage est de 0,25"/0,63 mm (B35).

F

- Attendez que le moteur se soit entièrement refroidi.

- Desserrer la vis et retirer le couvercle en plastique (B36-1).

- Retirez le capuchon de la bougie d'allumage (B36-2) de celle-ci et sortez la bougie d'allumage au moyen de la clé à bougies jointe (B37).

- En cas d'usure importante de l'électrode ou en cas d'encrassement très important, il faut remplacer la bougie d'allumage par une neuve équivalente.

Un fort encrassement de la bougie d'allumage peut être provoqué par : une trop grande proportion d'huile dans le mélange d'essence, une mauvaise qualité d'huile, un mélange d'essence trop vieux ou un filtre à air bouché.

- Vissez la bougie d'allumage à la main entièrement dans le filet. (Éviter de la coincer)

- Serrez la bougie d'allumage avec la clé à bougies jointe.

- En cas d'utilisation d'une clé dynamométrique, le couple de serrage est de 12-15 Nm.

- Installez correctement la fiche de la bougie d'allumage sur celle-ci.

Couteau du fil de coupe

- Si le fil de coupe n'est plus coupé proprement lors du rallongement, limez l'arête de coupe (B38) avec une lime. Limez dans un sens avec l'angle prescrit.

Nettoyage

Pour le nettoyage des pièces en plastique, utilisez un chiffon humide. Ne pas utiliser de détergents, de solvants ou d'objets pointus.

Pour des raisons techniques, de l'herbe mouillée et des mauvaises herbes s'enroulent pendant le travail autour de l'axe d'entraînement sous la protection de coupe. Enlevez-les car, dans le cas contraire, le moteur est surchauffé en raison du frottement trop important.

Contrôles réguliers

Tenez compte du fait que les indications suivantes se réfèrent à une utilisation normale. Dans certaines circonstances (travail quotidien prolongé, beaucoup de poussières etc.), les intervalles sont réduits en conséquence.

Avant le début du travail et après le remplissage du réservoir : vérifier la fixation des outils de coupe, contrôle visuel général, affûter le couteau à broussailles (également en cas de besoin).

Contrôle hebdomadaire : lubrification du mécanisme d'entraînement (également en cas de besoin).

En cas de besoin : resserrer les vis de fixation et les écrous accessibles.

Vous évitez une usure précoce et des dommages à l'appareil si vous respectez les instructions de ce mode d'emploi.

L'utilisateur est lui-même responsable de tous les dommages provoqués par le non-respect des recommandations figurant dans ce mode d'emploi.

Ceci vaut également pour des modifications non autorisées apportées à l'appareil, l'utilisation de pièces de rechange, de pièces ajoutées, d'outils de travail non autorisés, d'utilisation non conforme, de dommages consécutifs à l'utilisation de pièces défectueuses.

Pièces d'usure

Même avec une utilisation conforme, certaines pièces sont soumises à une usure normale.

Celles-ci doivent être remplacées régulièrement selon la nature et la durée d'utilisation. Ces pièces comprennent entre autres l'outil de coupe et le disque de support.

Entreposage / hivernage

Afin que la faux à moteur thermique fonctionne à nouveau sans problème après une période prolongée, respectez ce qui suit :

- Videz le réservoir à essence.

- Démarrez le moteur et laissez-le tourner jusqu'à l'arrêt.

- Lorsque le moteur est refroidi, retirez la bougie d'allumage.

- Introduisez une petite cuiller de mélange 2 temps dans l'ouverture de la bougie d'allumage et tirez plusieurs fois lentement la ficelle du démarreur. Cela souffle les dépôts de suie et graisse les pistons et les cylindres.

- Vérifiez la bougie d'allumage et remplacez-la si l'électrode est trop usée.

- Conservez la faux à moteur thermique dans un endroit sec sans risque d'incendies.

Redémarrage après des poses prolongées

1 Retirez la bougie d'allumage.

2 Tirez plusieurs fois rapidement sur la ficelle du démarreur afin d'éliminer l'huile et les dépôts du compartiment moteur.

3 Vérifiez la bougie d'allumage, remplacez-la si nécessaire et revissez-la.

- Remplissez le réservoir d'essence avec le mélange 2 temps 40:1.

- Démarrez comme décrit au point « Démarrer à moteur froid ».

Caractéristiques techniques

Moteur 2 temps refroidi par air	
Cylindrée :	51,2 cm ³
Puissance :	1,4 kW
Volume du réservoir :	850 ml
Largeur de coupe tête de fil :	430 mm
Épaisseur du fil :	Ø 2,4 mm
Largeur de coupe lame :	255 mm
Vitesse de rotation max. moteur :	9000 1/min
Vitesse de rotation max. dispositif de coupe :	10500 1/min
Bougie d'allumage :	L8RTC(Torch)
Poids :	7,8 kg, vide
Niveau de pression acoustique L _{PA} :	
	96.2dB(A),K=3dB(A) (coupe-herber)
	97.2dB(A),K=3dB(A) (brosse cutter)
Puissance acoustique garantie L _{WA} :	
	109.2dB(A),K=3dB(A) (coupe-herber)
	108.4dB(A),K=3dB(A) (brosse cutter)
Vibration :	
	8,484 m/s ² , K=1,5 m/s ² (coupe-herbe)
	6,243 m/s ² , K=1,5 m/s ² (brosse cutter)

F

NOMENCLATURE (A1)(B1)

F

1. Vis de serrage pour support de main courante
2. Barre
3. Poignée de commande
4. Interrupteur marche / arrêt
5. Dispositif de blocage
6. Levier d'accélération
7. Suspension sangle
8. Protection d'échappement
9. Moteur
10. Réservoir à essence
11. Couteau à broussailles
12. Protection de coupe
13. Tête de fil
14. Clé à six pans creux
15. Clé à bougies d'allumage
16. Réservoir de mélange d'essence
17. Sangle
18. Bouton à demi-tours
19. Vis de blocage
20. Goupille de blocage
21. Couper le fil
22. Base du support
23. Support rotatif
24. Plus grand ressort
25. Plus petit ressort
26. Couvercle du support

Anomalie	Cause possible	Elimination de l'erreur
Le moteur s'arrête.	Mauvais réglage du carburateur	Faire régler le carburateur par un spécialiste.
L'appareil démarre mais le moteur a peu de puissance	Mauvais réglage du levier du starter Filtre à air encrassé Mauvais réglage du carburateur	Mettez-le sur. ↓ Retirer filtre re en mousse, le nettoyer avec de l'eau savonneuse et le réinstaller lorsqu'il est sec. Faire régler le carburateur par un spécialiste.
L'appareil ne démarre pas ou il démarre mais ne tourne pas.	Opération erronée lors du démarrage Mauvais réglage du carburateur Bougie d'allumage encrassée Filtre à essence bouché	Suivez les instructions « Démarrage à moteur froid 1-8 ». Faire régler le carburateur par un spécialiste. Nettoyer la bougie d'allumage, corriger l'écart de l'électrode ou remplacer la bougie d'allumage. Remplacer filtre
Le moteur tourne de façon irrégulière.	Mauvais écart de l'électrode de la bougie d'allumage Bougie d'allumage usée	Nettoyer la bougie d'allumage, corriger l'écart de l'électrode, l'idéal est de 0,25"/0,63mm, ou remplacer la bougie d'allumage.
Fort développement de fumée.	Mauvais réglage du carburateur Mauvais mélange de carburant	aire régler le carburateur par un spécialiste. Vider le réservoir, le remplir avec le mélange correct : mélange 2 temps 40:1

Σημειώσεις για ασφάλεια και προειδοποιήσεις



Διαβάστε τις οδηγίες χρήσης πριν την λειτουργία.



Δώστε προσοχή σε αντικείμενα που μπορεί να εκσφενδονιστούν.



Σιγουρευτείτε ότι υπάρχει απόσταση τουλάχιστον 15 μέτρων ανάμεσα στο μηχάνημα και σε άλλα άτομα.



Να φοράτε γυαλιά ασφαλείας, κράνος και γυαλιά προστασίας!



Να φοράτε υποδήματα ασφαλείας!



Να φοράτε γάντια ασφαλείας για σκληρές εργασίες!



Να φοράτε ρούχα κατάλληλα για σκληρές εργασίες!



Τα καυσαέρια που εκπέμπει το μηχάνημα είναι επικίνδυνα και μπορεί να προκαλέσουν ασφυξία.



Κίνδυνος φωτιάς!
Οι αναθυμιάσεις των καυσίμων είναι πολύ εύφλεκτης!



Χρησιμοποιήστε πάντα μάσκα σκόνης όταν η εργασία σας παράγει πολύ σκόνη.



Η εκπομπή θορύβου συμμορφώνεται με την οδηγία 2000/14/EC.



Σημαντικό. Καυτά εξαρτήματα. Κρατήστε απόσταση.



Μην χρησιμοποιείτε δίσκους με το μηχάνημα αυτό.



Κατά την κρύα εκκίνηση τοποθετήστε τον μοχλό του τσοκ στην κλειστή θέση. Κατά την ζεστή εκκίνηση τοποθετήστε τον μοχλό του τσοκ στην ανοιχτή θέση.

Αγαπητέ πελάτη, συγχαρητήρια για την αγορά του θαμνοκοπτικού σας.



Διαβάστε προσεκτικά αυτό το εγχειρίδιο πριν να λειτουργήσετε το μηχάνημα. Η ακατάλληλη χρήση μπορεί να προκαλέσει ζημιές και τραυματισμούς. Άτομα που δεν έχουν διαβάσει τις οδηγίες αυτές δεν θα πρέπει να χρησιμοποιούν το εργαλείο αυτό. Κρατήστε τις οδηγίες σε ασφαλές μέρος. Παιδιά και έφηβοι κάτω των 16 ετών δεν επιτρέπεται να χρησιμοποιήσουν το εργαλείο αυτό. Άτομα άνω των 16 θα πρέπει να το λειτουργούν μόνο κάτω από επίβλεψη κάποιου ενήλικα.

Κατάλληλη χρήση

Ανάλογα με το εξάρτημα κοπής, το θαμνοκοπτικό είναι σχεδιασμένο να κόβει χόρτα, γκαζόν, θάμνους και μικρά δέντρα σε ιδιωτικούς χώρους.

Το εργαλείο αυτό δεν θα πρέπει να χρησιμοποιηθεί για άλλο σκοπό. Ο κατασκευαστής δεν είναι υπεύθυνος για όποια κακή λειτουργία ή όποιες αλλαγές γίνουν στο μηχάνημα.

Παρατηρήστε τις σημειώσεις για ασφάλεια, την συναρμολόγηση και τις οδηγίες λειτουργίας. Προσέξτε επίσης και τις οδηγίες για την αποφυγή ατυχημάτων.

Σημειώσεις ασφαλείας

Σιγουρευτείτε ότι δεν υπάρχουν άτομα ή ζώα κοντά στο χώρο εργασίας (ελάχιστη απόσταση 15 μέτρα). Το γρασίδι που κόβεται και πετάγεται προς τα πάνω μπορεί να περιέχει και ξένα αντικείμενα όπως για παράδειγμα πέτρες. Είσαστε υπεύθυνοι για την ασφάλεια στο χώρο εργασίας και για τις υλικές ζημιές ή τραυματισμούς που μπορεί να προκύψουν.

Δεν επιτρέπεται να χρησιμοποιείτε ή να ξεκινάτε το μηχάνημα κοντά σε άτομα ή ζώα.

Μην χρησιμοποιείτε το εργαλείο όταν είστε κουρασμένοι ή αφηρημένοι ή εάν η αντίδρασή σας είναι μειωμένη λόγω κατανάλωσης αλκοόλ ή φαρμάκων.

Η παραμέληση μπορεί να προκαλέσει σοβαρούς τραυματισμούς.

Χρησιμοποιήστε γυαλιά προστασίας.

Χρησιμοποιήστε ωτοασπίδες.

Χρησιμοποιήστε γάντια προστασίας.

Χρησιμοποιήστε υποδήματα προστασίας με μέταλλο στα δάχτυλα. Μην λειτουργείτε το μηχάνημα φορώντας σανδάλια ή ξυπόλητοι.

Χρησιμοποιήστε πάντα κράνος προστασίας όταν δουλεύετε σε δάσος.

Μην φοράτε φαρδιά ρούχα ή κοσμήματα.

Να φοράτε μακριά παντελόνια για να προστατεύσετε τα πόδια σας.

Να φοράτε κράνος ή να δένετε τα μακριά μαλλιά.

Τα φαρδιά ρούχα ή κοσμήματα ή τα μακριά μαλλιά μπορεί να πιαστούν στα κινούμενα μέρη του μηχανήματος.

Κρατήστε τον εαυτό σας και τα ρούχα σας μακριά από τα κινούμενα μέρη του μηχανήματος όταν το ξεκινάτε ή το λειτουργείτε.

Σιγουρευτείτε ότι έχετε σταθερό πάτημα και ότι στέκεστε

σε σταθερό σημείο. Μην κινήστε προς τα πίσω γιατί υπάρχει κίνδυνος να πέσετε.

Όταν το μηχάνημα έχει λειτουργήσει για πολύ ώρα, μπορεί να προκαλέσει πρόβλημα στο κυκλοφοριακό εξαιτίας των δονήσεων (νόσος Raynaud). Σε αυτή την περίπτωση, δεν μπορούμε να προσδιορίσουμε το χρόνο λειτουργίας διότι μπορεί να διαφέρει από άτομο σε άτομο. Οι παρακάτω παράγοντες έχουν επηρεάσει αυτό το φαινόμενο: Πρόβλημα κυκλοφοριακού στα χέρια του χρήστη, χαμηλή θερμοκρασία, πολλές ώρες λειτουργίας. Για το λόγο αυτό σας συστήνουμε να φοράτε ζεστά γάντια ασφαλείας και να κάνετε πολλά διαλείμματα.

Τα καυσαέρια που βγάζει ο κινητήρας είναι επικίνδυνα και μπορεί να προκαλέσουν ασφυξία. Δεν επιτρέπεται να χρησιμοποιείτε το θαμνοκοπτικό σε εξωτερικό χώρο ή σε χώρους με κακό εξαερισμό.

Γεμίστε το ρεζερβουάρ μόνο σε εξωτερικό χώρο ή σε χώρους με καλό εξαερισμό.

Η βενζίνη και οι αναθυμιάσεις της είναι πολύ εύφλεκτα. Κρατήστε μακριά εύφλεκτα υλικά ή πηγές ανάφλεξης, όπως σόμπες ή φούρνους.

Μην καπνίζετε όταν γεμίζετε το ρεζερβουάρ ή λειτουργείτε το μηχάνημα.

Σκουπίστε αμέσως εάν χυθεί βενζίνη.

Ξεκινήστε το μηχάνημα μόνο όταν βρίσκεστε μακριά από το χώρο που γεμίσατε το ρεζερβουάρ.

Σιγουρευτείτε ότι η τάπα του ρεζερβουάρ είναι τοποθετημένη σωστά. Ελέγξτε για πιθανές διαρροές.

Όταν ο κινητήρας λειτουργεί ή είναι ζεστός δεν πρέπει να ανοίγετε την τάπα του ρεζερβουάρ ή να βάλετε βενζίνη.

Ανοίξτε την τάπα του ρεζερβουάρ σιγά σιγά για να μπορούν να φύγουν οι αναθυμιάσεις της βενζίνης.

Σιγουρευτείτε ότι οι χειρολαβές είναι καθαρές, στεγνές και χωρίς λάδια ή βενζίνες.

Μην χρησιμοποιείτε το μηχάνημα χωρίς εξάτμιση ή όταν το κάλυμμα της εξάτμισης δεν είναι τοποθετημένο σωστά.

Μην ακουμπάτε την εξάτμιση γιατί υπάρχει κίνδυνος εγκαύματος.

Χρησιμοποιήστε μόνο τα καύσιμα που προτείνονται στο εγχειρίδιο αυτό.

Φυλάξτε την βενζίνη μόνο σε δοχεία που είναι σχεδιασμένα για το λόγο αυτό και αποθηκεύστε το δοχείο σε ασφαλές μέρος.

Όταν κόβετε σε πλαγιά να στέκεστε πάντα κάτω από το εργαλείο.

Σιγουρευτείτε ότι δεν συσσωρεύονται υπολείμματα στην κεφαλή μεσινέζας, στο προφυλακτήρα ή στο μοτέρ.

Σταματήστε πάντα το μηχάνημα πριν να το αφήσετε κάτω.

Μην χρησιμοποιήσετε σύρμα ή κάτι παρόμοιο στην κεφαλή μεσινέζας.

Χρησιμοποιήστε το μηχάνημα μόνο κατά την διάρκεια της ημέρας ή σε περιοχές όπου υπάρχει επαρκής φωτισμός.

Ελέγξτε το μηχάνημα πριν από κάθε χρήση.

Ελέγξτε ότι όλες οι βίδες και οι συνδέσεις είναι καλά σφιγμένες.

Να κρατάτε το μηχάνημα πάντα και με τα δυο χέρια.

Ελέγξτε το μηχάνημα, τα εξαρτήματα και τα καλύμματα για φθορές και ζημιές πριν από κάθε χρήση. Μην απενεργοποιήσετε ποτέ τα εξαρτήματα προστασίας. Μην χρησιμοποιήσετε το μηχάνημα εάν υπάρχουν σημάδια φθοράς ή ζημιάς σε κάποιο μέρος του εργαλείου. Κρατήστε το μηχάνημα καθαρό και σε πλήρη λειτουργία για να εξασφαλίσετε καλύτερη και πιο ασφαλή εργασία.

Κρατήστε πάντα απόσταση ασφαλείας από το μηχάνημα όταν το χρησιμοποιείτε.

Σταματήστε το μηχάνημα όταν η εργασία σας διακοπεί ή όταν θέλετε να αλλάξετε περιοχή εργασίας. Περιμένετε μέχρι να σταματήσει τελείως το εξάρτημα κοπής και σβήστε το μηχάνημα.

Μην αφήνετε ποτέ το μηχάνημα χωρίς επίβλεψη στο

χώρο εργασίας. Αποθηκεύστε το σε ασφαλές σημείο όταν διακόψετε την εργασία σας.

Τα άτομα που χρησιμοποιούν το εργαλείο δεν θα πρέπει να είναι αφηρημένα διότι μπορεί να χάσουν τον έλεγχο του μηχανήματος.

Μην χρησιμοποιείτε το μηχάνημα στην βροχή ή σε συνθήκες με πολύ υγρασία και μην το αποθηκεύσετε σε εξωτερικό χώρο.

Εάν βραχεί το μηχάνημα περιμένετε μέχρι να στεγνώσει τελείως πριν το χρησιμοποιήσετε ξανά.

Πριν να ξεκινήσετε την εργασία σας, σας συστήνουμε να ελέγξετε την περιοχή εργασίας για ξένα αντικείμενα και αφαιρέστε τα. Εάν συναντήσετε και πάλι κάποιο ξένο αντικείμενο σβήστε το μηχάνημα και αφαιρέστε το από την περιοχή εργασίας.

Εάν το μηχάνημα μπλοκάρει από ξένο αντικείμενο (πέτρες, πλαστικό κ.α.), σβήστε το και αφαιρέστε το αντικείμενο με κάποιο εργαλείο. Μην χρησιμοποιήσετε ποτέ μόνο τα χέρια σας για να αφαιρέσετε το αντικείμενο διότι υπάρχει κίνδυνος τραυματισμού.

Κρατήστε το μηχάνημα όταν λειτουργεί μακριά από τον εαυτό σας.

Προσοχή! Το μηχάνημα συνεχίζει να περιστρέφεται για λίγη ώρα αφού το σβήσετε!

Μην υπερφορτώνετε το μοτέρ και μην χρησιμοποιείτε αυτό το μηχάνημα για άλλο σκοπό από αυτόν για τον οποίο σχεδιάστηκε.

Σιγουρευτείτε ότι οι εγκοπές εξαερισμού είναι πάντα ανοιχτές και καθαρές.

Αποθηκεύστε το εργαλείο μακριά από παιδιά.

Αποθηκεύστε το σε στεγνό και ασφαλές σημείο.

Ελέγξτε το μοτέρ για ζημιές εάν χτυπήσει κάπου ή για άλλες φθορές.

Κρατήστε τα ρούχα και τον εαυτό σας μακριά από την κεφαλή μεσινέζας όταν ξεκινάτε το εργαλείο ή όταν λειτουργεί.

Να έχετε πάντα στο νου σας όταν κόβετε κοντά στην άκρη του γκαζόν ή κοντά σε χαλίκια ή παρόμοια σημεία

ότι μπορεί να πεταχτούν πέτρες και χύμα.

Μην περάσετε ποτέ κάποιο δρόμο ή μονοπάτι όταν το μηχάνημα λειτουργεί.

G R Μην κόβετε κοντά σε σκληρά αντικείμενα όπως πέτρες κλπ.. Έτσι αποφεύγετε τους τραυματισμούς και την φθορά του εργαλείου.

Μην χρησιμοποιείτε ποτέ το μηχάνημα χωρίς να είναι τοποθετημένοι οι προφυλακτήρες.

Μην χρησιμοποιήσετε τα χέρια σας για να σταματήσετε το εξάρτημα κοπής.

Πάντα να περιμένετε να σταματήσει μόνο του.

Κρατήστε και οδηγήστε την κεφαλή μεσινέζας όσο κοντά γίνεται στο έδαφος.

Να κόβετε μόνο χόρτα και γρασίδι που βρίσκεται στο έδαφος και όχι χόρτα που μπορεί να έχουν φυτρώσει σε τοίχους ή σε πέτρες.

Να σιγουρευτείτε ότι δεν έχουν συσσωρευτεί υπολείμματα στην κεφαλή μεσινέζας, στον προφυλακτήρα ή στο μοτέρ.

Χρησιμοποιήστε το μηχάνημα μόνο όταν είναι τοποθετημένος ο προφυλακτήρας.

Σταματήστε πάντα το εργαλείο πριν να το ακουμπήσετε κάτω.

Προσοχή: Το εξάρτημα κοπής συνεχίζει να περιστρέφεται για μερικά δευτερόλεπτα αφού έχετε σβήσει το μοτέρ.

Αφήστε το μηχάνημα κάτω μόνο αφού έχει σταματήσει τελείως το εξάρτημα κοπής και αφού έχει σβήσει το μοτέρ.

Εάν το εξάρτημα κοπής είναι φθαρμένο θα πρέπει να αλλάξετε αμέσως.

Να χρησιμοποιείτε μόνο αυθεντικά ανταλλακτικά. Μην χρησιμοποιείτε μεταλλική μεσινέζα αντί για νάιλον.

Το μηχάνημα και τα εξαρτήματά του θα πρέπει να

ελέγχονται περιοδικά από εξειδικευμένο τεχνικό προσωπικό. Οι ζημιές θα πρέπει να επισκευάζονται από εξουσιοδοτημένο σέρβις.

Χρησιμοποιείτε μόνο τα αξεσουάρ που συστήνει ο κατασκευαστής.

Το μηχάνημα θα πρέπει να επισκευάζεται μόνο από εξουσιοδοτημένο σέρβις και μόνο με την χρήση αυθεντικών ανταλλακτικών. Αυτό θα εξασφαλίσει ότι το εργαλείο θα λειτουργεί με ασφάλεια στο μέλλον.

Συναρμολόγηση

Ελέγξτε ότι όλα τα εξαρτήματα περιλαμβάνονται και αν έπαθα κάποια ζημία στην μεταφορά πριν να αρχίσετε την συναρμολόγηση.

1. Τοποθετήστε το μηχάνημα οριζόντια με το μοτέρ να κοιτάζει προς το έδαφος.
2. Ξεβιδώστε την βίδα σύσφιξης (19)(A1), τοποθετήστε το πάνω και κάτω μέρος του μπαστουνιού στο σύνδεσμο που σας παρέχεται (A2).
3. Γυρίστε ελαφρά το κάτω μέρος του μπαστουνιού για να ασφαλίσει ο πύρος (20) στην τρύπα που βρίσκεται στον σύνδεσμο. Μετά σφίξτε ξανά την βίδα σύσφιξης.
4. Για αποσυναρμολόγηση, ξεβιδώστε την βίδα σύσφιξης, πιέστε τον πύρο προς τα μέσα και τραβήξτε το μπαστούνι (A4).

Χειρολαβές

Ο σχεδιασμός του θαμνοκοπτικού επιτρέπει την λειτουργία του μηχανήματος από την δεξιά μεριά του χρήστη.

- Τοποθετήστε το μεγαλύτερο ελατήριο (24) στην κάτω πλευρά του συνδέσμου (23). (B3-2)
- Τοποθετήστε το μικρότερο ελατήριο (25) στην πάνω πλευρά του συνδέσμου (23). (B3-3)
- Τοποθετήστε την λαβή (2) στον σύνδεσμο (23). (B3-4)
- Συνδέστε και κλείστε το κάλυμμα του συνδέσμου (26) χρησιμοποιώντας τους γάντζους στο κάλυμμα του συνδέσμου.(B3-5)
- Τοποθετήστε τις βίδες της λαβής (1) μέσα από το κάλυμμα του συνδέσμου(26) και τον σύνδεσμο (23) (B3-6)
- Τοποθετήστε τον σύνδεσμο πάνω στην βάση (22) και σφίξτε ελαφρώς την βίδα στην λαβή (1). (B3-7&B3-8)
- Ρυθμίστε την λαβή στην γωνία λειτουργίας και σφίξτε καλά την βίδα της λαβής. (B3-9)

Όταν αποθηκεύετε το εργαλείο μπορείτε να χαλαρώσετε ελάχιστα την βίδα και να περιστρέψετε την λαβή παράλληλα με το μπαστούνι για εξοικονόμηση χώρου. (B4-1&B4-2)

Συναρμολόγηση της κεφαλής μεσινέζας

Για την αποφυγή ανεπιθύμητης εκκίνησης, βγάλτε το μπουζί.

Κίνδυνος τραυματισμού



Προσοχή! Φοράτε πάντα γάντια προστασίας όταν εργάζεστε με το εξάτημα κοπής.

Το θαμνοκοπτικό παραδίδεται με δίσκο κοπής (11) και ανάλογο προφυλακτήρα (12).

Για να χρησιμοποιήσετε το μηχανήμα για την κοπή χόρτων θα πρέπει να συνδέσετε τον ανάλογο προφυλακτήρα (12) και την κεφαλή μεσινέζας. (13)

- Χρησιμοποιήστε ένα κατσαβίδι ή το κλειδί allen που σας παρέχετε (14) για να ρυθμίσετε την ντίζα του μηχανήματος στην κατάλληλη θέση (B6) με το παξιμάδι.

- Χρησιμοποιήστε το εξάγωνο κλειδί που σας παρέχετε (15) για να ξεβιδώσετε την βίδα για την τοποθέτηση του δίσκου κοπής (B7) γυρνώντας την προς τα αριστερά.

- Αφαιρέστε την βίδα, την ροδέλα και την ασφάλεια του δίσκου κοπής (B8). Κρατήστε τα ανταλλακτικά αυτά σε ασφαλές μέρος.

- Τοποθετήστε την ροδέλα με το πολύσφηνο καρέ (B9).

- Χρησιμοποιήστε ένα κατσαβίδι, ή το κλειδί allen που σας παρέχετε για να ρυθμίσετε την ντίζα του θαμνοκοπτικού στην κατάλληλη θέση με το παξιμάδι (B10).

- Τοποθετήστε την κεφαλή μεσινέζας (13) πάνω στην ντίζα βιδώνοντας προς τα αριστερά (B10).

Προσοχή: Αριστερόστροφο σπείρωμα βίδας

Συναρμολόγηση δίσκου κοπής

Για την αποφυγή ανεπιθύμητης εκκίνησης, βγάλτε το μπουζί.

Κίνδυνος τραυματισμού



Προσοχή! Φοράτε πάντα γάντια προστασίας όταν εργάζεστε με το εξάτημα κοπής.

Ο δίσκος κοπής θα πρέπει να ακονίζεται κατά καιρούς σύμφωνα με τις οδηγίες. Μη καλός ακονισμένος δίσκος μπορεί να προκαλέσει υπερφόρτωση του μηχανήματος.

Κίνδυνος ρωγμών!

Κομμάτια που μπορεί να σπασούν και να εκσφενδονιστούν μπορεί να προκαλέσουν σοβαρούς τραυματισμούς.

Για να χρησιμοποιήσετε το θαμνοκοπτικό για μικρά δέντρα και θάμνους θα πρέπει να εφαρμόσετε πάνω τον δίσκο κοπής και τον κατάλληλο προφυλακτήρα.

- Χρησιμοποιήστε ένα κατσαβίδι ή τα κλειδί allen που σας παρέχετε για να ρυθμίσετε την ντίζα του μηχανήματος στην κατάλληλη θέση με το παξιμάδι. Αφαιρέστε την κεφαλή μεσινέζας (13) από την ντίζα γυρνώντας την προς τα δεξιά (B11).

- Τοποθετήστε την ροδέλα με το πολύσφηνο καρέ (B12).

- Τοποθετήστε τον δίσκο κοπής (12) πάνω στην ροδέλα με το πολύσφηνο καρέ.

- Τοποθετήστε την ασφάλεια και την ροδέλα πάνω στον δίσκο (11)(B13).

- Χρησιμοποιήστε ένα κατσαβίδι, ή το κλειδί allen που σας παρέχετε για να ρυθμίσετε την ντίζα του θαμνοκοπτικού στην κατάλληλη θέση με το παξιμάδι. Βιδώστε την εξαγωνική βίδα πάνω στην ντίζα προς τα αριστερά, και χρησιμοποιήστε το εξαγωνικό κλειδί που παρέχεται (15) για να σφίξετε την βίδα (B14).

Προσοχή: Αριστερόστροφο σπείρωμα βίδας

Συναρμολόγηση ιμάντα μεταφοράς

Το θαμνοκοπτικό θα πρέπει να χρησιμοποιηθεί με ιμάντα μεταφοράς (17).

Πρώτα, ισορροπήστε το θαμνοκοπτικό ενώ είναι σβηστό.

- Φορέστε τον ιμάντα (17).

- Ρυθμίστε το μήκος του ιμάντα έτσι ώστε ο κρίκος να βρίσκεται περίπου ένα χέρι κάτω από το δεξί σας γοφό (B15).

- Πιάστε το θαμνοκοπτικό πάνω στο κρίκο του ιμάντα.

- Αφήστε το θαμνοκοπτικό να κρεμάσει.

- Σε κανονική θέση εργασίας το μηχάνημα θα πρέπει να ακουμπάει ίσα ίσα το έδαφος (B16).

- Μπορείτε να χρησιμοποιήσετε το κλειδί allen για να ξεσφίξετε το σύνδεσμο εάν χρειάζεται και τοποθετήσετε μπροστά ή πίσω. Είναι σημαντικό το μηχάνημα να είναι πάντα καλά ισορροπημένο. (B17).

Για την λειτουργία, πιάστε το μηχάνημα πάνω στο κρίκο του ιμάντα ενώ το μοτέρ λειτουργεί.

Καύσιμα

Χρησιμοποιήστε μόνο μίξη βενζίνης – λαδιού σε αναλογία 40:1.

Προσοχή: Μην χρησιμοποιήσετε άλλη αναλογία και μην χρησιμοποιήσετε σκέτη βενζίνη.

Μην χρησιμοποιήσετε καύσιμα τα οποία είναι 2-3 μηνών, Αδειάστε το ρεζερβουάρ όταν δεν θα το χρησιμοποιήσετε για καιρό και γεμίστε το ξανά πριν να το λειτουργήσετε πάλι.

Μίξη καυσίμου

4 λίτρα βενζίνης και 100ml ειδικού λαδιού για 2χρονους κινητήρες.

- Γεμίστε ένα δοχείο καυσίμου με 4 λίτρα βενζίνης και βάλτε 100ml ειδικού λαδιού για 2χρονους κινητήρες και ανακατεύστε τα κουνώντας το δοχείο ζωηρά.

- Γεμίστε το ρεζερβουάρ με το καύσιμο αυτό και κλείστε καλά την τάπα.

Γέμισμα ρεζερβουάρ

- Ανοίξτε σιγά σιγά την τάπα καυσίμου έτσι ώστε η πίεση και οι αναθυμιάσεις μπορούν να απελευθερωθούν με μη επικίνδυνο τρόπο.

- Χρησιμοποιήστε ένα χωνί για να γεμίσετε το ρεζερβουάρ με την μίξη καυσίμου και σφίξτε καλά την τάπα ξανά.

Εκκίνηση με κρύο κινητήρα

- Τοποθετήστε το μηχάνημα στο έδαφος.

Το ρεζερβουάρ και ο προφυλακτήρας χρησιμοποιούνται σαν στήριγμα. Σιγουρευτείτε ότι το εξάρτημα κοπής δεν είναι σε επαφή με το έδαφος ή με άλλο αντικείμενο (B18).

- Πιέστε το διακόπτη (4) που βρίσκεται στην χειρολαβή (B19).

- Ανεβάστε το μοχλό του τσοκ (B20) προς τα πάνω. [↗]

- Πιέστε την φούσκα εκκίνησης και κρατήστε την μέχρι να γεμίσει το σωληνάκι βενζίνης με καύσιμο (B21).

- Χρησιμοποιήστε το δεξί σας χέρι για να πιάσετε την χειρολαβή λειτουργίας (3). Έτσι θα απενεργοποιήσετε την ασφάλεια (5) του γκαζιού (B22).

- Πιέστε δυνατά το μοχλό του γκαζιού (6).

- Την ίδια στιγμή πιέστε το κουμπί κλειδώματος (18) (B23).

- Κρατήστε το κουμπί κλειδώματος (18) πατημένο και αφήστε το μοχλό του γκαζιού (6) και την ασφάλεια (5). Έτσι, το κουμπί κλειδώματος (18) είναι αυτόματα πατημένο.

- Κρατήστε ασφαλή στάση σώματος.

- Χρησιμοποιήστε το αριστερό σας χέρι να κρατήσετε το μηχάνημα καλά πιεσμένο προς το έδαφος (B24). Προσοχή: Μην πατήσετε ποτέ το μπαστούνι!

- Τραβήξτε την χειρόμιζα τελείως 3 με 5 φορές (B24).
- Κατεβάστε το μοχλό του τσοκ (B25).
- Τραβήξτε δυνατά την χειρόμιζα μέχρι το τέλος του σχοινιού μερικές φορές μέχρι να ξεκινήσει ο κινητήρας.



Προσοχή – κίνδυνος: Ο κινητήρας ξεκινά με μισή επιτάχυνση και με το εξάρτημα κοπής να περιστρέφεται.

Αφήστε το κινητήρα να λειτουργήσει για μερικά δευτερόλεπτα.

Όταν ο διακόπτης γκαζιού είναι πεισμένος για μικρό χρονικό διάστημα το κουμπί κλειδώματος κλείνει αυτόματα. Ο κινητήρας λειτουργεί στο ρελαντί. Το εξάρτημα κοπής σταματάει μερικά από μερικά δευτερόλεπτα.

Παύση κινητήρα

- Αφήστε το κινητήρα να λειτουργήσει στο ρελαντί χωρίς να πατήσετε το μοχλό του γκαζιού.
- Τοποθετήστε το διακόπτη λειτουργίας (4) στην θέση STOPP (B26).



Προσοχή. Το εξάρτημα κοπής συνεχίζει να περιστρέφεται για μερικά δευτερόλεπτα αφού έχετε σταματήσει το κινητήρα. Κρατήστε και τις δύο λαβές μέχρι να σταματήσει τελείως.

Εκκίνηση όταν ο κινητήρας είναι ζεστός

- Είναι παρόμοιος με την εκκίνηση με κρύο κινητήρα. Σε αυτή την περίπτωση, ο μοχλός του τσοκ θα πρέπει να βρίσκεται στην κάτω θέση συνέχεια (B25).

Λειτουργία του θαμνοκοπτικού

- Όταν λειτουργείτε το μηχανήμα αυτό για πρώτη φορά εξοικειωθείτε με την λειτουργία και τον χειρισμό του χωρίς να ξεκινήσετε τον κινητήρα.
- Ο σχεδιασμός του θαμνοκοπτικού επιτρέπει την λειτουργία μόνο στην δεξιά πλευρά του χρήστη.
- Χρησιμοποιήστε πάντα και τα δύο χέρια σας για να κρατήσετε τις χειρολαβές του θαμνοκοπτικού.

- Χρησιμοποιήστε το δεξί σας χέρι για να κρατήσετε το διακόπτη και το αριστερό σας χέρι για να κρατήσετε την αριστερή χειρολαβή.
- Να έχετε στο νου σας ότι το εξάρτημα κοπής συνεχίζει να περιστρέφεται για λίγη ώρα αφού αφήσετε το διακόπτη γκαζιού.
- Εξασφαλίστε πάντα ιδανικό ρελαντί στο μηχανήμα έτσι ώστε το εξάρτημα κοπής να μην περιστρέφεται.
- Χρησιμοποιήστε πάντα την μέγιστη ταχύτητα για να εργαστείτε, έτσι θα έχετε τα καλύτερα αποτελέσματα. Εάν χτυπήσετε κάποια πέτρα ή δέντρο την ώρα της λειτουργίας, σταματήστε τον κινητήρα και έλεγξε το μηχανήμα για ζημιές.
- Προσοχή: Όταν εργάζεστε σε δύσκολες συνθήκες ή σε πλαγιές, να στέκεστε πάντα από κάτω από το εξάρτημα κοπής.
- Να φοράτε πάντα γυαλιά προστασίας και ωτοασπίδες, και κράνος ασφαλείας.

G
R

Χρήση κεφαλής μεσινέζας για κοπή

- Χρησιμοποιήστε την κεφαλή μεσινέζας για να έχετε καθαρά κοψίματα, να διορθώσετε άκρες κ.α..
- Πλησιάστε προσεκτικά το εμπόδιο και χρησιμοποιήστε την άκρη της μεσινέζας για να κόψετε γύρω από το εμπόδιο. Όταν η μεσινέζα έρχεται σε επαφή με πέτρες, δέντρα ή τοίχους η μεσινέζα φθίρεται και κόβεται.
- Κουνήστε το θαμνοκοπτικό δεξιά και αριστερά. Μπορείτε να ρυθμίσετε το ύψος κοπής ανάλογα με το ύψος που κρατάτε το εργαλείο.
- Μην αλλάξετε ποτέ την νάιλον μεσινέζα με σύρμα.

Κίνδυνος τραυματισμού!

Χρήση δίσκου για κοπή

- Χρησιμοποιήστε τον δίσκο για να κόψετε θάμνους, μικρά δέντρα (μέγιστη διάμετρο κορμού 2 cm) κ.α..
- Όταν χρησιμοποιείτε μεταλλικά εργαλεία κοπής υπάρχει γενικός κίνδυνος ανάκρουσης όταν το εργαλείο χτυπήσει ένα στέρεο αντικείμενο (πέτρες, δέντρα, κλαδιά κλπ.). Στην περίπτωση αυτή το εργαλείο πετάγεται προς τα πίσω αντίθετα με την κατεύθυνση περιστροφής.
- Για να κόψετε θάμνους «βυθίζετε» το δίσκο από πάνω. Έτσι τα αντικείμενα θα κοπούν καλύτερα.
- Προσοχή: Δώστε προσοχή όταν χρησιμοποιείτε αυτή την τεχνική γιατί όσο πιο μακριά είναι το εργαλείο από το έδαφος τόσο πιο μεγάλος είναι ο κίνδυνος να εκσφενδονίζονται κομμάτια από τα αντικείμενα που κόβετε.

- Για να κόψετε μικρά δέντρα και χόρτα κινήστε το μηχανήμα σας δρεπάνι κοντά στο έδαφος.
Προσοχή: Η ακατάλληλη χρήση μπορεί να προκαλέσει ζημιά στο μηχανήμα και τραυματισμούς επειδή εκσφενδονίζονται κομμάτια.
- Για να μειώσετε τον κίνδυνο ατυχημάτων όταν χρησιμοποιείτε τον δίσκο κοπής ακολουθήστε τις παρακάτω σημειώσεις:
 - Μην κόβετε θάμνους και δέντρα που η διάμετρό τους είναι μεγαλύτερη από 2 cm.
 - Αποφύγετε τη επαφή του δίσκου με πέτρες κ.α..
 - Ελέγξτε συχνά τον δίσκο για φθορές. Μην συνεχίζετε την εργασία με φθαρμένο δίσκο.
 - Όταν ο δίσκος γίνει αμβλύς, θα πρέπει να ακονιστεί σύμφωνα με τις οδηγίες. Εάν ο δίσκος είναι χαλασμένος θα πρέπει να αλλάξει.

Αυτόματη τροφοδοσία της μεσινέζας

Το μηχανήμα αυτό παραδίδετε με κεφαλή μεσινέζας. Αυτή η μεσινέζα θα φθαρεί κατά την εργασίας. Για να βγάλετε καινούρια μεσινέζα, πιέστε την κεφή πάνω στο έδαφος ενώ το μηχανήμα δουλεύει. Η μεσινέζα θα βγει αυτόματα χάρη στην φυγόκεντρος δύναμη. Το μαχαιράκι που βρίσκεται στον προφυλακτήρα θα κόψει την μεσινέζα στο σωστό μήκος.

Γέμισμα της κεφαλής μεσινέζας

Για να αποφύγετε τον κίνδυνο εκκίνησης αφαιρέστε το μπουζί. Κίνδυνος τραυματισμού.

- Βγάλτε το καπάκι από την κεφαλή μεσινέζας πιέζοντας προσεχτικά ανάμεσα στα πιαστράκια. (B27-1&B27-2).
- Αφαιρέστε την τροχαλία με το υπόλοιπο της μεσινέζας και το ελατήριο. (B28).
- Βγάλτε την χρησιμοποιημένη μεσινέζα (B29).
- Πάρτε την καινούρια μεσινέζα και τραβήξτε την περίπου 10 εκατοστά από κάθε μεριά.
- Τοποθετήστε την μεσινέζα πάνω στο ελατήριο και περάστε τις δυο άκρες μέσα από της τρύπες στην κεφαλή (B30).
- Τοποθετήστε το καπάκι της κεφαλής (B31). Γυρίστε το μέχρι τα πιαστράκια ευθυγραμμιστούν με τα ελατήρια στην κεφαλή.
- Τώρα πιέστε το καπάκι μέχρι να κουμπώσει.

Το μαχαιράκι στον προφυλακτήρα κόβει την μεσινέζα στο σωστό μήκος όταν το μηχανήμα ξεκινάει.

Συντήρηση και φροντίδα

Λίπανση γρاناζιών

Ελέγξτε το επίπεδο λαδιού κάθε 25 ώρες λειτουργίας.

- Χρησιμοποιήστε ένα κλειδί allen για να ξεβιδώσετε την βίδα (B32).
- Όταν δεν βλέπετε γράσο πάνω στην βίδα γεμίστε με περίπου 5 gr γράσου στα γρανάζια και βιδώστε ξανά την βίδα.

Να έχετε στο νου σας ότι τα γρανάζια δεν θα πρέπει να είναι τελείως γεμάτα με γράσο.

Φίλτρο αέρος

Αφού έχετε λειτουργήσει για αρκετό διάστημα θα πρέπει να καθαρίσετε το φίλτρο αέρος. Η σκόνη και η γύρη βουλώνουν τους πόρους του φίλτρου που είναι από αφρολέξ.

- Αφαιρέστε το κάλυμμα (B33) και καθαρίστε το φίλτρο (B34) σε σαπουνόνερο. Προσοχή: Μην χρησιμοποιήσετε βενζίνη ή διαλυτικό.
- Στεγνώστε το φίλτρο πριν το τοποθετήσετε ξανά. Για να μην μειώσετε το χρόνο ζωής του μηχανήματος θα πρέπει να αλλάζετε το φίλτρο όταν αυτό είναι χαλασμένο.

Ρύθμιση μπουζί

Ελέγξτε το κενό του μπουζί τουλάχιστον μια φορά το χρόνο ή όταν το μηχανήμα δεν ξεκινά καλά. Το σωστό κενό είναι 0.25"/ 0.63mm (B35).

- Περιμένετε μέχρι να κρυώσει τελείως ο κινητήρας.
- Βγάλτε το καπάκι του μπουζί (B36) και χρησιμοποιήστε ένα μπουζόκλειδο που σας παρέχεται για να αφαιρέσετε το μπουζί (B37).
- Όταν ένα ηλεκτρόδιο είναι πολύ φθαρμένο το μπουζί θα πρέπει να αλλάξει.

Μια μεγάλη φθορά μπορεί να προκληθεί από: πολύ ποσότητα λαδιού στην μίξη της βενζίνης, χαμηλή ποιότητα λαδιού, παλιά καύσιμα ή βρώμικο φίλτρο αέρος.

- Βιδώστε το μπουζί με το χέρι (για να μην κολλήσει).
- Χρησιμοποιήστε το μπουζόκλειδο που σας παρέχετε για να σφίξετε το μπουζί.
- Όταν χρησιμοποιείτε κλειδί ροπή, η ροπή σφίξης είναι 12-15 Nm.
- Τοποθετήστε το καπάκι του μπουζί σωστά.

Μαχαιράκι κοπής

- Όταν η μέσινέζα δεν κόβετε καλά κατά την λειτουργία χρησιμοποιήστε μια λίμα για να ακονίσετε ξανά το μαχαιράκι (B39). Λιμάρετε προς μια κατεύθυνση και σε συγκεκριμένη γωνία.

Καθαρισμό

Χρησιμοποιήστε ένα υγρό πανί για να καθαρίσετε τα πλαστικά.

Μην χρησιμοποιήσετε απορρυπαντικά, διαλυτικά ή αιχμηρά αντικείμενα.

Κατά την λειτουργία γρασίδι και χόρτα τυλίγονται γύρω από το άξονα λειτουργίας στην κάτω μεριά του προφυλακτήρα. Αφαιρέστε τα, διαφορετικά ο κινητήρας θα υπερθερμανθεί λόγω υπερβολικής τριβής.

Περιοδικοί έλεγχοι

Οι παρακάτω οδηγίες αναφέρονται σε κανονική χρήση. Ανάλογα με τις περιστάσεις (μεγλύτεροι χρόνοι λειτουργίας, μεγάλη έκθεση στην σκόνη κλπ.) τα αναφερόμενα χρονικά διαστήματα θα μειωθούν. Πριν να ξεκινήσετε την λειτουργία και αφού έχετε βάλει καύσιμα: ελέγξτε εάν τα εξαρτήματα κοπής είναι καλά τοποθετημένα, ελέγξτε γενικά το μηχανήμα και ακονίστε το δίσκο κοπής (εάν χρειάζεται).

Εβδομαδιαίος έλεγχος: Λίπανση των γραναζιών (εάν χρειάζεται).

Εάν είναι αναγκαίο: Σφίξτε όποιες βίδες και παξιμάδια έχουν χαλαρώσει.

Θα αποφύγετε φθορά και ζημιές του εργαλείου εάν ακολουθήσετε αυτές τις οδηγίες.

Ο χρήστης είναι υπεύθυνος για οποιαδήποτε ζημιά μπορεί να προκαλέσει η μη συμμόρφωση με αυτό το εγχειρίδιο.

Αυτό ισχύει και για όποιες μην επιτρεπόμενες αλλαγές γίνουν στο μηχανήμα, για την χρήση μη αυθεντικών ανταλλακτικών, εξαρτημάτων και εργαλείων κοπής και για άλλη χρήση από αυτήν για την οποία έχει σχεδιαστεί το μηχανήμα.

Ανταλλακτικά που υπόκεινται σε φθορά

Ακόμα και όταν χρησιμοποιείτε το μηχανήμα για τον λόγο που σχεδιάστηκε μερικά ανταλλακτικά υπόκεινται σε φθορά. Αυτά τα ανταλλακτικά θα πρέπει

να αλλάζονται ανάλογα με την χρήση τους. Αυτά τα ανταλλακτικά είναι εκτός των άλλων και το εξάρτημα κοπής και οι ροδέλες.

Αποθήκευση / χειμώνα

Θα πρέπει να ακολουθήσετε τα παρακάτω βήματα, έτσι ώστε να λειτουργήσει ξανά το θαμνοκοπτικό σας χωρίς προβλήματα μετά από καιρό:

- Αδειάστε το ρεζερβουάρ.
- Ξεκινήστε το κινητήρα και αφήστε το να λειτουργήσει μέχρι να σβήσει μόνο του.
- Όταν ο κινητήρας έχει κρυώσει, αφαιρέστε το μπουζί.
- Γεμίστε ένα μικρό κουτάλι με λάδι για 2χρονο κινητήρα και τραβήξτε σιγά σιγά την χειρόμιζα μερικές φορές. Με τον τρόπο αυτό το πιστόνι και ο κύλινδρος θα λιπανθούν.
- Ελέγξτε το μπουζί και αλλάξτε το εάν είναι πολύ φθαρμένο.
- Αποθηκεύστε το μηχανήμα σε στεγνό μέρος όπου δεν υπάρχει κίνδυνος φωτιάς.

Εκκίνηση μετά από μεγάλο χρονικό διάστημα

1. Αφαιρέστε το μπουζί.
 2. Τραβήξτε την χειρόμιζα γρήγορα μερικές φορές για να αφαιρέσετε τα υπολείμματα λαδιού από τον κινητήρα.
 3. Ελέγξτε το μπουζί και αλλάξτε το εάν είναι αναγκαίο και τοποθετήστε το ξανά.
- Γεμίστε το ρεζερβουάρ με μίξη καυσίμου 40:1.
 - Ξεκινήστε το κινητήρα όπως σας περιγράφεται στην «εκκίνηση με κρύο κινητήρα».

Χαρακτηριστικά

Τύπος κινητήρα :	Αερόψυκτος 2χρονος κινητήρας
Μέγιστη ισχύς εξόδου:	1,4 Kw
Χωρητικότητα πιστονιού:	51,2 cm ³
Ταχύτητα ρελαντί:	3400 min ⁻¹
Ταχύτητα συμπλέκτη:	4900 min ⁻¹
Μέγιστη ταχύτητα κινητήρα:	9000 min ⁻¹ (γρασίδι) 10500 min ⁻¹ (θάμνους)
Διάμετρο κοπής:	430 mm (γρασίδι) 255 mm (θάμνους)
Κατανάλωση καυσίμου:	684g/kWh
Χωρητικότητα ρεζερβουάρ:	850 ml
Βάρος:	7,8 kg άδειο

Διάμετρος μεσινέζας: 2,4 mm
Μπουζί: L8RTC/ Torch

Επίπεδο πίεσης θορύβου:

96,2 dB(A), K=3 dB(A) (γρασίδι)

96,2 dB(A), K=3 dB(A) (θάμνους)

Επίπεδο θορύβου L_{WA} : 109,2 dB(A), K=3 dB(A) (γρασίδι)

08,4 dB(A), K=3 dB(A) (θάμνους)

Δόνηση: 5,0 m/s² K=1,5 m/s² (γρασίδι)

5,0 m/s² K=1,5 m/s² (θάμνους)

G
R

Περιεχόμενα εργαλείου (A1)(B1)

1. Βίδα στερέωσης για συγκρατητήρα χειρολαβής
2. Τιμόνι
3. Λαβή λειτουργίας
4. Διακόπτης λειτουργίας
5. Ασφάλεια διακόπτη
6. Μοχλός γκαζιού
7. Ιμάντας μεταφοράς
8. Κάλυμμα εξάτμισης
9. Κινητήρας
10. Ρεζερβουάρ
11. Δίσκος κοπής
12. Προφυλακτήρας
13. Κεφαλή μεσινέζας
14. Κλειδί Allen
15. Μπουζόκλειδο
16. Δοχείο μίξης καυσίμου
17. Ιμάντας
18. Κουμπί κλειδώματος
19. Βίδα σύσφιξης
20. Πύρος
21. Μεσινέζα
22. Βάση συνδέσμου
23. Περιστρεφόμενος σύνδεσμος
24. Μεγάλο ελατήριο
25. Μικρό ελατήριο
26. Κάλυμμα συνδέσμου

Πρόβλημα	Πιθανή αιτία	Λύση
Ο κινητήρας σταματά	Λάθος ρύθμιση του καρμπυρατέρ	Δώστε το σε εξουσιοδοτημένο σέρβις για ρύθμιση
Το μηχανήμα ξεκινάει αλλά έχει λίγη δύναμη	Λάθος ρύθμιση του μοχλού τσοκ Το φίλτρο αέρος είναι βρώμικο Λάθος ρύθμιση του καρμπυρατέρ	Ρυθμίστε το τσοκ + Αφαιρέστε το φίλτρο, καθαρίστε το με σαπουνόνερο και τοποθετήστε το ξανά μόλις στεγνώσει! Δώστε το σε εξουσιοδοτημένο σέρβις για ρύθμιση.
Το μηχανήμα δε ξεκινά ή ξεκινά αλλά δεν λειτουργεί	Λάθος διαδικασία εκκίνησης Λάθος ρύθμιση του καρμπυρατέρ Φθαρμένο μπουζί Φίλτρο καυσίμου βουλωμένο	Δείτε τις οδηγίες για εκκίνηση με κρύο κινητήρα Δώστε το σε εξουσιοδοτημένο σέρβις για ρύθμιση Καθαρίστε το μπουζί, διορθώστε το κενό ή αλλάξτε το εάν χρειάζεται Αλλάξτε το φίλτρο καυσίμου
Η μηχανή λειτουργεί ακανόνιστα	Λάθος κενό μπουζί Μπουζί φθαρμένο	Καθαρίστε το μπουζί, διορθώστε το κενό ή αλλάξτε το εάν χρειάζεται
Υπερβολική εκπομπή καπνού	Λάθος ρύθμιση καρμπυρατέρ Λάθος μίξη καυσίμου	Δώστε το σε εξουσιοδοτημένο σέρβις για ρύθμιση Αδειάστε το ρεζερβουάρ και γεμίστε το με την σωστή μίξη 40:1

G
R

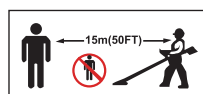
Ohutusmärkused ja hoiatused



Enne kasutamist tuleb kasutusjuhend läbi lugeda!



Olla ettevaatlik lõikesuunas lahtipaikuvate osakeste suhtes!



Töötades tuleb hoida seadme ja teiste inimeste vahel minimaalset vahekaugust 15 m!



Kanda heakskiidetud kuulmekaitsevahendeid, kaitsekiivrit ja kaitseprille!



Kanda libisemiskindlaid ja tugevaid jalatseid!



Kanda kõrgekvaliteedilisi ja tugevaid kindaid!



Kanda kõrgekvaliteedilist ja tugevat tööriietust!



Heitgaas on mürgine ja sellel on lämmatav mõju!



Ettevaatust! Tuleoht!
Bensiin ja bensiiniaru on väga tuleohtlikud!



Tolmu tekitavate materjalide töötlemisel tuleb alati kasutada surnõhuvarustusega hingamiseadet.



Müratase vastab direktiivile 2000/14/EÜ.





Oululine! Kuumad osad. Hoida ohutut vahekaugust.



Selle seadmega ei tohi kasutada saekettaid!



Külmkäivitamisel seada õhuklapi hoob asendisse , sulgeda õhuklapp. Kuumkäivitamisel seada õhuklapi hoob asendisse , avada õhuklapp.

Lugupeetud klient!

Palju õnne bensiinimootoriga võsalõikuri ostmise puhul.



Enne seadme kasutamist tuleb kasutusjuhend hoolikalt läbi lugeda.

Vale kasutamine võib põhjustada vigastusi ja varalist kahju.

Seda kasutusjuhendit mittetundvatel isikutel ei ole lubatud tööriista kasutada. Hoida kasutusjuhendit ohutus kohas.

Alla 16-aastastel lastel ja teismelistel ei ole lubatud tööriista kasutada. Vanematel kui 16-aastastel teismelistel, kes töötavad koolitatud isiku järelevalve all, on lubatud tööriista kasutada.

Nõuetekohane kasutamine

Olenevalt lisatud lõikeüksusest on bensiinimootoriga võsalõikur ette nähtud muru või rohu piiramiseks, võsa lõikamiseks, põõsastiku, põõsaste ja väikeste puude lõikamiseks eraterriituumil.

Seda tööriista ei tohi kasutada mingil muul otstarbel. Tootja ei vastuta otstarbele mittevastava kasutamise ega mootorile tehtud muudatuste eest.

Järgida tuleb märkusi ohutuse kohta ning kokkupanemise- ja kasutusjuhiseid, samuti õnnetuste vältimise juhiseid.

Märkused ohutuse kohta

Märkused ohutuse kohta

Veenduda, et inimesed ega loomad ei viibi tööpiirkonna läheduses (miinimumkaugus 15 m). Lõigatav ja ülespaisatav rohi võib sisaldada võõrkehasid (nt kive). Kasutaja vastutab ohutuse eest tööpiirkonnas ning inimestele tekitatud vigastuste või vara kahjustuste eest.

Bensiinimootoriga võsalõikurit ei tohi ei käivitada ega kasutada inimeste või loomade läheduses.

Seadet ei tohi kasutada, kui olete väsinud või ei suuda keskenduda, kui teie reageerimisvõime on häiritud või kui olete alkoholi või ravimite mõju all.

Tähelepanematus võib põhjustada raskeid vigastusi.

Kasutada heakskiidetud kaitseprille.

Kasutada heakskiidetud kuulmekaitsevahendeid.

Kasutada kõrgequaliteedilisi kaitsekindaid.

Kasutada kõrgequaliteedilisi libisemiskindlaid teraskaitsetega kaitsejalatseid. Tööriista ei tohi kunagi kasutada sandaale kandes ega paljajalu olles.

Alati tuleb kanda metsas töötamiseks ettenähtud kaitsekiivrit.

Ei tohi kanda liiga avarat riietust ega ehteid.

Säärte kaitsmiseks tuleb kanda pikki pükse.

Pikad juuksed tuleb katta kaitsekiivriga.

Liiga avarad rõivad, ehted ja pikad juuksed võivad takerduda seadme liikuvate osade vahele.

Kanda sobivaid ja vastupidavaid tihedalt vastu keha hoidvaid tööriivaid.

Mootori käivitamisel või töötamisel tuleb kehaosad ja rõivad löikeüksusest eemal hoida. Töötamisel tuleb veenduda, et seisate stabiilsel ja kindlal kohal. Komistamisohu tõttu tuleb vältida tagurpidi liikumist

koos tööriistaga. Vältida ebaloomulikke asendeid.

Kui bensiinimootoriga võsalõikurit on kasutatud mitme tunni jooksul, võib see vibratsiooni tõttu põhjustada vereringehäireid (Raynaud' sündroom). Sellisel juhul ei ole võimalik määrata töötamise kestust, sest see võib inimestel olla erinev. Seda nähtust võivad mõjutada järgmised tegurid: vereringehäired kasutaja kätes, madal välistemperatuur, pikad töötunnid. Seetõttu on soovitatav kanda sooje kaitsekindaid ja teha regulaarselt puhkepause.

Sisepõlemismootori heitgaas on mürgine ja võib põhjustada muuhulgas lämbumist. Bensiinimootoriga võsalõikurit ei tohi kasutada suletud või halva ventilatsiooniga ruumides.

Täita bensiinipaaki ainult välitingimustes või hea ventilatsiooniga piirkonnas.

Bensiin ja bensiiniaurud on väga tuleohtlikud. Hoida eemale tuleohtlikest materjalidest ja süüteallikatest (nt ahjud või pliidid).

Kütuse lisamise ajal või tööriistaga töötamisel ei tohi suitsetada.

Bensiinipritsmes tuleb kohe ära pühkida.

Bensiinimootoriga võsalõikurit tohib käivitada ainult võimalikult kaugel kütuse lisamise kohast.

Alati tuleb veenduda, et kütusepaagi kate on kindlalt suletud. Kontrollida võimalikke lekkeid.

Kui mootor töötab või on kuum, ei tohi kütusepaagi korki avada ega bensiini lisada.

Avada kütusepaagi kork aeglaselt, et bensiiniaur saaks väljuda.

Seadme käepidemed peavad olema puhtad ja kuivad ega tohi olla määratud bensiini ja õli seguga.

Tööriista ei tohi kasutada ilma väljalasketoruta. Väljalasketoru kate peab olema õigesti paigaldatud.

Väljalasketoru ei tohi puudutada – põletusohu.

Kasutada ainult juhendis soovitatud kütust. Hoida bensiini ainult selleks ettenähtud mahutites ja ladustada

ohutus kohas.

Kallakul töötamisel tuleb seista alati löikeüksusest madalamal.

Alati tuleb veenduda, et jõhviga löikeseadise ümber, kaitsekattesse ega mootorisse ei kogune esemeid või muud prahti.

E
E

Enne tööriista mahapanemist tuleb see alati välja lülitada.

Jõhviga löikeseadises ei tohi kasutada traati ega midagi selletaolist.

Seadet tohib kasutada ainult päevavalguses või hea tehisolukorras.

Enne iga kasutamist tuleb tööriista visuaalselt kontrollida.

Kontrollida, et kõik kruvid ja ühendused on pingutatud.

Tööriista hoidmiseks tuleb alati kasutada kahte kätt.

Enne kasutamist tuleb kontrollida, et tööriistal, selle osadel ja kaitsekattel ei esine kahjustusi ega kulumisjälgi. Vajaduse korral tuleb lasta seadet remontida. Kaitse- ja ohutusseadiseid ei tohi mitte kunagi välja lülitada. Tööriista ei tohi kasutada, kui ilmnevad kahjustused või kulumisjäljed.

Parema ja ohutuma töö tagamiseks tuleb hoida tööriistad puhtad ja täielikult töökorras.

Töötamisel tuleb hoida tööriista oma kehast ohutul kaugusel.

Töö katkestamisel või asukoha muutmisel lülitada tööriist alati välja, oodata, kuni löikeüksus on täielikult seiskunud ja lülitada mootor välja.

Tööriista ei tohi kunagi jätta töötamiskohale järelevalveta. Töö katkestamise korral paigutada tööriist ohutusse kohta. Seadmega töötavat inimest ei tohi segada, sest ta võib kaotada selle üle kontrolli.

Tööriista ei tohi mitte kunagi kasutada vihmaga, niiskes või märjas keskkonnas ega hoida välistingimustes.

Kui tööriist saab märjaks, tuleb sellel enne taaskasutamist lasta täielikult kuivada.

Enne töö alustamist on soovitatav kontrollida löigatavat ala, et seal ei esineks võõrkehi ja need eemaldada. Kui sellele vaatamata märkate löigates võõrkeha, tuleb tööriist välja lülitada ja võõrkeha eemaldada.

Kui tööriist jääb võõrkeha tõttu kinni (kivid, rohuuustid), tuleb see välja lülitada ja võõrkeha nüri esemega eemaldada. Mitte kunagi ei tohi kinni jäänud võõrkehi sõrmedega eemaldada, sest see võib põhjustada raskeid vigastusi.

Töötav tööriist tuleb kehast alati eemal hoida.

Tähelepanu! Pärast tööriista väljalülitamist pöörleb löikeüksus veel natuke aega!

Mootorit ei tohi ülekoormata ega kasutada seda töödel, milleks see ei ole ettenähtud.

Alati tuleb veenduda, et tuulutusavad ei ole mustust.

Hoida seadet lastele kättesaamatus kohas.

Hoida tööriista ohutus ja kuivas kohas.

Pärast lööki või muid kahjustusi tuleb kontrollida, et mootor ei ole kahjustunud.

Mootori käivitamisel või töötamisel tuleb kehaosad ja rõivad jõhviga löikeseadisest eemal hoida. Pidada meeles, et eriti muru servade, kruusakattega kohtade ja muude taoliste kohtade niitmisel võivad löikejõhvi alt üles paiskuda kivid ja muld.

Kui tööriist on sisse lülitatud, ei tohi mitte kunagi liikuda üle teede või radade.

Mitte kunagi ei tohi löigata vastu kõvu esemeid (nt kivi vms). Nii saab vältida kehavigastusi ja tööriista kahjustumist.

Tööriista ei tohi mitte kunagi kasutada ilma kaitsekatteta.

Löikeüksust ei tohi mitte kunagi käega seisata.

Alati tuleb oodata, kuni see ise peatub.

Jõhviga lõikeseadist tuleb hoida ja juhtida maapinnale võimalikult lähedal.

Lõigata ainult maapinnal kasvavat muru. Ei tohi lõigata muru, mis kasvab seinapragudes, kividel või mujal.

Alati tuleb veenduda, et jõhviga lõikeseadise ümber, kaitsekattesse ega mootorisse ei kogune esemeid ega muud prahti.

Tööriista tohib kasutada ainult paigaldatud kaitsekatttega.

Enne tööriista mahapanemist tuleb see alati välja lülitada.

Pidada meeles, et lõikeriista jõhvi lõikeseade võib põhjustada vigastusi.

ETTEVAATUST! Pärast mootori seiskumist pöörleb lõikeüksus veel mõne sekundi.

Tööriista võib maha panna alles pärast seda, kui lõikeriist on täielikult seiskunud ja mootor välja lülitatud.

Kui lõikeriist on kahjustunud, tuleb see viivitamatult asendada.

Kasutada alati ainult originaaljõhvi. Mitte kunagi ei tohi nailonjõhvi asemel kasutada metalltraati.

Tööriist ja lõikeriistad tuleb regulaarselt korralikult üle kontrollida ja hooldada. Kahjustused peab remontima hoolduskeskus.

Kasutada tohib ainult tootja soovitatud tarvikuid.

Tööriista tohib hooldada ainult kvalifitseeritud personal, kes kasutab ainult originaalvaruosi. See tagab, et tööriist töötab tulevikus ohutult.

Kokkupanemine

Enne kokkupanemist tuleb kontrollida, kas kõik osad on olemas ja et need ei ole transportimisel kahjustunud.

1. Tööriist tuleb paigutada horisontaalselt, mootoriga maapinna suunas.

2. Keerata lahti kinnituskruvi (19) (A1) ja sisestada ülemine ja alumine trimmeri toru liitmikusse (A2).

3. Pigistada kergelt alumist trimmeri toru, et fikseerimistihvt (20) fikseeruks liitmiku avas. Seejärel keerata kinnituskruvi kinni.

4. Lahtivõtmiseks keerata kinnituskruvi lahti, vajutada fikseerimistihvt sisse ja tõmmata trimmeri toru eemale (A4).

Suunamiskäepidemed

Bensiinimootoriga võsalõikuri konstruktsioon võimaldab seadet kasutada ainult töötaja keha paremal küljel.

- Asetada suurem vedru (24) pööratava klambri (23) alumisse ossa (B3-2).
- Vajutada väiksem vedru (25) pööratava klambri (23) ülaossa (B3-3).
- Panna suunamiskäepide (2) pööratava klambri (23) pesa (B3-4).
- Ühendada ja sulgeda klambri kate (26) ning pööratav klamber (23), kasutades klambri katte konkse (B3-5).
- Sisestada käepideme kruvi (1) läbi klambri katte (26) ja pööratava klambri (23) (B3-6).
- Ühendada ja pingutada klambri kate (26) ning pööratav klamber (23), kasutades klambri katte konkse (B3-5).
- Reguleerida suunamiskäepide tööks sobivasse kaldesse ja pingutada käepideme kruvi (1) (B3-7 ja B3-8).
- Reguleerida suunamiskäepide tööks sobivasse kaldesse ja pingutada käepideme kruvi (1) (B3-9).

Tööriista ladustamisel võib käepideme kruvi pisut lahti keerata ja suunamiskäepideme pöörata peavõlliiga paralleelseks, et säästa hoiuruumi (B4-1 ja B4-2).

Jõhviga lõikeseadise kokkupanemine

Mootori soovimatu käivitumise ohu vältimiseks tõmmata välja süüteküünlad.

VIGASTUSOHT



ETTEVAATUST! Lõikeüksusega ja selle läheduses töötamisel tuleb alati kanda kaitsekindaid.

TBensiinimootoriga võsalõikur on varustatud kinnitatud lõiketeraga (11) ja ühendatud kaitsekatttega (12).

Bensiinimootoriga võsalõikurit murutrimmerina kasutades tuleb kinnitada õige kate (12) ja jõhviga lõikeseadis (13). Lõikekaitsekatte saab paigaldada nii, nagu on näidatud joonistel B5-1 ja B5-2.

- Kinnitada kruvikeeraja või komplekti kuuluva kuuskantsüvendi võtme (14) abil bensiinimootoriga võsalõikuri völli ettenähtud kohas lukustusmutriga (B6).

- Keerata komplekti kuuluva kuuskantsüvendi võtmega (15) päripäeva lahti lõiketera kinnitav kuuskantkrugi (B7).

- Eemaldada lõiketera kuuskantkrugi, lukustusseib ja hoideketas (B8). Säilitada need osad ohutus kohas.

- Kinnitada lukustusosa (B9).

- Kinnitada kruvikeeraja või komplekti kuuluva kuuskantsüvendi võtme abil bensiinimootoriga võsalõikuri völli ettenähtud kohas lukustusmutriga (B10).

- Seejärel kruvida jõhviga lõikeseadis (13) völliile (vastupäeva) (B10).

ETTEVAATUST! Vasakkeere

Lõiketera kokkupanemine

Mootori soovimatu käivitumise ohu vältimiseks tõmmata välja süüteküünlaga pesa.

VIGASTUSOHT



ETTEVAATUST! Lõikeüksusega ja selle läheduses töötamisel tuleb alati kanda kaitsekindaid.

Lõiketera tuleb regulaarselt teritada juhiste kohaselt. Valesti teritatud või nürid lõikeservad võivad põhjustada tööriista ülekoormuse.

KEHAVIGASTUSTE JA PURUSTUSTE OHT

Lõikeüksusest eemalepaiskuvad tükid võivad põhjustada väga raskeid vigastusi.

Bensiinimootoriga võsalõikuri kasutamisel

mootoriga trimmerina tuleb kinnitada õige kaitse ja lõiketera.

- Kinnitada kruvikeeraja või komplekti kuuluva kuuskantsüvendi võtme abil bensiinimootoriga võsalõikuri völli ettenähtud kohas lukustusmutriga. Seejärel eemaldada völliilt jõhviga lõikeseadis (13), pöörates seda päripäeva (B11).

- Paigaldada lõiketera (12) lukustusosale.

- Paigaldada lõiketerale (11) hoideketas (jälgida serva) ja lukustusseib (B13).

- Kinnitada kruvikeeraja või komplekti kuuluva kuuskantsüvendi võtme abil bensiinimootoriga võsalõikuri völli ettenähtud kohas lukustusmutriga. Kruvida kuuskantkrugi völliil vastupäeva ja kasutada komplekti kuuluvat kuuskantsisevõtit (15) selle krugi pingutamiseks (B14).

ETTEVAATUST! Vasakkeere

Kanderihma kokkupanemine

Bensiinimootoriga võsalõikurit tuleb kasutada kanderihmaga (17).

Kõigepealt tuleb bensiinimootoriga võsalõikur tasakaalustada (seade peab olema väljalülitatud).

- Paigaldada õlarihm (17).

- Reguleerida rihma pikkust selliselt, et kinnitushaak on umbes ühe käelabalaiuse võrra allpool paremat puusa (B15).

- Kinnitada bensiinimootoriga võsalõikur kinnitushaagi külge.

- Lasta bensiinimootoriga võsalõikuril kiikuda.

Normaalses tööasendis seisumise korral peab lõikeüksus vaevalt maapinda puudutama (B16).

- Vajaduse korral saab klambri lõdvendamiseks kasutada kuuskantsüvendi võtit ja nihutada klambrit ette- või tahapoole. Seetõttu on oluline, et bensiinimootoriga

võsalõikur oleks alati hästi tasakaalustatud (B17).

Töötamiseks tuleb riputada bensiinimootoriga võsalõikur kanderihma kinnitushaagile, kui mootor töötab.

Kütus

Kasutada ainult tavalise pliivaba bensiini ja kahetaktilise mootori spetsiaalse õli segu segamisvahekorras 40:1.

Ettevaatust. Teistsugust bensiini ja õli segamisvahekorda ega puhast bensiini ei tohi kasutada.

Kütust, mis on vanem kui 2–3 kuud, ei tohi kasutada. Pikemate vaheaegade korral tühendada paak ja täita uuesti enne töö alustamist.

Bensiinisegu

4,0 liitrit bensiini ja 100 ml spetsiaalset kahetaktilise mootori õli (tanklast).

- Kallata 4,0 liitrit bensiini kütusepaaki koos 100 ml kahetaktilise mootori õliga ja segada jõuliselt.

- Kallata kütus paaki ja sulgeda kork.

Bensiiniga täitmine

- Keerata paagi kork aeglaselt lahti, et paak saaks rõhu alt vabaneda ja bensiiniaur pääseks ohutult välja.

- Valada lehtri abil paaki bensiiniga vahekorras 40:1 segatud kahetaktilise mootori õli ja keerata kork uuesti kinni.

Külma mootoriga käivitamine

- Asetada bensiinimootoriga võsalõikur ohutult maapinnale.

Kütusepaaki ja lõikamiskatet kasutatakse tugipunktidena. Tagada, et lõikeüksus ei puutu kokku maapinna ega esemetega (B18).

- Seada tööülilüti (4) töökäepidemel alumisse asendisse (B19).

- Liigutada õhuklapi hooba (B20) ülespoole:



- Vajutada sisselaskeventiili ja hoida seda all, kuni läbipaistev bensiinitoru täitub bensiiniga (B21).

- Pigistada parema käega töökäepidet (3), et vabastada seguklapi hooba (B22) lukusti (5).

- Vajutada tugevasti seguklapi hooba (6).

- Samal ajal vajutada lukustusnuppu (18) (B23).

- Hoida lukustusnuppu (18) allavajutatuna ja vabastada seguklapi hoob (6) ning lukusti (5). Nii hoitakse lukustusnuppu (18) automaatselt all.

- Võtta sisse ohutu asend.

- Suruda bensiinimootoriga võsalõikur vasaku käega tugevasti vastu maad (B24).ETTEVAATUST! Jalga ei tohi kunagi võllile panna ega sellel põlvitada.

- Tõmmata käiviti kaablit 3–5 korda lõpuni (B24).

- Liigutada õhuklapi hoob alla (B25):

- Tõmmata käiviti kaablit mitu korda kiiresti ja tugevalt lõpuni, kuni mootor käivitub.

TÄHELEPANU – OHT! Mootor käivitub poole kiirenduse ja pöörleva lõikeüksusega. Lasta mootoril mõned sekundid töötada.



Seguklapi hoovale lühidalt vajutamisel lülitub lukustusnupp automaatselt välja. Mootor hakkab uuesti koormuseta töötama. Lõikeriist seiskub mõne sekundi pärast.

Mootori väljalülitamine

- Lasta mootoril hakata uuesti koormuseta töötama ilma seguklapi hoovale vajutamata.

- Seada tööülilüti (4) töökäepidemel asendisse STOP (B26).

ETTEVAATUST! Pärast mootori seiskumist pöörleb lõikeüksus veel mõne sekundi. Hoida mõlemast

käepidemest, kuni löikeüksus on täielikult seiskunud.

Sooja mootoriga käivitamine



- See on sarnane külma mootoriga käivitamisele. Sel juhul tuleb õhuklapi hooba hoida alati all asendis |↓| (B25).

E
E

Bensiinimootoriga võsalõikuriga töötamine

- Bensiinimootoriga võsalõikuriga esimest korda töötades tuleb tutvuda bensiinimootoriga võsalõikuri töö ja juhtimisega mootorit käivitamata.

- Bensiinimootoriga võsalõikuri konstruktsioon võimaldab kasutada seadet ainult töötaja keha paremal küljel.

- Bensiinimootoriga lõiketera käepidemetest tuleb alati hoida mõlema käega.

- Hoida töökäepidet parema käega ja käepideme toru käepidet vasaku käega.

- Pidada alati meeles, et löikeüksus jätkab pöörlemist natuke aega pärast seguklapi hoova vabastamist.

- Alati tuleb tagada mootori õige koormuseta töötamine, nii et seguklapi hoova allavajutamise korral lõikeriist enam ei pöörle.

- Töötamisel tuleb alati kasutada suurimat töökiirust, mis tagab parima lõikamistulemuse.

Kui tabate töötades kivi või puud, tuleb mootor välja lülitada ja kontrollida, et bensiinimootoriga võsalõikuril ei esine kahjustusi.

Ettevaatust. Raskest keskkonnast ja kallakutel töötades tuleb alati seista lõikeseadise allpool.

Alati tuleb kanda kaitseprille ja kuulmekaitsevahendeid ning metsas töötades kaitsekiivrit.

Jõhviga lõikeseadise kasutamine lõikamiseks

- Kasutada jõhviga lõikeseadist korralikuks lõikamiseks ka ebatasastel servadel, aiapostide ja puude juures.

- Takistusele tuleb lõikejõhviga läheneda ettevaatlikult ja takistuse ümbruses lõikamiseks kasutada jõhvi otsa. Kui lõikejõhv puutub kokku kivide, puude ja seintega, kulub jõhv enneaegselt või katkeb. Sel juhul võib juhtuda, et jõhv kaob jõhvi pooli korpusesse ja lõikejõhvi automaatne etteanne enam ei tööta.

- Kõigutada bensiinimootoriga võsalõikurit horisontaalselt paremalt vasakule ja uuesti tagasi nagu tavalist vikati. Lõikekõrguse saab määrata tööriista hoidmiskõrgusega.

- Mitte kunagi ei tohi nailonjõhvi asendada metalltraadiga.

VIGASTUSOHT

Lõiketera kasutamine lõikamiseks

- Kasutada lõiketera võsa, lopsaka taimeistiku, noorte puude (tüve läbimõõt max 2 cm) ja kõrge rohu lõikamiseks.

- Metallist lõikeriistade kasutamisel tekib üldiselt tagasipõrke oht, kui tööriist põrkub vastu kõva takistust (kivid, puud, oksad jms). Kokkupõrke korral paiskub tööriist tagasi pöörlemissuunaga vastupidises suunas.

- Lopsaka taimeistiku ja võsa lõikamiseks tuleb lõiketera ülalt alla suunata. Nii saab lõigatavaid objekte kõige paremini lõigata.

ETTEVAATUST! Selle lõikamistehnikaga tuleb olla eriti ettevaatlik, sest mida kõrgemal on lõikeriist maapinnast, seda suurem on oht, et lõigatavad objektid ja osakesed paiskuvad külgsuunas.

- Noorte puude ja rohu lõikamiseks liigutada tööriista nagu vikati maapinna lähedal.

ETTEVAATUST! Vale kasutamine ja väärkasutamine võib võsalõikurit kahjustada ja eemalepaiskuvad osakesed võivad põhjustada raskeid vigastusi.

- Õnnetusohu minimeerimiseks lõikeseadise kasutamisel tuleb arvestada järgmisi punkte:

- Mitte kunagi ei tohi lõigata põõsastikku ega puid, mis

on jämedamad kui 2 cm.

- Vältida kokkupuudet metallesemetega, kividega jne.

- Regulaarselt tuleb kontrollida, et lõiketeral ei esine kahjustusi.

Kahjustunud lõiketera ei tohi kunagi kasutada.

- Kui lõiketera muutub nähtavalt nüriks, tuleb seda juhiste kohaselt teritada.

Kui lõiketera on nähtavalt tasakaalust väljas, tuleb see asendada.

Lõikejõhvi automaatne etteanne

Lõikejõhvi (22) väljatõmbamiseks lasta mootoril töötada täiskiirusega ja koputada jõhviga lõikeseadist vastu maapinda. Selle tagajärjel toimub lõikejõhvi automaatne etteanne. Tera kaitsekattes lõikab jõhvi lubatud pikkusesse.

Jõhviga lõikeseadise/lõikejõhvi vahetamine

- Võtta jõhviga lõikeseadis lahti. Vajutada lõikeseadisele ja eemaldada korpuse üks pool (B27-1 ja B27-2).

- Võtta jõhviga lõikeseadise plaat või plaadid jõhviga lõikeseadise korpusest (B28) välja.

- Paigaldada uus lõikejõhv keskele ja riputada tekkinud silmus poolijaoturi (B29) pilusse.

- Kerida jõhvi vastupäeva ja pingutada. Poolijaotur eraldab jõhvi (B30) kaks poolt.

- Kinnitada jõhvi mõlemad otsad 15 cm ulatuses vastasküljel olevatesse pooliplaadi (B31) jõhvihoidikutesse.

- Keerata jõhvi mõlemad otsad jõhviga lõikeseadise korpuse (B28) metallasadesse.

- Vajutada pooli plaat jõhviga lõikeseadise korpusesse.

- Tõmmata jõhvi mõlemat otsa järsult nende vabastamiseks jõhvihoidikutest.

- Ühendada korpuse osad uuesti.

- Lõigata liigne lõikejõhv ära, nii et see jääb umbes 13 cm pikkuseks. See vähendab mootori koormust käivitamisel ja soojendamisel.

- Paigaldada uuesti jõhviga lõikeseadis.

ETTEVAATUST! Seadme kasutamisel tuleb vältida kokkupuudet äärekivide, kivide ja muude kõvade esemetega, sest lõikejõhv võib katkeda ning jõhvi automaatne etteanne enam ei tööta. Sel juhul tuleb toimida ptk „Jõhviga lõikeseadise/lõikejõhvi vahetamine“ punktide 1–11 kohaselt.

Korrashoid ja hooldamine

Ülekande määrimine

Kontrollida määride olemasolu iga 25 töötunni järel.

- Eemaldada kuuskantsüvendi võtmega korgi kruvi (B32).

- Kui kruvis ei ole määret näha, lisada u 5 g määret (saadaval tööriistapoes) ülekandekasti ja sulgeda ava uuesti.

Pidada meeles, et ülekandekasti ei tohi mitte kunagi määrdega täielikult täita.

Õhufilter

Pärast pikemat töötamist tuleb õhufilter puhastada. Tolm ja õietolm kogunevad vahtplastist filtri pooridesse.

- Eemaldada kate (B33) ja pesta filtrit (B34) lahja seebiveega. Ettevaatust. Ei tohi kasutada bensini ega lahustit.

- Enne filtri tagasipanemist tuleb see kuivatada. Mootori kasutuskestuse pikendamiseks tuleb kahjustunud õhufilter kohe välja vahetada.

Süüteküünla reguleerimine

Kontrollida süüteküünla sädevahet vähemalt kord aastas või siis, kui mootor käivitub halvasti. Õige sädevahe süüteküünla kontaktide vahel on 0,63 mm (B35).

- Oodata, kuni mootor on täielikult jahtunud.

- Keerata lahti kruvi ja eemaldada plastkate (B36-1).
- Tõmmata süüteküünlalt kork (B36-2) ja kasutada komplekti kuuluvat küünlavõtit küünla väljakeeramiseks (B37).

**E
E**

- Kui elektrood on tugevasti kulunud või omab tugevat koorikut, tuleb süüteküünal samasugusega asendada.

Tugeva kooriku põhjustajaks süüteküünlal võib olla: Bensiinisegu õlikogus on liiga suur, õli halb kvaliteet, vana bensiinisegu või ummistunud õhufilter.

- Kruvida süüteküünal käega lõpuni pesasse (vältida küünla kinnijäämist).

- Kasutada komplekti kuuluvat küünlavõtit süüteküünla pingutamiseks.

- Momentvõtme kasutamisel on pingutusmoment 12–15 Nm.

- Paigutada süüteküünla kork korralikult küünlale.

Jõhvinoa teritamine

- Kui lõikejõhvi ei lõigata enam etteandmisel korralikult, tuleb viiliga lõikeserva (B38) teritada. Viilida ühes suunas ja määratud nurga all.

Puhastamine

Plastosade puhastamiseks kasutada niisket lappi.

Ei tohi kasutada mingeid puhastusvahendeid, lahusteid ega teravaid esemeid.

Tehnilistel põhjustel keerdub märg rohi ja umbrohi töötamisel allpool lõikekaitset ümber veovõlli. See tuleb eemaldada, vastasel juhul kuumeneb mootor liigselt hõõrdumise tõttu.

Regulaarne kontrollimine

Tuleb meeles pidada, et järgmised tehnilised andmed kehtivad tavakasutusel. Olenevalt tingimustest (päevatöö

pikem kestus, tihe tolm jne), võivad määratud väärtused muutuda vastavalt lühemaks. Enne töö alustamist ja pärast kütuse lisamist: Kontrollida, kas lõikeriistad on kindlalt paigaldatud, üldist välimust, teritada lõiketera (ka vajaduse korral).

Iganädalane kontrollimine: Ülekande määrimine (ka vajaduse korral).

Vajaduse korral: Pingutada uuesti kõik kinnituskruidid ja -mutrid, mis on juurdepääsetavad.

Selle juhendi juhiste järgimise korral ei kulu tööriist liigselt ega kahjustu. Kasutaja vastutab kõikide kahjustuste eest, mis tekivad selle juhendi juhiste eiramise korral.

See kehtib ka tööriista volitamata muudatuste, heakskiitmata varuosade, tarvikute ja tööriistade kasutamise kohta, mitteasjakohase ja mittesihipärase kasutamise ning defektsete osade kasutamisest põhjustatud sekundaarsete kahjustuste kohta.

Kuluvad detailid

Ka sihtotstarbelisel kasutamisel mõned osad kuluvad. Need tuleb vahetada, olenevalt kasutusviisist ja -kestusest. Nende osade hulka kuuluvad muuhulgas lõikeüksus ja hoideketas.

Hoiustamine/talv

Järgida alljärgnevat samme, et bensiinimootoriga lõiketera töötaks pärast pikemat seismist jälle probleemideta:

- Tühjendada kütusepaak.
- Käivitada mootor ja lasta sel töötada, kuni seiskumiseni.
- Kui mootor on jahtunud, eemaldada süüteküünal.
- Lisada väike lusikatäis kahetaktilise mootori küttesegu süüteküünla avasse ja tõmmata käiviti kaablit aeglaselt mitu korda. Sellega puhutakse nõejäägid välja ning kolb ja silinder saavad määratud.
- Kontrollida süüteküünalt ja asendada see, kui

sädeelektrood on liiga põlenud.

- Hoiustada bensiinimootoriga löiketera kuivas kohas, kus see ei saa süttida.

Taaskäivitamine pärast pikemaid pause

1. Eemaldada süüteküüнал.
2. Tõmmata käiviti kaablit kiiresti mitu korda lõpuni õli ja jääkide eemaldamiseks mootoriruumist.
3. Kontrollida süüteküünalt ja asendada see vajaduse korral ning kruvida tagasi.

- Täita kütusepaak kahetaktilise mootori õliseguga vahekorras 40:1.

- Käivitada mootor, nagu on kirjeldatud peatükis „Külma mootoriga käivitamine“.

Tehnilised andmed

Mootori tüüp:	Õhkjahutusega kahetaktiline mootor
Max väljundvõimsus:	1,4 kW
Kolvi maht:	51,2 cm ³
Tühikäigu pöörlemissagedus:	3400 min ⁻¹
Rakendunud siduriga pöörlemissagedus:	4900 min ⁻¹
Mootori max pöörlemissagedus:	9000 min ⁻¹ (murutrimmer) 10500 min ⁻¹ (võsalõikur)
Lõikeketta läbimõõt:	430 mm (murutrimmer) 255 mm (võsalõikur)
Kütuse erikulu:	684 g/kWh
Mahuti maht:	850 ml
Kaal:	7,8 kg, tühi
Jõhvi läbimõõt:	∅ 2,4 mm
Süüteküüнал:	L8RTC (Torch)

Mürarõhutase (L_{PA})

96,2 dB(A), K=3 dB(A) (murutrimmer)
97,2 dB(A), K=3 dB(A) (võsalõikur)


Müra võimsustase (L_{WA})

109,2 dB(A), K=3 dB(A) (murutrimmer)
108,4 dB(A), K=3 dB(A) (võsalõikur)

Vibratsioon: 8,484 m/s² K=1,5 m/s² (murutrimmer)
6,243 m/s² K=1,5 m/s² (võsalõikur)

Tööriista osade ülevaade (A1)(B1)

1. Käepidemehoidiku klamberkruvi
2. Suunamiskäepide
3. Töökäepide
4. Tööüliti
5. Lukusti
6. Seguklapi hoob
7. Summutusrakmed
8. Väljalasketoru kaitsekate
9. Mootor
10. Kütusepaak
11. Lõiketera
12. Lõikekaitse
13. Jõhviga lõikeseadis
14. Kuuskantsüvendi võti
15. Süüteküünla võti
16. Bensiini segamispaak
17. Kanderihm
18. Lukustusnupp
19. Lukustuskruvi
20. Fikseerimistihvt
21. Lõikejõhv
22. Klambri alus
23. Pööratav klamber
24. Suurem vedru
25. Väiksem vedru
26. Klambri kate

Tõrge	Võimalik põhjus	Tõrke kõrvaldamine
Mootor seiskub.	Karburaator ei ole õigesti reguleeritud.	Lasta tehnikul karburaatorit reguleerida.
Tööriist käivitub, kuid mootori võimsus on väike.	Õhuklapi hoob ei ole õigesti reguleeritud. Õhufilter on määrdunud. Karburaator ei ole õigesti reguleeritud.	Seada õhuklapi hoob asendisse  . Eemaldada vahtplastist filter, pesta seebiveega ja paigaldada tagasi, kui on kuiv. Lasta tehnikul karburaatorit reguleerida.
Tööriist ei käivitu või käivitub, kuid ei tööta.	Vale käivitusprotseduur. Karburaator ei ole õigesti reguleeritud. Süüteküünal on tahma täis. Kütusefilter on ummistunud.	Järgida peatüki „Külma mootoriga käivitamine“ punktides 1–8 esitatud juhiseid. Lasta tehnikul karburaatorit reguleerida. Puhastada süüteküünal, korrigeerida sädevahet või asendada süüteküünal. Asendada kütusefilter.
Mootor töötab ebaühtlaselt.	Süüteküünla sädevahe ei ole õige. Süüteküünal on ära põlenud.	Puhastada süüteküünal, korrigeerida sädevahet (ideaalne on 0,63 mm) või asendada süüteküünal.
Väljub liigselt suitsu.	Süüteküünla sädevahe ei ole õige. Süüteküünal on ära põlenud.	Lasta tehnikul karburaatorit reguleerida. Tühjendada paak, lisada õige segu: kahetaktilise mootori segu 40:1.

Notas sobre segurança e advertências



Leia o manual antes da operação!



Cuidado com as partículas atiradas na direção do corte!



Certifique-se de que uma distância mínima de 15m é mantida entre a máquina e outras pessoas durante o funcionamento!



Usar protetor de ouvido aprovado, Capacete de segurança e óculos de segurança!



Use sapatos antiderrapantes e resistentes!



Use luvas de alta qualidade!



Use roupa de trabalho de alta qualidade!



o escape emitido é venenoso e tem um efeito sufocante!



Cuidado: risco de incêndio! Vapores de gasolina e gasolina são altamente inflamáveis.



Utilize sempre aparelhos respiratórios para uso de materiais que gerem poeira.



As emissões sonoras cumprem a diretiva 2000/14/EC!





Importante. Peças quentes. Mantenha distância.



Não use lâminas de serra com este dispositivo.



Durante o arranque a frio coloque a alavanca do afogador em , feche o estrangulador. Num arranque a quente, coloque a alavanca do afogador em , abra o estrangulador.

Caro cliente,
Parabéns pela compra da sua motorroçador.



Leia atentamente este manual antes de começar a operar o motor.
O uso inadequado pode causar danos a pessoas e propriedades.

Pessoas não familiarizadas com este manual não são Operação da ferramenta. Guarde este manual num local seguro.

Crianças e adolescentes menores de 16 anos são Não é permitido usar a ferramenta. Adolescentes com idade superior a 16 anos e trabalhando sob supervisão de uma pessoa treinada são autorizados a usar a ferramenta.

Uso adequado

Dependendo da ferramenta de corte Cortador de escova de petróleo destina-se a aparar gramados ou grama, para cortar arbustos, arbustos, arbustos e árvores pequenas em áreas privadas.

Esta ferramenta não deve ser utilizada para qualquer outro fim.

O fabricante não se responsabiliza por qualquer uso impróprio ou por qualquer modificação do motor.

Observe as notas de segurança, as instruções de montagem e de operação, bem como os regulamentos de prevenção de acidentes vigentes.

Notas sobre segurança

Märkused ohutuse kohta

Certifique-se de que não haja pessoas ou animais próximos da área de trabalho (distância mínima de 15 m). A grama que está sendo cortada e jogada acima pode conter objetos estrangeiros tais como pedras. Você é responsável pela segurança em sua área de trabalho, e você é responsável por danos a pessoas ou bens.

P
T

Não é permitido nem iniciar nem utilizar o cortador de escovas de petróleo na proximidade de pessoas ou animais.

Não use a ferramenta quando estiver cansado ou distraído, ou sua capacidade de reagir é prejudicada quando você está sob a influência de álcool ou medicação.

Desatenção pode causar lesões graves.

Use óculos de segurança aprovados.

Use protetor auditivo aprovado.

Use luvas de segurança de alta qualidade.

Use sapatos de proteção antiderrapantes de alta qualidade com tampas de aço de segurança. Nunca opere a ferramenta usando sandálias, ou quando descalço.

Sempre use um capacete de segurança aprovado para trabalhar em uma floresta.

Não use roupas largas ou joias. Usar calças compridas para proteger as pernas. Use capacete de segurança para cabelos longos. Roupas soltas, joias e cabelos longos podem ficar presos nas peças em movimento.

Usar roupas de trabalho ajustadas e duráveis.

Mantenha as peças do corpo e roupas longe da ferramenta de corte quando você iniciar o motor, ou mantê-lo em execução.

Certifique-se de que você está em pé em uma posição estável e segura durante o trabalho. Evite o movimento para trás com a ferramenta devido ao risco de tropeçar. Evite qualquer postura não natural.

Quando a lâmina de corte a gasolina tem sido operado por longas horas, pode causar um distúrbio circulatório. Devido à vibração (doença de Raynaud). Neste caso, é impossível especificar qualquer duração de operação, porque pode diferenciar de pessoa para pessoa.

Os seguintes fatores podem ter uma influência sobre este fenômeno: distúrbios circulatórios nas mãos do operador, baixas temperaturas ao ar livre, longas horas de operação. Portanto, recomenda-se usar luvas de proteção quentes, e fazer pausas em intervalos regulares.

O escapamento dos motores de combustão interna é venenoso e pode levar à asfixia, entre outros.

Não é permitido operar a lâmina de corte a gasolina em locais fechados ou mal ventilados.

Encha o tanque de gasolina apenas ao ar livre, ou em áreas bem ventiladas.

Vapores de gasolina e gasolina são altamente inflamáveis. Manter afastado de materiais inflamáveis e fontes de ignição, tais como fornos ou fogões.

Não fumar durante o reabastecimento ou a utilização da ferramenta

Limpe imediatamente a gasolina derramada.

Colocar apenas a lâmina de corte a gasolina em um local distante do local de reabastecimento.

Certifique-se sempre de que a tampa do depósito de combustível está bem fechada. Procure possíveis fugas.

Quando o motor está funcionando ou o motor está quente, não é permitido abrir a tampa do tanque de combustível ou da gasolina.

Abra a tampa do tanque de combustível lentamente para que o vapor de gasolina pode escapar.

Certifique-se de que as alças estão secas, limpas e sem gasolina misturada com óleo.

Não utilize a ferramenta sem tubo de escape e quando

a proteção do tubo de escape não estiver corretamente instalada.

Não toque no tubo de escape, existe o risco de queimaduras. Utilize apenas o combustível recomendado no manual.

Mantenha a gasolina somente em recipientes projetados para ela, e guarde-a em um local seguro.

Durante o corte em declive, sempre fique por baixo da ferramenta de corte.

Certifique-se sempre de que nenhum objeto ou outros detritos estão coletando na cabeça do aparador, na capa de proteção ou no motor.

Sempre troque a ferramenta antes de colocá-la para baixo.

Não use qualquer fio, ou algo semelhante no carretel de linha.

Somente trabalhe durante a luz do dia, ou quando a área estiver bem iluminada usando iluminação artificial.

Submete a ferramenta a uma inspeção visual antes de cada uso.

Verifique se todos os parafusos e peças de ligação estão apertados.

Use sempre as duas mãos para segurar a ferramenta.

Verifique a ferramenta, seus componentes e protetores quanto a danos ou desgaste antes de cada uso, e faça-o reparar, se necessário. Nunca faça a Dispositivos de proteção e de segurança inoperacionais. Não use a ferramenta, quando os danos ou sinais de desgaste se tornam aparentes.

Mantenha as ferramentas limpas e totalmente funcionais para garantir um trabalho melhor e mais seguro.

Mantenha sempre uma distância segura entre a ferramenta e o seu corpo durante o trabalho.

Sempre troque a ferramenta quando o trabalho for interrompido ou o local for alterado; espere até que as ferramentas de corte tenham parado completamente, e dê a volta ao motor.

Nunca deixe a ferramenta sem supervisão no local de trabalho. Guarde a ferramenta num local seguro

O trabalho será interrompido.

As pessoas que operam a máquina não devem ser distraídas, ou podem perder o controle sobre a ferramenta.

Nunca utilize a ferramenta durante a chuva, num ambiente húmido ou molhado, e não guarde-o no exterior.

Se a ferramenta ficar molhada, aguarde até que esteja completamente seca antes de usá-la novamente.

Antes de iniciar o trabalho, recomenda-se verificar os objetos a serem cortados para possíveis objetos estranhos e removê-los. Quando, apesar disso, você encontrar um objeto estranho durante o corte, troque a ferramenta e remova esse objeto.

Se a ferramenta estiver atolada por um objeto estranho (pedras, pilhas de grama), mude-a e remova o objeto usando um item sem corte. Nunca use o seu ngers para Remova objetos estranhos atolados, pois isso pode causar ferimentos graves.

Mantenha sempre a ferramenta em funcionamento afastada do seu corpo.

Atenção: a ferramenta de corte ainda funciona por algum tempo após a ferramenta ter sido desligada!

Não sobrecarregue o motor e não o utilize para trabalhos que a ferramenta não tenha sido concebida.

Certifique-se sempre de que as aberturas de ventilação estão livres de sujeira.

Guarde a ferramenta fora do alcance das crianças.

Guarde a ferramenta num local seguro e seco.

Verifique o motor para ver se há danos após o impacto, ou outros danos.

Mantenha as peças do corpo e peças de vestuário longe da cabeça do aparador quando você liga o motor, ou Mantê-lo funcionando.

Tenha sempre em mente que, especialmente durante o corte de bordas de gramado, cascalhos e locais semelhantes pedra e sujeira pode ser arremessado longe da linha de corte.

Nunca cruzar estradas ou caminhos quando a ferramenta está ligada.

Nunca corte contra objetos duros, como pedra, etc.
B Desta forma você evita ferimentos e danos à ferramenta.

Nunca utilize a ferramenta sem as proteções instaladas.
Nunca use as mãos para parar o dispositivo de corte.
Sempre espere até que ele pare por conta própria.
Segure e guie a cabeça do aparador o mais próximo possível do solo.

P
T

Corte apenas grama crescendo no chão. Não corte erva em rachaduras nas paredes, em crescimento ou em pedras, etc.

Certifique-se sempre de que nenhum objeto ou outros detritos estão coletando na cabeça do aparador, na capa de proteção ou no motor.

Use somente a ferramenta, quando a proteção estiver presa. Sempre desligue a ferramenta, antes de colocá-la para baixo.

Tenha em mente que há risco de ferimentos na área do dispositivo de corte destinado a cortar a linha.

CUIDADO: A ferramenta de corte continua a rodar durante alguns segundos após o motor ter sido desligado.

Coloque a ferramenta para baixo apenas depois de a ferramenta de corte ter parado completamente eo motor desligar.

Quando a ferramenta de corte estiver danificada, ela deve ser substituída imediatamente.

Utilize sempre a linha original apenas. Nunca use um fio de metal em vez da linha de nylon.

A ferramenta e as ferramentas de corte devem ser devidamente inspecionadas e mantidas periodicamente. Os danos devem ser reparados por um centro de serviço.

Utilize apenas acessórios recomendados pelo fabricante.

Tenha sua ferramenta servida apenas por pessoal qualificado e somente por peças sobressalentes originais.

Isso garante que a ferramenta funcione com segurança no futuro.

Montagem

Verifique se todas as peças estão incluídas e se foram danificadas durante o transporte antes da montagem.

1. Coloque a ferramenta horizontalmente com o motor virado para o chão.
2. Solte o parafuso de aperto (19) (A1) e insira o tubo de corte superior e inferior no conector fornecido (A2).
3. Gire ligeiramente o tubo de aparador inferior para encaixar o pino de retenção (20) no furo do conector. Em seguida, aperte o parafuso de aperto.
4. Para desmontar, solte o parafuso de aperto, empurre o pino de retenção para dentro e puxe o tubo de aparador para a frente (A4).

Guidão

O projeto do cortador de escova de petróleo permite a operação no lado direito do corpo do usuário.

- Colocar a mola maior (24) na parte inferior do suporte giratório (23). (B3-2)
- Pressione a mola mais pequena (25) na parte superior do suporte giratório (23). (B3-3)
- Colocar a barra de apoio (2) na ranhura do suporte giratório (23). (B3-4)
- Ligar e fechar a tampa do suporte (26) eo suporte giratório (23) utilizando os ganchos na tampa do suporte (B3-5).
- Inserir o parafuso da alavanca (1) através da tampa do suporte (26) e do suporte giratório (23). (B3-6)
- Colocar a montagem do suporte na base do suporte (22) e apertar ligeiramente o parafuso da alavanca (1) (B3-7 e B3-8)
- Ajustar a barra no ângulo de operação e apertar o parafuso da alavanca (B3-9).

Quando você armazena a ferramenta, você pode soltar ligeiramente o parafuso da alavanca e girar a barra do punho para paralelizar com o eixo principal para economizar espaço de armazenamento. (B4-1 & B4-2)

Montagem da cassete de linha

Para evitar o risco de um arranque indesejado do motor, retire a vela de ignição.

RISCO DE LESÕES



CUIDADO: Sempre use luvas de proteção ao trabalhar com e ao redor de ferramentas de corte.

A lâmina de corte a gasolina é fornecida com a lâmina de corte anexada (11) e a proteção associada (12).

Para utilizar a lâmina de corte a gasolina como cortador de relva, deve ser montada a proteção adequada (12) e a bobina de linha (13).

A proteção de corte pode ser instalada como imagens B5-1 e B5-2.

- Utilize uma chave de parafusos ou a chave Allen (14) para fixar o eixo do cortador de escova de petróleo no local pretendido (B6) por meio de uma contraporca.

- Utilize a chave hexagonal fornecida (15) para soltar O parafuso hexagonal para a fixação da lâmina de corte (B7) rodando-a no sentido horário.

- Remova o parafuso sextavado, a anilha de bloqueio eo disco de retenção da lâmina de corte (B8). Guarde estas peças num local seguro.

- Fixar a peça de bloqueio (B9).

- Utilize uma chave de parafusos ou a chave Allen fornecida para fixar o veio da lâmina de corte a gasolina Na posição pretendida por uma contraporca (B10).

- Aparafuse a cassete de linha (13) no eixo no sentido anti-horário (B10).

CUIDADO: Conjunto de rosca para a esquerda da lâmina de corte Para evitar o risco de um arranque indesejado do motor, retire a ficha da vela de ignição.

RISCO DE LESÕES



CUIDADO: Sempre use luvas de proteção ao trabalhar com e ao redor de ferramentas de corte.

A lâmina de corte deve ser afiada periodicamente de acordo com as instruções. As arestas de corte mal afiadas ou sem corte podem causar a sobrecarga da ferramenta.

RISCO DE RUPTURAS E RACHADURAS

Fragmentos lançados longe da ferramenta de corte podem causar lesões extremamente graves.

Para utilizar a lâmina de corte a gasolina motorizado, a proteção adequada e lâmina de corte deve ser anexado.

- Utilize uma chave de parafusos ou a chave Allen fornecida para fixar o veio da lâmina de corte a gasolina No local pretendido por uma contraporca. Agora retire a cassete de linha (13) do eixo girando-a no sentido horário (B11).

- Colocar a lâmina de corte (12) na peça de bloqueio.

- Colocar o disco de retenção (observar o lado) e a anilha de bloqueio na lâmina de corte (11) (B13).

- Utilize uma chave de parafusos ou a chave Allen fornecida para fixar o veio da lâmina de corte a gasolina No local pretendido por uma contraporca. Parafusar o parafuso hexagonal no eixo no sentido anti-horário, e usar a chave hexagonal fornecida (15) para apertar este parafuso (B14).

CUIDADO: Conjunto de Roscas Esquerdo da Correia de Transporte

A lâmina de corte a gasolina deve ser utilizada com uma tira de transporte (17).

Em primeiro lugar, equilibrar o cortador de escova de petróleo quando a ferramenta é desligada.

- Usar a alça de ombro (17).

- Ajuste o comprimento da alça de forma que o gancho de pressão fique aproximadamente uma mão abaixo do quadril direito (B15).

- Encaixe a lâmina de corte de gasolina no gancho de pressão.

B - Deixe a lâmina de corte girar.

Quando estiver de pé em uma postura de trabalho normal, a ferramenta de corte deve apenas tocar o chão (B16).

- Pode utilizar uma chave Allen para afrouxar o suporte, se necessário, e deslocar para a frente ou para trás. Desta forma, é importante que o cortador de escovas de petróleo seja sempre bem equilibrado (B17).

Para operação, ligue o cortador de escova de gasolina no gancho de pressão da correia de transporte enquanto o motor estiver funcionando.

Combustível

Use somente uma mistura de gasolina regular sem chumbo e 2 tempos de óleo de motor especial em uma proporção de mistura de 40: 1.

Cuidado: Não use qualquer outra relação de mistura e não use gasolina pura.

Não use combustível acima de 2-3 meses. Esvazie o tanque quando estiver tomando pausas mais longas e encha novamente antes do início do trabalho.

Mistura de gasolina

4,0 litros de gasolina e 100 ml de óleo de motor especial de 2 tempos (estação de enchimento)

- Encher 4,0 litros de gasolina em um tanque de combustível juntamente com 100 ml de óleo de motor de 2 tempos e misturar ambos agitando vigorosamente o tanque.

- Encha o combustível no tanque e feche a tampa.

Enchimento de gasolina

- Lentamente gire a tampa do tanque para abri-lo, de modo que a pressão e o vapor de gasolina possam escapar de uma maneira não-perigosa.

- Utilize um funil para encher o óleo de 2 tempos misturado com gasolina numa proporção de 40: 1, e

aperte novamente a tampa.

Starting when Engine is Cold

- P Coloque a lâmina de corte de combustível com segurança no chão.

- O tanque de combustível e o protetor de corte são usados como suporte.

- Certifique-se de que a ferramenta de corte não entre em contacto com o solo ou com quaisquer outros objetos (B18).

- Deslocar o interruptor de comando (4) na alavanca de comando (B19).

- Deslocar a alavanca do afogador (B20) para cima: 

- Pressionar a válvula de injeção e segurá-la, até que o tubo de gasolina transparente se encha com gasolina (B21).

- Utilize a mão direita para apertar a alça de operação (3). Assim, desbloqueará o dispositivo de bloqueio (5) do controlo do acelerador (B22).

- Pressionar fortemente o regulador de pressão (6).

- Ao mesmo tempo, pressione o botão de bloqueio (18) (B23).

- Manter premido o botão de bloqueio (18) e soltar o regulador de pressão (6) e o dispositivo de bloqueio (5). Deste modo, o botão de bloqueio (18) é mantido pressionado para baixo automaticamente.

- Assuma uma postura segura.

- Use a mão esquerda para manter o cortador de escova de petróleo fortemente pressionado no chão (B24).

CUIDADO: Nunca ponha o pé no eixo, nem ajoelhe-o.

- Puxar o cabo de arranque completamente de 3 a 5 vezes (B24).

- Deslocar a alavanca do afogador (B25) para baixo:

- Puxar o cabo de arranque com rapidez e força até o cabo terminar várias vezes, até que o motor começa.



- **CUIDADO - PERIGO: O motor arranca pela metade Aceleração e com a ferramenta de corte rotativa.**

Mantenha o motor em funcionamento durante alguns segundos.

Quando o comando do acelerador é pressionado brevemente, o botão Bloqueio desliga-se automaticamente. O motor retorna para marcha lenta. A ferramenta de corte pára após vários segundos.

Desligando o motor

- Deixe o motor voltar ao ralenti sem pressionar o comando do acelerador.
- Colocar o interruptor de comando (4) na alavanca de comando na posição "STOP" (B26).



CUIDADO. A ferramenta de corte continua a rodar durante alguns segundos Desligado. Segure as duas alças até que a ferramenta de corte chegue ao ponto final.

Iniciando quando o motor está quente

Isto é similar ao começo de um motor frio. Neste caso, o nível do estrangulador é sempre $\uparrow\downarrow$ posição na parte inferior (B25).

Trabalhando com a motorroçadora

- Quando você trabalha com o cortador de escova de petróleo
Pela primeira vez, familiarize-se com a operação e o controle da lâmina de corte a gasolina sem o motor em funcionamento.
- O design do cortador de escova de petróleo permite a operação apenas no lado direito do corpo do usuário.
- Utilize sempre ambas as mãos para segurar as alças da lâmina de corte a gasolina.
- Use a mão direita para segurar a alça de operação e a sua mão esquerda para segurar a alça do tubo da alça.
- Tenha sempre em mente que a ferramenta de corte continua girando por um curto período de tempo após o controle do acelerador ser liberado.
- Certifique-se sempre de que o motor está em marcha lenta de forma a que a ferramenta de corte não gire mais, quando o comando do acelerador é pressionado.
- Utilize sempre a velocidade mais elevada para o trabalho, desta forma obterá o melhor resultado de corte.

Se você bater uma pedra ou árvore durante o trabalho,

desligue o motor e inspecione o cortador de escova de petróleo para danos.

Cuidado: Quando estiver trabalhando em uma área difícil e em declives, sempre fique por baixo da cabeça de corte.

Sempre use óculos de segurança e proteção auricular, e um capacete de segurança durante o trabalho em uma floresta.

Usando a cabeça do aparador para cortar

- Use a cassete de linha de plástico para um corte limpo também em bordas desiguais, postes de vedação e árvores.

- Avance com cuidado a linha de corte até um obstáculo e use a ponta da linha para cortar o obstáculo. Quando a linha de recorte

Contato com pedras, árvores e paredes, a linha desgasta ou quebra fora antes do tempo. Neste caso, pode ser Aconteceu que o fio desapareceu no alojamento de spool de corda ea transmissão automática de linha de corte não funciona mais.

- Balance a lâmina de corte de gasolina como uma foice normal horizontalmente da direita para a esquerda e de volta. Você define a altura de corte dependendo de quão alto você está segurando a ferramenta.

- Nunca substitua a linha de nylon por um fio metálico.

RISCO DE LESÕES

Usando lâmina de corte para corte

- Use a lâmina de corte para pentear através de mato, o crescimento de classificação, as populações de árvores jovens (Diâmetro do tronco máximo de 2 cm) e grama alta.

- Ao usar ferramentas de corte de metal, há geralmente um risco de recuo, quando a ferramenta bate um obstáculo sólido (Pedras, árvores, ramos, etc.). Assim, a ferramenta é atirada.

B para trás contra o sentido de rotação.

- Para cortar o crescimento de classificação e pinheiro, você deve "imersar" a lâmina de corte a partir do topo.

CUIDADO: Seja cuidadoso ao usar esta técnica de trabalho, porque quanto mais longe a ferramenta de corte estiver do solo, maior é o risco de que os objetos a serem cortados e as partículas sejam lançadas lateralmente.

- Pentear as populações de árvores jovens e Cortar a grama, mover a ferramenta como uma foice bem acima do solo.

CUIDADO: O uso incorreto e o mau uso podem danificar o cortador de mato e causar ferimentos graves por causa de peças atiradas.

- Para minimizar o risco de acidentes com o uso da lâmina de corte, tome nota dos seguintes pontos:
- Nunca cortar arbustos ou madeiras cujo diâmetro seja superior a 2 cm.
- Evitar o contacto com corpos metálicos, pedras, etc.
- Verifique periodicamente a lâmina de corte quanto a danos. Nunca continue a usar uma lâmina de corte danificada.

- Quando a lâmina de corte se torna aparentemente romba, deve ser afiada de acordo com as instruções. Quando a lâmina de corte está aparentemente fora de equilíbrio, deve ser substituída.

Alimentação automática da linha de corte

Para estender a linha de corte (22), execute o motor a toda velocidade e toque no carretel de linha no chão. Isso automaticamente estenderá a linha. A lâmina no protetor irá cortar a linha para o comprimento permitido. Substituição da bobina de linha / linha de corte

-Distinguir a linha. Pressione o carretel e remova uma metade da caixa (B27-1 e B27-2).

- Retirar o prato do carretel (k) do alojamento do carretel da linha (B28).

- Colocar a nova linha de corte no centro e pendurar o laço que se formou no recesso do separador de carretel (B29).

-Verse a linha no sentido anti-horário e sob tensão. O separador

de carretel separará as duas metades da linha (B30).

- Pegue os últimos 15 cm das duas extremidades da linha sobre os suportes opostos da linha de bobina (B31).

- Passe as duas extremidades da linha através dos olhais

metálicos no alojamento do carretel de linha (B28).

-Pressione a placa do carretel no alojamento da bobina de linha

-Pull as duas extremidades de linha bruscamente para liberá-los dos titulares de linha.

-Juntar as peças da carcaça novamente

-Contar o excesso de linha para um comprimento de cerca de 13cm. Isto irá reduzir a carga sobre o motor ao iniciar e aquecer.

-Reponha o carretel de linha.

CUIDADO: quando você opera a máquina, evite o contato com bordas, pedras e outros objetos duros, porque a linha de corte.

A linha de compensação automática pára de funcionar.

Neste caso, proceda de acordo com a Pts. 1-11

"Substituir a bobina de linha / linha de corte".

Manutenção e cuidados

Lubrificação de engrenagens

Verifique o enchimento da graxa de lubrificação a cada 25 horas de operação.

- Utilize uma chave Allen para remover o parafuso do bujão rodando (B32).

Quando não puder ver qualquer graxa no parafuso, encher com aprox. 5 g de graxa de lubrificação (armazenamento DIY) na caixa da caixa de velocidades e feche novamente a abertura do filtro.

Lembre-se de que a caixa da caixa de câmbio nunca deve estar completamente cheia de graxa de lubrificação.

Filtro de ar

Depois de trabalhar por mais tempo, você deve limpar o ar Filtro. Poeira e pólen tapam os poros do filtro feito de plástico espumado.

- Remova a tampa (B33) e lave o filtro (B34) em água com sabão suave. Cuidado: Não use gasolina ou solvente.

- Seque o filtro antes de voltar a inseri-lo.

- Para não encurtar a vida útil do motor, um filtro de ar danificado deve ser substituído imediatamente.

- Ajuste da vela de ignição
- Verifique o entreferro da vela de ignição pelo menos uma vez por ano ou quando o motor começa mal. A folga correta
- Entre o ponto de ignição e o contato de ignição é 0,25 "/ 0,63 mm (B35).
- Espere até que o motor arrefeça completamente.
- Soltar o parafuso e retirar a tampa plástica (B36-1).
- Puxe a tampa da vela de ignição (B36-2) para fora da vela de ignição e utilize a
- Remova a vela de ignição girando (B37).
- Quando o elétrodo está muito desgastado ou revela uma incrustação forte, a vela de ignição deve ser substituída por uma ficha equivalente.
- Uma incrustação forte da vela de ignição pode ser causada por: A quantidade de óleo é muito alta na mistura da gasolina, a qualidade pobre do óleo, a mistura velha da gasolina, ou o filtro de ar obstruído.
- Enroscar a vela de ignição à mão completamente na rosca. (Evite o encravamento)
- Utilize a chave da vela de ignição fornecida para apertar a vela de ignição.
- Quando se utiliza uma chave dinamométrica, o binário de aperto é de 12-15 Nm.
- Ligue corretamente a ficha da vela de ignição à ficha.

Linha de Corte

- Quando a linha de corte não estiver mais cortada.
- Durante a alimentação, utilize um fi ne para re-afiar a aresta de corte (B38). Arquivo em uma direção e na Especificado.

Limpeza

Use um pano úmido para limpar as peças plásticas.

Não utilize produtos de limpeza, solventes ou objectos afiados.

Durante o curso do trabalho, a relva molhada e as ervas daninhas envolvem o eixo de Por razões técnicas. Remova isso, caso contrário, o motor irá superaquecer por causa de muita fricção.

Verificações periódicas

Tenha em mente que as especificações a seguir se referem ao uso normal. Devido às circunstâncias (períodos mais longos de trabalho diário, exposição severa à poeira, etc.), os intervalos especificados se tornarão correspondentemente mais curtos. Antes do início do trabalho e após o reabastecimento: Verifique se as ferramentas de corte estão bem assentes, inspeção geral, afie a lâmina de corte (também, se necessário).

Inspeção semanal: Lubrificação da engrenagem (também, se necessário).

Se necessário: Reapertar os parafusos e porcas de fixação acessíveis.

Você vai evitar o desgaste excessivo e os danos da ferramenta, quando você seguir as instruções neste manual.

O usuário é responsável por todos os danos causados pelo não cumprimento das instruções neste manual. O mesmo se aplica às modificações não autorizadas da ferramenta, à utilização de peças de reposição não autorizadas, aos acessórios, às ferramentas de trabalho, à utilização não relacionada e não prevista, aos danos secundários devidos à utilização de componentes defeituosos.

Peças sujeitas a desgast

Mesmo quando usado da maneira pretendida, alguns componentes estão sujeitos ao desgaste normal. Eles têm de ser substituídos dependendo do tipo de duração do uso. Estas peças incluem, entre outras, a ferramenta de corte e o disco de retenção.

Armazenamento / Inverno

Deverá observar os seguintes passos, de modo a que a lâmina de corte da gasolina volte a funcionar sem problemas após um longo período de tempo:

- Esvaziar o depósito de combustível.
- Ligue o motor e deixe-o correr, até parar.

- Quando o motor arrefecer, retire a vela de ignição.
 - Encha uma pequena colher de mistura de 2 tempos na abertura da vela de ignição e puxe lentamente o cabo de arranque várias vezes. Deste modo, os depósitos de fuligem serão expelidos e o pistão eo cilindro serão lubrificados.

- Verifique a vela de ignição e substitua-a, quando a faísca é queimada excessivamente.

- Guarde a lâmina de corte a gasolina num local seco onde não esteja sujeito a riscos de incêndio.

Reiniciar após pausas mais longas

1. Remova a vela de ignição.

2. Puxe o cabo de partida várias vezes para remover o óleo e os depósitos no compartimento do motor.

3. Verifique a vela de ignição e, se necessário, volte a colocá-la novamente.

- Encha o depósito de combustível com uma mistura de 2 tempos de 40: 1.

- Ligue o motor conforme descrito em "Iniciando quando o Motor está frio".

Especificações

Tipo de motor:	refrigerado a ar 2 tempos Max.
Potência de saída:	1,4 kW
Capacidade do pistão:	51,2 cm ³
Velocidade de marcha lenta:	3400 min ⁻¹
Velocidade de engate embraiada:	4900 min ⁻¹
Max velocidade do motor:	9000 min ⁻¹ (grass trimmer) 10500 min ⁻¹ (brush cutter)
Diâmetro de corte:	430 mm (grass trimmer) 255 mm (brush cutter)
Consumo específico de combustível:	684 g/kWh
Volume do depósito:	850 ml
Peso:	7,8 kg, empty
Tamanho do fio:	Ø 2,4 mm
Vela de ignição:	LBRTC(Torch)

Nível de pressão sonora LpA:

96.2 dB(A), K=3 dB(A) (grass trimmer)

97.2 dB(A), K=3 dB(A) (brush cutter)

Nível de potência sonora LwA:

109.2dB(A),K=3dB(A) (grass trimmer)

108.4dB(A),K=3dB(A) (brush cutter)

Vibração: 8,484 m/s² K=1,5 m/s² (grass trimmer)
6,243 m/s² K=1,5 m/s² (brush cutter)

Visão geral dos componentes da ferramenta (A1)(B1)

1. Parafuso de fixação para porta-corrimão
2. Guiador
3. Alça de operação
4. Interruptor de operação
5. Dispositivo de travamento
6. Alavanca do acelerador
7. Arneses de Suspensão
8. Proteção do tubo de escape
9. Motor
10. Depósito de combustível
11. Lâmina de corte
12. Guarda de corte
13. Cabeça do aparador
14. Chave Allen
15. Chave de vela de ignição
16. Tanque de mistura de gasolina
17. Alça de transporte
18. Botão de bloqueio
19. Parafuso de bloqueio
20. Pino de retenção
21. Linha de corte
22. Base do suporte
23. Suporte rotativo
24. Primavera maior
25. Primavera menor
26. Tampa do suporte

Problema	Causa possível	Solução de problemas
O motor pára.	Ajuste incorrecto do carburador	Ter o carburador ajustado por um técnico.
A ferramenta começa, mas o motor tem pouca potência.	Ajuste incorrecto da alavanca do afogador O filtro de ar está sujo Ajuste incorrecto do carburador	Troque para ↓ Retire o filtro feito de plástico espumado, lave com água e sabão e reinsira-o quando seco. Ter o carburador ajustado por um técnico.
A ferramenta não inicia, ou inicia, mas não é executado.	Procedimento incorreto ao iniciar Ajuste incorreto do carburador A vela de ignição está cheia de fuligem Filtro de gasolina conectado	Observe as instruções em "Iniciando quando o motor está frio 1-8". Ter o carburador ajustado por um técnico. Limpe a vela de ignição, corrija o entreferro ou substitua a vela de ignição. Substituir o filtro de gasolina
O motor funciona irregularmente.	Falha de ar incorreta na vela de ignição Vela de ignição queimada	Clean the spark plug, correct the air gap, ideal is 0,25"/0.63 mm, or replace the spark plug.
Emissão excessiva de fumaça.	Falha de ar incorreta na vela de ignição Vela de ignição queimada	Ter o carburador ajustado por um técnico. Esvazie o tanque, enche a mistura correta: mix de 2 tempos 40: 1.

Notas de seguridad y advertencias

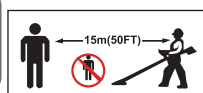


Lea el manual antes de la operación!



Cuidado con las partículas lanzadas hacia el corte!

E
S



Asegúrese de mantener una distancia mínima de 15 metros entre la máquina y otras personas durante la operación!



Usar gafas de protección aprobadas casco de protección del oído y de seguridad!



Utilice antideslizante y zapatos resistentes!



Use guantes de alta calidad!



Usar ropa de trabajo de alta calidad!



los gases de escape emitida es venenoso y tiene un efecto sofocante!



Precaución: peligro de incendio! Los vapores de la gasolina y la gasolina son altamente inflamables.



Siempre use un equipo de respiración para el uso de materiales que generan polvo.



Las emisiones sonoras cumplen a directiva 2000/14/EC!



Importante. Las partes calientes. Mantenga distancia.



No utilice hojas de sierra con este dispositivo.



Durante el arranque en frío, poner la palanca del obturador para cerrar el estrangulador. En un arranque en caliente, coloque la palanca del obturador en, abra el estrangulador.

Caro cliente,
Felicitaciones por la compra de su desbrozadora.



Lea este manual antes de empezar a usar el motor.

El uso inadecuado puede causar daños a personas y bienes.

Las personas que no están familiarizadas con este manual no son herramientas de servicio. Guarde este manual en un lugar seguro.

Los niños y adolescentes menores de 16 años no Están permitidos a utilizar la herramienta. Los adolescentes mayores de 16 años y que trabajan bajo la supervisión de una persona entrenada se les permite usar la herramienta.

Uso adecuado

Dependiendo de la herramienta de corte el pincel de aceite de corte destinada a cortar el césped o hierba, arbustos cortados, arbustos y arbustos pequeños árboles en áreas privadas.

Esta herramienta no debe utilizarse para ningún otro propósito.

El fabricante no se hace responsable del mal uso o cualquier modificación del motor.

Tenga en cuenta las notas de seguridad, instrucciones montaje y operación, así como las regulaciones la prevención de accidentes en vigor.

Notas de seguridad

Asegúrese de que no hay personas o animales cerca de la zona de trabajo (distancia mínima de 15 m). La hierba se corta y se echa encima de lata contener objetos extraños tales como piedras. Usted es responsable de la seguridad en el escritorio, y usted es responsable de los daños a personas o bienes.

Ni siquiera se les permite empezar a utilizar o la desbrozadora de aceite en las proximidades de personas o animales.

No utilice la herramienta cuando esté cansado o distraído, o su capacidad para reaccionar si se ve afectada cuando se está bajo la influencia del alcohol o medicamentos.

La falta de atención puede causar lesiones graves.

Usar gafas de protección.

Usar protector de la audición aprobado.

Use guantes de seguridad de alta calidad.

Use zapatos de seguridad antideslizantes con tapas de seguridad de acero de alta calidad. Nunca utilice la herramienta con sandalias, o con los pies descalzos.

Siempre use un casco de seguridad aprobado para trabajar en un bosque.

No use ropa suelta o joyas. Use pantalones largos para proteger sus piernas. Utilizar el casco de seguridad para el pelo largo. ropa suelta, joyas y el cabello largo pueden quedar atrapados en las piezas móviles.

Utilizar ropa de trabajo ajustados y duraderos.

Mantenga las partes del cuerpo y la ropa alejados de la herramienta de corte cuando se inicia el motor, o que siga funcionando. Asegúrese de que usted está de pie en una posición estable y segura durante el trabajo. Evite mover hacia atrás con la herramienta debido al riesgo de tropezar.

Evitar la postura antinatural.

Cuando la gasolina cuchilla de corte ha sido operada por largas horas, puede causar un trastorno Debido a la vibración circulatorio (enfermedad de Raynaud).

En este caso, es imposible especificar cualquier longitud operación porque se puede diferenciar de persona a persona.

Los siguientes factores pueden tener una influencia en este fenómeno: trastornos circulatorios en las manos de operador, con temperaturas exteriores bajas, largas horas

operación. Por lo tanto, se recomienda el uso de guantes protección caliente, y tomar descansos a intervalos regulares.

Los gases de escape de motores de combustión interna Es venenoso y puede llevar a la asfixia, entre otros. No se le permite operar la gasolina cuchilla de corte en áreas cerradas o con poca ventilación.

Llene el tanque de gasolina únicamente en exteriores o en áreas bien ventiladas.

Los vapores de la gasolina y la gasolina son altamente inflamables. Mantener alejado de materiales combustibles y fuentes de ignición, tales como hornos o estufas.

No fumar durante el repostaje y la herramienta de uso Limpie inmediatamente la gasolina derramada.

Sólo hay que poner la cuchilla de corte de gasolina En un lugar distante de la recarga local.

Asegúrese siempre de que la tapa del tanque El combustible es cerrada. Busque posibles fugas. Cuando el motor está en marcha o con el motor caliente, No está permitido abrir el tapón del depósito de combustible o la gasolina.

Abra la tapa del tanque de combustible lentamente a la de vapor de gasolina puede escapar.

Asegúrese de que las asas estén secas, limpias y sin gasolina mezclada con aceite.

No utilice la herramienta sin tubo de escape y cuando la protección del tubo de escape no es corretamente instalado.

el toque en el tubo de escape, existe el riesgo de quemaduras. utilizar sólo el combustible recomendado en el manual.

Guarde el combustible únicamente en contenedores diseñados para ello, y almacenarlo en un lugar seguro.

Durante el corte cuesta abajo, siempre se quedan por debajo de la herramienta de corte.

Asegúrese siempre de que no haya objetos u otros desechos están recogiendo el cabezal de corte, la cubierta protectora o el motor.

E
S

Siempre vuelva a colocar la herramienta antes de ponerla en el suelo.

No utilice ningún cable o algo similar en el carrete de hilo.

Sólo el trabajo durante el día o cuando la zona está bien iluminada con luz artificial.

Presenta la herramienta a una inspección visual antes de cada uso.

Asegúrese de que todos los tornillos y piezas de conexión están apretados.

Siempre use ambas manos para sostener la herramienta.

Comprobar la máquina, sus componentes y protectores deterioro o desgaste antes de cada uso, y hacer la reparación en caso de necesidad. Nunca hacer Los dispositivos de protección y seguridad operativa. No utilice la herramienta cuando el daño o signos de desgaste se hacen evidentes.

Mantenga las herramientas limpias y totalmente funcionales para garantizar un trabajo mejor y más seguro.

Siempre mantenga una distancia de seguridad entre la herramienta y su cuerpo durante el parto.

Siempre vuelva a colocar la herramienta cuando el trabajo se interrumpe o se cambia el lugar; esperar a que las herramientas de corte se hayan detenido completamente, y devolver al motor.

Nunca deje la herramienta sin vigilancia en el lugar de trabajo. Mantenga la herramienta en un lugar seguro

Se interrumpirá el trabajo.

La gente que opera la máquina no se debe distraer, o pueden perder el control sobre la herramienta.

Nunca utilice la herramienta bajo la lluvia, en un ambiente húmedo o mojado, y no lo guarde en el extranjero.

Si la herramienta está mojado, espere hasta que esté completamente seco antes de volver a utilizarlo.

Antes de comenzar el trabajo, se recomienda comprobar los objetos que se cortan a posibles objetos extraños y eliminarlos. Cuando, a pesar de esto, a encontrar un objeto extraño durante el corte, vuelva a colocar la herramienta y extraer el objeto.

Si la herramienta está atascada por un objeto extraño (piedras, hierba células), cambiarlo y retire el objeto mediante un elemento romo. Nunca use sus dedos para Retirar los cuerpos extraños atascados, ya que esto puede causar lesiones graves.

Mantenga siempre la herramienta lejos de su cuerpo trabaja.

Precaución: la herramienta de corte sigue funcionando durante algún tiempo después de que la herramienta se ha apagado!

No sobrecargue el motor y no lo use para trabajar la herramienta no ha sido diseñada.

Siempre asegúrese de que las rejillas de ventilación estén libres de suciedad.

Guarde la herramienta fuera del alcance de los niños. Mantenga la herramienta en un lugar seguro y seco. Compruebe el motor para ver si hay daños después el impacto, u otros daños.

Mantenga las partes del cuerpo y prendas de vestir lejos del cabezal de corte cuando se inicia el motor, o que siga funcionando.

Siempre tenga en cuenta que, especialmente durante cortar los bordes del césped, gravas y locales como la piedra y la suciedad puede ser lanzado lejos de la línea de corte.

Nunca cruce de carreteras o caminos cuando se conecta la herramienta.

Nunca corte contra objetos duros como la piedra, etc. B esta manera a evitar lesiones y daños a la herramienta. Nunca utilice la herramienta sin las protecciones instaladas. Nunca use las manos para detener el dispositivo de corte. Siempre espere hasta que se detenga por sí solo. Sujeción y orientación de la cabeza tan cerca del aparador de suelo.

Sólo cortar la hierba que crece en el suelo. No cortar el césped en las grietas de las paredes, en crecimiento o piedras, etc.

Asegúrese siempre de que no haya objetos u otros desechos están recogiendo el cabezal de corte, la cubierta protectora o el motor.

Sólo utilice la herramienta cuando está unido al guardia. Siempre desenchufe la herramienta antes de ponerla en el suelo.

Tenga en cuenta que no existe riesgo de lesiones en la zona de corte para el corte de la línea.

PRECAUCIÓN: La herramienta de corte sigue girando durante unos segundos después de que el motor ha sido desactivado.

Ponga la herramienta solamente después de sacar la herramienta de corte se haya detenido por completo y el motor.

Cuando la herramienta de corte está dañado, debe ser reemplazado inmediatamente.

Siempre use solamente la línea original. Nunca use un alambre de metal en lugar de la línea de nylon.

La herramienta y las herramientas de corte deben estar debidamente inspeccionados y mantenidos con regularidad. El daño debe ser reparado por un centro de servicio.

Utilice únicamente los accesorios recomendados por el fabricante.

Haga que su única herramienta reparados por personal cualificado y sólo con piezas de repuesto originales. Esto asegura que la herramienta para trabajar con seguridad en el futuro.

Montaje

Asegúrese de que todas las partes estén incluidas y eran dañado durante el transporte antes de montar.

1. Coloque la herramienta en posición horizontal con el motor hacia el suelo.
2. Aflojar el tornillo (19) (A1) y entrar en el tubo superior e inferior cortar el conector suministrado (A2).
3. Girar el trimmer tubo ligeramente inferior para encajar el pasador de retención (20) en el agujero del conector. A continuación, apriete el tornillo de sujeción.
4. Para retirar, afloje el tornillo de sujeción, empuje el pasador de retención y tire del condensador de ajuste del tubo delantero (A4).

Manillar

El diseño del cepillo de aceite de corte permite la operación en el lado derecho del cuerpo del usuario.

- Colocar la mayor de resorte (24) en la parte inferior del soporte giratorio (23). (B3-2)
- Pulse el resorte más pequeño (25) en el soporte giratorio superior (23). (B3-3)
- Coloque la barra de soporte (2) en la ranura de la pieza giratoria (23). (B3-4)
- Conectar y cierre la cubierta de la base (26) y del eje de giro (23) usando los ganchos de la cubierta del soporte (B3-5).
- Colocar la palanca de tornillo (1) a través de la cubierta de soporte (26) y la rueda loca (23). (B3-6)
- Coloque el soporte de montaje en la base de soporte (22) y apriete ligeramente el tornillo de la palanca (1) (B3-7 y B3-8)
- Fije la barra en el ángulo de funcionamiento y apretar la palanca de tornillo (B3-9).

Al almacenar la herramienta, se puede aflojar un poco el tornillo de la palanca y girar el manillar en paralelo con el eje principal para ahorrar espacio de almacenamiento. (B4-1 y B4-2)

línea de montaje de casete

Para evitar el riesgo de un arranque no desea del motor , retire la bujía.

RIESGO DE LESIONES



PRECAUCIÓN: Use siempre guantes de protección cuando se trabaja con y alrededor de las herramientas de corte.

La gasolina de corte con cuchilla se suministra con la cuchilla de corte adjunto (11) y la protección asociada (12).

**E
S**

Para utilizar la cuchilla de corte como cortadora de césped de la gasolina, que se debe montar una protección adecuada (12) y la bobina de la línea (13). La protección de la corte puede ser instalado como B5-1 y B5-2 imágenes.

- Utilice un destornillador o una llave Allen (14) para fijar el eje del aceite cortador de cepillo en el lugar deseado (B6) por medio de una tuerca de seguridad.
- Utilice la llave hexagonal suministrada (15) para liberar El tornillo de cabeza hexagonal para la fijación de la cuchilla de corte (B7) girando en sentido horario.
- Retirar el perno hexagonal, arandela de seguridad y la cuchilla de corte del disco de retención (B8). Mantenga estas partes en un lugar seguro.
- Fijar la pieza de bloqueo (B9).
- Utilice un destornillador o una llave Allen suministrada para fijar el eje de la cuchilla de corte de gasolina La posición deseada mediante una tuerca (B10).
- Tornillo de la cassette del hilo (13) en el eje en sentido antihorario (B10).

PRECAUCIÓN: El tornillo de fijación a la izquierda de la cuchilla de corte.
Para evitar el riesgo de un arranque no deseado del motor, retire el enchufe de la bujía.

RIESGO DE LESIONES



PRECAUCIÓN: Use siempre guantes de protección cuando se trabaja con y

alrededor de las herramientas de corte.

La cuchilla de corte debe afilarse periódicamente de acuerdo con las instrucciones. suelta de corte de bordes puntiagudos o romas, pueden provocar una sobrecarga de la herramienta.

RIESGO de Grietas y huecos

fragmentos liberados de distancia de la herramienta de corte pueden causar lesiones de extrema gravedad.

Para utilizar la cuchilla de corte de gasolina motorizado, una protección adecuada y la cuchilla de corte se deben unir.

- Utilice un destornillador o una llave Allen suministrada para fijar el eje de la cuchilla de corte de gasolina En el lugar deseado por una tuerca de seguridad. Ahora quite el casete línea (13) del eje girándolo hacia la derecha (B11).
- Coloque la cuchilla de corte (12) en la pieza de bloqueo.
- Colocar el disco de retención (lado observado) y el anillo de bloqueo de la cuchilla de corte (11) (B13).
- Utilice un destornillador o una llave Allen suministrada para fijar el eje de la cuchilla de corte de gasolina En el lugar deseado por una tuerca de seguridad. Atornillar el tornillo hexagonal en el eje hacia la izquierda, y el uso de la llave hexagonal (15) para apretar el tornillo (B14).

PRECAUCIÓN: Rosca Izquierda cinta Juego de Transporte La gasolina cuchilla de corte debe ser utilizado con una correa de transporte (17).
La gasolina cuchilla de corte debe ser utilizado con una correa de transporte (17).

En primer lugar, el cortador de cepillo de equilibrio de aceite cuando la herramienta está apagado.

- Utilice la correa de hombro (17).
- Ajustar la longitud de la manera de manejar el gancho de presión es de aproximadamente una parte por debajo de la cadera derecha. (B15)

- Montar la cuchilla de corte de gas en el gancho de presión.

B - Que la rotación cuchilla de corte.

Cuando está de pie en una posición normal de trabajo, la herramienta de corte debe apenas tocar el suelo (B16).

- Se puede usar una llave Allen para aflojar el apoyo, si es necesario, y se mueven hacia adelante o hacia atrás. Por lo tanto, es importante que la desbrozadora de aceite es siempre bien equilibrado (B17).

Para la operación, encienda la desbrozadora de gasolina en el gancho de la cinta transportadora de presión mientras el motor está en marcha.

Combustible

Use solamente una mezcla regular de la gasolina sin plomo y 2 veces especiales de aceite de motor en una proporción de mezcla de 40: 1.

Precaución: No utilice cualquier otra relación de mezcla y no utilice gasolina pura.

No utilice combustible de más de 2-3 meses. Vaciar el depósito de la hora de tomar descansos más largos y recarga antes del inicio de los trabajos.

Mezcla de gas

4,0 litros de gasolina y 100 ml de aceite de motor especial 2 veces (la estación de llenado)

- Llenar 4,0 litros de gasolina en un depósito de combustible con 100 ml de aceite de motor de 2 tiempos y mezclar tanto agitando enérgicamente el tanque.

- Llenar el combustible en el tanque y cierre la tapa.

El llenado de gasolina

- Girar lentamente la tapa del depósito para abrirlo, por lo que la presión de vapor y la gasolina puede escapar de una manera no peligrosa.

- Use un embudo para llenar el aceite 2 veces mezclado con gasolina en una proporción de 40: 1, y apretar el tapón.

Cuando arranque del motor es frío

- Poner la hoja de corte de combustible de manera segura en el suelo.

- El depósito de combustible y el protector de corte se utilizan como apoyo.

- Asegúrese de que la herramienta de corte no entre en contacto con el suelo o cualquier otro objeto (B18).

- Mueva el interruptor de control (4) en la palanca de control (B19).

- Mueva la palanca del estrangulador (B20) hacia arriba:

- Presione la válvula de inyección y la ejercerá hasta la tubería de gas transparente para llenar con gasolina (B21).

- Use la mano derecha para apretar la palanca de accionamiento (3). De este modo, desbloquear el dispositivo de bloqueo (5) del control del acelerador (B22), presionando fuertemente el acelerador (6).

- Al mismo tiempo, presione el botón de bloqueo (18) (B23).

- Mantenga pulsado el botón de bloqueo (18) y suelte el acelerador (6) y el dispositivo de bloqueo (5). De este modo, el botón de bloqueo (18) se mantiene presionado hacia abajo automáticamente.

- Tomar una posición estable.

Use su mano izquierda para mantener la desbrozadora aceite fuertemente presionada hacia abajo (B24).

PRECAUCIÓN: Nunca ponga el pie en el eje o de rodillas ella.

- Tire de la cuerda de arranque totalmente 3-5 veces (B24).

- Mueva la palanca del estrangulador (B25) hacia abajo:

- Tire de la cuerda de arranque con rapidez y fuerza al extremo del cable varias veces hasta que arranque el motor.



-RECAUCIÓN - ADVERTENCIA: El motor arranca a la mitad.

La aceleración y la herramienta de corte rotativo.

Mantenga el motor en marcha durante unos segundos.

Cuando el acelerador es oprimido, el botón de bloqueo se apagará automáticamente. El motor regresa a ralentí. La herramienta de corte se detiene después de varios segundos.

Apagar el motor

- Deje que el motor regrese a ralentí sin pisar el acelerador.
- Coloque el interruptor de control (4) en la palanca de control en el "STOP" posición (B26).



PRECAUCIÓN. La herramienta de corte continúa girando durante varios segundos Off. Mantenga los dos mangos hasta que la herramienta de corte alcanza el punto final.

E
S

Arranque con el motor caliente

- Esto es similar a arrancar un motor en frío. En este caso, el nivel del acelerador está siempre en la posición inferior (B25).

Trabajando con la desbrozadora

- Al trabajar con la desbrozadora de petróleo Por primera vez, familiarizarse con el funcionamiento y el control de la cuchilla de corte de gasolina con el motor parado.
- El diseño del cepillo de aceite de corte permite el funcionamiento sólo en el lado derecho del cuerpo del usuario.
- Siempre use las dos manos para sostener la cuchilla de corte se encarga de la gasolina.
- Use su mano derecha para sostener la palanca de operación y su mano izquierda para sostener el mango tubo del mango.
- Siempre tenga en cuenta que la herramienta de corte sigue girando por un corto tiempo después de soltar el acelerador.
- Asegúrese siempre de que el motor está en marcha lenta para que la herramienta de corte no gire más, cuando se presiona el acelerador.
- Utilizar siempre la velocidad más alta para el trabajo, de esta manera se obtiene los mejores resultados de corte.

Si se golpea una roca o un árbol durante el trabajo, apagar el motor e inspeccione la desbrozadora aceite de dañar.

Precaución: Cuando se trabaja en un área difícil y en pendientes, siempre por debajo de la cabeza de corte.

Siempre use gafas de seguridad y protección para los oídos, y un casco de seguridad mientras se trabaja en un bosque.

Utilizando el cabezal de corte para cortar

Utilizar la línea de cinta de plástico para un corte limpio También bordes irregulares, postes de vallas y árboles.

- Proceder con precaución la línea de corte hasta que un obstáculo y el uso de la punta de la línea a cortar el obstáculo. Cuando la línea recorte El contacto con rocas, árboles y muros, la línea o se desgasta romper antes de tiempo. En este caso, puede ser Sucedió que el alambre desapareció en la carcasa del carrete la cuerda y la línea de corte de la transmisión automática no funciona más.

- La gasolina hoja de corte de la roca como una hoz normales horizontalmente de derecha a izquierda, de vuelta. Se establece la altura de corte, dependiendo de qué tan alto que está sosteniendo la herramienta.

- Nunca reemplace el hilo de nilón con un alambre.

RIESGO DE LESIONES

El uso de la cuchilla de corte para cortar

- Utilice el cortador de peinar a través de los bosques, el crecimiento de calificación, en las poblaciones de árboles jóvenes (Diámetro máximo del tronco 2 cm) y hierba alta.

- Ao usar ferramentas de corte de metal, há geralmente um risco de recuo, quando a ferramenta bate um obstáculo sólido (pedras, árvores, ramas, etc.). Por lo tanto, la herramienta se dispara posterior B en contra de

la dirección de rotación.

- Para cortar el crecimiento de la clasificación y de pino, que "sumerge" la hoja de corte de la parte superior.

PRECAUCIÓN: Tenga cuidado al usar esta técnica funcione, porque cuanto más la herramienta de corte es de tierra, mayor es el riesgo de que los objetos que se cortan y las partículas se liberan lateralmente.

- Peinar poblaciones de árboles jóvenes y Cortar la hierba, moviendo la herramienta como una guadaña por encima del suelo.

PRECAUCIÓN: El uso incorrecto y el mal uso puede dañar la desbrozadora y causar lesiones graves a causa de piezas lanzadas.

- Para minimizar el riesgo de accidentes con el uso de la cuchilla de corte, tome nota de los siguientes puntos:

- Madera o arbustos cuyo diámetro es mayor de 2 cm Nunca corte.

- Evitar el contacto con cuerpos metálicos, piedras, etc.

- Controlar periódicamente la cuchilla de corte por daños.

Nunca continuar utilizando una cuchilla de corte dañada.

- Cuando la cuchilla de corte se vuelve romo al parecer debe ser afilada de acuerdo con las instrucciones.

Cuando la cuchilla de corte es aparentemente fuera de equilibrio, debe ser reemplazado.

El corte automático de alimentación de línea

Para extender la línea de corte (22), haga funcionar el motor a toda velocidad y toque en el carrete de hilo en el suelo. Esto extenderá automáticamente la línea. La cuchilla en el protector cortará la línea a la longitud permitida.

Sustitución de la línea de la línea del carrete / ablación

-Distinguir Línea. Pulse el carrete y remover a la mitad de la caja (B27-1 y B27-2) ..

- Retirar la placa de carrete (k) de la carcasa de la línea del carrete (B28).

-

Coloque la nueva línea de corte en el centro y colgar la lazo que se forma en el rebaje separador de bobina (B29).

-Verse La línea en la dirección hacia la izquierda y bajo tensión. la pestaña carrete de separar las dos mitades de la línea (B30).

- Tomar los últimos 15 cm de los dos extremos de la línea sobre la oposición apoya la línea de la bobina (B31).

- Pasar los dos extremos de la línea a través de los ojales

metal en la carcasa de la línea del carrete (B28).

: Pulse la placa de carrete en la carcasa de la bobina línea.

La línea de dos tirón termina abruptamente a liberarlos de los titulares de la línea.

Piezas de fundición -Juntar nuevo

-Contar Exceso de línea a una longitud de cerca de 13cm. Esto reducirá la carga en el motor para iniciar y el calor.

-Reponha El carrete de hilo.

PRECAUCIÓN: Al utilizar la máquina, evite el contacto con los bordes, piedras y otros objetos duros, ya que la línea de corte.

La línea de compensación automática deja de funcionar. En este caso, proceder de acuerdo a Pts. 1-11 "Sustitución de la línea de la línea del carrete / corte."

Cuidado y mantenimiento

Lubricación de engranajes

Compruebe la grasa lubricante llenar cada 25 horas de funcionamiento.

- Utilice una llave Allen para quitar el tornillo tapón de funcionamiento (B32).

Cuando no se puede ver ninguna grasa sobre el perno, llenar con aprox. 5 g de grasa lubricante (Tienda de bricolaje) en la carcasa de la caja de cambios y cerrar la abertura del filtro nuevo.

Recuerde que la carcasa del cambio no debe estar completamente lleno de lubricación con grasa.

Filtro de aire

Después de trabajar durante más tiempo, usted debe limpiar el aire.

Filtro. El polvo y filtro de polen se conectan los poros de plástico espumado.

- Retirar la tapa (B33) y lavar el filtro (B34) en agua con jabón suave. Precaución: No use gasolina o disolvente.

- Secar el filtro antes de volver a insertarla.
- No es para acortar la vida del motor, un filtro de aire dañado debe ser reemplazado inmediatamente.
- Ajuste de la bujía
- Verificar el entrehierro de la bujía de encendido al menos una vez al año o cuando el motor empieza mal. El juego correcto
- Entre el punto de ignición y el contacto de encendido es de 0,25 " / 0,63 mm (B35).

- Esperar hasta que el motor se haya enfriado por completo.

- Aflojar el tornillo y quitar la tapa de plástico (B36-1).

- Tire de la tapa de la bujía (B36-2) de la bujía y el uso de la
- Retirar la bujía girando (B37).

- Cuando el electrodo está muy desgastado o muestra una fuerte ensuciamiento de la bujía debe ser sustituida por una forma equivalente.

- Un fuerte contaminación de la bujía puede ser causada por: La cantidad de aceite es muy alta en la mezcla de la gasolina, el aceite de mala calidad, mezcla de gasolina de edad, o el filtro de aire obstruido.

- Enroscar la bujía con la mano por completo el hilo. (Evitar el atasco)

- Use la bujía clave proporcionada para apretar la bujía.

- Cuando se utiliza una llave de torsión, el par de apriete es de 12-15 Nm.

- Conectar correctamente el enchufe de la bujía para tapar.

Línea de corte

- Cuando la línea de corte ya no es cortada

Durante la alimentación, utilice una multa volver a afilar filo (B38). Presentar en una dirección y Especificada.

Limpieza

Utilice un paño húmedo para limpiar las piezas de plástico.

No utilice limpiadores, solventes o objetos cortantes.

Durante el transcurso de la obra, la hierba húmeda y malas hierbas que rodean el eje
Por razones técnicas. Eliminar este, de lo contrario el motor se sobrecaliente debido al exceso de fricción.

Controles periódicos

enga en cuenta que las siguientes especificaciones se refieren al uso normal. Debido a las circunstancias (Períodos más largos de trabajo diario, la exposición polvo severa, etc.), los intervalos especificados si convertirse en consecuencia menor.

Antes del inicio de los trabajos y después de repostar: Compruebe que las herramientas de corte están bien basado, inspección general, afilar la cuchilla de corte (También, si es necesario).

inspección semanal: Caja de cambios Lubricación (También, si es necesario).

Si es necesario: Apriete los tornillos y tuercas entorno accesible.

Va a evitar un desgaste excesivo y daños de herramienta cuando se siguen las instrucciones de este manual.

El usuario es responsable de todos los daños

al no observar las instrucciones de este manual.

Lo mismo se aplica a la herramienta de modificación no autorizada, el uso de piezas de recambio no autorizado, a los accesorios, herramientas para trabajar, el uso no relacionado y no previstos, el daño secundario debido a la utilización de componentes defectuoso.

PIEZAS DE DESGASTE

Incluso cuando se utiliza según lo previsto, algunos componentes están sujetos a desgaste normal. Ellos deben ser reemplazados en función de la duración del uso. Estas partes incluyen, entre otros, la herramienta de corte y el disco de retención. Almacenamiento / Inverno

Debe cumplir con los siguientes pasos, de modo que la cuchilla de corte del retorno de gas para funcionar sin problemas después de un largo período de tiempo:

- Vaciar el depósito de combustible.
 - Arrancar el motor y dejarlo funcionar hasta que se detenga.
 - Cuando el motor se haya enfriado, retire la bujía.
 - Llenar una pequeña cucharadita de mezcla de 2 veces en la apertura de la bujía y tire lentamente de la cuerda de arranque varias veces. Por lo tanto, los depósitos de hollín son expulsados y el pistón y el cilindro están lubricados.
 - Controlar la bujía y sustituirla cuando el Spark se quema demasiado.
 - Mantenga la cuchilla de corte de gasolina un lugar seco, que no está sujeta a riesgo de incendio.
- Reinicie después de los descansos más largos
1. Retire la bujía.

2. Tire de la cuerda de arranque varias veces para eliminar el aceite y los depósitos en el compartimento del motor.

3. Controlar la bujía y, si es necesario, vuelva a cargar de nuevo.

- Llenar el depósito de combustible con una mezcla de 2 tiempos de 40: 1.

- Arrancar el motor como se describe en "Arranque con el motor frío."

Especificaciones

Tipo del motor:	refrigerado a aire 2 tempos Max.
Potência de saída:	1,4 kW
Capacidade del piston:	51,2 cm ³
Velocidad de marcha luenta:	3400 min ⁻¹
Velocidad del engate embraiaada:	4900 min ⁻¹
Max velocidad del motor:	9000 min ⁻¹ (grass trimmer) 10500 min ⁻¹ (brush cutter)
Diametro de corte:	430 mm (grass trimmer) 255 mm (brush cutter)
Consumo especifico de combustible:	684 g/kWh
Volume del depósito:	850 ml
Peso:	7,8 kg, empty
Tamanho del hilo:	Ø 2,4 mm
Bujia de ignicion:	LBRTC(Torch)

Nível de pression sonora L_{PA}:

96.2 dB(A), K=3 dB(A) (grass trimmer)
97.2 dB(A), K=3 dB(A) (brush cutter)

Nível de potência sonora L_{WA}:

109.2dB(A),K=3dB(A) (grass trimmer)
108.4dB(A),K=3dB(A) (brush cutter)

Vibracion: 8,484 m/s² K=1,5 m/s² (grass trimmer)
6,243 m/s² K=1,5 m/s² (brush cutter)

Descripción general de componentes de la herramienta (A1)(B1)

1. Tornillo de fijación para el soporte del pasamanos
2. manillar
3. mango operativo
4. Interruptor de Operación
5. Dispositivo de bloqueo
6. Palanca del acelerador
7. Suspensión Arneses
- Protección tubo de escape 8.
9. motor
- Tanque de combustible 10.
11. cuchilla de corte
12. Guardia de corte
13. Trimmer
14. Llave Allen
15. llave de bujías de encendido
16. Tanque de gasolina de mezcla
17. Correa
18. Botón de bloqueo
19. tornillo de bloqueo
20. pasador de retención
21. Línea de corte
22. Base Soporte
23. Base giratoria
24. fuentes de arriba
25. muelle inferior
26. Soporte de la cubierta

E
S

Problema	Causa possível	Solução de problemas
El motor se para.	Carburador mal	Tener el carburador ajustado por un técnico.
La herramienta se inicia, pero el motor tiene poca potencia.	configurado incorrectamente palanca del acelerador El filtro de aire está sucio Carburador mal	Cambie para † Retire el filtro de plástico espumado, lavar con agua y jabón y vuelva a introducirla en estado seco. Tener el carburador ajustado por un técnico.
La herramienta no arranca o arranca pero no se ejecuta .	procedimiento incorrecto al iniciar el ajuste del carburador incorrecto La bujía está llena de hollín filtro de gas conectado	Siga las instrucciones de "Arranque con el motor frío 1-8." Tener el carburador ajustado por un técnico. Limpie la bujía, corregir la brecha o reemplazar la bujía.Cambiar el filtro de la gasolina
El motor funciona de forma irregular.	aire fallado bujía incorrecta bujía quemado	Limpie la bujía, corrija el entrehierro, es ideal 0,25 " / 0,63 mm, o reemplace la bujía.
emisión de humo excesivo.	aire incorrecta de la vela de la bujía de encendido no quemado	Tener el carburador ajustado por un técnico. Vaciar el tanque, llene la mezcla correcta: mezclar 2 tiempos de 40: 1.

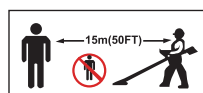
Uwagi dotyczące bezpieczeństwa



Przeczytaj instrukcję obsługi przed użyciem



Uważaj na odłamki wyrzucane w kierunku cięcia.



Upewnij się, że minimalna odległość 15 metrów jest zachowana pomiędzy urządzeniem, a innymi osobami, podczas pracy!



Zakładaj zatwierdzoną ochronę uszu, kask i okulary ochronne!



Zakładaj solidne i antypoślizgowe buty!



Zakładaj wysokiej jakości i wytrzymałe rękawice!



Zakładaj wysokiej jakości i wytrzymałe ubrania robocze!



Spaliny wydzielane są trujące i posiadają efekt duszący!



Uwaga ryzyko pożaru! Benzyna i jej opary są bardzo łatwopalne!



Zawsze używaj masek ochronnych podczas pracy z materiałami tworzącymi kurz.



Emisja hałasu zgodna z Dyrektywą 2000/14/EC!



Uwaga. Gorące części. Zachowaj odległość.



Nie używaj tarcz pilarek razem z tym urządzeniem.



Podczas startu na zimno ustaw dźwignię ssania na **II**, zamknij ssanie. Podczas startu na ciepło ustaw dźwignię ssania na otwórz ssanie

Drogi Kliencie,
Gratulujemy zakupu podcinarki spalinowej.



Dokładnie przeczytaj niniejszą instrukcję przed uruchomieniem silnika. Niewłaściwe użytkowanie może spowodować obrażenia osób i zniszczenie własności. Osoby niezaznajomione z niniejszą instrukcją nie mogą pracować z urządzeniem. Prosimy przechowywać niniejszą instrukcję w bezpiecznym miejscu. Dzieci i młodzież poniżej 16 roku życia nie mogą używać narzędzia. Młodzież powyżej 16 roku życia może używać narzędzia pod nadzorem osoby wyszkolonej.

Właściwe użycie

W zależności od podłączonego narzędzia tnącego, podcinarka służy do przycinania trawników, trawy, zarośli i krzaków i małych drzew na prywatnym terenie. To narzędzie nie będzie używane do jakichkolwiek innych celów. Producent nie jest odpowiedzialny za jakiekolwiek niewłaściwe użycie lub jakiekolwiek modyfikacje silnika. Zastosuj się do uwag dotyczących bezpieczeństwa, montażu i instrukcji i dodatkowo do zasad zapobiegania wypadkom.

Uwagi dotyczące bezpieczeństwa

Upewnij się, że żadne osoby lub zwierzęta nie znajdują się w bliskiej odległości od pracy urządzenia (minimalna odległość 15m) Cięża i wyrzucana trawa może zawierać

obce przedmioty takie jak kamienie. Jesteś odpowiedzialny za bezpieczeństwo w miejscu pracy i jesteś odpowiedzialny za szkody w ludziach i mieniu.

Niedozwolone jest ani uruchamianie ani użycie podcinarki spalinowej w pobliżu osób lub zwierząt.

Nie używaj urządzenia kiedy jesteś zmęczony lub nieskoncentrowany lub jeśli jesteś pod wpływem alkoholu lub leków.

Brak uwagi może doprowadzić do poważnych obrażeń.

P Zakładaj zatwierdzone okulary ochronne.

L Zakładaj zatwierdzone zatyczki do uszu.

Zakładaj wysokiej jakości rękawice ochronne.

Zakładaj wysokiej jakości ochronne buty antypoślizgowe ze stalowymi zakończeniami. Nigdy nie obsługuj narzędzia w sandałach lub boso.

Zawsze zakładaj kask bezpieczeństwa do pracy w lesie.

Nie zakładaj grubej odzieży i biżuterii.

Zakładaj długie spodnie aby chronić nogi.

Zakładaj kask jeśli nosisz długie włosy.

Luźne ubrania, biżuteria i długie włosy mogą zostać wciągnięte przez części ruchome.

Zakładaj właściwe i wytrzymałe ciasne ubrania robocze.

Utrzymuj części ciała i ubrania z dala od narzędzia tnącego kiedy uruchamiasz silnik lub kiedy urządzenie działa.

Upewnij się, że stoisz w stabilnej i bezpiecznej pozycji podczas pracy. Unikaj cofania się z narzędziem gdyż grozi to ryzykiem potknięcia. Unikaj nienaturalnych postur.

Kiedy urządzenie działa od wielu godzin, może to powodować zaburzenia krążenia z powodu wibracji

(choroba Raynauda). W takim przypadku niemożliwe jest określenie długości pracy, będzie się to różniło w zależności od osoby. Niniejsze czynniki mogą mieć wpływ na to zjawisko: zaburzenia krążenia w rękach osoby obsługującej, niska temperatura zewnętrzna, długa praca z urządzeniem. Dlatego zaleca się zakładać ciepłe rękawice ochronne i robić przerwy w równych odstępach.

Spaliny z silników spalinowych są trujące i mogą doprowadzić do uduszenia. Nie wolno używać urządzenia w zamkniętych i słabo wentylowanych pomieszczeniach.

Uzupełniaj paliwo tylko na zewnątrz albo w dobrze wentylowanych pomieszczeniach.

Benzyna i jej opary są bardzo łatwopalne. Trzymaj z dala od materiałów łatwopalnych i źródeł zapłonu, takich jak kuchenki i piece.

Nie pal papierosów podczas uzupełniania paliwa lub podczas pracy z urządzeniem.

Natychmiast zetrzyj rozlane paliwo.

Uruchamiaj narzędzie w miejscu oddalonym od miejsca uzupełniania paliwa.

Zawsze upewnij się korek wlewu paliwa jest dobrze zamknięty. Uważaj na możliwe wycieki.

Kiedy silnik działa lub jest bardzo gorący, nie wolno otwierać korka wlewu paliwa lub uzupełniać paliwa.

Otwieraj korek wlewu paliwa powoli tak aby opary mogły uciec.

Upewnij się, że uchwyty są suche, czyste i nie znajduje się na nich paliwo pomieszane z olejem.

Nie używaj narzędzia bez rury wydechowej i kiedy ochrona rury wydechowej nie jest właściwie podłączona.

Nie dotykaj rury wydechowej, istnieje ryzyko poparzenia. Używaj tylko paliwa rekomendowanego w instrukcji obsługi. Przechowuj benzynę w pojemnikach do tego przystosowanych i przechowuj w bezpiecznym miejscu.

Podczas cięcia na zboczach, zawsze stój poniżej narzędzia.

Zawsze upewnij się, że żadne przedmioty lub inne odłamki nie zbierają się w głowicy tnącej, osłonie lub w silniku.

Zawsze wyłączaj urządzenie zanim je odłożysz.

Nie używaj żadnych przewodów lub czegokolwiek podobnego w szpuli z linką.

Pracuj tylko w ciągu dnia lub kiedy miejsce jest dobrze oświetlone sztucznym światłem.

Dokonuj wizualnej inspekcji urządzenia przed każdym użyciem.

Sprawdzaj czy wszystkie śruby i części łączące są przykręcone.

Zawsze używaj dwóch rąk aby trzymać narzędzie.

Sprawdzaj narzędzie i jego komponenty i osłony pod kątem uszkodzeń i zużycia przed każdym użyciem i naprawiaj jeśli potrzeba. Nigdy nie powoduj, że urządzenia ochronne nie nadają się do obsługi. Nie używaj narzędzia, kiedy uszkodzenia lub oznaki zużycia stają się widoczne.

Utrzymuj narzędzia czyste i w pełni działające aby zapewnić lepszą i bezpieczniejszą pracę.

Zawsze utrzymuj bezpieczną odległość pomiędzy narzędziem, a twoim ciałem podczas pracy.

Zawsze wyłączaj urządzenie kiedy praca jest przerywana lub kiedy zmieniane jest miejsce pracy; poczekaj aż narzędzie całkowicie się zatrzyma i wyłącz silnik.

Nigdy nie zostawiaj urządzenia bez nadzoru w miejscu pracy. Trzymaj narzędzie w bezpiecznym miejscu kiedy praca będzie przerywana.

Osoby operujące urządzeniem nie mogą być rozpraszone gdyż mogą utracić kontrolę nad urządzeniem.

Nie używaj urządzenia podczas deszczu, w wilgotnym i mokrym środowisku i nie przechowuj na zewnątrz.

Jeśli urządzenie będzie mokre, poczekaj do jego całkowitego wyschnięcia zanim je ponownie użyjesz.

Przed rozpoczęciem pracy, zaleca się sprawdzić otoczenie i usunąć z niego obce przedmioty. Jeśli pomimo tego natrafisz na obcy przedmiot podczas cięcia, wyłącz urządzenie i usuń ten przedmiot.

Jeśli urządzenie się zablokuje przez obcy przedmiot (kamień, kępka trawy), wyłącz je i usuń przedmiot używając tępogo narzędzia. Nigdy nie używaj palców aby usunąć obce przedmioty, gdyż może to spowodować poważne obrażenia.

Zawsze utrzymuj włączone narzędzie z dala od ciała.

Uwaga: urządzenie dalej działa przez krótki czas po jego wyłączeniu!

Nie przeciążaj silnika, nie używaj narzędzia do pracy do której nie jest ono przystosowane.

Upewnij się zawsze, że otwory wentylacyjne są wolne od zabrudzeń.

Przechowuj urządzenie poza zasięgiem dzieci.

Przechowuj urządzenie w bezpiecznym i suchym miejscu.

Sprawdzaj silnik pod kątem uszkodzeń po uderzeniu, lub innych uszkodzeniach.

Utrzymuj części ciała i ubranie z dala od głowicy tnącej, kiedy uruchamiasz silnik lub kiedy silnik pracuje.

Zawsze miej na uwadze, że zwłaszcza podczas przycinania krawędzi trawnika, miejsc ze ściżem i podobnych miejsc, kamienie i brud mogą być wyrzucane z linii cięcia.

Nigdy nie przechodź przez drogi lub ścieżki kiedy narzędzie jest włączone.

Nigdy nie tnij twardych przedmiotów takich jak kamienie itd.

W ten sposób unikniesz obrażeń i szkód w narzędziu.

Nigdy nie używaj narzędzia bez podłączonej osłony.

Nigdy nie używaj swoich rąk aby zatrzymać element tnący.

Zawsze czekaj aż urządzenie się samo zatrzyma.

Trzymaj i kieruj głowicę tnącą tak blisko podłoża jak to możliwe.

Przycinaj tylko trawę rosnącą w ziemi. Nie tnij trawy w pęknięciach ścian lub rosnącej na kamieniach itd.

Zawsze upewnij się, że żadne przedmioty lub inne odłamki nie zbierają się w głowicy tnącej, osłonie lub w silniku.

P
L

Używaj narzędzia tylko wtedy gdy podłączona jest osłona.

Zawsze wyłączaj urządzenie zanim je odłożysz.

Zawsze miej na uwadze, że istnieje ryzyko obrażeń w miejscu gdzie urządzenie przecina linię.

UWAGA: Urządzenie dalej się obraca kilka sekund po wyłączeniu silnika.

Odlóż narzędzie tylko wtedy kiedy część tnąca całkowicie się zatrzymała i silnik został wyłączony.

Jeśli część tnąca uległa uszkodzeniu, musi ona zostać natychmiast wymieniona.

Zawsze używaj tylko oryginalnej linki Nigdy nie używaj metalowego przewodu zamiast linki nylonowej.

Narzędzie i części tnące muszą być właściwie muszą być właściwie sprawdzane i okresowo serwisowane.

Uszkodzenia muszą być naprawiane przez centrum serwisowe.

Używaj tylko akcesoriów rekomendowanych przez producenta.

Serwisuj swoje urządzenie tylko przez wykwalifikowany personel i używaj tylko oryginalnych części zamiennych. To zapewni, że urządzenie będzie pracować bezpiecznie

w przyszłości.

Montaż

Przed montażem sprawdź czy wszystkie części są zawarte i czy nie zostały uszkodzone podczas transportu.

1. Umieść narzędzie poziom tak aby silnik leżał na ziemi.

2. Zwolnij obejmę śruby (19) (A1) i wstaw górną i dolną rurkę do dostarczonego łącznika (A2).

3. Lekko przekręć dolną rurkę wykaszarki aby umiejscowić zatyczkę (20) w otworze łącznika. Następnie zakręć zacisk.

4. Aby rozmontować, odkręć obejmę śruby wyciągnij zatyczkę i rozkręć rurkę na części (A4).

Uchwyty

Projekt wykaszarki spalinowej pozwala na pracę po prawej stronie ciała użytkownika.

- Włóż większą sprężynę (24) w dolną część mocowania obrotowego (23). (B3-2)

- Wciśnij mniejszą (25) sprężynę w górną część mocowania obrotowego (23). (B3-3)

- Włóż uchwyt (2) do gniazda mocowania obrotowego (23). (B3-4)

- Połącz i zamknij osłone mocowania (26) i mocowania obrotowego (23) używając haków na osłonie mocowania. (B3-5).

- włóż śrubę uchwytową (1) przez osłonę mocowania (26) i mocowania obrotowego (23). (B3-6)

- Włóż zmontowane mocowanie do podstawy mocowania(22) i lekko przykręć śrubę uchwytu (1). B3-7 i B3-8).

- Dostosuj uchwyt do kąta pracy i przykręć śrubę uchwytu. (B3-9)

Podczas przechowywania narzędzia możesz lekko odkręcić śrubę uchwytu i przekręcić uchwyt do pozycji równoległej do głównego uchwytu aby bezpiecznie

przechowywać urządzenie. (B4-1 i B4-2)

Montaż kasety z linką

Aby uniknąć ryzyka niechcianego włączenia silnika, wyciągnij świecę.

RYZYKO OBRAŻEŃ



UWAGA: Zawsze noś rękawice

ochronne podczas pracy z i w pobliżu urządzeń tnących.

Wykasarka jest wyposażona w ostrze tnące (11) i osłonę (12).

Aby używać ostrza jako wykaszarki, musi być zamontowana właściwa osłona (12) i szpula z linką (13) Osłona cięcia może być zamontowana jak na zdjęciach B5-1 i B5-2.

- Użyj śrubokręta lub dostarczonego klucza imbusowego (14) aby przymocować nasadkę wykaszarki w zamierzonym miejscu (B6) za pomocą przeciwnakrętki.

- Użyj dostarczonego klucza sześciokątnego (15) aby odkręcić śrubę sześciokątną celem dołączenia ostrza tnącego (B7) kręcąc ją zgodnie ze wskazówkami zegara.

- Wyjmij śrubę sześciokątną, uszczelkę blokującą i płytkę mocującą ostrze tnące (B8). Przechowuj te części w bezpiecznym miejscu.

- Dołącz część blokującą (B9).

- Użyj śrubokręta lub dostarczonego klucza imbusowego aby przymocować nasadkę wykaszarki w zamierzonym miejscu za pomocą przeciwnakrętki. (B10).

- Teraz przykręć kasetę z linką (13) do nasadki przeciwnie do ruchu wskazówek zegara (B10).

UWAGA: wąż lewoskrętny

Montaż ostrza tnącego

Aby uniknąć ryzyka niechcianego włączenia silnika, wyciągnij świecę.

RYZYKO OBRAŻEŃ



UWAGA: Zawsze noś rękawice

ochronne podczas pracy z i w pobliżu urządzeń tnących.

Ostrze tnące musi być okresowo ostrzone zgodnie z instrukcjami. Niewłaściwie naostrzone lub tępe krawędzie mogą powodować przeciążenie urządzenia.

RYZYKO PRZERWANIA I PĘKNIĘCIA

Wyrzucane fragmenty z narzędzia mogą spowodować bardzo ciężkie obrażenia

Aby używać ostrza wykaszarki zasilanej silnikiem, musi być zamontowana właściwa osłona i musi być zamontowane ostrze tnące.

- Użyj śrubokręta lub dostarczonego klucza imbusowego aby przymocować nasadkę wykaszarki w zamierzonym miejscu za pomocą przeciwnakrętki. Teraz wyciągnij kasetę z linką (13) z nasadki kręcąc zgodnie z ruchem wskazówek zegara (B11).

- Umieść ostrze tnące (12) w części blokującej.

- Umieść uszczelkę blokującą i płytkę mocującą na ostrze tnące (11) (B13).

- Użyj śrubokręta lub dostarczonego klucza imbusowego aby przymocować nasadkę wykaszarki w zamierzonym miejscu za pomocą przeciwnakrętki. Przykręć śrubę sześciokątną do nasadki przeciwnie do ruchu wskazówek zegara i użyj dostarczonego klucza sześciokątnego (15) aby dokręcić tę śrubę (B14).

UWAGA: wąż lewoskrętny

Montaż pasa nośnego

Wykasarka musi być używana z pasem mocującym (17).

Najpierw wyrównaj wykaszarkę kiedy urządzenie jest wyłączone.

- Zakładaj ramiączko (17).

P
L

- Wyreguluj długość pasa tak aby karabinczyk był mniej więcej jedną rękę poniżej prawego biodra (B15).

- Zawieś wykaszkarkę na karabińczyku.

- Pozwól aby wykaszkarka się bujała.
Kiedy stoisz w normalnej pozycji, wykaszkarka powinna prawie dotykać ziemi (B16).

- Możesz użyć klucza imbusowego aby poluźnić wspornik, jeśli potrzeba i przesunąć do przodu lub do tyłu. W ten sposób ważne jest że wykaszkarka jest zawsze dobrze wyważona (B17).

P
L

Podczas pracy zaczepl wykaszkarkę na karabińczyku pasa mocującego podczas gdy silnik pracuje.

Paliwo

Używaj tylko mieszanki benzyny bezołowiowej i specjalnego oleju silnikowego dla silników dwusuwowych w stosunku 40:1.

Uwaga: Nie używaj mieszanki w innym stosunku i nie używaj czystej benzyny.

Nie używaj jakiegokolwiek paliwa starszego niż 2-3 miesiące. Opróżnij bak kiedy urządzenie nie pracuje często i zatankuj przed rozpoczęciem pracy.

Mieszanka benzyny

4,0 litry benzyny i 100 ml specjalnego oleju silnikowego dla silników dwusuwowych

- Wlej 4,0 litry benzyny do pojemnika razem z 100 ml oleju silnikowego dla silników dwusuwowych i wymieszaj potrząsając energicznie pojemnikiem.

- Wlej paliwo do zbiornika i zakręć kurek.

Wlewanie benzyny

Powoli odkręć kurek aby go otworzyć, tak aby ciśnienie i opary benzyny mogły uciec w sposób niezagrażający.

- Użyj lejka aby wlać olej dla silników dwusuwowych wymieszany z benzyną w stosunku 40:1 i zakręć mocno kurek.

Odpalanie kiedy silnik jest zimny

- Umieść ostrze tnące wykaszkarki bezpiecznie na ziemi. Zbiornik paliwa i ostrze tnące są używane jako wspomaganie. Upewnij się, że wykaszkarka nie ma kontaktu ani z ziemią ani z innymi przedmiotami (B18).

- Włącz przełącznik (4) na uchwycie (19).

- Przesuń włącznik ssania do góry (B20):

- Nacisnij zawór wtrysku i przytrzymaj do momentu aż przezroczysty pojemnik wypełni się paliwem (B21).

- Użyj prawej ręki aby przycisnąć uchwyt (3). W ten sposób odblokujesz urządzenie blokujące (5) kontrolę przepustnicy (B22).

- Mocno naciśnij przepustnicę (6)

- W tym samym momencie naciśnij przycisk blokujący (18) (B23).

- Trzymaj przycisk blokujący (18) przyciśnięty i zwolnij przepustnicę (6) i urządzenie blokujące (5). W ten sposób przycisk blokujący (18) jest automatycznie wciśnięty.

- Ustal bezpieczną pozę.

- Użyj lewej ręki aby utrzymywać wykaszkarkę mocno docisniętą do podłoża (B24).

UWAGA: Nigdy nie stawiaj stóp na nasadce lub nie kłękaj na niej.

- Pociągnij kabel startowy całkowicie od 3 do 5 razy (B24).

- Przesuń włącznik ssania (B25) w dół:

- Pociągnij kabel startowy szybko i mocno do samego końca aż silnik odpali.

UWAGA – NIEBEZPIECZEŃSTWO Silnik odpala w połowie przyspieszenia wraz z narzędziem tnącym. Pozwól aby silnik

pracował przez parę sekund.



Kiedy przepustnica zostanie naciśnięta krótko, przycisk blokujący wyłączy się automatycznie. Silnik wróci pracy jałowej. Narzędzie tnące zatrzyma się po kilku sekundach.

Wyłączanie silnika

- Pozwól aby silnik wrócił do jałowej pracy bez naciskania przepustnicy.

- Przelącz włącznik (4) na uchwycie do pozycji „STOP” (B26).

OSTRZEŻENIE: Urządzenie tnące dalej się obraca kilka sekund po wyłączeniu silnika. Trzymaj obydwie uchwyty aż urządzenie tnące się całkowicie zatrzyma.

Włączanie kiedy silnik jest ciepły



- Jest bardzo podobnie jak podczas uruchamiania kiedy silnik jest zimny. W tym przypadku przepustnica zawsze musi być w pozycji dolnej (B25).

Praca z wykaszarką

- Kiedy pracujesz z wykaszarką po raz pierwszy, zapoznaj się z operowaniem i kontrolą ostrza tnącego bez włączania silnika.

- Projekt wykaszarki spalinowej pozwala na pracę po prawej stronie ciała użytkownika.

- Zawsze używaj obydwu rąk aby trzymać uchwyty wykaszarki.

- Używaj zawsze prawej ręki aby trzymać uchwyt i lewej ręki aby trzymać uchwyt wychodzący od rurki.

- Zawsze miej na uwadze, że urządzenie tnące dalej się obraca się przez chwilę po zwolnieniu przepustnicy.

- Zawsze zapewnij właściwy jałowy bieg silnika tak aby narzędzie tnące dalej się nie obracało kiedy przepustnica zostaje naciśnięta.

- Zawsze używaj najwyższej prędkości pracy urządzenia, w ten sposób osiągniesz najlepsze cięcia.

- Jeśli uderzysz w kamień lub drzewo, wyłącz silnik i sprawdź wykaszarkę pod kątem uszkodzeń. Uwaga: Podczas pracy w trudnych warunkach i na zboczach, zawsze stój poniżej głowicy tnącej. Zawsze zakładaj okulary ochronne i ochronę uszu, a także kask podczas pracy w lesie.

Używanie wykaszarki do cięcia

- Używaj kasety z plastikową linką do czystego cięcia jak również przy nierównych krawędziach, słupkach ogrodzenia i drzewach.

- Ostrożnie przesuwaj linkę tnącą w kierunku przeszkody i używaj końcówki linki do wykaszania dookoła przeszkody.

Kiedy linka wykaszarki wejdzie w kontakt z kamieniami, drzewami i ścianami, wówczas w czasie linka się zużywa lub pęka. W takim przypadku przędza znika w obudowie szpuli, a linka wykaszarki nie będzie pracować.

- Obracaj wykaszarką jak normalną kosą poziomo od prawej strony do lewej i z powrotem. Ty określasz wysokość cięcia w zależności od tego jak wysoko trzymasz urządzenie.

- Nigdy nie zastępuj nylonowej linki metalową.

RYZYKO OBRAŻEŃ

- Używanie wykaszarki do cięcia

- Używaj wykaszarki do wycinania zarośli, chwastów i młodych drzew (średnica pnia maks. 2cm), a także wysokiej trawy.

- Podczas używania metalowych narzędzi do wykaszania, istnieje ogólne ryzyko odskoczenia, kiedy narzędzie napotka solidną przeszkodę (kamienie, drzewa, gałęzie, itd.). W ten sposób narzędzie zostanie odrzucone do tyłu w kierunku odwrotnym do obrotu.

- Aby wycinać chwasty i zarośla, „zanurz” ostrze tnące z góry. W ten sposób wycinane rzeczy będą z przodu. UWAGA: Bądź szczególnie ostrożny podczas stosowania

tej techniki, ponieważ im wyżej urządzenie jest nad ziemią, tym wyższe ryzyko, że cięte rzeczy i odłamki będą wyrzucane na boki.

- Aby wycinać młode drzewa i trawę poruszaj narzędziem jak kosą w bliskiej odległości nad ziemią.

UWAGA: Niewłaściwe użycie może spowodować uszkodzenia wykaszarki i poważne obrażenia z powodu wyrzucanych odłamków.

- Aby zminimalizować ryzyko wypadków poprzez używanie wykaszarki, zastosuj się do następujących zasad:

- Nigdy nie wycinaj krzewów lub drzew, których średnica jest większa niż 2 cm.

- Unikaj kontaktu z metalem, kamieniami, itd.

- Okresowo sprawdzaj ostrze tnące pod kątem uszkodzeń.

- Nigdy nie kontynuuj pracy kiedy ostrze tnące jest uszkodzone.

- Kiedy ostrze tnące jest widocznie tępe, wówczas musi zostać naostrzone zgodnie z instrukcjami.

- Kiedy ostrze tnące jest wyraźnie chwiejne, musi zostać wymienione.

Automatyczne doprowadzanie linki tnącej

Aby wydłużyć linkę tnącą (22) silnik musi działać na najwyższych obrotach umieść linkę na ziemi. To automatycznie wydłuży linkę. Ostrze na osłonie przetrnie linkę do dopuszczalnej długości.

Wymiana szpuli/linki

- Rozmontuj szpulę. Przyciśnij szpulę i wyjmij jedną połowę obudowy. (B27-1 i B27-2)
- Wyciągnij szpulę (k) z obudowy szpuli (B28).

- Umieść nową linkę w środku zamontuj pętlę, którą uformowała się w przerwie w rozdzielaczu szpuli (B29).

- Nakręć linkę ruchem przeciwnym do wskazówek zegara i pod napięciem.
Rozdzielacz szpuli rozdzieli dwie połowy linki (B30).

- Zaczep ostatnie 15 cm dwóch końców linki na przeciwne uchwyty linki płytki szpuli (B31).

- Przewlec dwa końce linki przez metalowe oczka w obudowie szpuli (B28).

- Wciśnij płytę szpuli do obudowy szpuli.

- Pociągnij mocno dwa końce linki aby uwolnić je z uchwytów linki.

- Połącz części obudowy ponownie.

- Obetnij nadmiar linki do długości około 13cm. To zredukuje obciążenie silnika podczas uruchomienia i rozgrzania.

- Ponownie wstaw szpulę.

UWAGA: podczas pracy z urządzeniem prosimy unikać kontaktu z krawężnikami, kamieniami i innymi twardymi przedmiotami, ponieważ linka tnąca może się zerwać i urządzenie przestanie działać. W takim przypadku postępuj zgodnie z punktami 1-11 „Wymiana szpuli/linki”.

Konserwacja

Smarowanie przekładni

Sprawdź smarowanie co 25 godzin pracy.

Używaj klucza imbusowego aby odkręcić śrubę (B32).

- Kiedy nie widać smaru na śrubie uzupełnij około 5 g smaru (dostępny w każdym sklepie dla majsterkowicza) do kasety przekładni i zamknij ją.

Miej na uwadze, że kaseata przekładni nigdy nie powinna być w pełni wypełniona smarem.

Filtr powietrza

Po dłuższej pracy powinieneś wyczyścić filtr powietrza.

Pył i pył kwiatowy zatykają otwory filtra wykonanego z tworzywa piankowego.

- Zdejmij pokrywę (B33) i umyj filtr (B34) w wodzie z mydłem. Uwaga: nie używaj benzyny lub rozpuszczalnika.

- Wyszuszyć filtr zanim go wstawisz z powrotem.

Aby nie skracać życia silnika, uszkodzony filtr powietrza musi zostać natychmiast wymieniony.

Zmiana świecy zapłonowej

Sprawdź przerwę pomiędzy świecą zapłonową przynajmniej raz w roku lub wtedy kiedy silnik uruchamia się słabo. Prawidłowa przerwa pomiędzy świecą a kontaktem zapłonowym powinna wynosić 0,25*0,63 mm (B35).

- Poczekaj do momentu całkowitego wychłodzenia silnika.
- Odkręć śrubę i zdejmij plastikową pokrywę (B36-1)
- Zdejmij zatyczkę świecy zapłonowej (B36-2) i użyj dostarczonego klucza do świec zapłonowych aby wyciągnąć świecę (B37).
- Kiedy elektroda jest mocno zużyta pojawi się silna inkrustacja, świeca musi zostać wymieniona na nową. Silna inkrustacja świecy zapłonowej może być spowodowana przez: zbyt wysoką ilość oleju w mieszance benzyny, słabą jakością oleju, starą mieszanką benzyny lub zatkany filtr powietrza.
- Wykręć całkowicie świecę zapłonową ręką z gwintu (unikaj zablokowania jej)
- Użyj dostarczonego klucza do świec zapłonowych aby dokręcić świecę.
- Podczas używania klucza dynamometrycznego, obrót wynosi 12-15 Nm.

- Włóż gniazdo świecy zapłonowej prawidłowo na świecę.

Trymowanie za pomocą linki tnącej

- kiedy linka wykaszarki nie tnie już czysto podczas koszenia, użyj pilnika aby ponownie naostrzyć krawędzie tnące (B38). Ostrz w jednym kierunku pod określonym kątem.

Czyszczenie

Używaj wilgotnej szmatki aby czyścić plastikowe części.

Nie używaj żadnych środków czyszczących, rozpuszczalników lub ostrych przedmiotów. Podczas pracy, mokra trawa i chwasty będą owijać się wokół przewodnicy pod osłoną (z powodów technicznych). Usrń je inaczej silnik ulegnie przegrzaniu z powodu zbyt dużego tarcia.

Okresowa kontrola

Miej na uwadze, że następujące specyfikacje odnoszą się do normalnego użytkowania. Dzięki okolicznościom takim jak długie okresy pracy dziennej, wystawienie na działanie kurzu itd., określone przerwy będą odpowiednio krótsze. Przed rozpoczęciem pracy i po zatankowaniu: sprawdź czy narzędzie tnące są bezpiecznie ułożone, dokonaj ogólnej inspekcji wzrokowej, naostrz ostrze tnące (jeśli potrzeba).

Cotygodniowa inspekcja: smarowanie przekładni (również jeśli potrzeba).

Jeśli potrzeba: podkręć śruby i nakrętki.

Unikniesz nadmiernego zużycia i uszkodzenia narzędzia jeśli będziesz stosował się do zaleceń w niniejszej instrukcji.

Użytkownik jest odpowiedzialny za szkody powstałe w wyniku niezastosowania się do zaleceń w niniejszej instrukcji.

To również dotyczy nieautoryzowanych modyfikacji narzędzia, używania nieautoryzowanych części zamiennych, akcesoriów, narzędzi roboczych, niezwiązanego i nie zamierzonego użycia, późniejszych uszkodzeń z powodu użycia wadliwych komponentów.

Części podlegające zużyciu

Pomimo używania w prawidłowy sposób, niektóre elementy podlegają normalnemu zużyciu. Muszą zostać wymienione w zależności od długości użycia. Te części to między innymi narzędzie tnące i płytka mocująca.

Przechowywanie/zima

Powinieneś przestrzegać następujących kroków, tak aby wykaszarka znów działała bez problemów przez długi czas:

- Opróżnij zbiornik paliwa.

- Kiedy silnik się schłodzi, wyjmij świecę zapłonową.

- Wlej małą łyżkę mieszanki do silników dwusuwowych do otworu na świecę zapłonową i przeciągnij kabel startowy kilka razy. W ten sposób usuniesz sadzę a tłok i cylinder zostaną nasmarowane.
Sprawdź świecę zapłonową i wymień ją kiedy końcówka świecy jest zbyt mocno przepalona.

- Przechowuj wykaszkarkę w suchym miejscu gdzie nie podlega ryzyku pożaru.

Ponowne uruchomienie po długiej przerwie

1. Wyjmij świecę zapłonową.
2. Przeciągnij kabel startowy kilka razy aby usunąć olej i osady w przegrodzie silnika.
3. Sprawdź świecę zapłonową i wymień ją jeśli potrzeba i ponownie ją przykręć.
4. Uzpełnij zbiornik mieszanką do silników dwusuwowych w stosunku 40:1.
5. Włącz silnik jak opisano w punkcie „Rozruch kiedy silnik jest zimny”.

Specyfikacja

Rodzaj silnika: Silnik dwusuwowy chłodzony powietrzem
Moc maksymalna: 1,4 kW
Pojemność tłoka: 51,2 cm³
Prędkość na biegu jałowym: 3400 min⁻¹
Prędkość pracy sprzęgła: 4900 min⁻¹
Maks. prędkość silnika: 9000 min⁻¹(wykaszkarka)
10500 min⁻¹(podcinarka)
Średnica cięcia: 430 mm (wykaszkarka)
255 mm (podcinarka)
Konkretne zużycie paliwa: 684 g/kWh
Pojemność zbiornika: 850 ml
Waga: 7,8 kg pusty
Rozmiar linki: ø 2,4 mm
Świeca zapłonowa: L8RTC (Torch)
Poziom ciśnienia akustycznego:
96,2 dB(A), K=3 dB(A) (wykaszkarka)
97,2 dB(A), K=3 dB(A) (podcinarka)
Poziom mocy akustycznej:
109,2 dB(A), K=3 dB(A) (wykaszkarka)

108,4 dB(A), K=3 dB(A) (podcinarka)

Wibracje:

8,484 m/s² K=1,5 m/s²(wykaszkarka)
6,243 m/s² K=1,5 m/s²(podcinarka)

Przegląd elementów narzędzia (A1) (B1)

1. Śruba zaciskowa do uchwytu poręczy
2. Uchwyt
3. Uchwyt operacyjny
4. Przycisk operacyjny
5. Blokada
6. Przepustnica
7. Uprząż
8. Osłona rury wydechowej
9. Silnik
10. Zbiornik paliwo
11. Ostrze tnące
12. Osłona cięcia
13. Głowica wykaszarki
14. Klucz imbusowy
15. Klucz do świecy zapłonowej
16. Zbiornik mieszania paliwa
17. Ramiączko
18. Przycisk blokujący
19. Śruba blokująca
20. Zatyczka
21. Linka tnąca
22. Podstawa mocowania
23. Mocowanie obrotowe
24. Większa sprężyna
25. Mniejsza sprężyna
26. Osłona mocowania

Problem	Prawdopodobna przyczyna	Rozwiązanie
Silnik się zatrzymuje	Nieprawidłowa regulacja gaźnika	Technik musi wyregulować gaźnik
Narzędzie się uruchamia ale silnik ma mało mocy	Nieprawidłowa regulacja dźwigni ssania Zabrudzony filtr powietrza Nieprawidłowa regulacja gaźnika	Przełącz na I+II Wyjmij filtr wykonany z tworzywa piankowego, umyj wodą z mydłem i włóż z powrotem kiedy będzie suchy Technik musi wyregulować gaźnik
Narzędzie się nie uruchamia lub uruchamia się ale nie działa	Nieprawidłowa procedura podczas uruchamiania Nieprawidłowa regulacja gaźnika Świeca zapłonowa pełna sadzy Zapchany filtr paliwa	Zastosuj się do instrukcji w dziale „Uruchamianie kiedy silnik jest zimny 1-8”. Technik musi wyregulować gaźnik Oczyść świecę zapłonową, popraw odstęp powietrzny lub wymień świecę zapłonową. Wymień filtr paliwa
Silnik pracuje nieregularnie	Nieprawidłowy odstęp przy świecy zapłonowej Przepalona świeca zapłonowa	Oczyść świecę zapłonową, popraw odstęp powietrzny, idealny to 0,25"/0,63mm lub wymień świecę zapłonową
Nadmierna emisja dymu	Nieprawidłowy odstęp przy świecy zapłonowej Przepalona świeca zapłonowa	Technik musi wyregulować gaźnik Opróżnij zbiornik, napełnij właściwą mieszanką do silników dwusuwowych w stosunku 40:1

Tartalomjegyzék

Jelmagyarázat
Rendeltetészerű használat
Biztonsági utasítások
A berendezés alkotóelemeinek az áttekintése (A1)(B1)
Összeszerelés
Üzemanyag
Indítás hideg motornál
Motor leállítása
Indítás meleg motornál Munka a benzines fűkaszával
Karbantartás és ápolás
Műszaki adatok
Zavar és elhárítás
Környezetvédelem

H
U

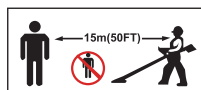
Symbolerklärung



Üzembe vétel előtt olvassa el a használati útmutatót!



Figyelem! Veszély elpattanó tárgyak által!



Ügyeljen arra, hogy a fűkasza és a környezetében lévő emberek között legalább 15 m-es távolságnak kell lenni!



Viseljen engedélyezett hallásvédőt, fejdőöt és védőszemüveget!



Viseljen csúszásvédő és ellenállóképes cipőt!



Viseljen jó és ellenállóképes kézkesztyűt!



Viseljen jó és ellenállóképes munkaruházatot!



Használat előtt nyomja meg a berendezés befecskendező pumpáját 10-szer, hogy megbizonyosodjon, hogy elegendő üzemanyag található-e a vezetékben.



A keletkező kipufogó gázok mérgezőek és fulladást okoznak!



FIGYELEM tűzveszély! A benzin és a benzingőzök könnyen gyúlékonyak!



Viseljen porvédő álarcot.



Garantált zajteljesítményszint.





Figyelem, forró felület! Ne érintse meg.



Ne használjon vágókorongot ezzel a berendezéssel!



Hideg indítás közben állítsa a szivató-kart a -ra a szivató zárásához. Meleg indításkor állítsa a szivató-kart a -ra a szivató nyitásához.

Kedves Vásárlónk, szívvel gratulálunk, hogy a benzines fűkaszáját vásárolta meg.



Ez a berendezés megfelel a belsőégésű motorok biztonsági előírásainak.

Figyelemesen olvassa át a használati útmutatót, mielőtt a gépet üzembe veszi. A figyelmen kívül hagyás személyi és anyagi károkhöz vezethet.

Azok a személyek, akik nem jártasak a használati útmutatóban, azok nem kezelhetik a berendezést. Gondosan őrizze meg ezt a használati útmutatót. Gyermeknek és 16 év alatti fiataloknak nem engedélyezett a berendezés használata. A 16 év fölötti fiataloknak csak képzett személy felügyelete alatt engedélyezett a használata.

Rendeltetésszerű használat

A benzines fűkasza a vágószerszám felszerelésétől függően fű, bozót, bokrok, cserjék és fiatal fák vágására alkalmas, privát területen. A fűkasza nem alkalmas ipari, vagy azzal egyenértékű használatra.

Az eszközt nem használhatják más célból.

A nem rendeltetésszerű használatért, valamint a gépen való változtatásért a gyártó nem vállal semmiféle felelősséget.

Ügyeljen a biztonsági utasításokra, az összeszerelési és kezelési utasításokra, valamint az általánosan érvényben lévő balesetmegelőzési előírásokra.

Biztonsági utasítások

Ügyeljen arra, hogy ne legyenek emberek és állatok a munkaterület közelében (legalább 15 m). A vágott és felkavart fűben idegentestek, mint pl. kövek találhatóak. A munkaterületén Ön viseli a felelősséget és Ön vonható felelősségre a személyek és tárgyak sérüléseiért.

A benzines fűkasza nem indítható el és nem használható emberek és állatok közelében.

Ne használja a fűkaszt, amennyiben Ön fáradt, vagy nem tud koncentrálni, vagy a reakcióképessége az alkohol, vagy gyógyszerek által befolyásolt. A figyelmetlenül súlyos sérülésekhez vezethet.

Használjon engedélyezett védőszemüveget. Használjon engedélyezett hallásvédőt. Használjon engedélyezett jó minőségű védőkesztyűt.

Használjon csúszásgátló, biztonsági acélbetétes védőcipőt. Soha ne dolgozzon a berendezéssel szandálban, vagy meztárban. Feltétlenül viseljen írtásos munkavégzőkor

engedélyezett védősisakot.

Ne viseljen bő ruhát, vagy ékszert. Viseljen hosszú nadrágot lábai védelmében. Hosszú hajnál viseljen fejfedőt. A fűkasza mozgó részei elkapathatják a bő

ruházatot és az ékszert.

Viseljen megfelelően erős és szorosan testhezálló munkaruházatot.

Tartsa testrészeit és ruházatát távol a vágószerszámtól, amikor a motort beindítja, vagy járhatja.

A fűkasza üzemeltetése közben gondoskodjon a biztos állóhelyzetéről. A botlásveszély miatt kerülje el, hogy a berendezéssel hátrafelé menjen. Kerülje a nem megfelelő testtartásokat.

A benzines láncfűrész hosszabb ideig tartó használatokor a rezgéstől függően vérrellátási zavar jöhet létre (fehér ujj betegség).

Ebben az esetben adatokat nem tudunk adni a használat időtartamáról, mivel ez személyenként különböző lehet. A következő tényezők befolyásolhatják ezt a jelenséget: A kezelő kezeinek vérellátási zavarai, alacsony külső hőmérséklet, hosszú használati időtartam. Ezért ajánlatos védőkesztyű viselése és rendszeres munkaszünetek beiktatása.

A robbanómotor kipufogógáza mérgező és többek között fulladást okozhat. A berendezést csak a szabadban szabad működésbe hozni.

Az üzemanyag tank töltését csak a szabadban, vagy megfelelően szellőztethető területen szabad elvégezni.

A benzin és a benzingőzök könnyen lobbánékonyak. Tartsa távol a könnyen gyúlékony anyagoktól és gyújtási forrásoktól pl.tűzhely, vagy sparhelt.



Ne dohányozzon, miközben a berendezést tankolja, vagy működteti.



Itassa fel az esetlegesen kiöntött benzint.

Csak a tankolási helytől távolabb indítsa el a benzines fűkaszt.

Ügyeljen arra, hogy a tanktartály fedője állandóan jól zárva legyen. Ügyeljen az esetleges szivárgási helyekre.

Mialatt a motor jár, vagy a forró gépnél nem szabad a

tanksapkazárt kinyitni, vagy üzemanyaggal feltölteni.

Lassan nyissa ki a tanksapkazárt, hogy a benzingőzők elillanjanak.

Ügyeljen arra, hogy a fogók szárazak, tiszták legyenek, és ne maradjon rajtuk idegen anyag (benzin, olaj, kenőzsír, vagy hasonlóak).

Soha ne használja kipufogó nélkül a berendezést, és helyesen szerelje fel a kipufogó- védőt.

Ne érintse meg a kifufogót. Égésveszély.

Csak az útmutatóban ajánlott üzemanyagot használjon.

H A benzint csak az arra alkalmas tartályban, biztonságos helyen tárolja.

Lejtős területen vágáskor mindig a vágószerszámon kívül tartózkodjon.

Mindig ügyeljen arra, hogy a damilfejben, a damil védőburkolatban, vagy a motorban ne gyűljenek össze anyagok, vagy hasonlóak.

Ne használjon drótot, vagy hasonlóakat a damilorsóban.

Csak nappal, vagy jó megvilágításnál dolgozzon.

Minden használat előtt végezze el a berendezés szemrevételezését.

Ellenőrizze, hogy minden csavar és csatlakoztatási hely erősen meg van-e húzva.

A fűkaszát mindig két kezével tartsa. Ellenőrizze minden használat előtt a berendezésen, és annak alkotórészein és biztonsági berendezésein a károsodásokat, vagy kopást és adott esetben végeztesse el a szükséges javításokat. Soha ne hatástalanítsa a védő-, és biztonsági berendezéseket. Ne használja a berendezést, amennyiben károsodások és az elhasználódás jelei mutatkoznak.

Tartsa a szerszámokat tisztán és működésképesen,

hogy jobban és biztonságosabban dolgozhasson.

Munkavégzéskor tartsa a berendezést megfelelő távolságra a testétől.

A munka megszakításakor és a munka helyváltoztatáskor mindig kapcsolja ki a gépet, várja ki, amíg a vágószerszám teljesen leáll, és állítsa le a motort.

A berendezést soha ne hagyja ott felügyelet nélkül a munka helyén. A munka megszakításakor a berendezést biztonságos helyen tárolja.

A géppel tevékenykedő emberek figyelmét nem szabad elvonni. Ezáltal elveszíthetik a gép fölötti ellenőrzést.

Soha ne használja az eszközt esőben, nedves, vagy vizes környezetben és soha ne tárolja a szabadban.

Amennyiben az eszköz nedves lenne, akkor várjon addig amíg az teljesen megszárad, mielőtt azt ismét használja.

Tekintse meg a munkavégzés előtt a munkaterületen, hogy vannak-e idegen anyagok és távolítsa el ezeket.

Amennyiben vágáskor mégis ilyen anyaggal találkozik, akkor kapcsolja ki a gépet és távolítsa el ezeket.

Egy blokádnál (kő-, fű összegyűlése) kapcsolja ki a berendezést és távolítsa el ezeket egy életlen eszközzel. Az akadályképző eszközt soha ne távolítsa el az ujjával, mivel az súlyos sérüléshez vezethet. A járó gépet feltétlenül tartsa a testétől távol.

Ne terhelje túl a gépet, és ne végezzen olyan munkát, amelyre az nem alkalmas.

Ügyeljen arra, hogy a szellőző nyílások mindig szabadak és szennyeződésmentesek legyenek.

Mindig tárolja úgy az eszközt, hogy azt gyermekek ne érhék el.

Biztos és száraz helyen tárolja az eszközt.

Ütődés, vagy más sérülés után ellenőrizze a gépet, hogy azon vannak-e károsodások. Tartsa távol a damilfejtől a testét és a ruházatát, amikor a motort elindítja és

járatja.

Különösen ügyeljen a fűszegély, kőszegélyek, és hasonlóak kaszálásakor arra, hogy a damil a köveket, a talajt elhajthatja.

Bekapcsolt berendezésen soha ne menjen át az úttesten, vagy az úton.

Soha ne vágjon kemény köveket, stb. Így elkerüli a sérülést és a berendezés károsodását.

A berendezést soha ne használja védőberendezés nélkül.

A vágóberendezést soha ne állítsa meg kézzel. Mindig várja ki, amíg az magától leáll.

Vezesse a damilfejet amennyire közelre lehetséges a talajhoz.

Csak olyan fűvet vágjon, ami a talajból nő ki. A falrészekből, vagy a kövekből kinövő fűvet nem szabad vágni.

Mindig ügyeljen arra, hogy a damilfejben, a védőburkolatban és a motorban ne gyűljenek össze anyagok, vagy hasonlóak.

A berendezést csak védőberendezéssel használja.

Kapcsolja a ki a berendezést mielőtt azt leállítja. Ügyeljen a vágóberendezés környezetében lévő sérülésveszélyre, ami a damil elszakadásakor jelentkezhet.

FIGYELEM: A vágószerszám a gép leállítása után még néhány másodpercig forog. Csak akkor tegye le a berendezést, miután az már teljesen megállt, és a motort leállították.

A károsodott vágószerszámot haladéktalanul egy újra kell cserélni.

Csak eredeti damilt használjon. A nejlondamil helyett soha ne használjon fémdrótot.

A berendezést és a vágószerszámot rendszeresen és szakszerűen kell ellenőrizni és karbantartani. A

sérüléseket egy szakműhelynek kell megjavítani. Csak a gyártó által ajánlott tartozékokat használjon.

A berendezését csak képzett szak személlyel és eredeti alkatrészekkel javíttassa. Ezáltal bizonyossá válik, hogy megmarad a berendezés biztonsága.

Maradék kockázatok

A fűkasza előírás szerinti használatokor is mindig maradnak maradék kockázatok. A következő veszélyek léphetnek fel a berendezés szerkezetével és kivitelezésével összefüggésben:

1. Olyan egészségkárosodások, melyek a kéz- kar rezgéséből erednek, amennyiben a fűkaszt hosszabb ideig használják, nem rendeltetésszerűen használják és karbantartását nem végzik el.

2. A lesodródó szerszámrögzítések által olyan sérülések és anyagi károk keletkeznek, melyek a hirtelen károsodás, a kopás, vagy a helytelen felhelyezés által váratlanul a berendezésről lesodródhatnak.

Figyelmeztetés! A fűkasza üzemelés alatt elektromágneses mezőt termel. Ez a mező bizonyos körülmények között befolyásolhatja az aktív, vagy passzív orvosi implantátumokat! A súlyos, vagy halálos sérülések veszélyének a csökkentéséhez ajánlatos az orvosi implantátumról az orvosával és az orvosi implantátum gyártójával konzultálni, mielőtt elkezdi az eszköz használatát.

A berendezés alkotórészeinek áttekintése (A1)(B1)

1. Rögzítőcsavar a korláttartóhoz
2. Fogantyúcső
3. Kezelő fogantyú
4. Üzemkapcsoló
5. Gázemelőtűzár
6. Gázkar
7. Heveder felfüggesztés
8. Kipufogóvédelem
9. Motor
10. Benzintartály
11. Bozótívágó kés
12. Vágóvédelem
13. Damilkazetta

14. Belsőhatszögű kulcs
15. Gyertyakulcs
16. Benzinkeverő tartály
17. Heveder
18. Félmenetkapcsoló
19. Rögzítőcsavar
20. Rögzítőstift
21. Damil
22. Csőtartó
23. Forgatható tartó
24. Nagyrugó
25. Kisrugó
26. Tartó burkolata

H U

Összeszerelés

Összeszerelés előtt ellenőrizze minden alkatrész tökéleteségét, és hogy vannak-e szállítási károsodások.

1. Állítsa a berendezést függőlegesen a motorral a talaj irányába.
2. Lazítsa meg a rögzítőcsavart (19) (A1) és tegye az alsó szárat a felső szár befogásába (A2).
3. Az alsó szár könnyű elforgatásával a rögzítőstift (20) bekattan a befogó közepső furatába. Végezetül erősen csavarja el a rögzítőcsavart.
4. Szétszedéshez lazítsa meg a rögzítőcsavart, nyomja be a rögzítőstiftet, és húzza ki az alsó szárat (A4).

Fogantyúcső

A benzines fűkaszát úgy tervezték, hogy azt a kezelő a testének a jobb oldalán használja.

- Helyezze a nagyobb rugót (24) a forgatható tartó (23) alsó részébe (B3-2).
- Nyomja be a kisebb rugót (25) a forgatható tartó (23) felső részébe (B3-3).
- Helyezze a fogantyúcsövet (2) a forgatható tartó (23) hornyába (B3-4).
- Végezetül vegye le a tartó burkolatát (26) és zárja le a forgatható tartót (23), miközben a tartó burkolatát a forgatható tartó fölére akasztja (B3-5).
- Nyomja a fogantyú csavart (1) a tartó burkolaton (26) és a forgatható tartón keresztül (23). (B3-6)
- Helyezze a fogantyúcsövet a fogantyútartóra (22) és

könnyen húzza meg a fogantyú csavart (1) (B3-7 & B3-8).

- Helyezze a fogantyúcsövet (2) a megfelelő munkaszögbe, és erősen húzza meg a fogantyú csavart (1) (B3-9).

javaslat:

A fogantyú csavar lazítása által a fogantyúcső a képen látható módon (B4-1 & B4-2) elállítható. Ezzel helyet takarít meg a berendezés tárolásakor (B4-1 & B4-2).

A damil kazetta összeszerelése



A nem szándékos elindulás elkerüléséhez húzza ki a gyújtógyertya csatlakozót.

SÉRÜLÉSVESZÉLY



FIGYELEM: Minden munkavégzőkor és a vágószerszámmal való munkavégzőkor viseljen védőkesztyűt.

A benzines fűkaszát felszerelt bozótívágó késsel (11) és felszerelt vágóvédelem (12) nélkül szállítjuk.

A benzines fűkasza gyep-trimmerként való használatához a vágóvédőt (12) és a damilvédőt (13) fel kell szerelni.

A vágószerszám szerelését a B5-1 és B5-2 ábrák mutatják.

Damilorsó szerelése

- Helyezze a benzines fűkasza tengelyét a meglévő helyre (B6) egy csavarhúzóval, vagy a leszállított belsőhatszögű kulccsal (14).

- Lazítsa meg a gyertyakulccsal (15) a hatszögű anyát az óramutató járásával megegyező irányba, ez szolgálja a bozótívágó rögzítését (B7).

- Távolítsa el a hatszögű anyát, a szorítótarcsát és a bozótívágókés (B8) tartótányérját. Jól őrizze meg ezeket részeket.

- Helyezze fel az ellendarabot (B9).
- Helyezze a motoros fűkasza tengelyét a meglévő helyre egy csavarhúzóval, vagy a leszállított belsőhatszögű kulccsal (14) (B10).

- Forgassa a damilkazettát (13) az óramutató járásával ellentétes irányban a tengelyre (B10).

FIGYELEM: Balos menetek Bozótívágó szerelése



A nem szándékos elindulás elkerüléséhez húzza ki a gyújtógyertya csatlakozót.

SÉRÜLÉSVESZÉLY



FIGYELEM: Minden



munkavégzéskor és a vágószerszámmal való munkavégzéskor viseljen védőkesztyűt.

A kaszapengét előírás szerint rendszeresen kell élezni. A szakszerűtlenül élezett, vagy tompa vágószerszám a szerszám túlzott terheléséhez vezet.

TÖRÉS- és SZAKADÁSVESZÉLY

A vágószerszámról lesodródó letört darabok a leg súlyosabb sérülésekhez vezetnek.

A benzines motoros fűkasza motoros fűkaszaként való használatához vágásvédőt és a bozótívágót fel kell szerelni.

- Helyezze a motoros fűkasza tengelyét a meglévő helyre egy csavarhúzóval, vagy a leszállított belsőhatszögű kulccsal (14). Forgassa le a tengelyről a damilkazettát (13).

- Helyezze a bozótívágó kést (12) az ellendarabra.

- Helyezze a szorítótárcsát és a tartótányért (figyelje az irányt) a bozótívágó késre (11), (B13).

- Helyezze a motoros fűkasza tengelyét a meglévő helyre

egy csavarhúzóval, vagy a leszállított belsőhatszögű kulccsal (14).

Forgassa el a hatszögű anyát az óramutató járásával ellentétes irányban a tengelyre és húzza meg a gyertyakulccsal (15) (B14).

FIGYELEM: Balos menet Heveder összeszerelése

A benzines fűkaszt egy hevederrel kell használni (17).

Először egyensúlyozza ki a benzines fűkaszt kikapcsolt állapotban.

- Tegye rá a hevedert (17).

- Úgy állítsa be a heveder hosszúságát, hogy a tengerészkapocs kb. egy tenyérnyi szélességgel a jobb oldali csipő alatt legyen (B15).

- Akassza be a benzines fűkaszt a tengerészkapocsnál.

- Hagyja a motoros kaszt kilendülni. A vágószerszám normál munkatartásban éppen megérintheti a talajt (B16).

- Igény szerint a heveder (7) felfüggesztését a belsőhatszögű kulccsal (14) meglazíthatja, vagy előre, vagy hátra tolhatja. Az a fontos, hogy a benzines fűkasza mindig jól legyen kiegyensúlyozva (B17).

Akassza a berendezést járó motorral a heveder tengerészkapocsára.

Üzemanyag



FIGYELEM! Kapcsolja ki a berendezést, hagyja kihűlni és húzza ki a gyújtáskapcsolót mielőtt az üzemanyagot betölti.

Használjon normál, vagy superbenzint és speciális-2-ütemű motorolajat 40:1 keverési arányban.

Figyelem: ne használjon más keverési arányt és tiszta benzint. Ne használjon olyan üzemanyagot, ami 2-3 hónapnál régebbi.

Hosszabb munkaszüneteknél üritse ki a tankot és töltsse újra a munka kezdése előtt.

Benzin keverése

Adja az üzemanyagot és a megfelelő 2-ütemű motorolajat 40:1 arányban a keverőtartályba (17), pl. 10 ml olajat 400 ml benzinhoz. Zárja le a tartályt és keverje össze a benzint és az olajat erőteljes rázással.

Benzin betöltése

- Lassan csavarozza le az üzemanyagtartály fedelét, hogy a nyomás és a benzingőzök veszélytelenül elillanjanak

- Töltse be az üzemanyagkeveréket egy tölcsérral és csavarozza rá a fedelet.

Indítás hideg motornál

- Helyezze a motoros fűkasztát biztosan a talajra. A benzintartály és a vágásvédő képezik a támasztékot. Ügyeljen arra, hogy a vágószerszám ne érintse meg sem a talajt, és sem más tárgyakat (B18).

- Állítsa az üzemkapcsolót (4) az "I" pozícióba (B19)

- Állítsa a szivatókart (B20) felfelé: az "OFF"-ra.

- Nyomja addig az injektort, amíg az átlátszó benzinvezeték megtöltődik üzemanyaggal (B21).

- Fogja meg a jobb kezével a kezelőfogantyút (3). Ezáltal kireteszelődik a gázkar gázemelőzár (5) (B22).

- Nyomja meg a gázkart (6).

- Egyidejűleg nyomja meg a félmenetkapcsolót (18) (B23).

- Hagyja lenyomva a félmenetkapcsolót (18) és engedje el a gázkart (6) és a gázemelőzárát. A félmenetkapcsoló (18) ezáltal automatikusan lenyomva marad.

- Vegyen fel biztos testtartást.

- Nyomja a benzines fűkasztát a bal kezével a talajra (B24).

FIGYELEM: Soha ne álljon, vagy térdeljen a szárra.

- Teljesen húzza ki az indítókötelet 3-5-ször (B24).

- Állítsa a szivatókart (B20) felfelé az "OFF"-ra.

- Húzza ki többször az indítókötelet könnyedén, de erőteljesen a zsinór végéig, amíg a motor beindul.



FIGYELEM- VESZÉLY: A motor fél gyorsulással és forgó vágóberendezéssel indul. Járassa a motort néhány másodpercig.

Állítsa a szivatókart (B25) lefelé az "ON"-ra.

A gázkar rövid idejű megnyomásával a félmenetkapcsoló automatikusan kikapcsol. A motor üresjáratra tér vissza. A vágószerszám néhány másodpercig állva marad.

Motor leállítása

- Hagyja a motort gáz nélkül üresjáratra visszatérni.

- Állítsa az üzemkapcsolót (4) a kezelőkaron a ki-pozícióba "0" (B26).



FIGYELEM. A vágóberendezés a motor leállítását követően néhány másodpercig továbbforog. Tartsa kezével mindkét markolatot a vágóberendezés teljes megállításáig.

Indítás meleg motornál

- A hideg motor indításának felel meg. Itt a szivatókart mindig az alsó "ON" pozícióban marad (B25).

Munkavégzés a benzines fűkaszával

- Elsőként ismerje ki – kikapcsolt berendezésnél – a kezelést és az irányítást, amennyiben első alkalommal dolgozik a benzines fűkaszával.

- A benzines fűkasztát úgy tervezték, hogy a kezelő azt kizárólag a jobb oldalán irányítsa.

- Tartsa a benzines fűkasztát mindig a két kezével a markolatoknál.

- Tartsa a jobb kezével a kezelő fogantyút és a bal kezével a fogantyúcső fogóját.

- Mindig ügyeljen arra, hogy a vágószerszám még rövid ideig továbbforog, miután a gázkart elengedi.

- Ügyeljen a motor tökéletes üresjárataira, azért, mert benyomott gázkarnál a vágószerszám már nem foroghat.

- Mindig magas fordulatszámon dolgozzon, így éri el a legjobb vágási eredményt.

- Vezesse a berendezést egyenletes boltíves mozgással balról jobbra, majd vissza. Majd vágja a következő szakaszt.

Figyelem: Mindig csak akkor vezesse vissza a berendezést a kiindulási pozícióba, mielőtt a következő szakaszt vágni kezd.

- Amennyiben munkavégzők kőnek, vagy fának ütköznek, akkor állítsa le a motort, húzza ki a gyújtógyertya csatlakozást, majd vizsgálja meg a motoros fűkasza károsodásait.

Figyelem: Nehezebb területeken és lejtőn álljon mindig a kaszaféltől távolabbra.

Magas fű vágásakor fokozatosan vágjon, hogy ne terhelje túl a berendezést. Először a tetejét vágja le, majd ezután dolgozzon fokozatosan.

Viseljen mindig védőszemüveget és hallásvédőt és kitermelési munkák végzőskor pedig védősisakot.

Kaszálás damilfeljellel

- Használja a damilkazettát a tiszta vágás eléréséhez az egyenetlen szegélyeknél, kerítés oszlopnál és fáknál.

- Vezesse óvatosan a kaszadamilt az akadály mellett, és vágjon a kaszadamil csúcsával az akadály körül. A kaszadamil kövel, fákkal és fallal való érintkezésekor idő előtt kirojtolódik, vagy elszakad. Ebben az esetben előfordulhat, hogy a damil a damilorsó házában eltűnik, és a kaszadamil-automatika már nem működik.

- Soha ne cserélje ki a műanyag damilt fémdróra – Sérülésveszély!

Kaszálás bozótívógóval

- Használja a bozótívógó kést a bozótok, vadon nőtt növények, fiatal faállomány mentén (max. 2 cm törzsátmérő) és magas fű irtásakor.

- Fém vágószerszám használatokor alapvetően fennáll a visszacsapódás veszélye, amennyiben a szerszám egy szilárd akadályt (kövek, fák, gallyak, stb.) talál el. Ekkor a berendezést a forgásiránnyal ellentétesen visszaforgatja.

- Vadon nőtt növényeknél és bozótívógóval a bozótívógó kést felülről "merítse le". Ezáltal felszecskázza a vágandó anyagot.

FIGYELEM: Ennél a munkatechnikánál különös óvatossággal járjon el, mert minél nagyobb a vágószerszám talajhoz való távolsága, annál nagyobb a veszélye annak, hogy az idegen anyagok az oldalánál kisodródhatnak.

- Fiatal faállomány irtásához és a fű vágásához vezesse a berendezést, mint egy kasztát szorosan a talajhoz.

FIGYELEM: A hibás használatnál és a durva bánásmóddal megkárosítja a bozótívógó kést és az elpattanó részek által súlyos sérüléseket okozat.

- A bozótívógó késsel való baleseti veszélyek csökkentéséhez, vegye figyelembe a következő pontokat:

- Soha ne vágjon 2 cm-es törzsátmérőnél nagyobb bokrokat, vagy fákat

- Kerülje a fémetestekkel, kövekkel stb. való érintkezést

- Rendszeresen ellenőrizze, hogy vannak-e a bozótívógó berendezésén sérülések. A sérült bozótívógó kést többet már ne használja.

- A bozótívógó kés észrevehető tompaságakor előírás szerint egy szakemberrel kell megéleztetni. Észrevehető egyensúly hiányánál a bozótívógó kést ki kell cserélni.

Kaszadamil-automatika

A kaszadamil (22) meghosszabbításakor járassa a motort

teljes gázzal, és érintse meg a damilorsóval a talajt. A damil automatikusan meghosszabbodik. A védőburkolatnál (B38) a damil a megengedett hosszúságra rövidül.

Damilorsó/ kaszadamil kicserélése

- 1, Szedje szét a damilorsót. Húzza le az orsóborítást a damilorsó tartópántjának erőteljes megnyomásával (B27).
- 2, Vegye el a damilorsó burkolatáról az orsótányért (B28)
- 3, A közepén rakja egybe a kaszadamilt és a keletkező hurkot akassza be az orsótányér hornyába (B29).
- 4, Feszesen tekerje fel a damilt az óramutató járásával ellentétes irányba. Az orsótányér elválasztja a kaszadamil mindkét felét (B30).
- 5, Akassza be mindkét damilvég utolsó 15 cm-erét a vele szemben lévő orsótányér damiltartójába (B31).
- 6, Vezesse mindkét damilvéget a damilorsó-burkolat fémkarikáin keresztül (B28).
- 7, Nyomja az orsótányért a damilorsó-burkolatba.
- 8, Röviden és erőteljesen húzza meg mindkét damilvéget a rugótartóból való meglazításhoz.
- 9, Illessze össze mindkettő burkolat fél részét.
- 10, Vágja le kb 13 cm hosszúságúra a felesleges damilt. Ez csökkenti a motor terhelését az indítás és felmelegedés közben.
- 11, Ismét szerelje össze a damilorsót.

Fontos:

Üzemelés közben kerülje el a járdaszegélyekkel, kövekkel és más kemény anyagokkal való érintkezést, mivel a damil elszakadhat és többé nem működik a kaszadamil-automatika. Ebben az esetben járjon el a "Damilorsó/ kaszadamil cseréje" 1-11. pontjai szerint.

Karbantartás és ápolás

Kés élezése

A kést kizárólag csak képzett és tapasztalt szakember élezheti meg. A szakszerűtlenül csiszolt késnél megnő a törés- és szakadás veszélye.



FIGYELEM! A berendezésen való munkavégzés előtt mindig húzza ki a gyújtógyertya csatlakozóját (pl. szállítás, összeszerelés, felszerelési-, tisztítási- és karbantartási munkáknál), valamint amikor nem használja a gépet!

Hajtómű kenése

Ellenőrizze a kenőzsír mennyiségét kb. minden 25 üzemóránként.

- Csavarozza ki a záró-dugócsavart egy megfelelő keresztvágásos csavarhúzóval (B32).

- Amennyiben már nem látható zsír a csavaron, akkor töltsön kb. 5 gramm kenőzsírt a hajtás burkolatába és ismét zárja le a betöltőnyílást.

Ügyeljen arra, hogy a hajtás burkolatát soha ne töltsse meg teljesen.

Levegőszűrő

Hosszabb munkák után tisztítsa meg a levegőszűrőt. A por és a pollen eltömítik a habos műanyagszűrő pórusait.
- Vegye le a burkolatot (B33) és mossa ki a szűrőt (B34) enyhén szappanos vízben. Figyelem! Ne használjon oldószert.

- Szárítsa meg a szűrőt, mielőtt azt ismét behelyezi.

Hogy a motor élettartamát ne rövidítse meg, a sérült levegőszűrőt azonnal ki kell cserélni.

Gyújtógyertya beállítása

Évente legalább egyszer, vagy rendszeres helytelen indítások esetén ellenőrizze a gyújtógyertya elektróda hézagát. A középelektroda és a testelektroda közötti helyes távolság 0,63 mm/0,25" (B35).

- Várjon, amíg a motor teljesen kihűl.

- Lazítsa meg a csavart és távolítsa el a műanyagburkolatot (B36-1).

- Húzza le a gyújtógyertya sapkát (B36-2) a gyújtógyertyáról és csavarja ki a leszállított gyertyakulccsal (16) (B37).

- Az elektróda túlzott kopásakor, vagy erős kérgesedéskor, a gyújtógyertyát megegyező típusúval kell kicserélni.

A gyújtógyertya erős kérgesedésének oka: túl magas az olaj aránya a benzinkverékben, rossz az olaj minősége, túl régi az benzinkeverék, vagy eltömítődött a levegőszűrő.

- Csavarja bele kezével a gyújtógyertyát a menetbe. Közben kerülje el, hogy ferdén álljon a gyújtógyertya.
- Szorítsa meg a gyújtógyertyát a leszállított gyertyakulccsal (16).
- A nyomatékkulcs használatakor az indító nyomaték 12-15 Nm.
- Helyezze fel pontosan a gyertyára a gyújtógyertya csatlakozót.

Kaszadamil-kés

- Amennyiben a kaszadamil hosszabbításakor már nem vág tisztán, akkor reszelje meg egy reszelővel a vágóélt (B38). Egy irányba reszeljen, és a megadott szögben.

Tisztítása

Használjon nedves kendőt a műanyagrészek tisztításához. ne használjon tisztítószert, oldószert, vagy éles tárgyat.

Az műszaki körülmény, hogy a munka során a nedves fű és a gyom a vágó-védőburkolat alatti hajtótengelyre tekeredik. Távolítsa el ezeket, különben a motor a túlzott súrlódás miatt túlforrósodik.

Rendszeres ellenőrzés

Ügyeljen arra, hogy a következő adatok normál használatra vonatkoznak. Bizonyos körülmények között (hosszabb nappali munkavégzés, erős porhatás, stb.) ennek megfelelően megrövidítik a megadott intervallumokat.

A munka megkezdése előtt és a tank feltöltése után: ellenőrizze a vágószerszámok helyes rögzítettségét, végezzen általános szemlét, élezze meg a bozótvtató

kést (szükség szerint is).

Heti ellenőrzés: hajtómű kenése (szükség szerint is).

Szükség esetén: Húzza meg az elérhető rögzítőcsavarokat és anyákat.

Elkerülje a túlzott kopást és a berendezés károsodását, ha betartja a használati útmutató előírásait.

Azokért a károkért, melyek ezen használati útmutatóban a megadott utasítások figyelembe vétele nélkül keletkeztek, a felhasználó saját maga felel.

Ez érvényes a berendezésen a fel nem jogosított változtatásokra, a nem feljogosított alkatrészek, alkotóelemek, munkaszerszámok használatára, a fajtától idegen és nem rendeltetésszerű használatra, a defektes alkotórészek használatának következményes káira.

Kopó alkatrészek

Rendeltetésszerű használatkor is néhány alkatrész elkopik.

Ezeket a használat fajtájától és időtartamától függően rendszeresen ki kell cserélni. Ezekhez az alkatrészek közé tartozik többek között a vágószerszám és a tartótányér.

Tárolás/áttelelés

DAhhoz, hogy a benzines fűkasza hosszabb tárolási idő után is problémamentesen működjön, a következőkre kell ügyelni:

- Tárolás előtt engedje le a benzintankot (11).
- Indítsa el a motort és hagyja azt jární, amíg az leáll.
- Amikor a motor kihűlt, akkor távolítsa el a gyújtógyertyát.
- Töltsön egy kiskanálnyi 2-ütemű keveréket a gyújtógyertya nyílásába és húzza ki többször lassan az indítószinórt. Ezáltal kifújja a koromlerakódásokat, valamint megkeni a dugattyút és a hengert.
- A benzines fűkaszát száraz, nem tűzveszélyes helyen kell tárolni.

Újraindítás hosszabb munkaszünet után

1. Ellenőrizze a gyújtógyertyát és adott esetben cseréltesse ki és csavarozza be a nyílásába.

2. Húzza ki többször erőteljesen az indítószinórt, a motortérben lévő olaj és a lerakódás eltávolításához.

3. Töltse meg a benzintankot a 2-ütemű-keverékkel 40:1 arányban.

Műszaki adatok

Motor lökettérfogata: 51,2 cm³
Maximális motorteljesítmény (ISO 8893 szerint): 1,4 kW

Orsó maximális fordulatszáma:
Bozótvágó kés: 6750 f/p
Damilorsó: 7850 f/p

Motor orsójának ajánlott max. fordulatszáma
Bozótvágó: 9000 f/p
Damilorsó: 10500 f/p
Motor fordulatszáma üresjáratban: 3400 f/p

Vágószerszámok
Bozótvágó kés: Ø 255 x Ø 25,4 x 1,4 mm
Damilorsó: Ø 2,4 mm
Szegélyvágó vágóterülete Ø: 255 mm
Damil vágóterülete Ø: 430 mm
Ürtartalom (üzemanyagtank): 0,85 l (0.85 cm³)
Jellemző üzemanyagfogyasztás (ISO 8893 szerint)
Max. motorteljesítménynél: 684 g/kWh
Üzemanyag jellemzők:

Keverési arány 40:1 (benzin : olaj)

Olaj jellemzője: 2-ütemű-motorolaj

Tömeg (üzemanyag, vágószerszám és védőberendezés nélkül): 7,8 kg

Gyűjtőgyertya

Típusa: L8RTC(Torch)
Zajtértekek (ISO 22868 szerint) Zajnyomásszint L_{pAav}
Szegélynyíró: 97,2 dB(A)
Fűkasza: 96,2 dB(A)

Zajtjeljesítményszint L_{WAav}
Szegélynyíró: 108,4 dB(A)
Fűkasza: 109,2 dB(A)
Garantált zajteljesítményszint L_{WAav} : 114dB(A)
Bizonytalanság K: 3 dB(A)

Kéz-kar-rezgése (ISO 22867 szerint)

Szegélynyíró a_{hveg} : max. 6.243 m/s²
Fűkasza a_{hveg} : max. 8.484 m/s²
Bizonytalanság K: 1,5 m/s²

Javaolat: A megadott rezgésértékeket egy norma szerinti ellenőrzési eljárás által adták meg, és arra használhatóak, hogy különböző berendezéseket hasonlítsanak egymással össze.

Ezenfelül ez az érték alkalmas arra, hogy a használt megterheléseit, melyek a rezgések által keletkeznek eleve meg tudja becsülni.

Figyelmeztetés! Attól függően, hogyan használja a berendezést, a tényleges rezgésértékek eltérhetnek a megadottól.

Hozzon intézkedéseket, hogy a rezgés-megterhelések ellen védekezzen. Vegye figyelembe a teljes munkafolyamatot, azokat az időpontokat is, amikor az elektromos szerszám terhelés nélkül dolgozik, vagy ki van kapcsolva.

A megfelelő intézkedések magukba foglalják többek között a berendezés és az alkatrészek rendszeres karbantartását és ápolását, a kezek melegen tartását, a rendszeres szüneteket, valamint a munkafolyamatok jó tervezését.

Zavar és elhárítás

Zavar	Lehetséges okok	Hibaelhárítás
A motor akadozik	Hibás a karburátor beállítása	Állítsa be a karburátort egy szakemberrel
A fűkasza beindul, de a motornak elégtelen a teljesítménye.	A szivató-karnak rossz a beállítása. A levegőszűrő szennyezett. Hibás a karburátor beállítása	Változtassa meg a szivató beállítását. Távolítsa el a habos műanyag szűrőt, szappanos vízzel tisztítsa meg és szárazon helyezze vissza. Állítsa be a karburátort egy szakemberrel
A berendezés nem indul be, vagy beindul, de nem jár.	Hibás eljárás indításkor. Hibás a karburátor beállítása. Kormos gyújtógyertya. Benzinszűrő eltömítődött. eltömítődirstopft	Kövesse az utasításokat az „Indítás hideg motornál” fejezet szerint 1-8 pontokat. Állítsa be a karburátort egy szakemberrel. Tisztítsa meg a gyújtógyertyát, korigálja az elektróda hézagot, vagy cserélje ki a gyújtógyertyát. Cserélje ki a benzinszűrőt.
A motor szabálytalanul jár.	A gyújtógyertyán rossz az elektródahézag. Leégett a gyújtógyertya.	Szakemberrel tisztítsa meg a gyújtógyertyát, illetve javítsa ki az elektródahézagot (ideális 0,25"/0,63mm) vagy cseréltesse ki a gyújtógyertyát
Túlzott füstképződés.	Hibás a karburátor beállítása Rossz az üzemanyagkeverék	Állítsa be a karburátort egy szakemberrel. Ürítse ki a tartályt, töltsen be a helyes keveréket: 2-ütemű-keverék 40:1.

H
U

Környezetvédelem

A berendezést, a tartozékokat és a csomagolást ne dobja egyszerűen a háztartási szemétkébe, hanem szállítsa el egy környezetbarát újrahasznosítóba.
Ez a kis ráfordítás jót tesz környezetünknek.

Opmerkingen over Veiligheid en Waarschuwingen



Lees de handleiding voor gebruik!



Kijk uit voor deeltjes die rondvliegen in de snijrichting!



Zorg ervoor dat er tussen machine en personen tijdens het gebruik een minimale afstand van 15 m is!

N
L



Gebruik goedgekeurde gehoorbescherming, veiligheidshelm, veiligheidsbril!



Draag stevige antislip schoenen!



Draag hoogwaardige handschoenen geschikt voor zwaar werk!



Draag hoogwaardige werkkleding geschikt voor zwaar werk!



Uitlaatgas is giftig en heeft een verstikkend effect!



Let op, brandrisico!
Benzine en benzinedampen zijn sterk ontvlambaar!



Gebruik altijd een ademhalingstoestel bij de bewerking van materialen die stof produceren.



Geluidsemisatie in overeenstemming met Richtlijn 2000/14/EC!





Belangrijk. Hete onderdelen. Blijf op veilige afstand.



Gebruik geen zaagbladen met dit apparaat!



Zet de choke-hendel tijdens de koude start naar , sluit de choke.
Zet de choke-hendel bij een warme start naar , open de choke.

Geachte Klant,
Gefeliciteerd met de aanschaf van uw benzine bosmaaier.



Lees deze handleiding aandachtig voordat u begint. Onjuist gebruik kan leiden tot schade aan personen en eigendommen.

Personen die niet vertrouwd zijn met deze handleiding mogen het apparaat niet gebruiken. Bewaar deze handleiding op een veilige plaats.

Kinderen en jongeren onder 16 jaar mogen het apparaat niet gebruiken. Jongeren ouder dan 16 jaar die werken onder toezicht van een vakman, mogen het apparaat gebruiken.

Doelmatig gebruik

Al naar gelang het bijgevoegde snijwerktuig is de benzine bosmaaier bedoeld voor het trimmen van gazons of gras, kreupelhout, struiken, heesters en kleine bomen op particuliere terreinen.

Dit gereedschap mag niet worden gebruikt voor andere doeleinden.

De fabrikant is niet aansprakelijk voor eventueel oneigenlijk gebruik of voor welke modificaties van de motor dan ook.

Neem aanwijzingen voor de veiligheid, de montage- en de bedieningsinstructies in acht en vooral ook de bestaande voorschriften ter voorkoming van ongevallen.

Opmerkingen over veiligheid

Zorg ervoor dat er zich geen personen of dieren in de buurt van het werkgebied bevinden (minimale afstand van 15 m).

Gras dat wordt gesneden en mogelijk opgeworpen kan vreemde voorwerpen zoals stenen bevatten. U bent verantwoordelijk voor de veiligheid in uw werkgebied en u bent aansprakelijk voor schade aan personen of zaken.

Het is niet toegestaan om de benzine bosmaaier te starten of in de nabijheid van personen of dieren te gebruiken.

Gebruik geen gereedschap als u moe bent of afgeleid, of wanneer uw vermogen om te reageren wordt aangetast onder de invloed van alcohol of medicijnen.

Onoplettendheid kan ernstig letsel veroorzaken. Gebruik een goedgekeurde veiligheidsbril.

Gebruik een goedgekeurde gehoorbescherming. Gebruik hoogwaardige veiligheidshandschoenen.

Gebruik hoogwaardige antislip veiligheidsschoenen met stalen neuzen. Bedien het apparaat nooit op sandalen of wanneer u op blote voeten bent.

Draag altijd een goedgekeurde veiligheidshelm tijdens het werken in een bosgebied.

Draag geen wijde kleding of sieraden. Draag een lange broek om uw benen te beschermen. Draag een veiligheidshelm ter bescherming van lang haar. Loszittende kleding, sieraden en lange haren kunnen onvoorzien in de bewegende delen terechtkomen.

Draag geschikte en duurzame, strak zittende kleding.

Wanneer u de motor start of stationair laat draaien, houd dan lichaamsdelen en kleding uit de buurt van het snijwerktuig.

Zorg ervoor dat u permanent op een stabiele en veilige plaats bent tijdens de werkzaamheden. Vermijd in verband met het risico van struikelen achteruit te bewegen met het apparaat. Vermijd een onnatuurlijke houding.

Als de cutter gedurende lange werktijden wordt

gebruikt kan er als gevolg van de vibratie eventueel een bloedsomloopstoornis optreden (de ziekte van Raynaud). In dit geval is het onmogelijk om aan te geven welke duur van gebruik te lang zou zijn, aangezien dit kan verschillen van persoon tot persoon. De volgende factoren kunnen invloed hebben op dit fenomeen: Stoornissen in de bloedsomloop van de bediener, lage buitentemperaturen, lange werkuren. Het is daarom raadzaam om warme beschermende handschoenen te dragen en op regelmatige tijdstippen te pauzeren.

De uitlaatgassen van verbrandingsmotoren zijn giftig en kunnen onder andere leiden tot verstikking. Het is niet toegestaan om de bosmaaier in gesloten of slecht geventileerde ruimtes te gebruiken.

Vul de benzinetank alleen buiten of in een goed geventileerde ruimte.

Benzine en benzinedampen zijn sterk ontvlambaar. Blijf uit de buurt van brandbare materialen en ontstekingsbronnen, zoals fornuizen en kachels.

Rook niet tijdens het tanken of tijdens het gebruik van het apparaat. Veeg gemorste benzine direct op met een doek.

Start de bosmaaier uitsluitend op een locatie ver weg van de plaats van het bijtanken.

Zorg er altijd voor dat het deksel van de brandstoftank is afgesloten. Kijk uit voor eventuele lekkage.

Wanneer de motor draait of de motor nog warm is, is het niet toegestaan om de dop van de brandstoftank te nemen en/of benzine bij te vullen.

Open de vuldop van de brandstoftank langzaam zodat benzinedamp kan ontsnappen.

Zorg ervoor dat de hendels droog, schoon en vrij van benzine vermengd met olie zijn.

Gebruik het apparaat niet zonder uitlaat of wanneer de uitlaatbeschermer niet correct is geïnstalleerd.

Raak de uitlaat niet aan, er bestaat verbrandingsgevaar.

Gebruik alleen de in de handleiding aanbevolen brandstof. Bewaar benzine uitsluitend in speciale reservoirs en berg deze op een veilige plaats op.

Tijdens het snijden op een helling moet u steeds onder het apparaat staan.

Zorg er altijd voor dat er zich geen voorwerpen of andere rommel ophopen in de freeskop onder de beschermkap of in de motor.

Schakel altijd het apparaat uit voordat u het neerlegt.

Gebruik geen draad of iets dergelijks in de lijnspoel.

Werk alleen overdag, of wanneer het werkoppervlak helder wordt verlicht met behulp van kunstlicht.

Onderwerp het apparaat vóór elk gebruik aan een visuele inspectie.

Controleer of alle bouten en verbindingdelen goed zijn aangedraaid.

Houd het apparaat altijd met beide handen vast.

Controleer het apparaat en de bijbehorende onderdelen en afschermingen op schade of slijtage vóór elk gebruik en laat het indien nodig repareren. Maak de beschermings- en veiligheidsonderdelen nooit onklaar. Gebruik het apparaat nooit wanneer schade en/of tekenen van slijtage zichtbaar zijn.

Draag zorg voor een betere en veiliger werking door het apparaat schoon en volledig functioneel te houden.

Houd altijd een veilige afstand tussen het apparaat en uw lichaam tijdens het werken.

Schakel het apparaat altijd uit wanneer de werkzaamheden worden onderbroken of de locatie wordt gewijzigd; wacht totdat het snijwerktuig volledig tot stilstand is gekomen en schakel dan de motor pas uit.

Laat het apparaat nooit zonder toezicht op de plaats van de werkzaamheden achter. Bewaar het apparaat op een veilige plaats wanneer de werkzaamheden worden onderbroken.

De personen die de machine bedienen mogen niet worden afgeleid vanwege het gevaar van controleverlies over het apparaat.

Gebruik het apparaat nooit tijdens regen, in een vochtige of natte omgeving en laat het zeker niet onbeschermd in de buitenlucht achter.

Indien het apparaat onverhoopt nat is geworden, wacht dan tot het helemaal droog is voordat u het weer gaat gebruiken.

Voordat u met de werkzaamheden begint is het raadzaam om de te snijden objecten te controleren en eventuele vreemde voorwerpen vooraf te verwijderen. Wanneer u desondanks een vreemd object tijdens het snijden ontdekt, schakel dan het apparaat uit en verwijder het object.

Als het apparaat wordt geblokkeerd door een vreemd voorwerp (steentjes, stapels gras), schakel dan het apparaat uit en verwijder het object met een stomp voorwerp. Gebruik nooit uw vingers om vastzittende vreemde voorwerpen te verwijderen, aangezien zulks kan leiden tot ernstig letsel.

Houd het bewegende apparaat altijd van het lichaam vandaan.

Let op: het snijwerktuig draait nog gedurende enige tijd nadat het apparaat al is uitgeschakeld!

Vorkom overbelasting van de motor en gebruik het apparaat niet voor werkzaamheden waarvoor het niet is bedoeld.

Zorg er altijd voor dat de ventilatieopeningen vrij zijn van vuil.

Bewaar het apparaat buiten het bereik van kinderen. Bewaar het apparaat op een veilige en droge plaats. Controleer de motor op schade na inwerking van buitenaf, of op eventuele andere schade.

Houd lichaamsdelen en kledingstukken uit de buurt van de freeskop wanneer u de motor start, of wanneer deze stationair draait.

Houd er altijd rekening mee dat vooral tijdens het trimmen van gazonranden grind meekomt en op soortgelijke plaatsen stenen en vuil kunnen worden rondgeslingerd.

Steek geen wegen of paden over terwijl het apparaat is ingeschakeld.

Probeer nooit tegen harde voorwerpen zoals stenen, etc. te snijden. Op deze manier vermijdt u letsel en schade aan het apparaat.

Gebruik het apparaat nooit zonder bevestigde afschermingen. Gebruik nooit uw handen om het snijwerktuig te stoppen. Wacht altijd totdat deze vanzelf stopt.
Houd en geleid de trimmer zo dicht mogelijk bij de grond.

Maai uitsluitend gras dat op de grond groeit. Probeer geen gras in scheuren of in muren te trimmen, of gras, dat op rotsen, etc. groeit.

Zorg er altijd voor dat er zich in de trimmer onder de beschermkap of in de motor geen voorwerpen of andere rommel ophopen.

Gebruik het apparaat uitsluitend als de afscherming is bevestigd. Schakel het apparaat altijd uit voordat u het neerlegt.

Houd er steeds rekening mee dat er gevaar voor verwondingen bestaat binnen het bereik van het snijelement, bestemd voor het afsnijden van de lijn.

LET OP: Het snijwerktuig draait nog een paar seconden door nadat de motor is uitgeschakeld.

Leg het apparaat pas neer nadat het snijwerktuig volledig stilstaat en de motor is uitgeschakeld.

Als het snijwerktuig beschadigd is geraakt, moet dit meteen worden vervangen.

Gebruik altijd de originele lijn. Gebruik nooit een metalen draad in plaats van de nylon lijn.

Apparaat en snijwerktuig moeten goed worden gecontroleerd en regelmatig onderhouden. Schade moet worden gerepareerd door een servicecentrum.

Gebruik uitsluitend accessoires die door de fabrikant zijn aanbevolen.

Laat uw apparaat enkel door gekwalificeerd personeel onderhouden en gebruik uitsluitend originele onderdelen. Dit zorgt ervoor dat het apparaat ook in de toekomst veilig werkt.

Montage

Controleer of alle onderdelen aanwezig zijn alvorens ze te monteren en nadat ze zijn beschadigd tijdens transport.

1. Plaats het apparaat horizontaal met de motor naar de grond.
2. Maak de klemschroef (19) (A1) los en plaats het bovenste en onderste slangetje van de trimmer in de aanwezige connector (A2).
3. Draai de onderste slang enigszins om de bevestigingspen (20) in de boring van de connector te plaatsen. Draai vervolgens de klemschroef vast.
4. Draai voor demontage de klemschroef los, duw de bevestigingspen naar binnen en trek de slang van de trimmer eruit (A4).
Stuurstangen

Het ontwerp van de benzinebosmaaier is bedoeld voor de rechterkant van het lichaam van de gebruiker.

- Plaats de grotere veer (24) aan in de onderzijde van de draaibare beugel (23). (B3-2)
- Druk op de kleinere(25) veer in de bovenzijde van de draaibare beugel (23).(B3-3)
- Plaats de handgreep (2) in de sleuf van de draaibare beugel (23).(B3-4)
- Verbind en sluit de beugelafdekking (26) met de draaibare beugel (23) met behulp van de haken aan de beugelafdekking. (B3-5)
- Plaats de bout van de handgreep (1) door de beugel (26) en de draaibare beugel (23).(B3-6)
- Plaats de beugelmontage op de beugelbasis (22) en draai de bout van de handgreep lichtjes aan (1) .(B3-7 en B3-8)
- Stel de handgreep in de werkhoeke in en draai de handgreep vast.(B3-9)

Wanneer u het apparaat wegbergt kunt u de handgreep enigszins losdraaien en de deze evenwijdig met de hoofdas plaatsen om opslagruimte te sparen (B4-1 en B4-2).

Montage van de lijncassette

Trek om het risico van een ongewenste motorstart te verhinderen de bougiekap los.

LETSELGEVAAR



LET OP: Draag altijd handschoenen tijdens het werken met en in de buurt van het snijwerktuig.

De bosmaaier wordt geleverd met bijgevoegd snijblad (11) en bijbehorende beschermkap (12).

Voor het gebruik van de bosmaaier als gazontrimmer moeten de afscherming (12) en de spoel (13) goed worden bevestigd.

De snijbescherming kan worden geïnstalleerd zoals op de foto's B5-1 en B5-2.

- Gebruik een schroevendraaier of de meegeleverde inbusleutel (14) om de as van de benzinebosmaaier op de beoogde locatie B6) met een borgmoer te fixeren.

- Gebruik voor de bevestiging van het snijblad (B7) de meegeleverde inbusleutel (15) om de zeskantbout door deze rechtsonder te draaien.

- Verwijder de zeskantige bout, de borgring en de borgschijf van het snijblad (B8). Bewaar deze onderdelen op een veilige plaats.

- Bevestig de borgbout (B9).

- Gebruik een schroevendraaier of de meegeleverde inbusleutel om de as van de benzinebosmaaier op de beoogde locatie met een borgmoer (B10) te fixeren.

- Schroef nu de lijncassette (13) op de as met de draairichting linksom (B10).

LET OP: Linksdraaiende Schroefdraad Montage van het Snijblad

Trek om het risico van een ongewenste motorstart te verhinderen de bougie op los.

LETSELGEVAAR



LET OP: Draag altijd handschoenen tijdens het werken met en in de buurt van het snijwerktuig.

Het snijblad dient periodiek te worden geslepen volgens de instructies. Verkeerd geslepen of botte messen kunnen het apparaat overbelasten.

GEVAAR VOOR BREUKEN en SCHEUREN

Rondvliegende delen weg van het snijwerktuig kunnen zeer ernstige verwondingen veroorzaken.

Voor het gebruik van de benzinebosmaaier als gemotoriseerde trimmer moeten de afscherming en het snijblad worden vastgemaakt.

- Gebruik een schroevendraaier of de meegeleverde inbusleutel om de as van de benzinebosmaaier op de beoogde locatie met een borgmoer te fixeren. Verwijder nu de lijncassette (13) van de as door hem naar rechts te draaien (B11).

- Plaats het snijblad (12) op de borgbout.

- Plaats de borgschijf (let op de juiste zijde) en de borgring op het snijblad (11) (B13).

- Gebruik een schroevendraaier of de meegeleverde inbusleutel om de as van de benzinebosmaaier op de beoogde locatie met een borgmoer te fixeren. Schroef de zeskantige bout op de as linksom en gebruik de meegeleverde inbusleutel (15) om deze schroef vast te draaien (B14).

LET OP: Linksdraaiende Schroefdraad Montage van de Draagriem

De bosmaaier moet worden gebruikt met een draagriem (17).

Breng als eerste de benzinebosmaaier in balans wanneer het apparaat is uitgeschakeld.

- Draag de schouderriem (17).

- Stel de lengte van band in, zodat de karabijnhaak zich grofweg één handbreedte onder de rechter heup bevindt (B15).

- Haak de bosmaaier vast in de karabijnhaak.
- Beweeg de bosmaaier heen en weer.

Wanneer men in een normale werkhouding staat moet het apparaat net de grond raken (B16).

- U kunt met een inbussleutel de beugel losdraaien en indien gewenst deze naar voren of naar achteren schuiven.
- Daarbij is het belangrijk dat de bosmaaier altijd goed in balans is (B17).

Haak de benzinebosmaaier voor gebruik in de karabijnhaak van de schouderriem terwijl de motor draait.

Brandstof

Gebruik alleen een mix van loodvrije normale benzine en speciale 2-takt motorolie in een mengverhouding van 40:1.

Let op: Gebruik geen andere mengverhouding en gebruik geen zuivere benzine.

Gebruik geen brandstof ouder dan 2-3 maanden. Leeg de brandstoftank bij langere pauzes en vul deze vóór aanvang van het werk weer bij.

Benzinemengsel

4,0 liter benzine en 100 ml speciale 2-takt motorolie (benzinestation)

- Vul 4,0 liter benzine in een tank samen met 100 ml 2-takt motorolie en meng door de tank te schudden.
- Vul de brandstof in de tank en sluit de kap.

Benzine Bijtanken

- Draai langzaam de dop van het reservoir open, zodat de druk en de benzinedamp ontsnappen op een ongevaarlijke manier.
- Gebruik een trechter om de 2-takt olie vermengd met benzine in een verhouding van 40:1 bij te vullen en draai de dop vast.

Starten bij Koude Motor

- Plaats de benzinebosmaaier veilig op de grond. Brandstoftank en snijbladbescherming worden als ondersteuning gebruikt.
- Zorg ervoor dat het snijwerktuig niet in contact komt met de grond of andere voorwerpen (B18).

- Zet de schakelaar (4) op de bedieningshendel omlaag (B19).

- Plaats de choke hendel omhoog (B20): 

- Druk op de klep en houd hem vast, totdat het doorzichtige benzinebuisje gevuld met benzine (B21).

- Gebruik uw rechterhand om de bedieningshendel te grijpen (3). Daarmee ontgrendelt de vergrendeling (5) van de smoorklep (B22).

- Druk stevig op de smoorklep (6).

- Tegelijkertijd, drukt u op de vergrendelingstoets (18) (B23).

- Houd de vergrendelingstoets (18) ingedrukt en laat de smoorklep (6) en vergrendeling los (5). Daardoor wordt de vergrendelingstoets (18) automatisch ingedrukt.

- Draag zorg voor een veilige houding.

- Gebruik uw linkerhand om de benzinebosmaaier sterk gedrukt op de grond te drukken (B24). LET OP: Plaats nooit uw voet op de as of kniel erop.

- Trek 3 tot 5 keer de startkabel volledig aan (B24).

- Plaats de choke hendel (B25) omlaag:

- Trek een paar keer snel en krachtig tot het uiteinde aan de startkabel, totdat de motor aanslaat.



LET OP - GEVAAR: De motor start op halve snelheid en met het roterende snijwerktuig. Houd de motor gedurende enkele secondes draaiende.

N
L

Wanneer de smookklep kort wordt ingedrukt, schakelt de vergrendelingstoets automatisch uit. De motor gaat terug naar stationair draaien. Het snijwerktuig stopt na enkele seconden.

Uitschakelen van de Motor

- Laat de motor terugdraaien naar stationair zonder indrukken van de smookklep.

- Zet de schakelaar (4) op de bedieningshendel naar de stand "STOP" (B26).



LET OP: Het snijwerktuig draait nog een paar seconden door nadat de motor is uitgeschakeld. Houd beide handgrepen vast totdat het snijwerktuig tot stilstand komt.

N
L

Starten als de Motor Warm is



- Dit is vergelijkbaar met de start van een koude motor. In dit geval blijft het choke niveau altijd ↑ aan de onderkant (B25).

Werken met de benzinebosmaaier

- Wanneer u voor het eerst werkt met de benzinebosmaaier om vertrouwd met de werking en bediening te raken, doe dit dan zonder draaiende motor.

- Het ontwerp van de benzinebosmaaier is bedoeld voor de rechterkant van het lichaam van de gebruiker.

- Gebruik altijd beide handen om de handgrepen van de bosmaaier vast te houden.

- Houd met de rechterhand de bedieningshendel en met de linkerhand de hendel van de handgreep vast.

- Houd altijd in gedachten dat het snijwerktuig doordraait kort nadat de smookklep werd vrijgegeven.

- Zorg altijd voor een goed stationair draaien van de motor zodat het snijwerktuig niet langer roteert, wanneer de smookklep wordt ingedrukt.

- Gebruik altijd de hoogste snelheid tijdens het werken, op deze manier bereikt u het beste resultaat.

Als u een steen of boom tijdens de werkzaamheden tegenkomt, schakel dan de motor uit en controleer de benzinebosmaaier op eventuele schade.

Let op: Bij het werken in een moeilijke omgeving en op hellingen moet u steeds onder het apparaat staan.

Draag altijd een veiligheidsbril en gehoorbeschermers en een veiligheidshelm tijdens werkzaamheden in een bos.

Gebruik van de Trimmer (freeskop) om te Snijden

- Gebruik de kunststof lijncassette voor een zuivere snede ook bij ongelijkmatige randen, hekpalen, en bomen.

- Vooraf zorgvuldig de freeslijn op een obstakel instellen en gebruik de punt van de lijn voor het snijden rond het obstakel. Wanneer de freeslijn in contact komt met stenen, bomen en muren, wordt de lijn ingekort of breekt af. In dit geval kan het gebeuren dat de draad in het spelhuis verdwijnt en de automatische trimtransmissie werkt niet meer.

- Zwenk de benzinebosmaaier zoals een gewone zeis horizontaal van rechts naar links en weer terug. U definieert de maaihoogte al naar gelang hoe hoog u het apparaat vasthoudt.

- Vervang nooit de nylon lijn met een metalen draad .

LETSELGEVAAR

Gebruik van het Snijblad voor het Snijden

- Gebruik het snijblad om kreupelbos, ranke groei, jonge boompopulaties (stamdiameter maximaal 2 cm) en hoog gras door te kammen.

- Tijdens het gebruik van metalen snijwerktuigen bestaat er over het algemeen een risico op terugslag, wanneer het apparaat een solide obstakel raakt (stenen, bomen, takken, etc.). Hierdoor wordt het werktuig tegen de draairichting teruggeslagen.

- Om rank groei en kreupelhout te snijden moet u deze met het snijblad vanaf de bovenkant "naderen". Op deze manier worden de te snijden objecten geschaafd.

LET OP: Wees vooral voorzichtig wanneer u deze techniek gebruikt, want hoe verder het snijwerktuig vanaf de grond is, hoe hoger het risico dat de te snijden objecten en deeltjes worden rondgeslingerd.

- Verplaats het apparaat om jonge boompopulaties te kammen en gras te snijden als een zeis dicht boven het maaiveld.

LET OP: Verkeerd gebruik en misbruik kan leiden tot beschadiging van de bosmaaier en ernstige verwondingen door rondslingerende delen veroorzaken.

- Beperk de risico's van ongevallen door doelmatig gebruik van het snijblad en neem daarbij de volgende punten in acht:

- Probeer nooit kreupelhout of stammen af te snijden waarvan de diameter groter is dan 2 cm.

- Vermijd contact met metalen voorwerpen, stenen, etc.

- Controleer periodiek het snijblad op schade. Maak nooit gebruik van een beschadigd snijblad.

- Wanneer het snijblad bot is moet het volgens de instructies worden geslepen.

Wanneer het snijblad kennelijk uit balans is, moet het worden vervangen.

Automatische Invoer van de Freeslijn

Laat om de freeslijn (22) te verlengen de motor op volle toeren draaien en tik met de de lijnspeel op de grond. Dit zal automatisch de lijn verlengen. Het blad op de beschermkap snijdt de lijn tot de toelaatbare lengte.

Vervangen van de lijn speel/ freeslijn

- Demonteer de lijnspeel. Druk de speel omlaag en verwijder één helft van de behuizing (B27-1 en B27-2).

- Neem de speelplaat (K) uit de lijnspeelbehuizing (B28).

- Plaats de nieuwe freeslijn in het centrum en hang de lus die is gevormd in de uitsparing in de spoelsplitter (B29).

-Draai de lijn linksom en breng deze onder spanning. De spoelsplitter scheidt de twee helften van de lijn (B30).

-Sluit de laatste 15cm van beide uiteinden van de lijn op de tegenoverliggende lijnhouders van de speelplaat (B31).

-Haal de twee uiteinden van de lijn door de metalen ogen in de lijnspeelbehuizing (B28).

-Druk de speelplaat in de lijnspeel behuizing

-Trek de twee lijneinden scherp aan om deze vrij te maken van de lijn.

-Klem de behuizingdelen opnieuw op elkaar

-Knip de overtollige lijn over een lengte van ongeveer 13 cm af. Dit vermindert de belasting op de motor tijdens het starten en warmdraaien.

-Monteer de lijnspeel.

LET OP: wanneer u de machine gebruikt, vermijd dan contact met stoepranden, stenen en andere harde voorwerpen, want de freeslijn kan breken en de trimmer stopt automatisch met werken. Ga in dat geval door naar punt 1-11 "Vervangen van de lijnspeel/ freeslijn".

Verzorging en Onderhoud

Smering van het Apparaat

Controleer de vulling van smeervet elke 25 bedrijfsuren.

- Gebruik een inbussleutel om de plug door draaien te verwijderen (B32).

- Als u geen vet op de schroef kunt zien, vul dan ca. 5 g smeervet (bouwmarkt) in de behuizing van de tandwielkast en sluit de vulopening weer.

Neem in acht dat de behuizing van de tandwielkast nooit volledig mag worden gevuld met smeervet.

Luchtfilter

Na langere werkzaamheden moet u het luchtfilter

N
L

reinigen. Stof en pollen sluiten de poriën van het van geschuimd kunststof gemaakte filter.

- Verwijder het deksel (B33) en was het filter (B34) in mild zeepwater. Let op: Gebruik geen benzine of oplosmiddel.

- Droog het filter voordat u het opnieuw gebruikt. Om de levensduur van de motor niet te verkorten, moet een beschadigd luchtfilter worden vervangen.

Afstelling van de Bougie

Controleer de bougie lichtspleet ten minste eenmaal per jaar of wanneer de motor slecht start. De correcte lichtspleet tussen contact vlag en contact is 0,25 inch/0,63 mm (B35).

- Wacht tot de motor is afgekoeld.

- Draai de schroef los en verwijder de plastic dop (B36-1).

- Trek de bougiekap (B36-2) van de bougie en gebruik de meegeleverde bougiesleutel om de bougie te verwijderen (B37).

- Wanneer de elektrode ernstig versleten is of een sterke verharding blijkt te hebben, moet deze worden vervangen door een gelijkwaardig exemplaar.

Een sterke verharding van de bougie kan worden veroorzaakt door: Hoeveelheid olie is te hoog in het benzinemengsel, slechte kwaliteit van de olie, oud benzinemengsel, of een verstopt luchtfilter.

- Schroef de bougie met de hand helemaal in de schroefdraad. (Voorkom blokkage)

- Gebruik de meegeleverde bougiesleutel om de bougie vast te draaien.

- Bij gebruik van een momentsleutel moet het aanhaalmoment 12-15 Nm bedragen.

- Plaats de bougiekap correct op de bougie.

Frezen van het Lijnmes

- Wanneer de freeslijn niet langer schoon is tijdens het aanvoeren, gebruik dan een vijl om deze scherper te maken (B38). Vijl in één richting en onder de opgegeven hoek.

Reinigen

Gebruik een vochtige doek voor het reinigen van de kunststof onderdelen.

Gebruik geen reinigingsmiddelen, oplosmiddelen, of scherpe voorwerpen.

Tijdens het verloop van de werkzaamheden wikkelt zich nat gras en onkruid om technische redenen rondom de aandrijfjas onder de snijbladbescherming. Verwijder deze, anders kan de motor oververhit raken wegens teveel wrijving.

Periodieke Controles

Houd er rekening mee dat onderstaande specificaties in relatie staan tot het normale gebruik. Door omstandigheden (langere perioden van dagelijks werk, zware blootstelling aan stof, etc.) worden de voorgeschreven intervallen dienovereenkomstig korter. Voor aanvang van de werkzaamheden en na het tanken: Controleer of het snijwerktuig goed vastzit, doe een algemene inspectie, slijp het snijblad (eveneens, indien nodig).

Wekelijkse inspectie: Smering van het tandwiel (indien nodig).

Indien nodig: Draai de bevestigingsbouten, schroeven en moeren goed vast.

U voorkomt overmatige slijtage en schade aan het gereedschap, wanneer u de instructies in deze handleiding nauwgezet volgt.

De gebruiker is verantwoordelijk voor alle schade veroorzaakt door het niet opvolgen van instructies in deze handleiding.

Dit geldt ook voor niet-toegestane wijzigingen van het apparaat, gebruik van niet-goedgekeurde onderdelen,

accessoires, werkinstrumenten, gelieerde en ondoelmatig gebruik, bijkomende schade te wijten aan het gebruik van defecte onderdelen.

Onderdelen onderhevig aan slijtage

Zelfs wanneer deze worden gebruikt op de beoogde manier, sommige onderdelen zijn onderworpen aan normale slijtage. Ze moeten worden vervangen, afhankelijk van de aard en de duur van het gebruik. Deze onderdelen omvatten o.a. het snijwerktuig en de borgschijf.

Opslag/Winter

U moet de volgende stappen ondernemen, zodat de bosmaaier na een lange stilstand weer storingsvrij werkt:

- Leeg de brandstoftank.
- Start de motor en laat hem draaien tot hij tot stilstand komt.
- Verwijder de bougie als de motor is afgekoeld.
- Vul een kleine lepel van 2-takt mix in de bougie opening en trek meerdere malen langzaam aan de startkabel. Zo worden roetafzettingen eruit geblazen en zuiger en cilinder gesmeerd.
- Controleer de bougie en vervang hem, als de vonkclip tezeer is verbrand.
- Bewaar de bosmaaier op een droge plek waar deze niet is onderworpen aan een risico op brand.

Opnieuw starten na langere Pauzes

1. Verwijder de bougie.
 2. Trek meerdere malen aan de kabel van de startmotor om de olie en de afzettingen in de motor te verwijderen.
 3. Controleer de bougie, vervang deze indien nodig en schroef hem weer vast.
- Vul de tank met een 2-takt mix van 40:1.

- Start de motor zoals beschreven in "Starten bij Koude Motor".

Specificaties

Motortype:	Luchtgekoelde 2-takt motor
Max. Uitgangsvermogen:	1,4 kW
Zuigercapaciteit:	51,2 cm ³
Stationair toerental:	3400 min ⁻¹
Koppelsnelheid:	4900 min ⁻¹
Max. Motortoerental:	9000 min ⁻¹ (gazontrimmer) 10500 min ⁻¹ (bosmaaier)
Snijvlak diameter:	430 mm (gazontrimmer) 255 mm (bosmaaier)
Specifiek brandstofverbruik:	684 g/kWu
Tank volume:	850 ml
Gewicht:	7,8 kg leeg
Lijn afmeting:	Ø 2,4 mm
Bougie:	L8RTC (bougie)
Geluidsdruk niveau L _{PA} :	96,2 dB(A), K=3 dB(A) (gazontrimmer) 97,2 dB(A), K=3 dB(A) (bosmaaier)
Geluidsvermogensniveau L _{WA} :	109.2dB(A),K=3dB(A) (gazontrimmer) 108.4dB(A),K=3dB(A) (bosmaaier)
Trilling bij gebruik:	8,484 m/s ² K = 1,5 m/s ² (gazontrimmer) 6,243 m/s ² K = 1,5 m/s ² (bosmaaier)

N
L

Overzicht van Apparaat Onderdelen (A1)(B1)

- | | |
|--|--|
| <ol style="list-style-type: none"> 1. Klemschroef voor handrailhouder 2. Handgreep 3. Bedieningshendel 4. Hoofdschakelaar 5. Vergrendeling 6. Smoorklep hendel 7. Kabelboom van de ophanging 8. Uitlaatpijp afscherming 9. Motor 10. Brandstoftank 11. Snijblad 12. Snijblad afscherming 13. Freeskop (trimmer) | <ol style="list-style-type: none"> 14. Inbussleutel 15. Bougiesleutel 16. Benzinemengsel tank 17. Schouderriem 18. Vergrendelingstoets 19. Borgschroef 20. Bevestigingspen 21. Freeslijn 22. Beugel basis 23. Draaibare beugel 24. Grotere veer 25. Kleinere veer 26. Beugelafdekking |
|--|--|

N
L

Probleem	Mogelijke Oorzaak	Problemen oplossen
De motor stopt.	Onjuiste afstelling van carburateur	Carburateur laten afstellen door een monteur.
Het apparaat start, maar de motor heeft weinig energie.	Onjuiste afstelling van choke-hendel Luchtfilter is vuil Onjuiste afstelling van carburateur	Overschakelen naar ↑ Verwijder het filter van geschuimd kunststof, was het met zeepwater en plaats het na het drogen terug. Carburateur laten afstellen door een monteur.
Het apparaat start niet of het start, maar werkt niet.	Verkeerde procedure bij het starten of een verkeerde afstelling van de carburateur of bougie zit vol roet Benzinefilter is verstopt	Volg de instructies in "Starten bij Koude Motor 1-8". Carburateur laten afstellen door een monteur. Reinig de bougie, corrigeer de luchtspleet, of vervang de bougie. Vervang benzinefilter
De motor loopt onregelmatig.	Luchtspleetcorrectie nodig bij bougie Bougie verbrand	Reinig de bougie, corrigeer de luchtspleet, ideaal is 0,25 inch/0,63 mm of vervang de bougie.
Buitensporige rookontwikkeling.	Luchtspleetcorrectie nodig bij bougie Bougie verbrand	Carburateur laten afstellen door een monteur. Leeg de brandstoftank, vul met de juiste mix: 2-takt mix 40:1.

Obsah

Vysvětlení symbolů
Správné používání
Bezpečnostní pokyny
Přehled součástí zařízení (A1) (B1)
Montáž
Palivo
Start s chladným motorem
Zastavení motoru
Start s teplým motorem
Práce s křovinořezem
Údržba a péče
Technické specifikace
Porucha a náprava
Ochrana životního prostředí

Vysvětlení symbolů



Před použitím si přečtěte návod k použití!



Pozor! Nebezpečí vyhazování předmětů!



Během provozu zajistěte mezi strojem a dalšími osobami vzdálenost nejméně 15 m!



Používejte schválenou ochranu sluchu, ochranu hlavy a ochranné brýle!



Používejte protiskluzovou a odolnou obuv!



Noste dobré a odolné rukavice!



Noste dobré a odolné pracovní oděvy!



Před použitím přístroje stiskněte 10krát vstřikovací čerpadlo, abyste zajistili dostatek paliva v potrubí.



Vznikající výfukové plyny jsou toxické a mají dusivý účinek!



POZOR! Nebezpečí požáru! Benzinové a benzinové výpary jsou velmi hořlavé!



Použijte masku proti prachu.



Garantovaná hladina akustického výkonu





Pozor, horké povrchy! Nedotýkejte se.



Nepoužívejte pilové kotouče s tímto přístrojem!



Při studeném startu umístěte páčku sytiče na , kvůli uzavření vzduchu. Při teplém startu je páčka sytiče v poloze , pro otevření sytiče.

Vážený zákazníku, gratulujeme vám k nákupu benzinového křovinořezu.

Toto zařízení vyhovuje bezpečnostním předpisům pro spalovací motory.

Před použitím přístroje pečlivě přečtěte návod k obsluze. Nesprávné použití může vést k poškození osob a majetku.

Osoby, které nejsou obeznámeny s pokyny, nesmí používat jednotku.

Pokyny k obsluze dodržujte pečlivě.

Děti a dospívající mladší 16 let nemohou používat spotřebič.

Mladým lidem nad 16 let, kteří pracují pod vedením vyškolené osoby, je používání povoleno.

C
Z

Bestimmungsgemäße Verwendung

Benzinový křovinořez je v závislosti na namontovaném řezacím nástroji určen pro kosení trávníku nebo trávy, pro řezání křovin, keřů, buše a mladých stromů v soukromé oblasti.

Přístroj není vhodný pro komerční nebo ekvivalentní použití.

Zařízení nesmí být používáno k jiným účelům.

V případě nesprávného použití stejně jako při změnách na stroji, výrobce nenese žádnou odpovědnost.

Dodržujte rovněž bezpečnostní pokyny, montážní a provozní pokyny a obecné předpisy pro prevenci havárií.

Bezpečnostní pokyny

Ujistěte se, že žádné osoby nebo zvířata se nenacházejí v blízkosti pracoviště (minimální vzdálenost 15 m).

V řezané a zvlhčené trávě lze nalézt cizí tělesa, jako jsou kameny. Jste zodpovědní za bezpečnost na pracovišti a zodpovídáte za škody na osobách nebo předmětech.

Benzinový křovinořez nesmí být spuštěn nebo použit v blízkosti osoby nebo zvířete.

Nepoužívejte přístroj, pokud jste unavení nebo nekoncentrovaní, pod vlivem alkoholu nebo drog. Nepozornost může mít za následek vážné zranění.

Používejte schválené ochranné brýle.

Používejte schválený chránič sluchu.

Používejte dobré ochranné rukavice.

Používejte dobré protiskluzové pracovní boty s ochrannými ocelovými kryty.

Nikdy nepracujte s jednotkou v sandálech nebo bosí.

Noste bezpodmíněně, v případě práce na odlesňování, schválenou ochrannou přilbu.

Nenoste volné oblečení nebo šperky. Noste dlouhé kalhoty na ochranu nohou. U dlouhých vlasů použijte kryt hlavy. Volné oblečení, šperky a dlouhé vlasy mohou být

zachyceny pohyblivými částmi.

Používejte vhodné těsné a pevné pracovní oblečení.

Při spouštění nebo chodu motoru udržujte části těla a oblečení mimo řezný nástroj.

Při práci se ujistěte, že stojíte pevně a bezpečně.

Vyhněte se při zakopnutí jet s přístrojem dozadu.

Vyvarujte se abnormálních postojů těla.

V případě prodlouženého používání benzinového křovinořezu to může vést k poruchám krevního oběhu vyvolaným vibracemi (choroba bílého prstu).

Informace o době trvání používání nelze v tomto případě uvést, protože se může lišit od osoby k osobě.

Tento jev mohou ovlivnit následující faktory: cirkulační poruchy krevního oběhu v rukou, nízké vnější teploty, dlouhé aplikace.

Proto se doporučuje používat teplé pracovní rukavice a mít pravidelné pracovní přestávky.

Výfukové plyny ze spalovacích motorů jsou toxické a mohou mimo jiné způsobovat udušení. Přístroj může být používán pouze venku.

Naplňte palivovou nádrž pouze venku nebo na dobře větraných místech.

Benziny a benzinové výpary jsou snadno hořlavé. Udržujte přístroj mimo dosah hořlavých materiálů a zdrojů vznícení, jako jsou např. pece nebo sporáky.



Během doplňování paliva nebo obsluhy přístroje nekuřte.



Okamžitě vysušte jakékoli rozlité palivo.

Spusťte benzinový křovinořez pouze v místech mimo čerpací stanice.

Ujistěte se, že víko cisternové nádoby je vždy pevně uzavřeno. Dávejte pozor na případné místa úniku.

Během chodu motoru nebo když je motor horký, nesmí být víko palivové nádrže otevřeno ani palivo znovu naplněno.

Pomalou otevřete uzávěr nádrže, aby mohlo dojít k úniku benzínových par.

Ujistěte se, že rukojeti jsou suché, čisté a neobsahují cizí látky (benzín, olej, mazivo nebo podobné látky).

Nepoužívejte přístroj bez výfuku a správně nainstalujte ochranu výfuku.

Nedotýkejte se výfuku. Nebezpečí popálení.

Používejte pouze doporučené palivo.

Benzín skladujte na bezpečném místě pouze v určených nádobách.

Při řezání na svahu vždy stojte pod řezným nástrojem.

Vždy se ujistěte, že v hlavě struny, v ochranném krytu nebo v motoru nejsou nashromážděné žádné předměty a podobně.

Nepoužívejte drát a podobné věci v cívce struny. Pracujte pouze za denního světla nebo dobrého umělého osvětlení. Proveďte vizuální kontrolu přístroje před každým použitím.

Zkontrolujte, zda jsou všechny šrouby a konektory pevně utaženy.

Vždy držte přístroj oběma rukama. Před každým použitím zkontrolujte zařízení a jeho součásti a kryty, zda nejsou poškozené nebo opotřebené. V případě potřeby proveďte potřebné opravy. Nikdy neodstraňujte ochranné a bezpečnostní zařízení. Nepoužívejte přístroj, pokud se objeví poškození nebo opotřebení.

Udržujte nástroje čisté a funkční, aby fungovaly lépe a bezpečněji.

Vždy udržujte přístroj při práci v dostatečné vzdálenosti od těla.

Při přerušení práce a změně místa přístroj vždy vypněte, počkejte, až se řezný nástroj zastaví a zastavte motor.

Nikdy nenechávejte zařízení bez dozoru na pracovišti. Během pracovních přestávek zařízení uchovávejte na bezpečném místě.

Při práci s tímto zařízením se neohýbejte. Můžete tím ztratit kontrolu nad nástrojem.

Nikdy nepoužívejte přístroj, když prší, ve vlhkém nebo mokřem prostředí a neskladujte jej venku.

Pokud je přístroj navlhčen, počkejte, dokud není úplně vysušen, než ho znovu použijete.

Než začnete s tímto produktem pracovat, prohlédněte si pracovní plochu na cizí tělesa a odstraňte je.

Pokud při řezání přesto zasáhnete cizí předmět, vypněte přístroj a vyjměte jej.

V případě zablokování cizím tělesem (kamen, nasbíraná tráva), vypněte přístroj a odstraňte ho tupým předmětem. Nikdy neodstraňujte zablokované cizí tělesa prsty, které by mohly způsobit vážné zranění. Udržujte běžící zařízení mimo tělo.

Nepřetěžujte zařízení ani neprovádějte žádné práce, pro které není zařízení určeno. Ujistěte se, že ventilační otvory jsou vždy čisté. Uchovávejte přístroj mimo dosah dětí.

Zařízení uchovávejte na bezpečném a suchém místě.

Po nárazu nebo jiném poškození zkontrolujte zařízení na poškození. Při spouštění nebo chodu motoru udržujte část těla a oděvy dále od hlavy struny.

Zvláštní pozornost věnujte skutečnosti, že kameny a zem mohou být vyhozeny řeznou strunou, zvláště při řezání okrajů trávníků, okrajů štěrku a podobně.

Při zapnutém přístroji nepřekračujte silnice ani cesty.

C
Z

Nikdy neřežte proti tvrdým předmětům, jako jsou kameny atd., abyste zabránili zranění nebo poškození přístroje.

Zařízení nikdy nepoužívejte bez ochranného přípravku.

Nikdy nezastavujte řezný nástroj rukama. Vždy počkejte, až se sám zastaví.

Vedte hlava struny co nejbliže k zemi. Odřízněte pouze trávu, která roste na zemi. Tráva ve štěrbinách múru nebo na kamenech nesmí být řezána. Vždy se ujistěte, že se v hlavě struny, v ochranném krytu nebo v motoru nenacházejí žádné předměty a podobně.

Používejte přístroj pouze s ochranným zařízením.

Před odstavením přístroje, jej vždy vypněte. Uvědomte si riziko poranění v oblasti řezacího nástroje, který se používá k řezání struny.

C UPOZORNĚNÍ:

Řezný nástroj se otáčí ještě několik sekund po odstavení přístroje. Neodkládejte přístroj, dokud není řezný nástroj zastaven a motor vypnutý.

Poškozený řezací nástroj okamžitě vyměňte za nový.

Vždy používejte originální struny. Nikdy nepoužívejte místo nylonové struny kovový drát.

Přístroj a řezné nástroje musí být pravidelně a správně kontrolovány a udržovány. Škody musí být opraveny odbornou dílnou. Používejte pouze příslušenství doporučené výrobcem.

Nechte přístroj opravit kvalifikovaným personálem pouze s originálními náhradními díly. To zajišťuje zachování bezpečnosti zařízení.

Ostatní rizika

Dokonce i když používáte toto zařízení správně, zůstávají zbytková rizika. V souvislosti s konstrukcí a konstrukcí této jednotky mohou vzniknout následující nebezpečí:

1. Škody na zdraví vznikají při vibracích rukou a ramen, pokud je přístroj

používán delší dobu, není řádně veden a udržován.
2. Zranění a majetková škoda způsobená nasazenými nástroji, které jsou neočekávaně vyhozeny / odděleny od zařízení kvůli náhlému poškození, opotřeбенí nebo nesprávnému uchycení.

Varování! Toto zařízení generuje elektromagnetické pole během provozu. Toto pole může za určitých okolností zasahovat do aktivních nebo pasivních lékařských implantátů. Aby se snížilo riziko vážných nebo smrtelných poranění, doporučujeme, aby se lidé s lékařskými implantáty poradili s lékařem a výrobcem zdravotnického implantátu předtím, než bude přístroj provozován.

Přehled prvků zařízení (A1) (B1)

1. Upínací šroub pro držák madla
2. Ruční tyč
3. Ovládací rukojeť
4. Přepínač
5. Blokovací zařízení
6. Plynová páka
7. Závěs na popruh
8. Ochrana výfuku
9. Motor
10. Palivová nádrž
11. Nůž na křoví
12. Ochranný kryt
13. Hlava struny
14. Imbus klíč
15. Klíč na zapalovací svíčku
16. Nádrž na míchání benzínu
17. Popruh
18. Poloviční spínač
19. Upínací šroub
20. Blokovací kolík
21. Řezná struna
22. Držák ruční tyče
23. Otočný držák
24. Větší pružina
25. Menší pružina
26. Kryt držáku

Montáž

Před montáží zkontrolujte úplnost dílů a případné poškození při přepravě.

1. Postavte přístroj vertikálně s motorem dolů na zem.

2. Uvolněte upínací šroub (19) (A1) a vsuňte spodní hřídel do zásuvky na horním hřídeli (A2).

3. Mírným zkroucením dolní hřídele zapadne blokovací kolík (20) do středového otvoru na zásuvce. Pevně otočte upínací šroub.

4. Pro demontáž uvolněte upínací šroub, zatlačte pojistný kolík a vytáhněte dolní hřídel (A4).

Držák rukojeti

Benzínový křovinořez je navržen tak, že je používán uživatelem na pravé straně těla.

- Vložte větší pružinu (24) do spodní části otočné konzoly (23). (B3-2)

- Stiskněte menší pružinu (25) na horní část otočné konzoly (23). (B3-3)

- Zasuňte ruční tyč (2) do drážky otočného držáku (23) (B3-4)

- Nasadte kryt držáku (26) a zavěte otočný držák (23) zasunutím krytu držáku do držáků otočné konzoly. (B3-5).

- Zasuňte šroub držadla (1) přes kryt konzoly (26) a otočný držák (23). (B3-6)

- Umístěte madlo na držák madla (22) a jemně utáhněte šroub (1) (B3-7 a B3-8)

- Nastavte ruční tyč (2) do správného pracovního úhlu a utáhněte šroub (1). (B3-9)

Poznámka:

Uvolněním rukojeti lze nastavit držák podle obrázku (B4-1 a B4-2). To šetří místo při ukládání zařízení. (B4-1 a B4-2)

Montáž hlavy se strunou



Aby se zabránilo nebezpečí neúmyslného spuštění, vytáhněte konektor zapalovací svíčky.

RIZIKO ZRANĚNÍ



UPOZORNĚNÍ: Při práci na řezných nástrojích a kolem nich vždy noste ochranné rukavice.

Benzínový křovinořez je dodáván s vestavěným nožem na křoví (11) a bez zabudovaného krytu (12).

Na využití benzínového křovinořezu jako vyžinače se musí namontovat ochranný kryt (12) a hlava struny (13).

Ochranný kryt je instalován tak, jak je znázorněno na obrázcích B5-1 a B5-2.

Sestavení hlavy struny

- Pomocí šroubováku nebo dodaného šestihranného klíče (14) zajistěte hřídel benzínového křovinořezu na určeném místě (B6). - Pomocí klíče zapalovací svíčky (15) uvolněte šestihrannou matici, která slouží k zajištění nože (B7), otáčením ve směru hodinových ručiček.

- Demontujte šestihrannou matici, upínací přírubu a opěrnou desku pro nůž (B8). Tyto součásti dobře uskladněte

- Umístěte protikus (B9).

- Zajistěte hřídel benzínového křovinořezu pomocí šroubovákunebo pomocí dodaného klíče (14) (B10).

- Našroubujte hlavu se strunou (13) proti směru hodinových ručiček na hřídel (B10).

POZOR: Levý závit **Montáž nože na křoví**



Aby se zabránilo nebezpečí neúmyslného spuštění, vytáhněte konektor zapalovací svíčky.

RIZIKO ZRANĚNÍ



UPOZORNĚNÍ: Při práci na řezných nástrojích a kolem nich vždy noste ochranné rukavice.

Nůž musí být pravidelně zaostřen podle pokynů.
Nesprávně ostré nebo tupé řezné hrany mohou vést k nadměrnému zatížení nástroje.

NEBEZPEČÍ ZLOMENÍ NEBO PRASKNUTÍ

Vyhazované kusy z řezacího nástroje mohou způsobit vážná zranění. Abyste mohli benzinový křovinořez používat jako křovinořez, musí být nainstalován ochranný kryt a nůž na křoví .

- Pomocí šroubováku nebo šestihranného klíče (14) zajistěte hřídel benzinového křovinořezu. Odšroubujte hlavu struny ve směru hodinových ručiček (13) z hřídele.

- Nasadte nůž na křoví (12) na protikus.- Upevněte upínací přírubu a montážní konzolu (dodržujte zarovnání) na nůž křovinořezu (11), (B13).

- Uzamkněte hřídel benzinového křovinořezu na předepsaném místě, použijte šroubovák nebo dodávaný klíč (14).

Otočte šestihrannou matici proti směru hodinových ručiček na hřídeli a pevně ji dotáhněte klíčkem zapalovací svíčky (15) (B14).

POZOR: Levý závit Montáž popruhu Benzinový křovinořez musí být používán s popruhem (17).

Nejdříve vyvažte vypnutý benzinový křovinořez.

- Namontujte nosný popruh (17).

- Nastavte délku pásu tak, aby karabinový hák byl přibližně na jednu dlaň pod pravým bokem (B15).

- Zavěste benzinový křovinořez na karabinu.

- Nechte benzinový křovinořez ustálit.
Při běžném provozu se řezný nástroj může dotýkat země (B16).

- Je-li to nezbytné, uvolněte závěsný popruh (7) pomocí imbusového klíče (14) a posuňte ho dopředu nebo dozadu.

Je důležité, aby benzinový křovinořez byl vždy dobře vyvážený (B17).

Zavěste přístroj s běžícím motorem na karabinu popruhu.

Palivo



POZOR! Před doplňováním paliva vypněte přístroj, nechte jej vychladnout a pak vytáhněte konektor zapalovací svíčky.

Používejte pouze směs bezolovnatého benzínu Normal nebo Super a speciálního dvoutaktního motorového oleje ve směšovací poměru 40: 1.

Pozor: Nepoužívejte žádný jiný poměr směsi nebo čistý benzin.

Nepoužívejte palivo, které je starší než 2-3 měsíce.
Před delšími pracovními přestávkami vypusťte nádrž a doplňte ji.

Míchání benzínu

Přidejte palivo a vhodný dvoutaktní motorový olej do směšovací nádrže (17) v poměru 40: 1, Například 10 ml oleje do 400 ml benzínu.

Uzavřete nádobu a důkladně protřepejte benzin a olej.

Naplnění paliva

- Pomalu otevřete víko nádrže tak, aby tlak a výpary benzínu mohly bezpečně uniknout.

- Naplňte palivovou směs třichtýřem a utáhněte kryt.

Start s chladným motorem

- Benzinový křovinořez bezpečně položte na podlahu. Benzinová nádrž a ochranný kryt tvoří oporu. Ujistěte se, že se řezný nástroj nedotýká země ani jiných předmětů (B18).
 - Nastavte ovládací spínač (4) do polohy ON "I" (B19).
 - Nastavte páčku sytiče (B20) nahoru: "OFF"
 - Stiskněte vstříkovací ventil, dokud není průhledná palivová linka naplněna palivem (B21).
 - Uchopte ovládací páku (3) pravou rukou. Tím se odblokuje blokovací zařízení (5) plynové páky (B22).
 - Stiskněte páku plynu (6).
 - Současně stiskněte spínač polovičního chodu (18) (B23).
 - Uvolněte spínač polovičního chodu (18) a uvolněte páku plynu (6) a blokovací zařízení (5). Poloviční chod (18) zůstává automaticky stisknut.
 - Zajistěte si bezpečný postoj.
 - Držte benzinový křovinořez levou rukou pevně na zemi (B24).
- UPOZORNĚNÍ: Nikdy nepokládejte nohu na hřídel ani na ní neklekejte.
- Vytáhněte zcela lanko startéru 3 až 5 krát (B24).
 - Páku sytiče (B20) nastavte směrem nahoru na hodnotu "OFF".
 - Několikrát rychle a pevně vytáhněte startovací lanko až na konec lanka, až se motor spustí.



VAROVÁNÍ - NEBEZPEČÍ: Motor se spouští z poloviny zrychleně a s rotujícím řezacím zařízením. Nechte motor několik sekund běžet.

Nastavte páčku sytiče (B25) směrem dolů na "ON".

Krátkým stisknutím páky plynu se přepínač polovičního chodu automaticky vypne. Motor se vrátí do volnoběhu. Řezný nástroj se zastaví po několika sekundách.

Zastavení motoru

- Nechte motor vrátit do volnoběhu bez plynu.
- Nastavte ovládací spínač (4) na ovládací rukojeť do polohy vypnuto "0" (B26).



POZOR. Řezné zařízení se po několika sekundách po zastavení motoru otáčí.

Držte obě rukojeti, dokud není řezací zařízení zcela zastaveno.

Práce s benzinovým křovinořezem

- Stejně jako studený motor. Páčka sytiče zůstává vždy ve spodní poloze "ON" (B25).

Práce s benzinovým křovinořezem

- Nejprve se seznámte s provozem a pokyny, když je zařízení vypnuto, když pracujete s benzinovým křovinořezem poprvé.
- Benzinový křovinořez je určen k obsluze výhradně na pravé straně těla.
- Držte vždy benzinový křovinořez oběma rukama.
- Držte ovládací páku pravou rukou a rukojeť ruční tyče levou rukou.
- Vždy se ujistěte, že řezný nástroj se po krátké době po uvolnění páky plynu ještě chvíli otáčí.
- Vždy se pak ujistěte, že motor běží hladce, že se řezný nástroj neotáčí, když není stisknutá plynová páčka.
- Vždy pracujte vysokou rychlostí, abyste dosáhli nejlepšího výsledku řezání.
- Přesouvejte přístroj zleva doprava a zpět, a to pravidelným obloukovým pohybem. Potom ořízněte další pás.

C
Z

Upozornění: Vždy vraťte přístroj zpět do výchozí polohy před dalším řezáním dalšího pásu.

- Narazíte-li při práci na kamen nebo strom, vypněte motor a vyjměte konektor zapalovací svíčky a potom zkontrolujte, zda není poškozený benzinový křovinořez.

Pozor: Při práci v obtížném terénu a na svazích stůjíte vždy pod hlavou struny/nože. Je-li tráva vysoká, stříhejte ji postupně, aby nedošlo k přetížení přístroje. Nejdříve řežte špičky a pak postupujte krok za krokem. Vždy používejte ochranné brýle a ochranu sluchu a při práci v lesích ochrannou přilbu.

Sekání se strunovou hlavou

- Použijte strunovou hlavu, abyste zajistili čistý řez i na nerovném povrchu, při hranách, oplocení a stromech.

- Opatrně vedte strunu směrem k překážce a řežte kolem překážky se špičkou struny. Když se struna dotkne kamene, stromu a stěny, vlákno/struna se předčasně rozpadne nebo se zlomí. V takovém případě se může stát, že struna v pouzdře hlavy zmizí a automatika struny již nefunguje.

- Nikdy nevyměňujte plastovou strunu za kovový drát - nebezpečí poranění!

Sekání s nožem na křoví

- Použijte houštinový nůž k čištění křovin, divokého růstu, mladých stromů (průměr kmene maximálně 2 cm) a vysoké trávy.

- Používáte-li kovové řezné nástroje, hrozí nebezpečí zpětného rázu, pokud nástroj zasáhne pevnou překážku (kamery, stromy, větve atd.). Zařízení je zpětně odhozené proti směru otáčení.

- V případě divokého růstu a křoviny "potápějte" nůž shora. V důsledku toho se řezaný materiál naseká.

UPOZORNĚNÍ: Při práci s touto technikou je třeba věnovat zvláštní pozornost, protože čím větší je vzdálenost mezi řezným nástrojem a zemí, tím větší je riziko, že rozřezaný materiál a cizí předměty jsou

odhozeny stranou.

- Pro zředění mladých stromů a řezání trávy vedte zařízení jako kosu blízko země.

UPOZORNĚNÍ: Nesprávné použití a zneužití mohou způsobit poškození nože na křoví a způsobit vážné zranění z vyhozených částí.

- Aby se snížilo riziko havárií v důsledku houštinových nožů, dodržujte následující body:

- Nikdy neřežte keře ani dřevo o průměru větším než 2 cm- Vyhněte se kontaktu s kovovými předměty, kameny apod.

- Pravidelně kontrolujte nůž na křoví, zda není poškozen. Nikdy nepoužívejte poškozený nůž na křoví.- Při výrazném otupení musí být nůž na křoví naostřen podle pokynů kvalifikovaného odborníka. Pokud je viditelná nevyváženost nože na křoví, musí být vyměněn.

Automatika struny

Chcete-li prodloužit strunu (22), spusťte motor na plný plyn a klepněte hlavou struny na zem. Struna je automaticky prodloužena. Nůž na krytu (B38) zkracuje strunu na přípustnou délku.

Výměna hlavy/struny

- 1, Demontujte hlavu struny. Potáhněte kryt hlavy struny silným stisknutím spony (B27)
- 2, Vyjměte cívkou z hlavy (B28)
- 3, Zložte novou řezací strunu v středě a zavěste smyčku do výřezu v cívce. (B29)
- 4, Navíjete strunu při tlaku proti směru hodinových ručiček. Rozdělovač cívkou odděluje obě poloviny řezací struny (B30)
- 5, Posledních 15 cm obou konců struny zahákněte v cívce do opačných držáků struny. (B31)
- 6, Vedte oba konce struny kovovými oky pouzdra cívkou (B28).
- 7, Zatláčte cívkou do pouzdra cívkou - do hlavy.
- 8, Zatáhněte krátce a silně na obou koncích struny a uvolněte je z držáků struny.
- 9, Znovu zmontujte spolu poloviny hlavy.
- 10, Přebytké struny zkraťte na přibližně 13 cm. To snižuje zatížení a zahřátí motoru při startu.
- 11, Znovu připevněte hlavu

Důležité:

Během provozu se vyvarujte kontaktu s obrubníky, kameny a jinými tvrdými předměty, protože se může poškodit struna a automatia prodlužování struny již nebude fungovat. V tomto případě postupujte podle popisu v bodech 1-11 "Výměna hlavy/struny

Údržba a péče

Ostření nože

Nůž smí brusit pouze kvalifikovaný a zkušební odborník.

Nesprávně nabroušený nůž zvyšuje riziko zlomení a prasknutí.



POZOR! Před prováděním práce na zařízení (např. přeprava, nastavení, přestavba, čištění a údržbě), stejně jako při nepoužívání, vytáhněte konektor zapalovací svíčky!

Mazání převodovky

Zkontrolujte plnění tuku přibližně každých 25 provozních hodin.

- Odšroubujte pojistný šroub pomocí vhodného křížového šroubováku (B32).

- Pokud na šroubu není vidět žádné tuky, doplňte 5 g maziva (stavební trh) do skříňové převodovky a opět uzavřete plnicí otvor.

Dbejte na to, že skříň převodovky nesmí být nikdy zcela naplněna mazivem.

Vzduchový filtr

Po dlouhé době provozu vyčistěte vzduchový filtr. Prach a pyl ucpávají póry pěnového filtru.

- Sejměte kryt (B33) a filtr (B34) promyjte v slabé mýdlové vodě.

Upozornění: Nepoužívejte benzín ani rozpouštědla. Před nasazením filtr vysušte.

Aby nedošlo ke zkrácení životnosti motoru, musí být poškozený vzduchový filtr okamžitě vyměněn.

Nastavení zapalovací svíčky

Zkontrolujte vzdálenost mezi elektrodami zapalovací svíčky alespoň jednou ročně nebo při opakovaně zlém startování. Správná vzdálenost mezi knotem zapalování a kontaktem zapalování je 0,63 mm / 0,25 "(B35).

- Počkejte, až se motor úplně ochladí.

- Povolte šroub a plastový kryt vyjměte (B36-1).

- Vyměňte uzávěr zapalovací svíčky (B36-2) ze zapalovací svíčky a odšroubujte zapalovací svíčku dodaným klíčem na zapalovací svíčku (16) (B37).

- Při nadměrném opotřebení elektrody nebo v případě velmi silné inkrustace, musí být zapalovací svíčka nahrazena rovnakým typem.

Silné zablokování zapalovací svíčky může být způsobeno: Nadměrným obsahem oleje ve směsi benzínu, špatnou kvalitou oleje, přestárlou benzinovou směsí nebo zaneseným vzduchovým filtrem.

- Ručně zatočte zapalovací svíčku do závitů. Vyvarujte se naklápění zapalovací svíčky.

- Utáhněte zapalovací svíčku dodaným klíčem na zapalovací svíčku (16).- Při použití momentového klíče je utahovací moment 12-15 Nm.

- Na svíčku správně umístěte konektor zapalovací svíčky.

Nůž na strunu

- Pokud při prodloužení struny nůž již neřeže správně, použijte pilník pro úpravu ostří (B38). Ostřete v jednom směru a ve stanoveném úhlu.

Čištění

Pro čištění plastových částí použijte vlhký hadřík. Nepoužívejte čisticí prostředky, rozpouštědla ani ostré předměty.

V průběhu práce se navijí vlhká tráva a plevele kolem hnací nápravy pod ochranným krytem řezání. Odstraňte je, jinak dojde k přehřátí motoru kvůli nadměrnému tření.

Pravidelné kontroly

Mějte na paměti, že následující informace se vztahují k normálnímu použití. Za určitých okolností (delší denní práce, těžké zatížení prachem apod.) se odpovídající intervaly zkracují.

Před zahájením práce a po naplnění nádrže: Zkontrolujte, zda řezné nástroje dobře sedí, udělejte vizuální prohlídku, naostřete nůž na křoví (podle potřeby). Týdenní kontrola: mazání převodovky (také podle potřeby).

V případě potřeby: Dotáhněte přístupné upevňovací šrouby a matice. Vyhněte se nadměrnému opotřebením a poškození zařízení, pokud budete postupovat podle pokynů v této příručce.

Uživatel je odpovědný za veškeré škody způsobené nedodržením pokynů uvedených v této příručce.

To se týká také neoprávněných změn na zařízení, použití neoprávněných náhradních dílů, příslušenství, pracovních nástrojů, nesprávného použití a použití na jiné účely, následného poškození způsobeného použitím chybných součástí.

Opotřebením dílů

Dokonce i při použití podle určení některé součásti podléhají normálnímu opotřebením. Ty musí být pravidelně nahrazovány v závislosti na druhu a délce používání. Mezi tyto součásti patří mimo jiné řezný nástroj a hlava struny.

Skladování / přezimování

Aby se zajistilo bezproblémové fungování benzinového křovinořezu po delší době skladování, dodržujte následující pokyny:

- Před uskladněním vyprázdněte benzinovou nádrž (11).

- Spusťte motor a nechte jej běžet až zastaví. - Pokud je motor ochlazen, vyjměte zapalovací svíčku.

- Do otvoru zapalovací svíčky naplňte malou lžiči 2-taktní směsí a pomalu několikrát vytáhněte startovací šňůru.

Výsledkem je vyfukování usazenin a mazání pístů a válců.

- Skladujte benzinový křovinořez na suchém místě a nevystavujte ohni.

Start po delší pracovní době

1. Zkontrolujte zapalovací svíčku a vyměňte ji pokud je to nutné, a našroubujte ji do otvoru.

2. Několikrát rychle vytáhněte startovací šňůru aby se odstranil olej a usazeniny z motorového prostoru.

3. Naplňte benzinovou nádrž dvojtaktnou směsí 40: 1.

Začněte podle pokynů v části "Start se studeným motorem".

Technické specifikace

Zdvihový objem motoru:	51,2 cm ³
Maximální výkon motoru (podle ISO 8893):	1,4 kW
Maximální otáčky vřetena	
Nože na křoví:	6750 min ⁻¹
Hlavy struny:	7850 min ⁻¹
Otáčky motoru při doporučených max. otáčkách vřetena	
Nůž na křoví:	9000 min ⁻¹
Hlava struny:	10500 min ⁻¹
Otáčky při volnoběhu motoru:	3400 min ⁻¹
Řezný nástroj nůž na křoví: Ø 255 x Ø 25,4 x 1,4 mm	
Struna:	Ø 2,4 mm
Rozsah řezání nůž na křoví Ø:	255 mm
Rozsah řezání při struně Ø:	430 mm
Objem (palivová nádrž):	0,85 l (0,85 cm ³)
Konkrétní spotřeba paliva (podle ISO 8893)	
při max. výkonu motoru:	684 g/kWh
Specifikace paliva: Míchací poměr 40: 1 (benzin: olej)	
Specifikace oleje:	2-taktní motorový olej
Hmotnost (bez paliva, řezného nástroje a ochranného vybavení)	7,8 kg

Zapalovací svíčka

Typ:	L8RTC(Torch)
Akustický tlak (Podle ISO 22868)	
Hladina akustického tlaku L _{pAv} :	
Křovinořez:	97,2 dB(A)

Vyžínač: 96,2 dB(A)

Hladina akustického výkonu L_{WAav}

Křovinořez: 108,4 dB(A)

Vyžínač: 109,2 dB(A)

Garantovaná hladina akust. výkonu L_{WAav} : 114 dB(A)

Nejistota K: 3 dB(A)

Vibrace rukou a ramen (ISO 22867)

Křovinořez: max. 6.243 m/s²

Vyžínač: max. 8.484 m/s²

Nejistota K: 1,5 m/s²

Poznámka: Uvedená hodnota vibrací byla stanovena podle standardizované zkušební metody a může být použita k porovnání různých zařízení navzájem.

Kromě toho je tato hodnota vhodná pro odhad zátěží na uživatele předem, které jsou způsobeny vibracemi.

Varování! V závislosti na způsobu používání zařízení se skutečné hodnoty vibrací mohou lišit od uvedených hodnot.

Přijměte opatření k ochraně před vibračním stresem.

Při tom je třeba vzít v úvahu celý pracovní postup, včetně doby, kdy je elektrické nářadí bez zátěže nebo je vypnuté.

Mezi vhodná opatření patří mimo jiné pravidelné ošetřování a údržba zařízení a nástrojů, udržování teplých rukou, pravidelné přestávky a dobrý pracovní plán.

C
Z

Odstraňování problémů

Porucha	Možná příčina	Poradce při potížích
Motor se zastaví.	Nesprávné nastavení karburátoru	Nechte karburátor nastavit odborníkem.
Přístroj se spustí, ale motor má malý výkon.	Nesprávné nastavení páky sytiče Vzduchový filtr je znečištěn Nesprávné nastavení karburátoru	Změňte polohu sytiče Odstraňte pěnový filtr, očistěte mýdlovou vodou a suchý znovu vložte. Nechte karburátor nastavit odborníkem.
Přístroj se nespustí nebo naskočí ale dál neběží.	Chybný postup při spuštění Nesprávné nastavení karburátoru Zanesená zapalovací svíčka Benzinový filtr je ucpaný	Postupujte podle pokynů "Start se studeným motorem 1-8". Nechte karburátor nastavit odborníkem. Vyčistěte zapalovací svíčku, opravte vzdálenost elektrod nebo vyměňte zapalovací svíčku. Vyměňte benzinový filtr
Motor běží nepravidelně.	Špatná vzdálenost elektrod na zapalovací svíčke Zpálená zapalovací svíčka	Vyčistěte zapalovací svíčku, opravte mezery elektrod ideál je 0,63 mm/0,25" nebo vyměňte zapalovací svíčku.
Nadměrný kouř.	Nesprávné nastavení karburátoru Nesprávná směs paliva	Nechte karburátor nastavit odborníkem. Vyprázdněte nádrž, naplňte správnou směs: 2-taktní směs 40: 1.

C
Z

Opatření na ochranu životního prostředí

Neodstraňujte zařízení, příslušenství ani obal do odpadkového koše, ale dopravte ho do ekologicky šetrného recyklačního zařízení.

Toto malé úsilí je přínosem pro naše životní prostředí.

Dieser kleine Aufwand kommt unserer Umwelt zugute.

Original Konformitätserklärung



Matrix GmbH
Postauer Str. 26
D-84109 Wörth/Isar
Germany
Fax: +49 (0) 8702/45338 98
E-Mail: info@matrix-direct.net

- GB hereby declares the following conformity under the EU Directive and standards for the following article
- D erklärt folgende Konformität gemäß EU-Richtlinie und Normen für den Artikel
- F déclare la conformité suivante selon la directive UE et les normes pour l'article
- GR Δήλωση συμμόρφωσης
GR δηλώνει την παρακάτω συμμόρφωση κάτω από την Οδηγία της Ε.Ε. και τα στάνταρ του παρακάτω άρθρου
- EE deklareerib vastavuse järgnevale EL direktiividele ja normidele
- PT declara a seguinte conformidade de acordo com a directiva EU e normas para o artigo

- ES declara la conformidad siguiente según la directiva la UE y las normas para el artículo
- PL deklaruje, że produkt jest zgodny z następującymi dyrektywami UE i normami
- HU az EU-irányelv és a vonatkozó szabványok szerinti következő megfeleloségi nyilatkozatot teszi a termékre
- NL verklaart hierbij dat het volgende artikel voldoet aan de daarop betrekking hebbende EG-richtlijnen en normen
- CZ Prohlašujeme, že je výrobek ve shodě s následujícími směrnicemi EU a normami

Petrol brush cutter / SPS-1400

- | | | | |
|-------------------------------------|---------------------|-------------------------------------|-----------------------|
| <input checked="" type="checkbox"/> | 2006/42/EC | <input type="checkbox"/> | 2002/96/EC |
| <input checked="" type="checkbox"/> | 97/68/EC_2012/46/EC | <input type="checkbox"/> | R&TTD 1999/5/EC |
| <input type="checkbox"/> | 93/68/EEC | <input checked="" type="checkbox"/> | 2000/14/EC_2005/88/EC |
| <input checked="" type="checkbox"/> | 2014/30/EU | <input type="checkbox"/> | 95/54/EC |
| <input type="checkbox"/> | 2002/95/EC | <input type="checkbox"/> | 73/23/EWG |

EN ISO 11806-1; EN ISO 14982;
Geräuschemission 2000/14/EC, Anhang III & 2005/88/EC, Konformitätsbewertungsverfahren: 2000/14/EC Anhang V
Garantierter Schallleistungspegel: $L_{WA}=114$ dB (A)
Gemessener Schallleistungspegel: $L_{WA}=108.08$ dB(A)
Benannte Stelle , Name und Anschrift der beteiligten Stelle:
TÜV Rheinland LGA Products GmbH· Tillystraße 2· D-90431 Nürnberg

The technical documentation is kept by our authorized representative:
Matrix GmbH
Postauer Str. 26
D-84109 Wörth/Isar
Germany

Wörth/Isar, den 09.10.2017
Art.-Nr.: 604.200.050


Joachim Lichtl (Geschäftsführer)

GARANTIE

GB Garantie

This appliance is a quality product. It was designed in compliance with current technical standards and made carefully using normal, good quality materials.

The warranty period is 24 months and commences on the date of purchase, which can be verified by the receipt, invoice or delivery note. During this warranty period all functional errors, which, despite the careful treatment described in our operating manual, are verifiably due to material faults, will be rectified by our after-sales service staff.

The warranty takes the form that defective parts will be repaired or replaced with perfect parts free of charge at our discretion. Replaced parts will become our property. Repair work or the replacement of individual parts will not extend the warranty period nor will it result in a new warranty period being commenced for the appliance. No separate warranty period will commence for spare parts that may be fitted. We cannot offer a warranty for damage and defects on appliances or their parts caused by the use of excessive force, improper treatment and servicing.

This also applies for failures to comply with the operating manual and the installation of spare and accessory parts that are not included in our range of

products. In the event of interference with or modifications to the appliance by unauthorised persons, the warranty will be rendered void.

Damages that are attributable to improper handling, over loading, or natural wear and tear

are excluded from the guarantee.

Damages caused by the manufacturer or by a material defect will be corrected at no charge by repair or by providing spare parts.

The prerequisite is that the equipment is handed over assembled, and complete with the proof of sale and guarantee.

For a guarantee claim, only use the original packaging.

That way, we can guarantee quick and smooth guarantee processing.

Please send us the appliances post-paid or request a Freeway sticker.

Unfortunately we will be unable to accept appliances that are not postpaid.

The warranty does not cover parts that are subject to natural wear and tear.

If you wish to make a warranty claim, report faults or order spare parts or accessories, please contact the after-sales centre below:

Subject to change without prior notice.

210 Bath Road; Slough, Berks SL1 3YD

www.stanleytools.co.uk

Tel: +44 (0)1753 511234

Fax: +44 (0)1753 512365

D GARANTIE

Dieses Gerät ist ein Qualitätserzeugnis. Es wurde unter Beachtung der derzeitigen technischen Erkenntnisse konstruiert und unter Verwendung eines üblichen guten Materials sorgfältig gebaut.

Die Garantiezeit beträgt 24 Monate und beginnt mit dem Zeitpunkt der Übergabe, der durch Kassenbonn, Rechnung oder Lieferschein nachzuweisen ist. Innerhalb der Garantiezeit werden alle Funktionsfehler durch unseren Kundendienst beseitigt, die nachweisbar, trotz vorsichtsmäßiger Behandlung entsprechend unserer Bedienungsanleitung auf Materialfehler zurückzuführen sind.

Die Garantie erfolgt in der Weise, dass mangelhafte Teile nach unserer Wahl unentgeltlich instandgesetzt oder durch einwandfreie Teile ersetzt werden. Ersetzte Teile gehen in unser Eigentum über. Durch die Instandsetzung oder Ersatz einzelner Teile wird die Garantiezeit weder verlängert noch wird neue Garantiezeit für das Gerät in Gang gesetzt. Für eingebaute Ersatzteile läuft keine eigene Garantiefrist. Wir übernehmen keine Garantie für Schäden und Mängel an Geräten oder deren Teile, die durch übermäßige Beanspruchung, unsachgemäße Behandlung und Wartung auftreten. Das gilt auch bei Nichtbeachtung der Bedienungsanleitung sowie Einbau von Ersatz- und Zubehörteile, die nicht in unserem Programm aufgeführt sind. Beim Eingreifen oder Veränderungen an dem Gerät durch Personen, die hierzu nicht von uns ermächtigt sind, erlischt der Garantieanspruch.

Schäden, die auf unsachgemäße Handhabung, Überlastung oder auf natürliche Abnutzung zurückzuführen sind, bleiben von der Garantie ausgeschlossen.

Der Hersteller haftet nicht für Folgeschäden. Schäden, die durch Herstelleroder Materialfehler entstanden sind, werden durch Reparatur- oder Ersatzlieferung unentgeltlich behoben.

Voraussetzung ist, dass das Gerät zerlegt und vollständig mit Kauf- und Garantienachweis übergeben wird.

Verwenden Sie im Garantiefall ausschließlich die Originalverpackung.

So garantieren wir Ihnen eine reibungslose und schnelle Garantieabwicklung.

Bitte senden Sie die Geräte "frei Haus" ein oder fordern Sie einen Freeway-Aufkleber an. Unfreie Einsendungen können wir leider nicht annehmen! Die Garantie bezieht sich nicht auf die Teile, die durch eine natürliche Abnutzung verschlissen werden.

Bei Garantieanspruch, Störungen, Ersatzteil- oder Zubehörbedarf wenden Sie sich bitte an die hier aufgeführte Kundendienstzentrale:

Änderungen vorbehalten.

Postaverstrasse 26

84109 Wörth/Isar

DE

www.matrix-direct.net

service@matrix-direct.net

Tel.: +49(0) 1806/841090

Fax: +49(0) 8702/45338-98

F GARANTIE

Cet appareil est un produit de qualité. Il a été conçu selon les connaissances techniques actuelles et construit soigneusement en utilisant une bonne matière première courante.

La durée de garantie est de 24 mois et commence à courir au moment de la remise qui doit être attestée en présentant le ticket de caisse, la facture ou le bon de livraison. Pendant la période de garantie, toutes les anomalies fonctionnelles sont éliminées par notre service après-vente résultant, malgré une manipulation correcte conformément à notre notice d'utilisation, d'un vice de matériel.

La garantie se déroule de façon à ce que les pièces défectueuses soient réparées gratuitement ou remplacées par des pièces impeccables, selon notre choix. Les pièces remplacées deviennent notre propriété. La réparation ou le remplacement de certaines pièces n'entraîne aucune prolongation de la durée de garantie ni une nouvelle garantie pour l'appareil. Les pièces de rechange montées n'ont pas de durée de garantie propre. Nous n'accordons aucune garantie pour des dommages et défauts sur les appareils ou leurs pièces découlant d'une trop forte sollicitation, d'une manipulation non conforme ou d'un manque d'entretien.

Cela vaut également en cas de non-respect de la notice d'utilisation ainsi que pour le montage de pièces de rechange et d'accessoires qui ne gurent pas dans notre gamme. En cas d'interventions ou de modifications de l'appareil effectuées par des personnes que nous n'avons pas mandatées, le droit à la garantie devient caduc. Les dommages résultant d'une manipulation non conforme, d'une surcharge ou d'une usure normale sont exclus de la garantie.

Il sera remédié sans frais aux dommages dus à un défaut de fabrication ou à un défaut sur le matériel par une réparation ou par le remplacement de l'appareil.

A condition que l'appareil soit rapporté non démonté et complet avec la preuve d'achat et le bon de garantie.

Pour faire fonctionner la garantie, utilisez exclusivement l'emballage original. Nous vous assurons ainsi un fonctionnement rapide et sans problème de la garantie.

Veillez envoyer les appareils „ franco usine „ ou demandez un autocollant Freeway. Nous ne pouvons malheureusement pas accepter les expéditions non archivées !

La garantie ne s'étend pas au pièces usées en raison d'une usure naturelle.

En cas de demande de garantie, de pannes, de demande de pièces de rechanges ou d'accessoires, veuillez vous adresser à la centrale du service après-vente ci-dessous :

Sous réserve de modifications.

5, allée des hêtres

BP 30084, 69579 Limonest Cedex

www.stanleyoutillage.fr

scuf@sbinc.com

Tel: 04 72 20 39 77

Fax: 04 72 20 39 00

GR Εγγύηση

Αυτό το μηχανήμα είναι ένα προϊόν ποιότητας. Είναι σχεδιασμένο σε συμμόρφωση με τα σύγχρονα τεχνικά πρότυπα και κατασκευασμένο με καλά και ποιοτικά υλικά. Η περίοδος εγγύησης είναι 24 μήνες και ξεκινά από την ημερομηνία αγοράς που επιβεβαιώνεται από την απόδειξη αγοράς. Κατά το χρόνο της εγγύησης όλα τα λειτουργικά προβλήματα παρόμοια την καλή λειτουργία του μηχανήματος και τα οποία προκύπτουν από ελαττώματα του εργαλείου θα επισκευάζονται από το εξουσιοδοτημένο σέρβις μας. Η εγγύηση καλύπτει την επισκευή και την αλλαγή ελαττωματικών μερών με καινούρια ανταλλακτικά χωρίς χρέωση. Τα παλιά ανταλλακτικά θα ανήκουν σε εμάς. Η αλλαγή ανταλλακτικών ή η επισκευή του μηχανήματος δεν θα παρατείνουν το χρόνο εγγύησης ούτε σηματοδοτούν την εκκίνηση καινούριου χρόνου εγγύησης για το μηχανήμα. Δεν θα ξεκινάει καινούριος χρόνος εγγύησης για ανταλλακτικά τα οποία τοποθετούνται. Δεν μπορούμε να δώσουμε εγγύηση για ζημιές και ελαττώματα του μηχανήματος που έχουν προκύψει από υπερφόρτωση, ακατάλληλη χρήση και σέρβις. Αυτό ισχύει και για την μη συμμόρφωση στις οδηγίες χρήσης και της εγκατάστασης ανταλλακτικών και αξεσουάρ που δεν περιλαμβάνονται στην γκάμα των προϊόντων μας.

Σε περίπτωση αλλαγών ή ρυθμίσεων του μηχανήματος από μη εξουσιοδοτημένο προσωπικό η εγγύηση παύει να ισχύει. Παρακαλούμε να μας στείλετε τα μηχανήματά σας έχοντας πληρώσει τα μεταφορικά. Δυστυχώς δεν θα μπορούσαμε να παραλάβουμε μηχανήματα που δεν έχουν πληρωμένα τα μεταφορικά τους. Η εγγύηση δεν καλύπτει τα αναλώσιμα ανταλλακτικά. Εάν θέλετε να παραγγείλετε ανταλλακτικά, να αναφέρετε προβλήματα ή να ζητήσετε την εγγύηση σας παρακαλώ επικοινωνήστε με τον προμηθευτή σας.

Antheon 6, Koropi
19400 Athens
GR
www.nikolaoutools.gr
Tel: 210 9753757
Fax: 0030 210 9737423

EE GARANTII

Käesolev seade on kvaliteettoode. See on kavandatud kooskõlas kehtivate tehniliste standarditega ja selle valmistamiseks on kasutatud standardseid kvaliteetseid materjale. Garantiiäeg on 24 kuud ja jõustub alates ostukuupäevast, mida tõendatakse ostukviitungi, arve või üleandmisaktiga. Garantiiperioodi ajal kõrvaldab meie müüjajärgne teenindus seadme mis tahes funktsionaalse rikke, mis on tekkinud materjalivigade tõttu, vaatamata seadme nõuetekohasele käsitlemisele, nagu kirjeldatud meie kasutusjuhendis. Garantii raames parandame defektsed osad või asendame need töökorras osadega tasuta oma äranägemise järgi. Väljavahetatud osad jäävad meie omandisse. Remontitööd või üksikosade vahetamine ei pikenda garantii perioodi ja selle tulemusena ei anta seadmele uut garantii. Sisesehitatud varuosadele ei kehti eraldi garantiid. Me ei saa anda garantiid seadmetele või osade kahjustustele või defektidele, mis on põhjustatud üleäärase jõu rakendamisest seadme kallal ja seadme ebaõigest kasutamisest või hooldamisest. See kehtib ka kasutusjuhendi mittejärgmise korral ning varuosade ja lisatarvikute paigaldamisel, mis ei pärine meie tootevalikust. Seadme omavolilise muutmise korral volitamata isikute poolt kaotab garantii kehtivuse. Garantii ei kehti kahjustuste korral, mis on tingitud seadme ebaõigest käsitlemisest, ülekoormamisest või loomulikust kulumisest. Tootja põhjustatud või materjalivigadest tingitud kahjustused parandatakse või asendatakse uute varuosadega ilma selle eest tasu nõudmata.

Eelduseks on, et seade antakse üle kokkumonteeritult ja tervikuna ning ostu- ja garantiitõendiga. Garantiiuude esitamisel kasutage ainult originaalpakendit. Sellisel juhul saame me tagada kiire ja sujuva garantiimenetluse. Palun saatke meile seade, tasudes ise saatkulud või nõudke Freeway-kleebist. Kahjuks ei saa me aksepteerida seadmeid, mille saatmise eest ei ole tasutud. Garantii ei laiene osadele, mis on purunenud loomuliku kulumise tõttu. Kui te soovite esitada garantiinõude, teatada rikestest või tellida varuosi või lisatarvikuid, siis palun võtke ühendust alitudood müüjajärgse teeninduskeskusega.

Käesolevat teavet võidakse muuta ilma ette teatamata.

AS Tallmac
Mustame tee 44,
EE-10621 Tallinn
www.tallmac.ee/est
T: +372 6562999
F: +372 6562855

PT GARANTIA

Este equipamento é um artigo de qualidade. Foi concebido tendo em conta os avanços tecnológicos actuais e construído cuidadosamente com melhores materiais. O período de garantia é de 24 meses e começa com a data de entrega que deve ser comprovada mediante recibo, factura ou nota de devolução. Dentro do período de garantia, todas as avarias serão reparadas pela nossa assistência técnica. A garantia cobre os custos de eventuais danos, pelo que, as reparações serão feitas gratuitamente e, em caso de substituição, serão usadas peças novas. As peças de substituição são nossa propriedade. A reparação ou substituição de componentes individuais não pressupõe o prolongamento nem a execução de uma nova garantia. As peças de substituição que possam ser instaladas não têm um período de garantia individual. Não assumimos a responsabilidade de danos ou defeitos decorrentes de uso abusivo, utilização ou manutenção incorrectas. Isto também se aplica à não-observância do manual de instruções assim como a instalação de peças de substituição ou acessórios que não façam parte do programa. A garantia perde a validade se forem feitas modificações por pessoas não autorizadas por nós. Os danos causados por manuseio incorrecto, sobrecarga ou desgaste natural estão excluídos da garantia. O fabricante não é responsável por estes danos. Os danos causados por falha do fabricante

ou do material serão reparados gratuitamente. O único requisito é que o equipamento esteja originalmente intacto e que contenha a garantia e a prova de compra. Em caso de garantia, utilize sempre a embalagem original, para que o procedimento seja mais rápido e cómodo. Por favor, envie os equipamentos como "entrega gratuita" ou peça um livre trânsito. Podemos não aceitar entregas não pagas! A garantia não se aplica a componentes gastos devido ao desgaste natural. Por favor contacte o apoio a clientes para informações acerca de garantias, danos, peças de substituição e acessórios.

Sujeito a alterações

Quinta da Fonte - Edifício Q55 D, Diniz
Rua dos Malhões, 2 e 2A - Piso 2, Esquerda
2770 - 071 Paço de Arcos
www.stanleyworks.pt
resposta.posvenda@sbdinc.com
Tel: 214 66 75 00
Fax: 214 66 75 75

ES GARANTÍA

Uredaj je visoko kvalitetan proizvod. Konstruisan je uz uvažavanje Este aparato es un producto de calidad. Ha sido diseñado según los conocimientos técnicos actuales y ha sido construido minuciosamente utilizando una buena materia prima corriente.

La duración de la garantía es de 24 meses y comienza a tener efecto en el momento de la entrega la cual debe ser respaldada presentando el recibo de caja, la factura o el albarán de entrega. Durante el periodo de garantía, todas las anomalías funcionales son eliminadas por nuestro servicio posventa resultante, a pesar de una manipulación correcta conforme a nuestra comunicación de uso, de un vicio de material.

La garantía se desarrolla de manera que las piezas defectuosas son reparadas gratuitamente o sustituidas por piezas impecables, de nuestra elección. Las piezas sustituidas pasan a ser de nuestra propiedad. La reparación o la sustitución de ciertas piezas no entrañan ninguna prolongación de la duración de la garantía ni una nueva garantía para el aparato. Las piezas de recambio montadas no tienen duración de garantía propia. Nosotros no damos nuestra conformidad a ninguna garantía por los daños y defectos sobre los aparatos o sus piezas que deriven de una súplica demasiado fuerte, de una manipulación no conforme o de una falta de mantenimiento.

Esto vale igualmente en caso de no respeto de la comunicación de uso así como por el montaje de piezas de recambio y de accesorios que no figuren en nuestra gama. En caso de intervenciones o de modificaciones del aparato efectuadas por personas a las cuales nosotros no hemos ordenado, el derecho a la garantía queda invalidado. Los daños resultantes de una manipulación no conforme, de una sobrecarga o de un desgaste normal están excluidos de la garantía.

Serán reparados sin gastos los daños debidos a un defecto de fabricación o a un defecto de los materiales por una reparación o por la sustitución del aparato.

Con la condición de que el aparato sea devuelto sin desmontar y completo con la prueba de compra y el bono de garantía.

Para que funcione la garantía, se debe utilizar exclusivamente el embalaje original.

Así aseguramos un funcionamiento rápido y sin problemas de la garantía. Le rogamos nos envíe los aparatos "franco fábrica" o solicitar un adhesivo Freeway.

Desgraciadamente no podemos aceptar las expediciones que no estén exentas de obligación!

La garantía no se extiende a las usadas como resultado de un desgaste natural.

En caso de reclamación de garantía, de averías, de reclamación de piezas de recambio o de accesorios, le rogamos que se dirija a la central de atención posventa que se indica a continuación:

Con la reserva de modificaciones.

Parque de Negocios "Mas Blau"
Edificio Muntadas, c/Bergadá, 1, Of. A6
08820 El Prat de Llobregat (Barcelona)
www.stanleyworks.es
respuesta.posventa@sbdinc.com
Tel.: 934 797 400
Fax: 934 797 419

PL Gwarancja

Urządzenie to jest wyrobem o wysokiej jakości. Zostało ono starannie skonstruowane przy uwzględnieniu aktualnej wiedzy technicznej i przy zastosowaniu normalnie używanych materiałów o dobrej jakości.

Termin gwarancji wynosi 24 miesiące i rozpoczyna się z dniem wydania urządzenia, co należy udokumentować paragonem kasowym, rachunkiem albo dowodem dostawy. W ciągu terminu gwarancji wszystkie wady funkcjonalne urządzenia są usuwane przez nasz serwis, jeżeli można wykazać, że są one wynikiem wad materiałowych, pomimo zgodnego z naszą instrukcją obsługi ostrożnego obchodzenia się z urządzeniem.

Realizacja gwarancji następuje w ten sposób, że wadliwe części są, według naszego wyboru nieodpłatnie naprawiane albo wymieniane na części wolne od wad. Wymontowane części stają się naszą własnością. Naprawa albo wymiana poszczególnych części nie powoduje przedłużenia okresu gwarancji, ani też nie rozpoczyna na nowo biegu terminu gwarancji dla urządzenia. Zamontowane części zamienne nie posiadają własnego terminu gwarancji. Nie przejmujemy żadnej gwarancji za szkody i wady powstałe w urządzeniach albo ich częściach, które wystąpiły wskutek nadmiernej obciążenia, niewłaściwego sposobu obchodzenia się i niewłaściwej konserwacji. Dotyczy to również nieprzestrzegania instrukcji obsługi oraz montażu części zamiennych i elementów wyposażenia, nie występujących w naszym programie produkcyjnym. W przypadku ingerencji albo wprowadzenia zmian w urządzeniu przez osoby, które nie zostały przez nas do tego upoważnione, uprawnienia wynikające z gwarancji wygasają. Z gwarancji wyłączone są szkody spowodowane niewłaściwym sposobem obsługi, przeciążeniem albo naturalnym zużyciem.

Producent nie odpowiada za szkody powstałe w wyniku eksploatacji. Szkody powstałe w wyniku błędów produkcyjnych albo wad materiałowych zostaną nieodpłatnie usunięte poprzez naprawę albo wymianę.

Warunkiem jest przekazanie urządzenia w stanie nie zdemontowanym, kompletnego z dowodem zakupu i dokumentem gwarancyjnym.

W przypadku napraw gwarancyjnych prosimy używać wyłącznie oryginalnego opakowania.

W ten sposób gwarantujemy Państwu sprawne i szybkie załatwienie naprawy gwarancyjnej.

Proszę przesłać nam urządzenie franco siedziba odbiorcy albo zażądać naklejki Freeway. Niestety nie możemy przyjmować przesyłek obciążonych kosztami!

Gwarancja nie obejmuje części ulegających naturalnemu zużyciu eksploatacyjnemu.

W przypadku rozszycen gwarancyjnych, usterek, zapotrzebowania na części zamienne albo na elementy wyposażenia prosimy zwracać się do podanej tutaj centrali serwisu:

Erpatech
ul. Bakaliowa 26
05-080 Mościska
www.stanleyworks.pl
Tel.: +48 22 431 05 00
Fax.: +48 22 468 87 35

F GARANTIE

Cet appareil est un produit de qualité. Il a été conçu selon les connaissances techniques actuelles et construit soigneusement en utilisant une bonne matière première courante.

La durée de garantie est de 24 mois et commence à courir au moment de la remise qui doit être attestée en présentant le ticket de caisse, la facture ou le bon de livraison. Pendant la période de garantie, toutes les anomalies fonctionnelles sont éliminées par notre service après-vente résultant, malgré une manipulation correcte conformément à notre notice d'utilisation, d'un vice de matériel.

La garantie se déroule de façon à ce que les pièces défectueuses soient réparées gratuitement ou remplacées par des pièces impeccables, selon notre choix. Les pièces remplacées deviennent notre propriété. La réparation ou le remplacement de certaines pièces n'entraîne aucune prolongation de la durée de garantie ni une nouvelle garantie pour l'appareil. Les pièces de rechange montées n'ont pas de durée de garantie propre. Nous n'accordons aucune garantie pour des dommages et défauts sur les appareils ou leurs pièces découlant d'une trop forte sollicitation, d'une manipulation non conforme ou d'un manque d'entretien.

Cela vaut également en cas de non-respect de la notice d'utilisation ainsi que pour le montage de pièces de rechange et d'accessoires qui ne gurent pas dans notre gamme. En cas d'interventions ou de modifications de l'appareil effectuées par des personnes que nous n'avons pas mandatées, le droit à la garantie devient caduc. Les dommages résultant d'une manipulation non conforme, d'une surcharge ou d'une usure normale sont exclus de la garantie.

Il sera remédié sans frais aux dommages dus à un défaut de fabrication ou à un défaut sur le matériau par une réparation ou par le remplacement de l'appareil.

A condition que l'appareil soit rapporté non démonté et complet avec la preuve d'achat et le bon de garantie.

Pour faire fonctionner la garantie, utilisez exclusivement l'emballage original. Nous vous assurons ainsi un fonctionnement rapide et sans problème de la garantie. Veuillez envoyer les appareils „ franco usine „ ou demandez un autocollant Freeway. Nous ne pouvons malheureusement pas accepter les expéditions non aranchies !

La garantie ne s'étend pas au pièces usées en raison d'une usure naturelle. En cas de demande de garantie, de pannes, de demande de pièces de rechanges ou d'accessoires, veuillez vous adresser à la centrale du service après-vente ci-dessous :

Sous réserve de modifications.

5, allée des hêtres
BP 30084, 69579 Limonext Cedex
www.stanleyoutillage.fr
scufr@sbdinc.com
Tel: 04 72 20 39 77
Fax: 04 72 20 39 00

HU SZAVATOSSÁG

Ez a készülék minőségi termék. Szerkesztése a jelenlegi műszaki ismeretek figyelembe vételével történt, és azt a szokásos jó minőségű anyagok felhasználásával, gondos munkával készítettük.

A szavatossági időtartam 24 hónap, mely az átadás időpontjában kezdődik, s amit pénztárblokkal, számlával, vagy szállítólevéllel kell igazolni. A szavatossági idő alatt minden olyan működési hibát ügyfélszolgálatunk szüntet meg, mely bizonyíthatóan, a használati utasításnak megfelelő óvatossággal történő használat ellenére anyaghibára vezethető vissza.

A szavatosság érvényesítése úgy történik, hogy a hibás alkatrészt saját döntésünk alapján vagy díjmentesen megjavítjuk, vagy pedig kifogástalan alkatrészsel helyettesítjük. A kicserélt alkatrészek a tulajdonunkba kerülnek.

Az egyes alkatrészek javítása, vagy cseréje révén a szavatossági idő nem hosszabbodik meg és a készülékre vonatkozóan sem állapítunk meg új szavatossági időt. A beépített alkatrészekre nem vonatkozik saját szavatossági határidő. A készülékek és alkatrészeik olyan hibáért és hiányosságaiért, melyek túlzott igénybevétel, szakszerűtlen használat és karbantartás miatt következnek be, nem vállalunk szavatosságot.

Ez érvényes a kezelési utasítás figyelmen kívül hagyására, valamint az olyan alkatrészek és tartozékok beépítésének esetére is, melyek nem szerepelnek programunkban. Ha olyan személyek nyúlnak bele a készülékbe, vagy módosítják azt, akiket erre nem hatalmaztunk fel, a szavatossági igény megszűnik. Az olyan károk esetében, melyek szakszerűtlen használatra, túlterhelésre vagy természetes elhasználódásra vezethetők vissza, a szavatosság nem érvényes.

A gyártási, vagy anyaghibára visszavezethető károkat javítással, vagy cserekészülék biztosításával térítésmentesen szüntetjük meg. Ennek az a feltétele, hogy a teljes készüléket szétzedsen nélkül a számlával és a szavatossági jeggyel együtt szállítja be.

Garanciális esetben kizárólag az eredeti csomagolást használja.

A szavatossági eset problémamentes és gyors lebonyolítását így tudjuk garantálni.

Kérjük, küldjék be a készüléket „frei Haus” (bérmentesítve), vagy igényeljenek hozzá egy Freeway-matricát (előre megfizetett postaköltség). A nem bérmentesített küldeményeket sajnos nem tudjuk elfogadni!

A szavatosság nem vonatkozik olyan alkatrészekre, melyek a természetes elhasználódás következtében vannak kitéve kopásnak. Szavatossági igény, hibák, valamint alkatrészek és tartozékok iránti igény esetén forduljanak az alább feltüntetett ügyfélszolgálati központhoz.

A változtatások jogát fenntartjuk.

Rotel Kft.
1163 Budapest, Thököly út 17.
www.stanleyworks.hu
service@rotelkft.hu
Tel +36 1 404-0014
Fax+36 1 403-2260

NL GARANTIE

Dit apparaat is een kwaliteitsproduct. Het is ontworpen conform de actuele technische kennis en zorgvuldig vervaardigd uit voor het doel geschikt materiaal.

De garantieperiode bedraagt 24 maanden en gaat in op het moment van de aflevering, die vermeld moet staan op de kassabon, rekening of het afleveringsbewijs.

Binnen de garantieperiode lost de klantenservice alle storingen op die, ondanks behandeling van het apparaat volgens de voorschriften zoals die vermeld staan in de handleiding, worden veroorzaakt door materiaalfouten.

In een dergelijk geval zullen defecte onderdelen kosteloos worden gerepareerd of vervangen door correct functionerende onderdelen, e.e.a. ter beoordeling van ons. Vervangen onderdelen worden ons eigendom. Door reparatie of vervanging van onderdelen wordt de garantieperiode noch verlengd, noch gaat een nieuwe garantieperiode voor het apparaat in. Ingebouwde vervangingsonderdelen zijn niet onderhevig aan een eigen garantietermijn. Wij kunnen geen garantie verstrekken voor schade en gebreken aan apparaten of de onderdelen hiervan, ontstaan ten gevolge van overmatig gebruik, een foutieve behandeling resp. verkeerd onderhoud.

Dit is ook van toepassing wanneer de gebruikshandleiding niet wordt opgevolgd, alsmede wanneer vervangingsonderdelen en accessoires worden aangebracht die niet in ons leveringsprogramma vermeld staan. Bij aanpassingen van of wijzigingen aan het apparaat door personen, die hiertoe niet door ons gemachtigd zijn, vervalt het recht op garantie.

Defecten die het gevolg zijn van onoordeelkundig gebruik, overbelasting of normale slijtage, vallen niet onder de garantie.

Defecten die het gevolg zijn van productie- of materiaalfouten, worden kosteloos verholpen; indien vereist ontvangt u een soortgelijk apparaat. Voorwaarde voor garantie is dat het apparaat in niet gedemonteerde toestand en compleet tezamen met aankoopbewijs en de garantietaart wordt overhandigd. Gebruik in geval van aanspraak op garantie uitsluitend de originele verpakking. Alleen dan kunnen wij u een probleemloze en snelle garantieafwikkeling garanderen.

Stuur de apparaten franco op of informeer naar een Freeway-sticker. Niet gefrankeerde zendingen kunnen wij helaas niet aannemen! De garantie geldt niet voor onderdelen, die door gebruikelijke slijtage versleten zijn. Neem contact op met de klantenservice wanneer u een beroep doet op garantie, bij storingen, wanneer u vervangingsonderdelen of accessoires nodig heeft:

Stanley Black & Decker Netherlands B.V.
Postbus 83
6120 AD Born
www.stanleyworks.nl
Enduser.NL@SBDinc.com
Tel : +31 164 28 30 63
NL Fax: +31 164 28 32 00

CZ ZARUKA

Zakoupený přístroj je velmi kvalitním produktem. Při jeho konstrukci byly zohledněny veškeré technické poznatky a při výrobě byly použity běžné kvalitní materiály.

Záruční doba činí 24 měsíců a začíná okamžikem předání zakoupeného přístroje, které musí být prokázáno předložením faktury, pokladního dokladu nebo dodacího listu. Během záruční doby naše zákaznická služba odstraní veškeré funkční závady, které vznikly i přes opatrné zacházení podle našich provozních pokynů jako důsledek materiální vady. Vadné součástky budou dle našeho uvážení bezplatně opraveny nebo vyměněny za nové. Nahrazené části přecházejí do našeho vlastnictví. Oprava nebo výměna nejsou důvodem pro prodloužení či obnovení záruční doby přístroje. Na vyměněné součástky neposkytujeme žádnou samostatnou záruční dobu. Nepřebíráme záruku za škody a nedostatky způsobené přežehováním, neodborným zacházením či chybnou údržbou přístroje. Totéž platí při nedodržení pokynů návodu k obsluze a instalaci náhradních dílů i příslušenství neuvedených v našem programu. Při zásahu nebo změně přístroje námi nepovolnými osobami nárok na záruku zaniká. Škody vzniklé neodborným zacházením, přetížením nebo přirozeným opotřebením jsou ze záruky vyloučeny.

Poškození, jejichž příčinou je materiálová nebo výrobní vada, budou bezplatně opraveny nebo obdržíte náhradní přístroj. Předpokladem k tomu je předání nerozloženého přístroje se záručním listem a dokladem o zakoupení.

V případě uplatňování záruky použijte originální obal. Jen tak bude vaše záruka bez problémů a rychle vyřízena. Přístroj zašlete vyplacene nebo si vyžádejte nálepku Freeway. Nevypáčené zásilky nebudeme moci převzít!

Záruka se nevztahuje na přirozeně opotřebené části. Při uplatňování záruky, poruchách, objednávání náhradních dílů nebo příslušenství se obračejte na uvedeně středisko zákaznické služby:

BAND SERVIS CZ s.r.o.
K Pasekam 4440
760 01 Zlín, Czech Republic
www.stanleyworks.cz
http://www.bandservis.cz
Tel.: +420 577 008 550
Fax.: +420 577 008 559

Petrol brush cutter / SPS-1400

(GB) WARRANTY

Purchased at: _____
 in (city, street): _____
 Name of customer: _____
 Street address: _____
 Postal code, city: _____
 Telephone: _____
 Date, signature: _____
 Fault description: _____

(D) GARANTIE

gekauft bei: _____
 in (Ort, Straße): _____
 Name d. Käufers: _____
 Straße, Haus-Nr.: _____
 PLZ, Ort : _____
 Telefon: _____
 Datum, Unterschrift: _____
 Fehlerbeschreibung: _____

(EE) GARANTII

Ostetud: _____
 Linn, tänav: _____
 Kliendi nimi: _____
 Aadress (tänav): _____
 Postiindeks, linn: _____
 Telefon: _____
 Kuupäev, allkiri: _____
 Rikke kirjeldus: _____

(F) GARANTIE

Acheté chez : _____
 à (ville, rue) : _____
 Nom de l'acheteur : _____
 Rue, N° : _____
 CP, ville : _____
 Téléphone : _____
 Date, signature : _____
 Description du défaut : _____

(GR) Εγγύηση

Αγορασμένο στο: _____
 Διεύθυνση (πόλη, οδός): _____
 Όνομα πελάτη: _____
 Διεύθυνση πελάτη: _____
 Ταχυδρομικός κώδικας, πόλη: _____
 Τηλέφωνο: _____
 Ημερομηνία, υπογραφή: _____
 Περιγραφή βλάβης: _____

(PT) GARANTIA

Adquirido em: _____
 em (morada): _____
 Nome do Comprador: _____
 Morada: _____
 Código Postal: _____
 Telefone: _____
 Data, Assinatura: _____
 Descrição da Avaria: _____

(ES) GARANTÍA

Comprado en: _____
 en (ciudad, calle): _____
 Nombre del comprador: _____
 Calle, N°: _____
 CP, ciudad: _____
 Teléfono: _____
 Fecha, firma: _____
 Descripción del defecto: _____

(PL) Gwarancja

kupiono u: _____
 w (miejscowosc, ulica): _____
 nazwisko kupujacego: _____
 ulica, nr domu: _____
 kod pocztowy, miejscowosc: _____
 telefon: _____
 data, podpis: _____
 opis usterki: _____

(HU) JÓTÁLLÁS

Vásárlás helye: _____
 Cím (település, utca): _____
 A vásárló neve: _____
 Utca, házsorszám: _____
 IRSZ, település: _____
 Telefon: _____
 Dátum, aláírás: _____
 A hiba leírása: _____

(NL) GARANTIE

Gekocht bij: _____
 In (plaats, straat): _____
 Naam v/d koper: _____
 Straat, huisnr.: _____
 Postcode, plaats : _____
 Telefoon: _____
 Datum, handtekening: _____
 Beschrijving van de fout: _____

CZ ZARUKA

Zakoupeno u: _____
V (místo, ulice): _____
Jméno prodejce: _____
Ulice, číslo domu: _____
PSC, místo : _____
Telefon: _____
Datum, Podpis: _____
Popis závady: _____