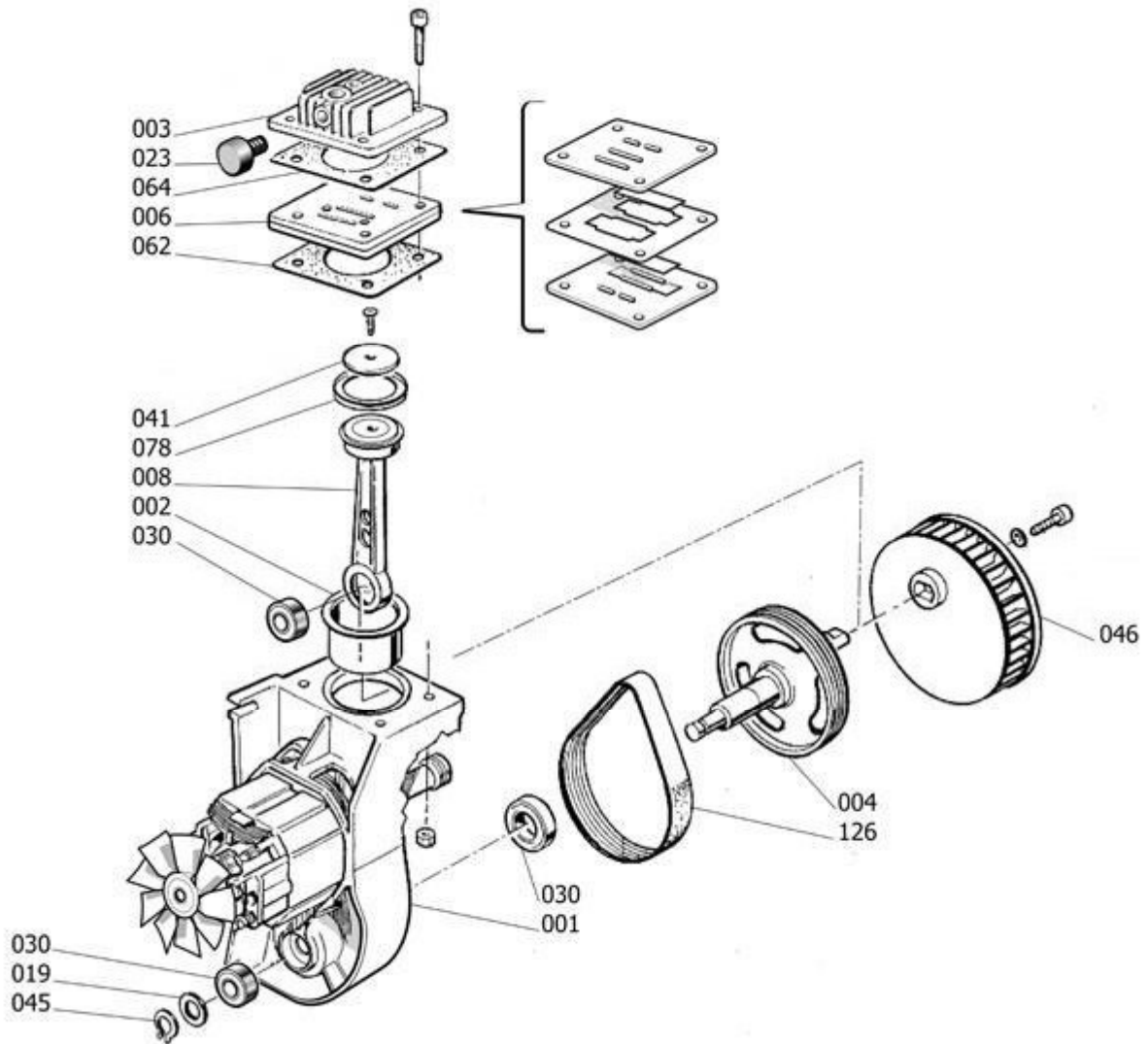




8117210STF502

DN 230/10/50V

Pos	Component	MU	Multiplier
23	9054016	AIR FILTER ASSEMBLY	PZ 1,0
49	9038663	UPPER HOUSING	PZ 1,0
50	9038915	LOWER HOUSING	PZ 1,0
105	9048087	CHECK VALVE	PZ 1,0
106	9047068	LINE COCK	PZ 1,0
107	9047079	CONDENSATE DRAIN COCK	PZ 1,0
108	9051312	PRESSURE REDUCER	PZ 1,0
109	9052178	PRESSURE GAUGE	PZ 1,0
110	9049156	RELIEF VALVE	PZ 1,0
112	9050521	NIPPLE/ELBOW	PZ 1,0
116	9038944	PLUG	PZ 2,0
124	9414249	CONN.SEND.PIPE SR10 MINIR.ROHS	PZ 1,0
131	9063202	COMPLETE PRESSURE SWITCH	PZ 1,0
132	9065910	POWER CABLE	PZ 1,0
133	9064806	SWITCH	PZ 1,0
145	9043593	DELIVERY PIPE	PZ 1,0
145	9043594	DELIVERY PIPE	PZ 1,0
200	C70000C	BARE PUMP	PZ 1,0
300	9421641	WHEELS/FEET MOUNTING KIT	PZ 1,0
486	9050613	PLUG	PZ 1,0





# C70000C

## BARE PUMP

Pos	Component	MU	Multiplier
1	A861102 CASING	PZ	1,0
2	A731040 CYLINDER	PZ	1,0
3	9415051 HEAD	PZ	1,0
4	A861202 SHAFT	PZ	1,0
8	C710100 COMPLETE CON-ROD	PZ	1,0
19	9131678 WASHER 5,3X12X1,5 ROHS	PZ	1,0
30	9170114 6001.2RS.C3.P6.V2.Z2.170\$.ROHS	PZ	1,0
30	9170130 BEARING 6203 2Z XL (345)	PZ	1,0
30	9415531 6201.2RS.C3.P6.V2.Z2.170\$.ROHS	PZ	1,0
41	C710300 CON-ROD COVER	PZ	1,0
45	9140211 SEEGER 12 UNI 7435 ROHS	PZ	1,0
46	9038484 FAN	PZ	1,0
62	A650300 CYLINDER-PLATE SEAL	PZ	1,0
64	9415052 PLATE-HEAD SEAL	PZ	1,0
78	9040019 PISTON RING	PZ	1,0
126	9075317 POLY V BELT	PZ	1,0