

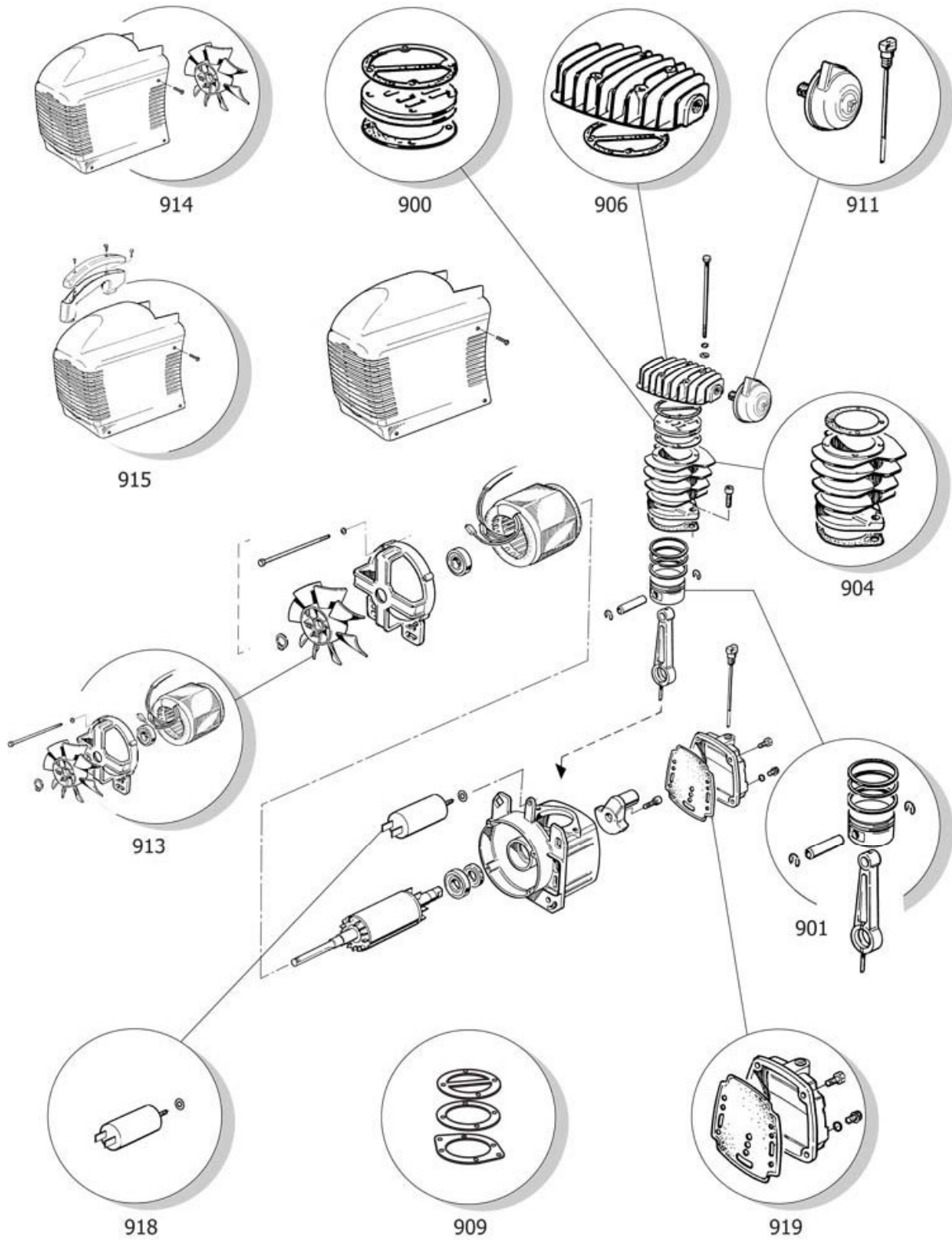


FCDV4G4STN054

DL 251/10/50

| Pos | Component | MU | Multiplier |
|-----|---------------|--------------------------|------------|
| 102 | 9042075 | WHEEL | PZ 2,0 |
| 103 | 9038705 | PIVOTING WHEEL/FOOT | PZ 1,0 |
| 105 | 9048073 | CHECK VALVE | PZ 1,0 |
| 106 | 9412204 | LINE COCK | PZ 2,0 |
| 107 | 9047079 | CONDENSATE DRAIN COCK | PZ 1,0 |
| 108 | 9051143 | PRESSURE REDUCER | PZ 1,0 |
| 109 | 9052069 | PRESSURE GAUGE | PZ 1,0 |
| 109 | 9052070 | PRESSURE GAUGE | PZ 1,0 |
| 110 | 9049019 | RELIEF VALVE | PZ 1,0 |
| 112 | 9050548 | NIPPLE/ELBOW | PZ 1,0 |
| 114 | 9011062 | WHEEL SPINDLE | PZ 2,0 |
| 116 | 9038001 | PLUG | PZ 2,0 |
| 117 | 9038687 | KNOB | PZ 1,0 |
| 127 | 9270006 | RILSAN PIPE 4/6 BLACK | MT 0,3 |
| 131 | 9063084ATL100 | COMPLETE PRESSURE SWITCH | PZ 1,0 |
| 132 | 9065097 | POWER CABLE | PZ 1,0 |
| 145 | 9043229 | DELIVERY PIPE | PZ 1,0 |
| 200 | FC0000CSTN901 | BARE PUMP | PZ 1,0 |
| 300 | 9421141 | WHEELS/FEET MOUNTING KIT | PZ 1,0 |

AFC99 - FC2



9415641



FC0000CSTN901

BARE PUMP

| Pos | Component | MU | Multiplier |
|-----|-----------|-------------------------|------------|
| 49 | 9038553 | UPPER HOUSING | PZ 1,0 |
| 900 | 9434A29 | MPK VALVE PLATE FC-VDC | PZ 1,0 |
| 901 | 9433011 | KIT CONROD FC2,2/MK2600 | PZ 1,0 |
| 904 | 9433041 | CYLINDER KIT | PZ 1,0 |
| 906 | 9433063 | KIT HEAD FC2 STN | PZ 1,0 |
| 909 | 9433091 | KIT PAPER GASKETS FC2,2 | PZ 1,0 |
| 911 | 9433110 | AIR FILTER KIT | PZ 1,0 |
| 913 | 9433134 | WOUND STATOR KIT | PZ 1,0 |
| 914 | 9433146 | CONVEYOR KIT | PZ 1,0 |
| 918 | 9429181 | CONDENSER KIT | PZ 1,0 |
| 919 | 9433197 | CASING COVER KIT | PZ 1,0 |