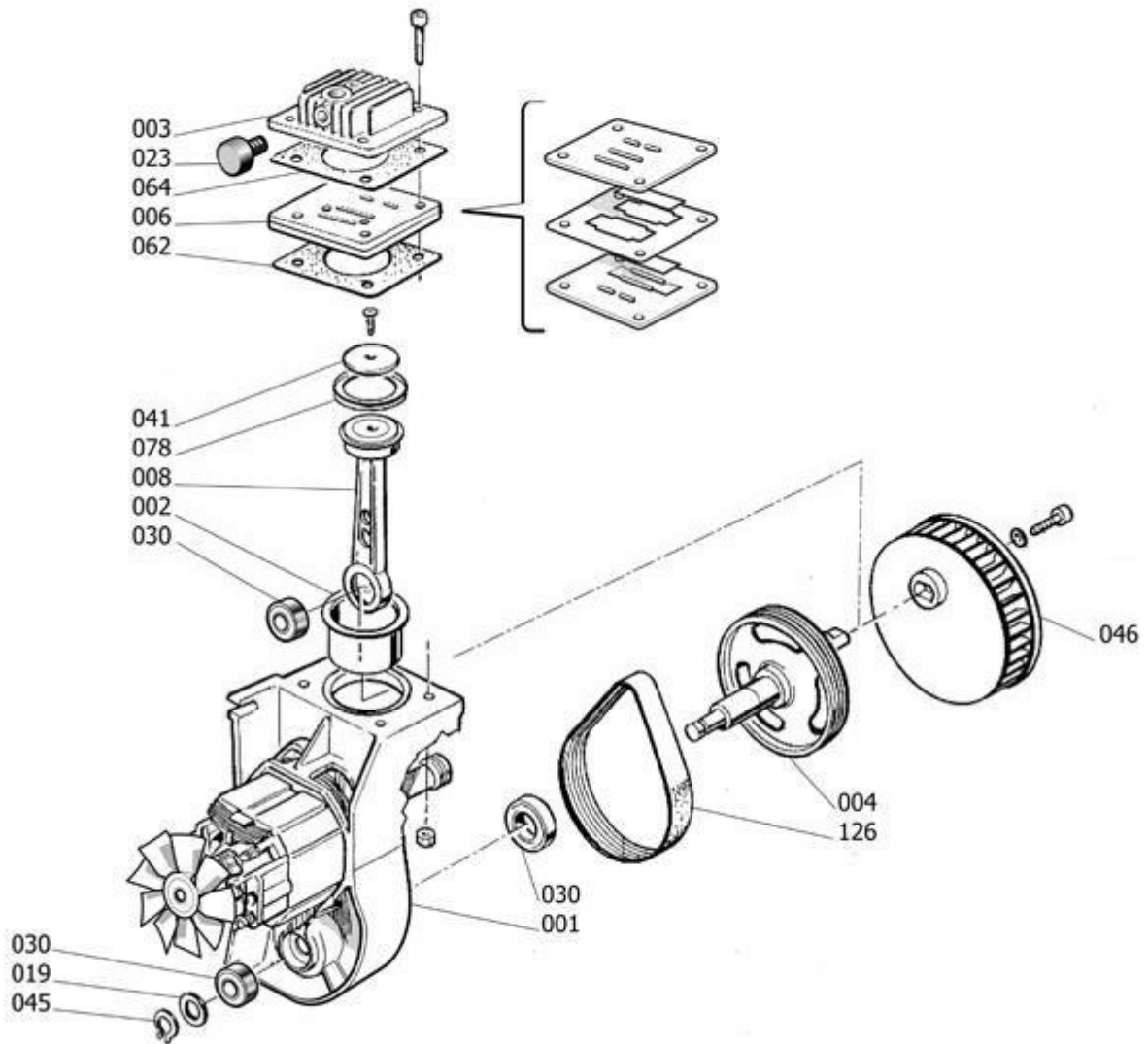




8213343STN592

D 270/10/100V

| Pos | Component | MU | Multiplier |
|-----|-----------|--------------------------|------------|
| 44 | 9067188 | TIE-ROD | PZ 2,0 |
| 49 | 9038594 | UPPER HOUSING | PZ 1,0 |
| 49 | 9038595 | UPPER HOUSING | PZ 1,0 |
| 80 | 9064867 | CONDENSER | PZ 1,0 |
| 102 | 9042077 | WHEEL | PZ 2,0 |
| 103 | 9038705 | PIVOTING WHEEL/FOOT | PZ 2,0 |
| 105 | 9048053 | CHECK VALVE | PZ 1,0 |
| 106 | 9412204 | LINE COCK | PZ 1,0 |
| 107 | 9047078 | CONDENSATE DRAIN COCK | PZ 1,0 |
| 108 | 9051170 | PRESSURE REDUCER | PZ 1,0 |
| 109 | 9052013 | PRESSURE GAUGE | PZ 2,0 |
| 110 | 9049019 | RELIEF VALVE | PZ 1,0 |
| 112 | 9050548 | NIPPLE/ELBOW | PZ 1,0 |
| 114 | 9011063 | WHEEL SPINDLE | PZ 2,0 |
| 116 | 9038352 | PLUG | PZ 2,0 |
| 117 | 9038599 | KNOB | PZ 1,0 |
| 127 | 9270006 | RILSAN PIPE 4/6 BLACK | MT 0,4 |
| 131 | 9063291 | COMPLETE PRESSURE SWITCH | PZ 1,0 |
| 132 | 9065820 | POWER CABLE | PZ 1,0 |
| 134 | 9065302 | COVER SEAL | PZ 1,0 |
| 145 | 9043195 | DELIVERY PIPE | PZ 1,0 |
| 200 | 9416988 | BARE PUMP | PZ 1,0 |
| 300 | 9421623 | WHEELS/FEET MOUNTING KIT | PZ 1,0 |
| 466 | 9038598 | CENTRAL PANEL | PZ 1,0 |





9416988

BARE PUMP

| Pos | Component | MU | Multiplier |
|-----|---|----|------------|
| 1 | 9415351 CASING | PZ | 1,0 |
| 2 | 9415350 CYLINDER | PZ | 1,0 |
| 3 | 7161400 HEAD | PZ | 1,0 |
| 4 | 9415352 SHAFT | PZ | 1,0 |
| 6 | 0540051 VALVE HOLDER PLATE | PZ | 1,0 |
| 8 | 0910110 COMPLETE CON-ROD | PZ | 1,0 |
| 23 | 7181101 AIR FILTER ASSEMBLY | PZ | 1,0 |
| 30 | 9170097 6005.2RS.P6.C3.V2.Z2.170\$.ROHS | PZ | 2,0 |
| 30 | 9170113 6203.ZZ.C3.P6.V2.Z2.170\$.ROHS | PZ | 1,0 |
| 41 | 0610301 CON-ROD COVER | PZ | 1,0 |
| 43 | 9415414 SHIELD MOTOR | PZ | 1,0 |
| 45 | 9140160 SEEGER 17 UNI 7436 (1,5) | PZ | 1,0 |
| 46 | 9415532 FAN | PZ | 1,0 |
| 62 | 7350302 CYLINDER-PLATE SEAL | PZ | 1,0 |
| 64 | 6750400 PLATE-HEAD SEAL | PZ | 1,0 |
| 77 | 9007015 REED VALVE | PZ | 2,0 |
| 78 | 9040012 PISTON RING | PZ | 1,0 |
| 126 | 9415354 POLY V BELT | PZ | 1,0 |