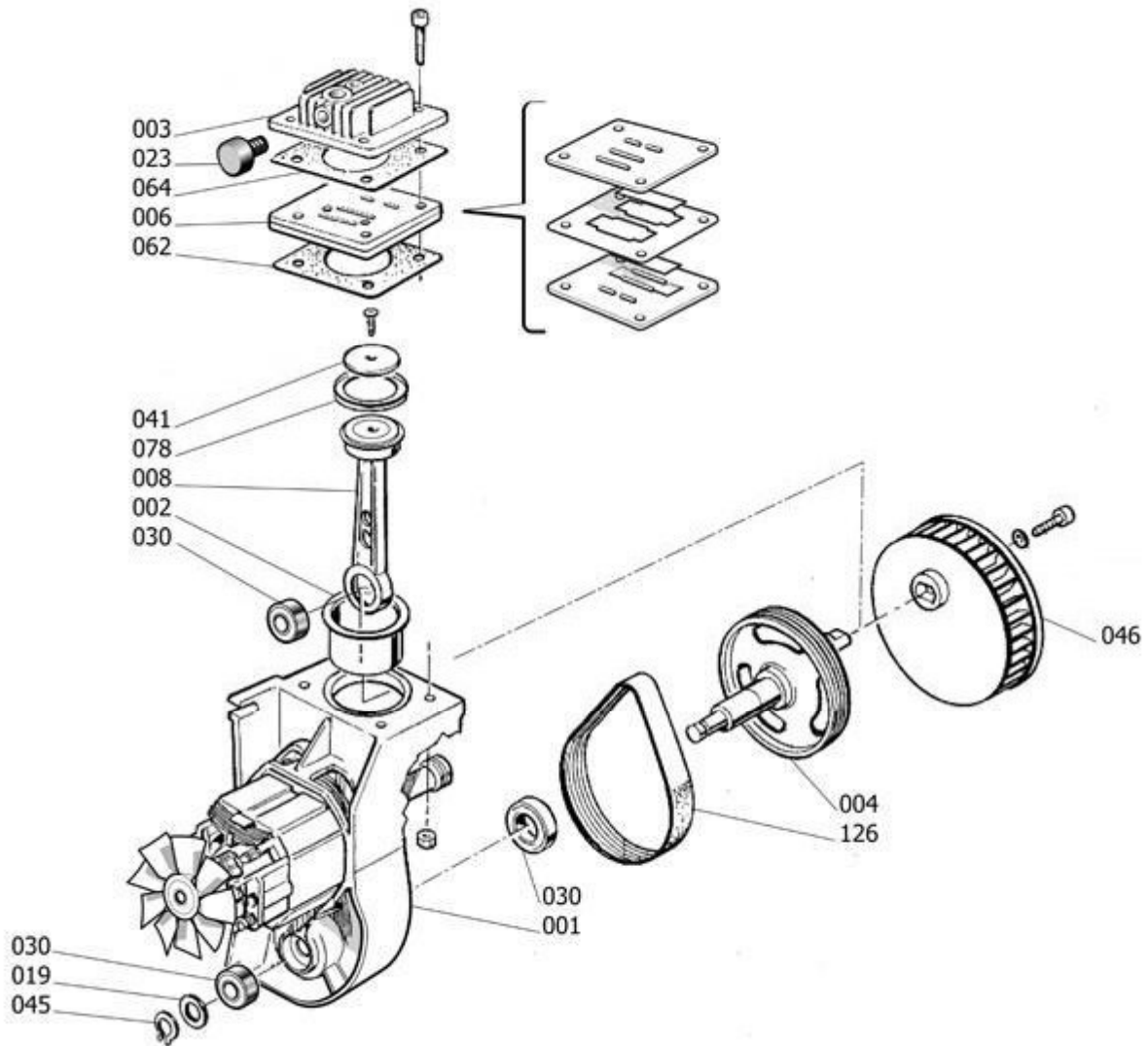




8117180STN067

D 230/10/50V

Pos	Component	MU	Multiplier
49	9038483	UPPER HOUSING	PZ 1,0
50	9038482	LOWER HOUSING	PZ 1,0
105	9048055	CHECK VALVE	PZ 1,0
106	9047087	LINE COCK	PZ 1,0
107	9047079	CONDENSATE DRAIN COCK	PZ 1,0
108	9051155	PRESSURE REDUCER	PZ 1,0
109	9052013	PRESSURE GAUGE	PZ 1,0
110	9049019	RELIEF VALVE	PZ 1,0
112	9050521	NIPPLE/ELBOW	PZ 1,0
124	9414249	CONN.SEND.PIPE SR10 MINIR.ROHS	PZ 1,0
131	9063202	COMPLETE PRESSURE SWITCH	PZ 1,0
132	9065835	POWER CABLE	PZ 1,0
133	9064799	SWITCH	PZ 1,0
145	9043688	DELIVERY PIPE	PZ 1,0
145	9043689	DELIVERY PIPE	PZ 1,0
200	C700000	BARE PUMP	PZ 1,0
300	9421639	WHEELS/FEET MOUNTING KIT	PZ 1,0





C700000

BARE PUMP

Pos	Component	MU	Multiplier
1	C761101 CASING	PZ	1,0
2	A731040 CYLINDER	PZ	1,0
3	9415051 HEAD	PZ	1,0
4	A861202 SHAFT	PZ	1,0
6	9415091 VALVE HOLDER PLATE	PZ	1,0
8	C710100 COMPLETE CON-ROD	PZ	1,0
19	9131678 WASHER 5,3X12X1,5 ROHS	PZ	1,0
23	9054016 AIR FILTER ASSEMBLY	PZ	1,0
30	9170114 6001.2RS.C3.P6.V2.Z2.170\$.ROHS	PZ	1,0
30	9170130 BEARING 6203 2Z XL (345)	PZ	1,0
30	9415531 6201.2RS.C3.P6.V2.Z2.170\$.ROHS	PZ	1,0
41	C710300 CON-ROD COVER	PZ	1,0
45	9140211 SEEGER 12 UNI 7435 ROHS	PZ	1,0
46	9038487 FAN	PZ	1,0
62	A650300 CYLINDER-PLATE SEAL	PZ	1,0
64	9415052 PLATE-HEAD SEAL	PZ	1,0
78	9040019 PISTON RING	PZ	1,0
126	9075317 POLY V BELT	PZ	1,0