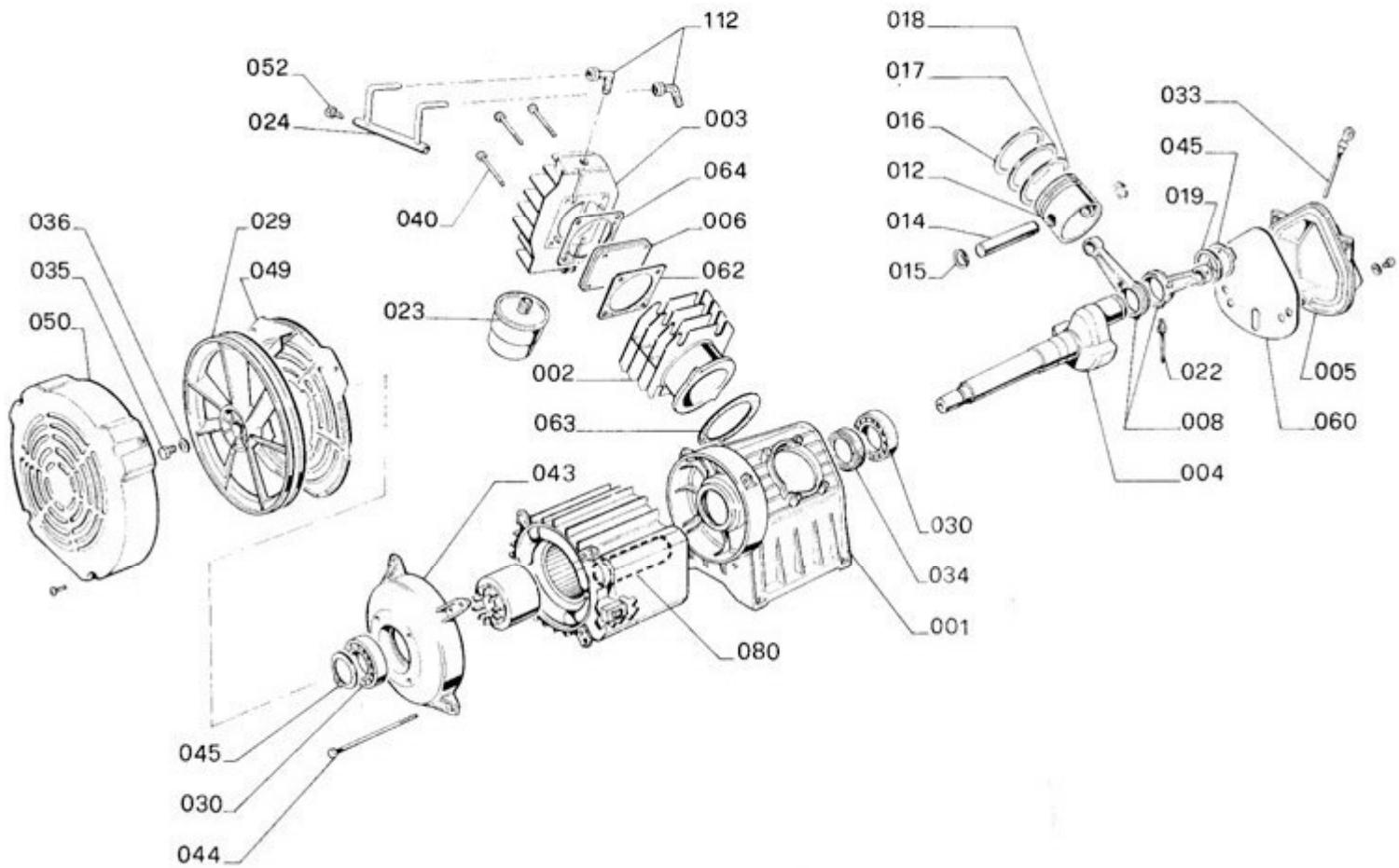




3BXA504STF020

DV4 400/10/24P

Pos	Component	MU	Multiplier
104	9083869	GRIP	PZ 1,0
105	9048072	CHECK VALVE	PZ 1,0
106	9412204	LINE COCK	PZ 1,0
107	9047079	CONDENSATE DRAIN COCK	PZ 1,0
108	9051314	PRESSURE REDUCER	PZ 1,0
109	9052099	PRESSURE GAUGE	PZ 1,0
109	9052108	PRESSURE GAUGE	PZ 1,0
110	9049165	RELIEF VALVE	PZ 1,0
112	9053663	NIPPLE/ELBOW	PZ 1,0
116	9038352	PLUG	PZ 1,0
117	9038684	KNOB	PZ 1,0
117	9038685	KNOB	PZ 1,0
118	9053042	5-WAY FITTING	PZ 1,0
127	9270046	RILSAN PIPE 4/6 BLK IT PA12_LC	MT 0,4
131	9063002	COMPLETE PRESSURE SWITCH	PZ 1,0
132	9065097	POWER CABLE	PZ 1,0
145	9046659	DELIVERY PIPE	PZ 1,0
200	3B00000	BARE PUMP	PZ 1,0
300	9420407	WHEELS/FEET MOUNTING KIT	PZ 1,0





3B00000

BARE PUMP

Pos	Component	MU	Multiplier
1	3N60100	CASING	PZ 1,0
2	3B30000	CYLINDER	PZ 2,0
3	1761401	HEAD	PZ 2,0
4	3N60200	SHAFT	PZ 1,0
5	3N60300	CASING COVER	PZ 1,0
6	0540051	VALVE HOLDER PLATE	PZ 2,0
8	3D10100	COMPLETE CON-ROD	PZ 1,0
8	3D10200	COMPLETE CON-ROD	PZ 1,0
12	1421100	LP PISTON	PZ 2,0
14	7921200	BP GUDGEON PIN	PZ 2,0
15	9140040	PIN RETAINING RING	PZ 4,0
16	\$31203990	PISTON RING AC/COO	PZ 2,0
17	\$31203970	PISTON RING ROS	PZ 2,0
18	\$31203950	PISTON RING ROF	PZ 2,0
22	9014006	OIL SCAVENGE TAB	PZ 1,0
23	7981000	AIR FILTER ASSEMBLY	PZ 2,0
24	9053662	MANIFOLD	PZ 1,0
29	2600100	FLYWHEEL	PZ 1,0
30	9170085	BEARING 6205 2RS	PZ 1,0
30	9170090	BEARING 6207	PZ 1,0
33	9024020	OIL PLUG	PZ 1,0
34	9163030	SEAL	PZ 1,0
36	9004008	WASHER FLYWHEEL	PZ 1,0
40	9101126	TIE-ROD	PZ 8,0
43	3N60400	SHIELD MOTOR	PZ 1,0
44	9067182	TIE-ROD	PZ 4,0
45	\$37607520	CIRCLIP AAE D25 UNI 7435 K2	PZ 1,0
47	3D62056	ROTOR	PZ 1,0
48	3D60056	WOUND STATOR	PZ 1,0
49	8356100	UPPER HOUSING	PZ 1,0
50	8356200	LOWER HOUSING	PZ 1,0
52	4101047	EXHAUST VALVE	PZ 1,0
60	3N50100	COVER SEAL	PZ 1,0
61	3B50200	CASING-CYLINDER SEAL	PZ 2,0
62	7350300	CYLINDER-PLATE SEAL	PZ 2,0
64	6750400	PLATE-HEAD SEAL	PZ 2,0
80	9612113	CONDENSER	PZ 1,0
112	9053005	NIPPLE/ELBOW	PZ 2,0
168	9612121	OVERLOAD CUTOUT	PZ 1,0