

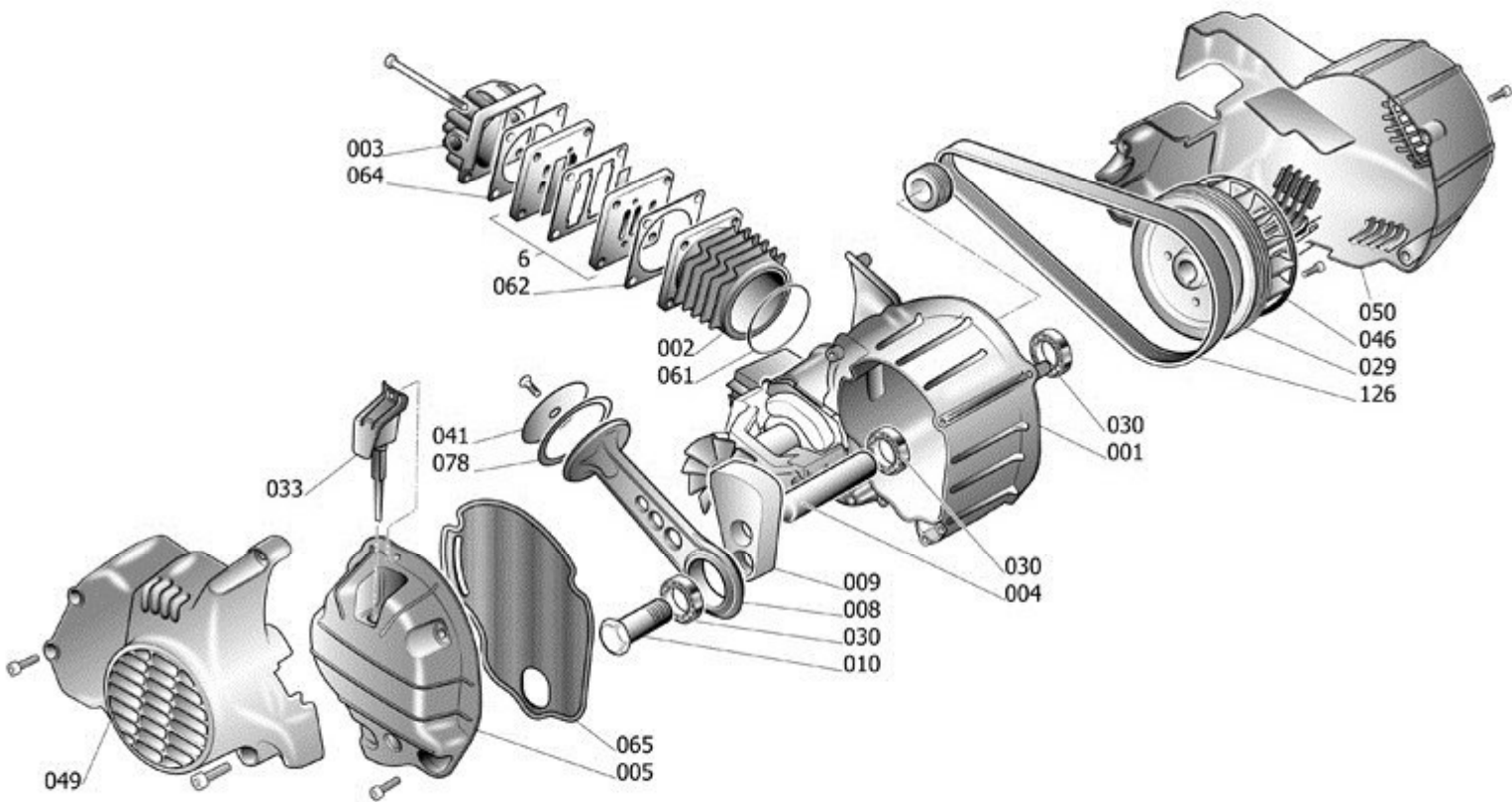


# HYBR404STF507

HY 227/10/5

Pos	Component	MU	Multiplier	
23	9054016	AIR FILTER ASSEMBLY	PZ	1,0
103	9038929	PIVOTING WHEEL/FOOT	PZ	4,0
105	9048119	CHECK VALVE	PZ	1,0
106	9047087	LINE COCK	PZ	1,0
107	9047078	CONDENSATE DRAIN COCK	PZ	1,0
108	9051309	PRESSURE REDUCER	PZ	1,0
109	9052202	PRESSURE GAUGE	PZ	1,0
109	9052203	PRESSURE GAUGE	PZ	1,0
110	9049152	RELIEF VALVE	PZ	1,0
117	9069116	KNOB	PZ	1,0
131	9063274	COMPLETE PRESSURE SWITCH	PZ	1,0
132	9065343	POWER CABLE	PZ	1,0
138	9050698	CLAMP	PZ	2,0
145	9043707	DELIVERY PIPE	PZ	1,0
164	9417577	FITTING BARB 90\$ 1/4" 6 LONG R	PZ	1,0
200	HY0000A	BARE PUMP	PZ	1,0
431	9069035	CONTROL PANEL	PZ	1,0
482	9045670	HOSE PIPE (ITALY) PAH-ROHS	MT	0,3
602	9064886	CONTROLLER	PZ	1,0

AHYBR





HY0000A

BARE PUMP

Pos	Component	MU	Multiplier
1	9417507 CASING	PZ	1,0
2	9417509SGL CYLINDER	PZ	1,0
3	9417505 HEAD	PZ	1,0
4	9417502 SHAFT	PZ	1,0
5	9417508 CASING COVER	PZ	1,0
6	0540051 VALVE HOLDER PLATE	PZ	1,0
8	A710110 COMPLETE CON-ROD	PZ	1,0
9	9417500 COUNTERWEIGHT	PZ	1,0
10	9417503 CRANKSHAFT PIN	PZ	1,0
29	9417504 FLYWHEEL	PZ	1,0
30	9170121 6302.2RS.C3.P6.V2.Z2.170\$.ROHS	PZ	2,0
30	9415531 6201.2RS.C3.P6.V2.Z2.170\$.ROHS	PZ	1,0
33	9069022 OIL PLUG	PZ	1,0
41	9416831 CON-ROD COVER	PZ	1,0
46	9069023 FAN	PZ	1,0
49	9069025 UPPER HOUSING	PZ	1,0
50	9069026 LOWER HOUSING	PZ	1,0
61	9040043 CASING-CYLINDER SEAL	PZ	1,0
62	9417501 CYLINDER-PLATE SEAL	PZ	1,0
64	6750400 PLATE-HEAD SEAL	PZ	1,0
65	9417506 COVER SEAL	PZ	1,0
77	9007015 REED VALVE	PZ	2,0
78	9040019 PISTON RING	PZ	1,0
112	9050674 NIPPLE/ELBOW	PZ	1,0
126	9075335 POLY V BELT	PZ	1,0