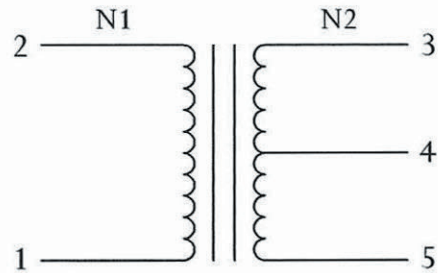
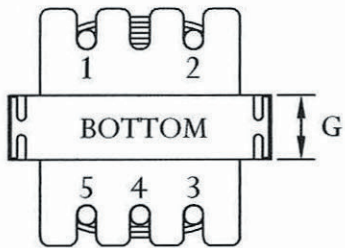
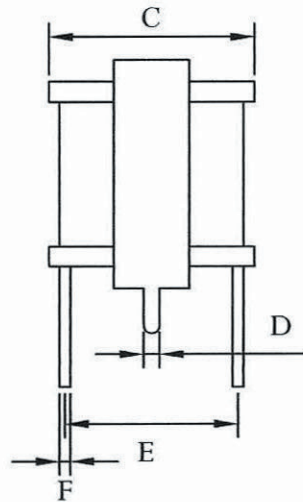
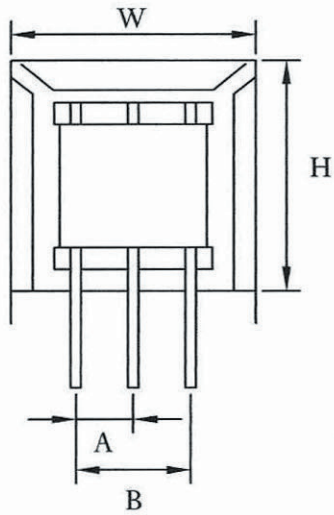


LT44

configuration and dimensions



	A	B	C	D	E	F	G	H	W
DIMENSION (mm)	3.0	6.0	16.0	2.0	16.0	0.5	7.2	16.0	20.0
TOLERANCE (mm)	0.5	0.5	1.0	0.5	0.5	0.1	1.0	1.0	1.0