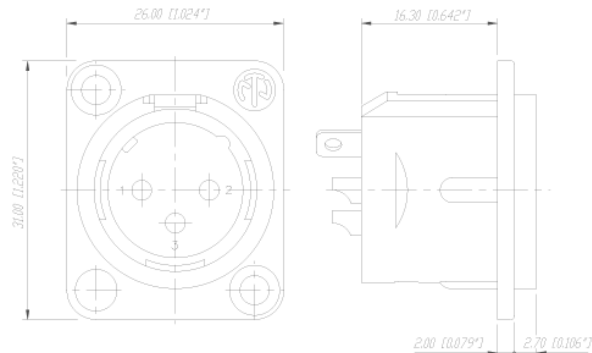


NC3MDL1-B

3 pole male receptacle. Nickel housing and gold contacts. Cups for wire soldering.



XLR Chassis Connectors / DL Series

Unified metal shell for male and female. RF-protected. Solder cups, or PCB terminations (4 and 5 pole only). UL recognized component.

TECHNICAL DATA

Electrical

Number of contacts: 3 - 7
Rated voltage: 50 V ac
Contact resistance: $\leq 5 \text{ m}\Omega$
Insulation resistance - initial: $> 2 \text{ G}\Omega$
- after damp heat test: $> 1 \text{ G}\Omega$ (IEC 68-2-30)
Dielectric strength: 1500 V dc

Mechanical

Lifetime: > 1000 mating cycles
Insertion / withdrawal force: $\leq 20 \text{ N}$
Retention method (Female versions only): - standard: latch lock
- '0' version: retention spring
Separating force: $\geq 20 \text{ N}$
Rated current:
3 pole: 16 A
4 pole: 10 A
5 and 6 pole: 7.5 A
7 pole: 5 A

AWG:

3 pole: 2.5 mm²/14 AWG
4 pole: 1.5 mm²/16 AWG
5 und 6 pole: 1.0 mm²/18 AWG
7 pole: 1.0 mm²/18 AWG

Capacitance between contacts

3 pole: $\leq 4 \text{ pF}$
4 pole: $\leq 7 \text{ pF}$
5 und 6 pole: $\leq 7 \text{ pF}$
7 pole: $\leq 9 \text{ pF}$

Materials

Shell: ZnAl4Cu1, gal Ni or black Cr plating
Insert: PA 6.6 30% GR (glass reinforced)
Contacts: - female (4-7pole) & male: CuZn39Pb3
Contact surface: gal 2 µm Ag or gal 0.2 µm Au hard alloy over 2 µm Ni
Latch lock & spring: CK 67 steel, treated

Environmental

Temperature range: -30° C to + 80° C
Flammability: UL 94HB
Solderability: complies with IEC 68-2-20

Compatibility:

PCB versions (4 & 5 pole):
horizontal PCB mounting, fastening by chassis mounting holes with M3 threads or by self tapping
PLASTITE®* screws with thread 2.9x1.06 (tri-rondular) direct to PCB.