



### Professional LED Dimmer module

VMB1LED

Dimmer suited for 12 or 24Vdc LEDs or LED strips

- Can be used stand alone with push buttons.
- Can be used with our Velbus system.

- ✓ 5A maximum output current
- ✓ Highly efficient Pulse Width Modulation
- ✓ Short circuit and thermal protected
- ✓ Standard 2 DIN rail modules wide
- ✓ Supply from 10 to 30Vdc

Different operation modes:

- Dimmer
- ON /OFF
- Timers can be set from 5s to 1 day
- Slow on or slow off dimming (or combined)

Perfect suited for Velleman LED strips:

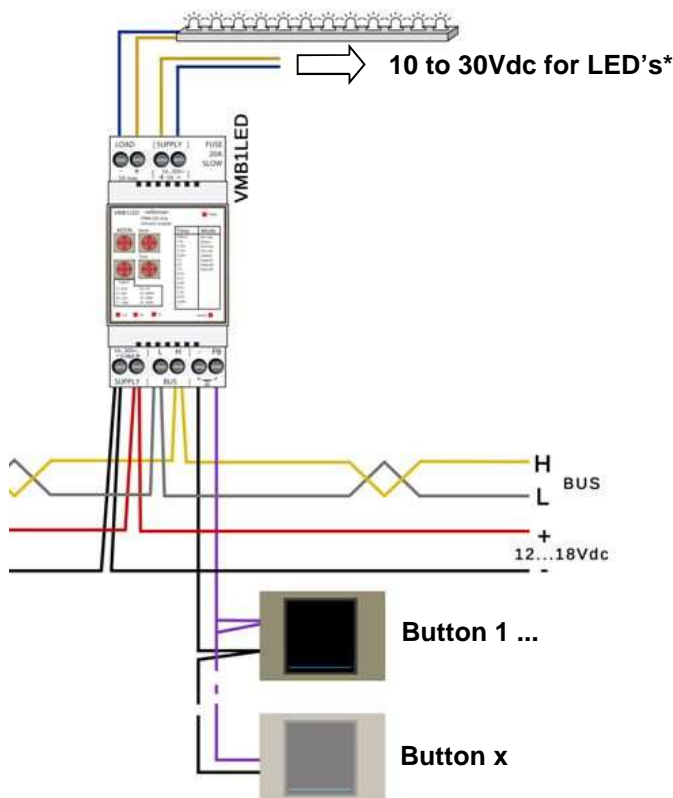
- CHLS2x (15cm version)
- CHLS3x (5m 300LED version)
- CHLS4x (5m 150LED version)
- (x= R, G, B, Y, W for colour)

[More technical info on www.vellemanprojects.com](http://www.vellemanprojects.com)  
[And on www.velbus.be](http://www.velbus.be)

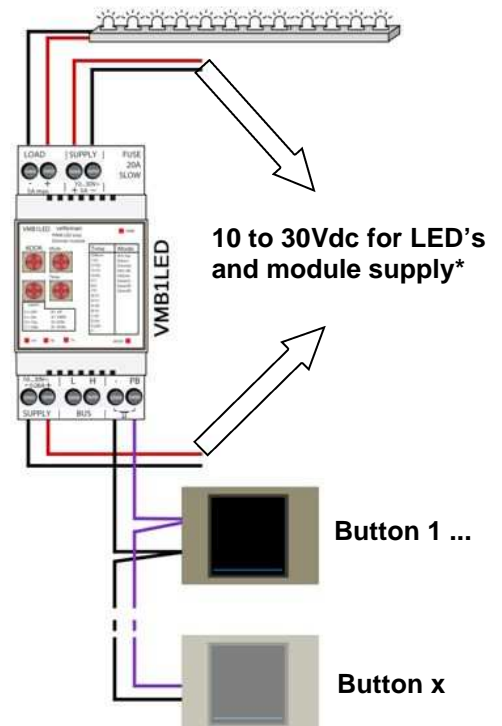


#### How-to connect examples:

Used with Velbus system and optional push buttons:



Used stand-alone with push buttons:



\*Note: Check LED voltage!