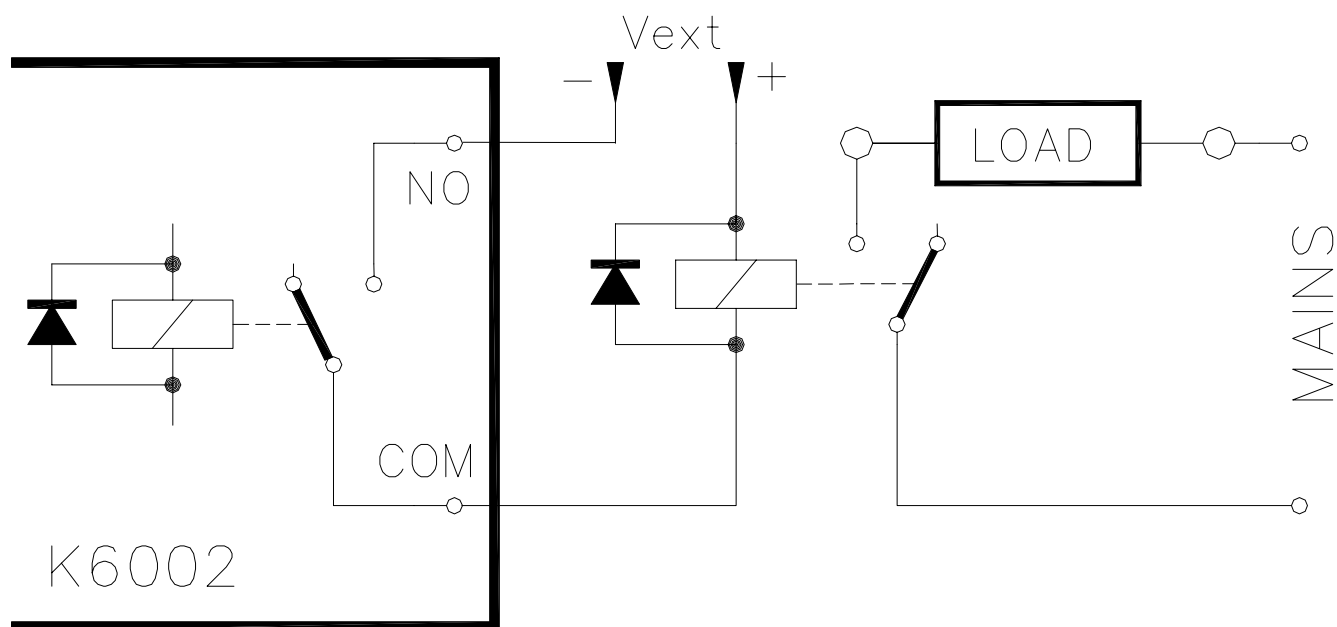


# Connection diagram of the temperature controller with additional DC-relay

K6002



*WITH ADDITIONAL DC-RELAY*

